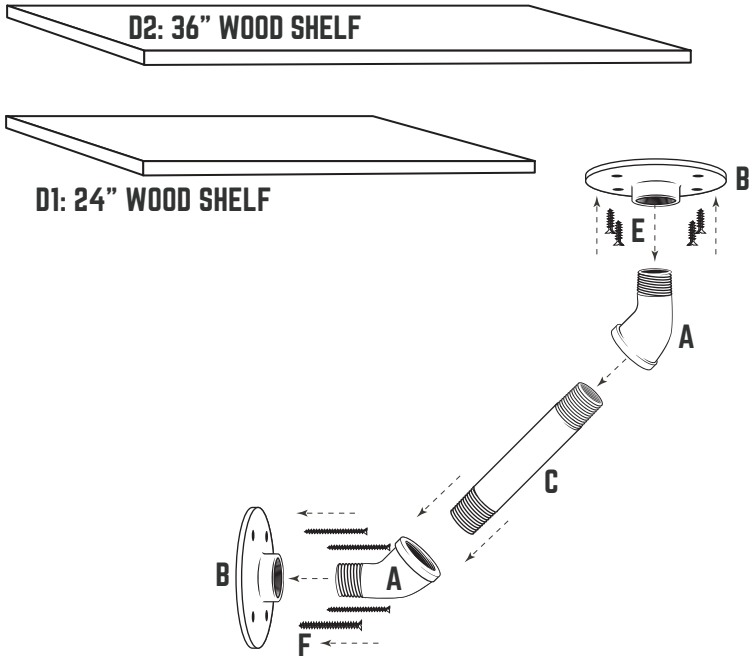


# 24"/36" SHELVES WITH ANGLED BRACKETS (2 SHELVES)

NEED HELP OR ADVICE ON PUTTING THIS KIT TOGETHER? MISSING PIECES? EMAIL US AT OUR WEBSITE FOR ANY QUESTIONS

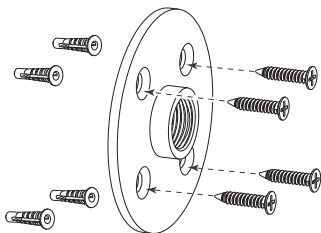


(FOR 24" SHELVES)

PART	DESCRIPTION	QTY
A	45° STREET ELBOW	8
B	FLANGES	8
C	4" NIPPLE	4
D1	24" WOOD SHELF	2
E	3/4" SCREWS	16
F	1 3/4" SCREWS & WALL ANCHORS	16

(FOR 36" SHELVES)

PART	DESCRIPTION	QTY
A	45° STREET ELBOW	12
B	FLANGES	12
C	4" NIPPLE	6
D2	36" WOOD SHELF	2
E	3/4" SCREWS	24
F	1 3/4" SCREWS & WALL ANCHORS	24



- Place flange against wall in desired location and mark holes with pencil
- Using stud finder, locate and mark wall stud if found
- A) If a wall stud is present, attach flange to wall with included screws
- b) If no wall stud is present:
  - Drill pilot holes in wall using 1/4" drill bit
  - Insert anchor fully into pilot hole using hammer and Phillips screwdriver as needed
  - Attach flange to wall using included screws



## HOW TO PREVENT PIPE CORROSION

Our industrial-grade black pipes and fittings are coated with a rust-preventive oil during manufacturing. For best results, **SEAL THE PIPES TO AVOID ANY RUSTING** after cleaning the kit.

### CLEAN AND SEAL INSTRUCTIONS:

- CLEAN:** Recommended supplies: regular degreasing dish soap, washcloths, gloves (optional)
1. Wash your pipes and fittings with warm water and dish soap until the oil is completely removed.
  2. Wipe the pipes with a dry washcloth and wait until the pipes are completely dry.

**IMPORTANT: THE PIPES MUST BE COMPLETELY DRY BEFORE YOU START THE SEALING PROCESS.**

### SEAL:

**IF USING POLYURETHANE SPRAY:** Spray each dry pipe and fitting with a polyurethane matte or satin finishing spray and let it dry before assembling the kit.

**IF USING FINISHING WAX:** Coat each dry pipe with a finishing wax. Wait for 20 minutes, then polish the pipe with a dry washcloth by wiping them down. Faster wiping will result in a shinier finish.