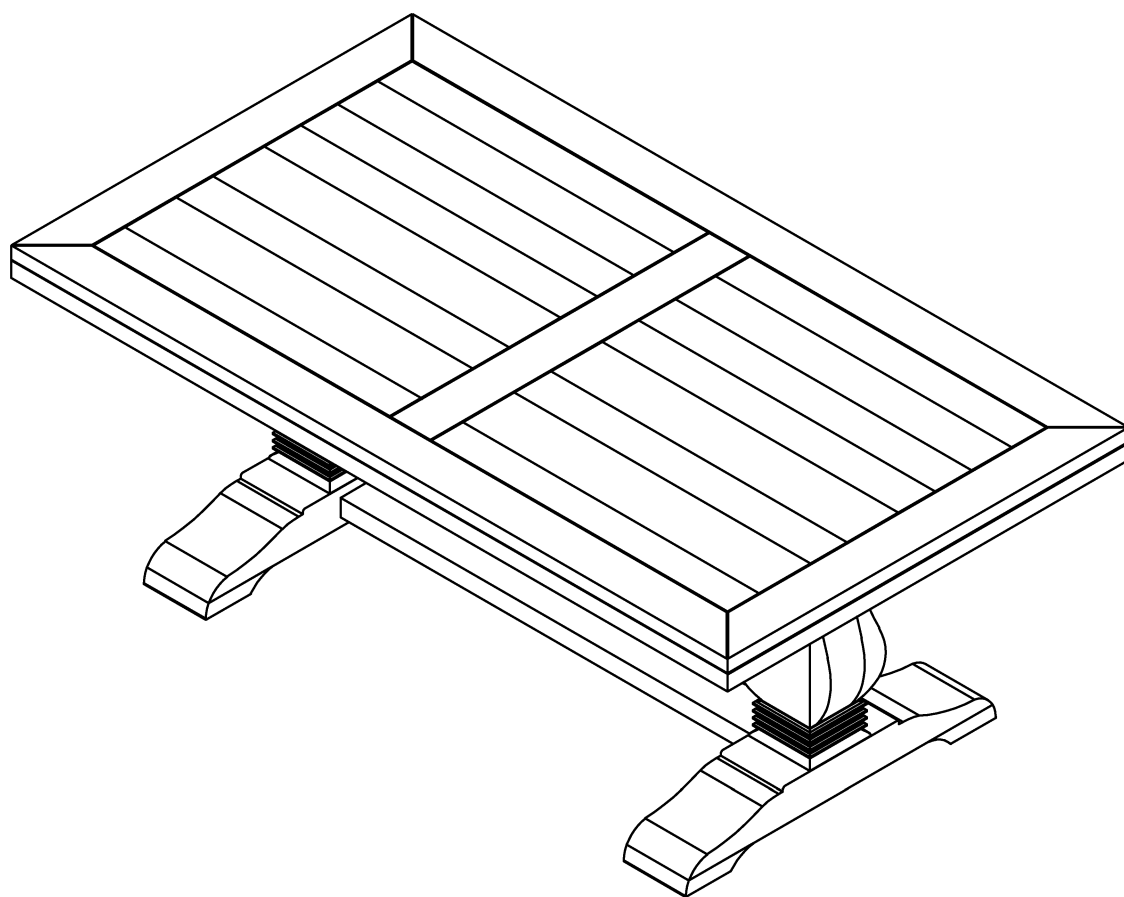
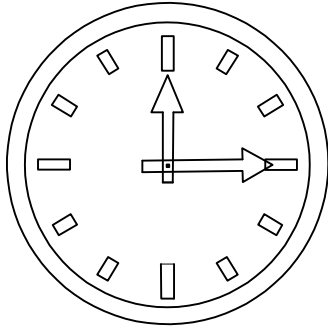
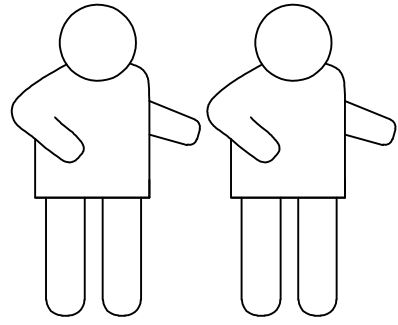


Assembly Instructions

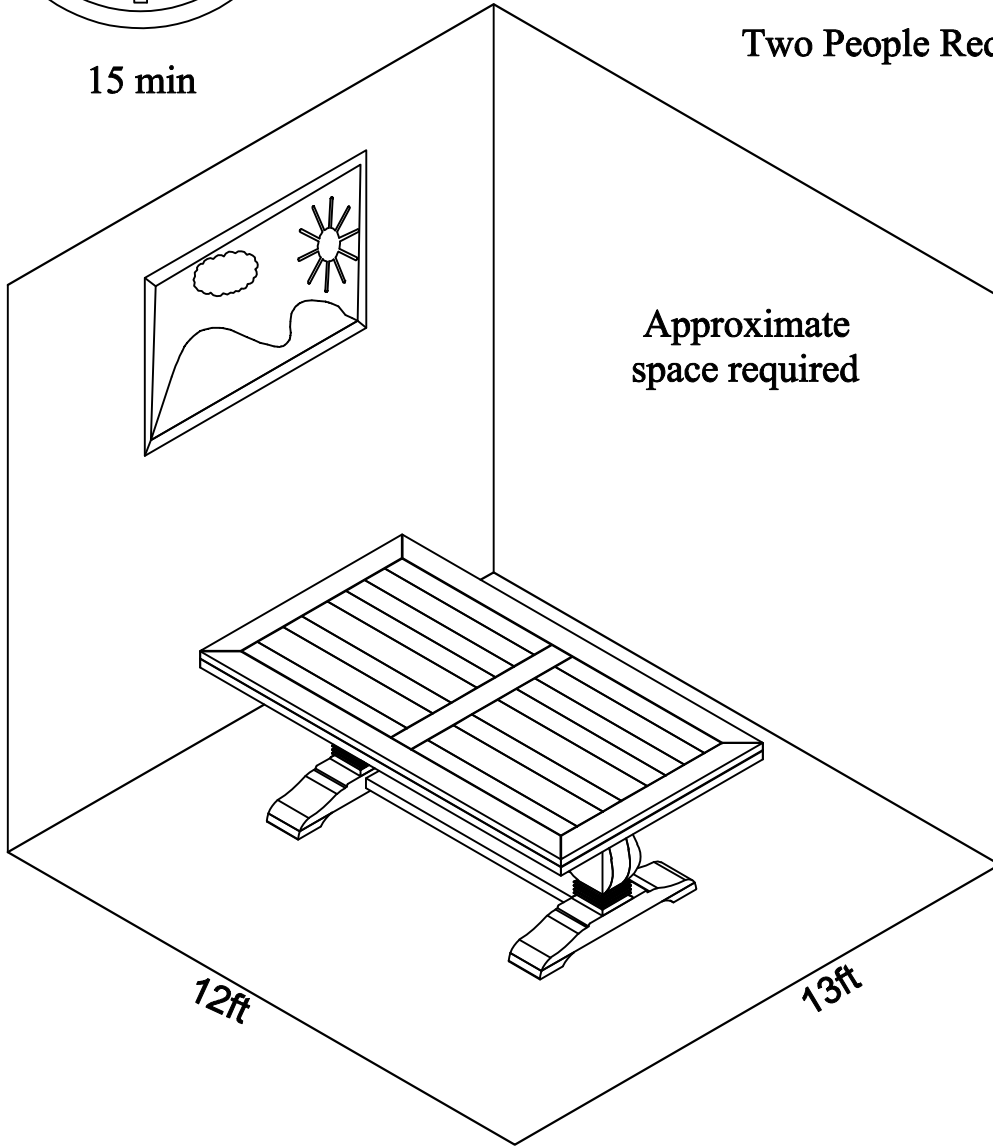




15 min



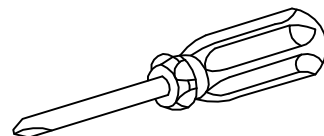
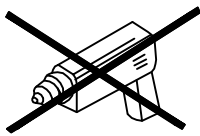
Two People Required



Approximate
space required

12ft

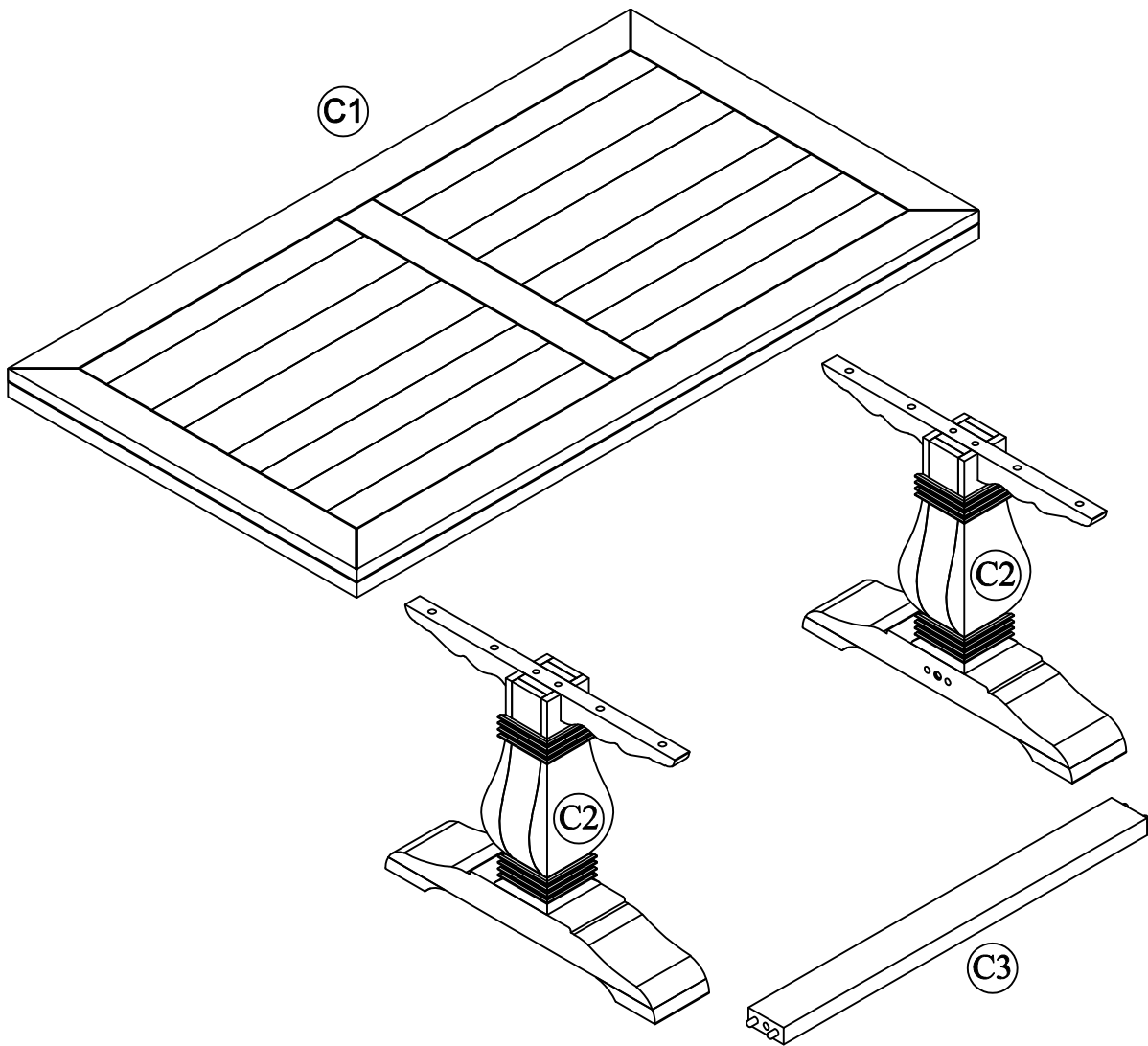
13ft



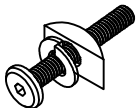


Phillips Head

PARTS INCLUDED:

- (C1) Table Top X 1
- (C2) Pedestal Base X 2
- (C3) Connecting Bar X 1

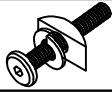


Hardware Pack

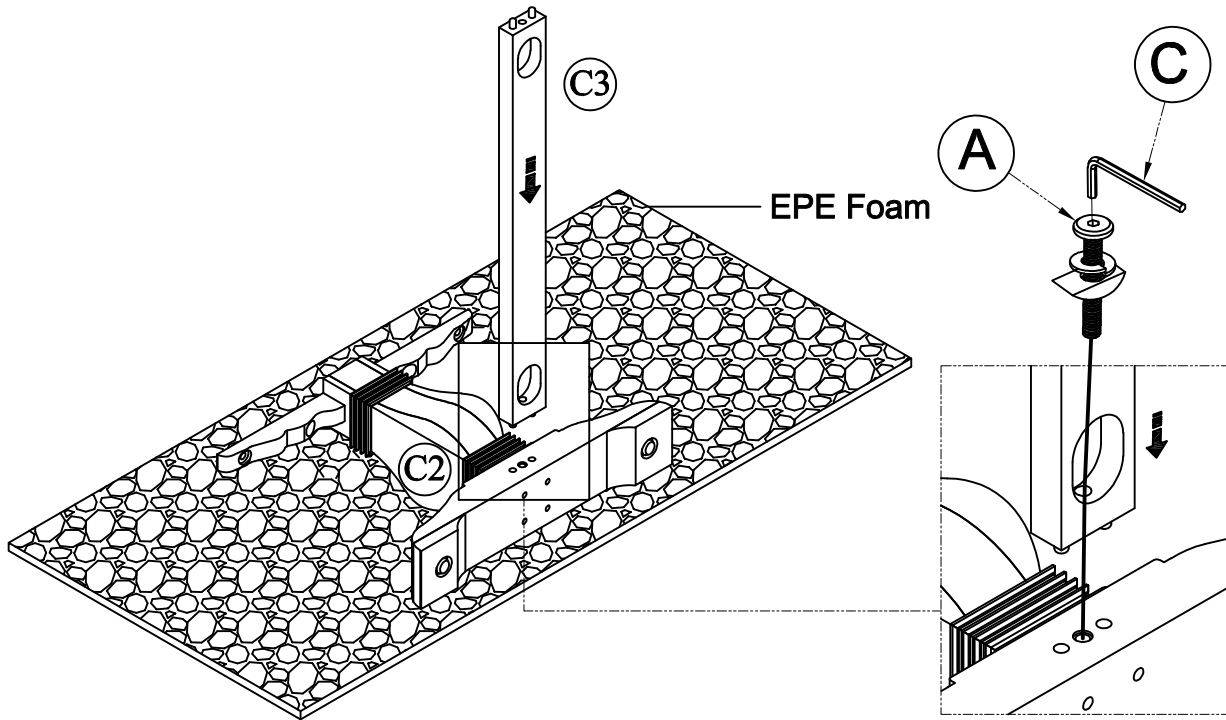
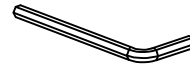
<p>A</p>  <p>Ø8x60 (mm) : 2pcs</p>	<p>B</p>  <p>Ø8x40 (mm) : 8pcs</p>	<p>C</p>  <p>Ø4 : 1 pc</p>
--	--	--

1

A x 1



C x 1

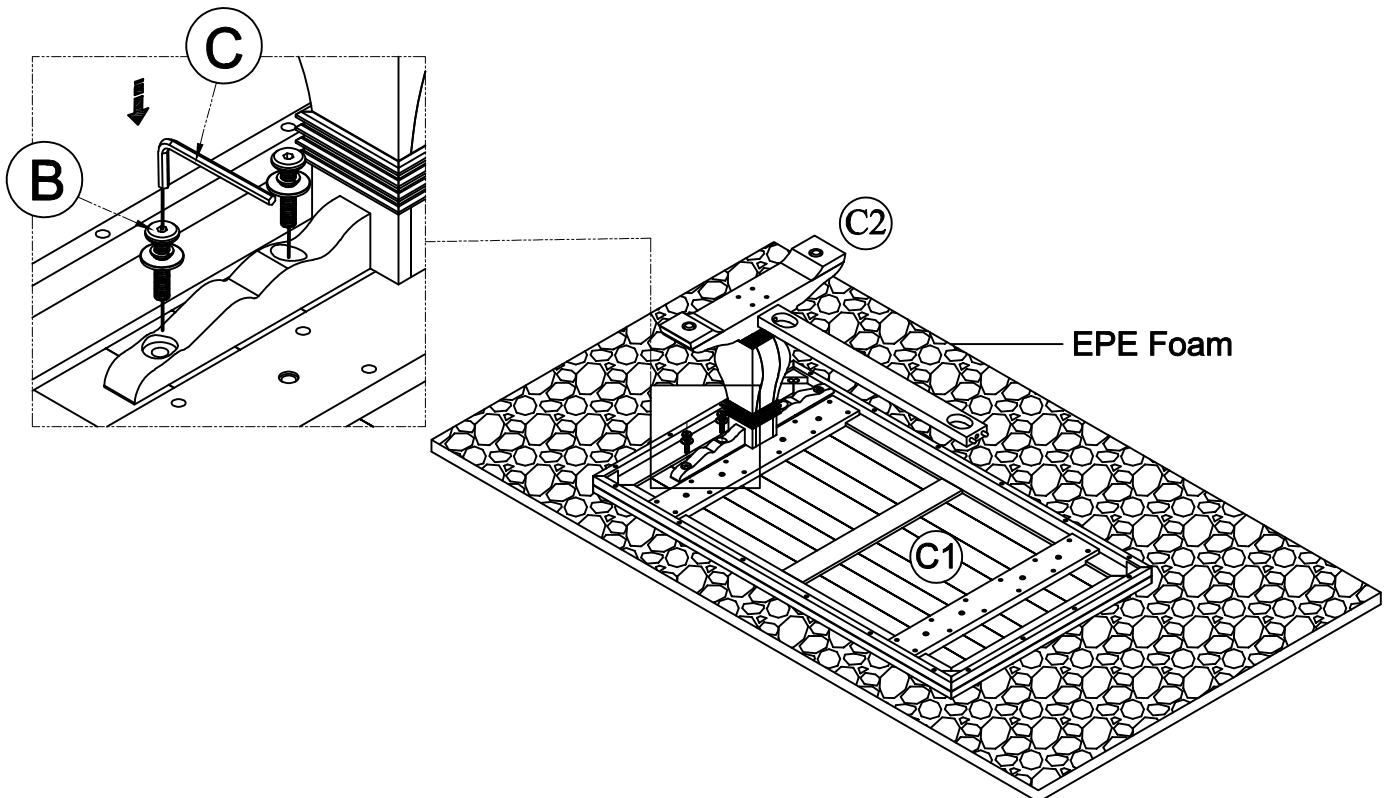
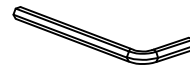


2

B x 4



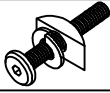
C x 1



Please lay Top (C1) on the EPE foam to avoid scratches and damage

3

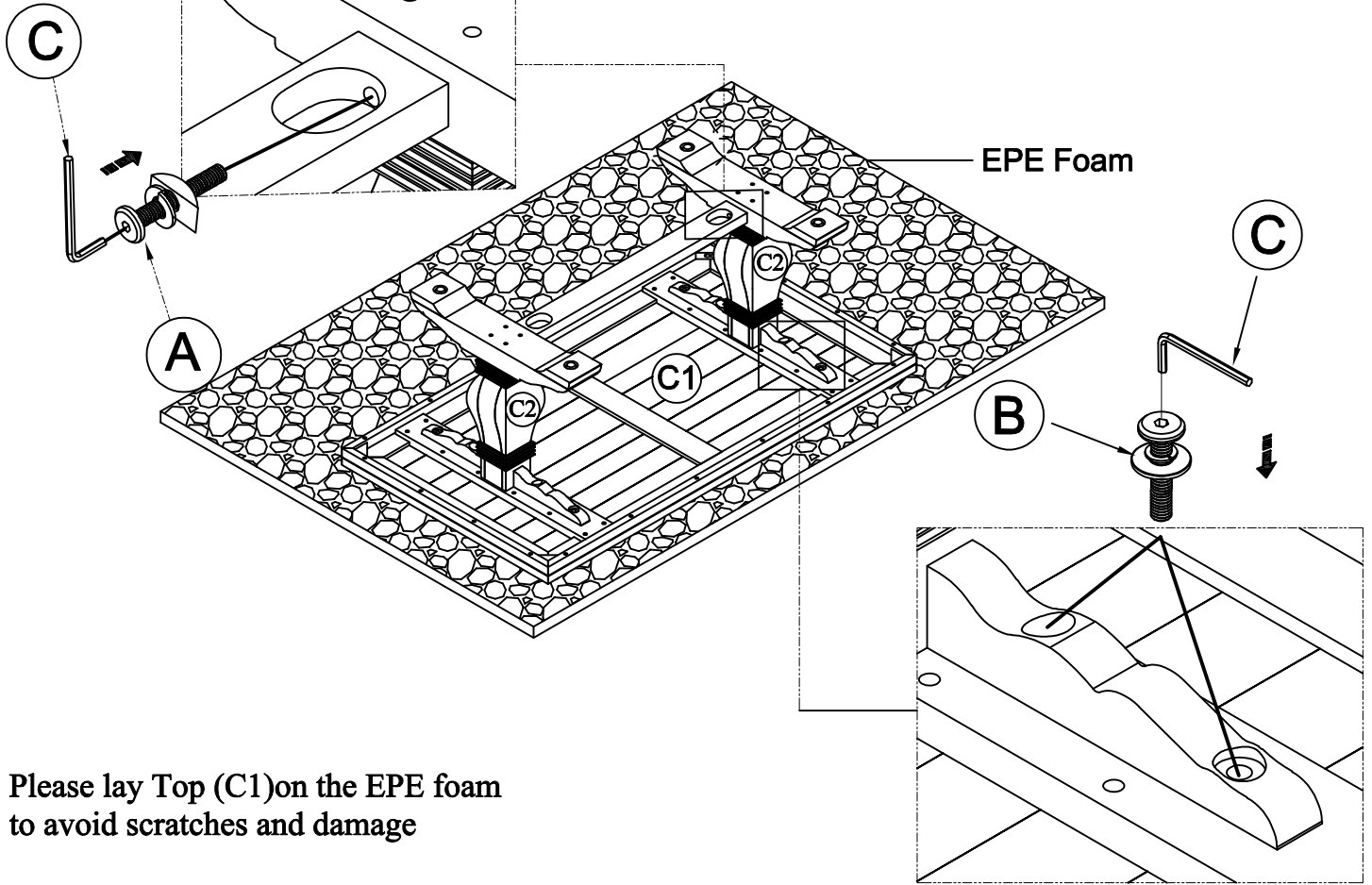
A x 1



B x 4



C x 1



4

