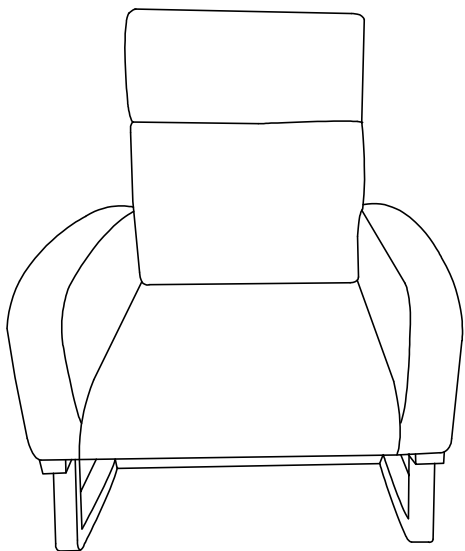
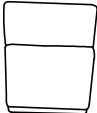

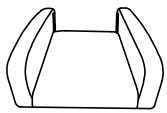
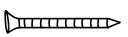
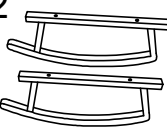
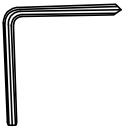


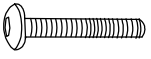
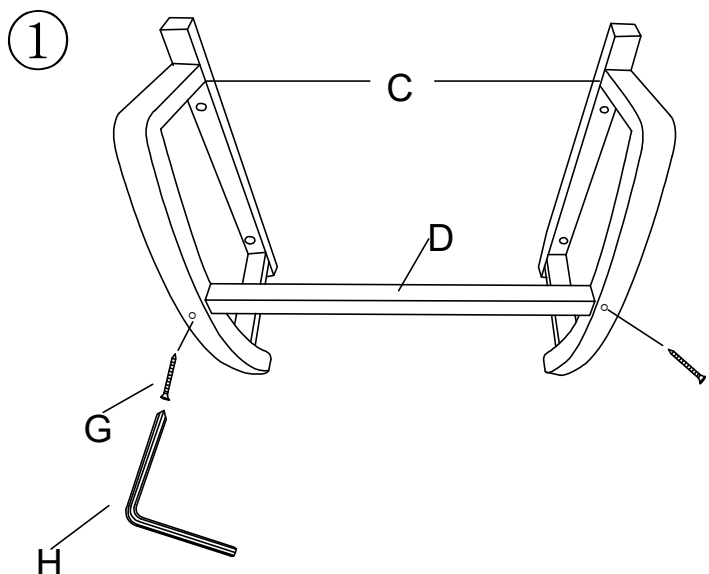


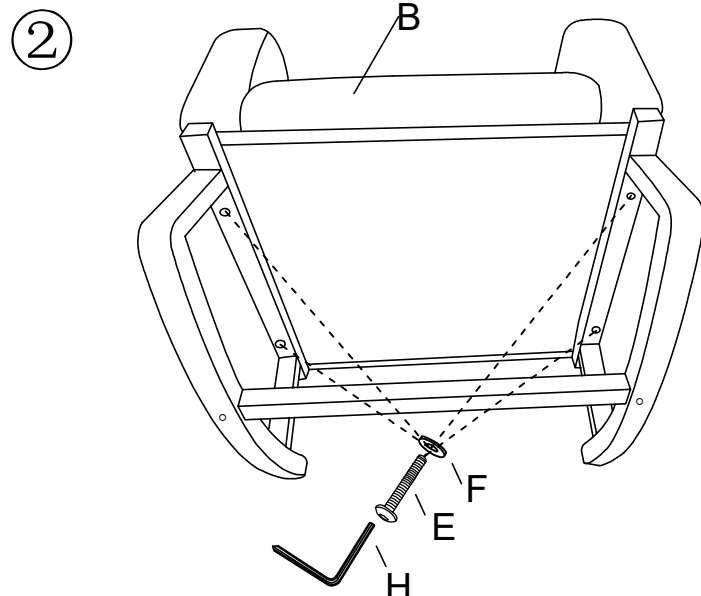
ASSEMBLY INSTRUCTION



| | |
|--|--|
| Ax1  | Fx4  |
| Bx1  | Gx2  |
| Cx2  | Hx1  |
| Dx1  | Jx2  |
| Ex4  | |



Please rotate all the screws to 60% firstly, after insert all screws, then fix them to 100%



Please rotate all the screws to 60% firstly, after insert all screws, then fix them to 100%

