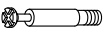








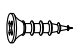






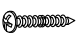
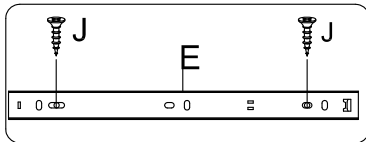
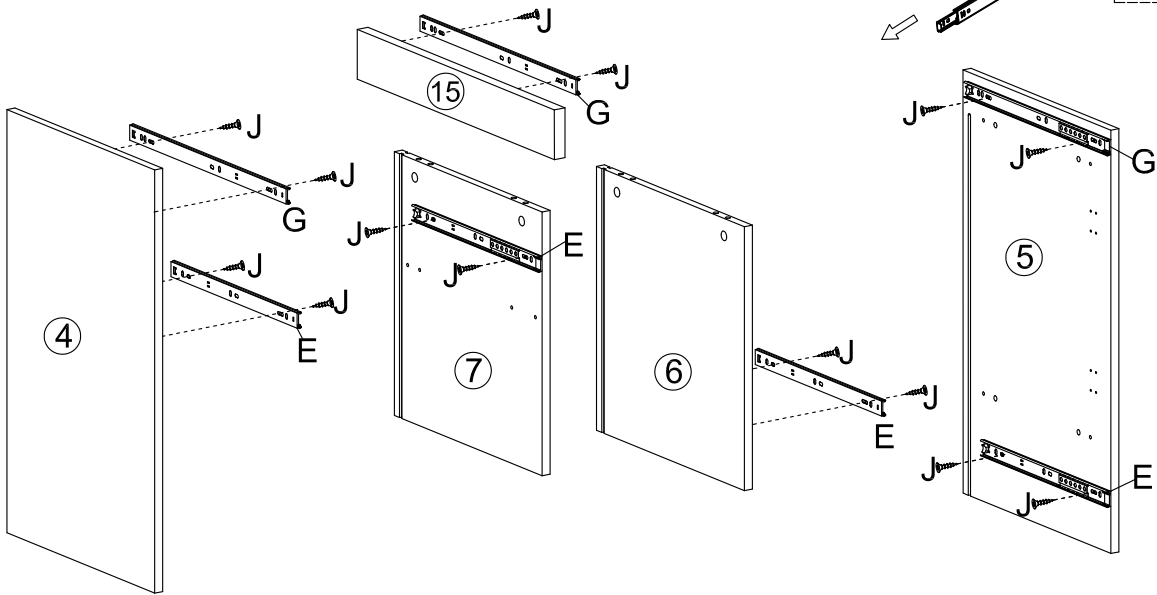
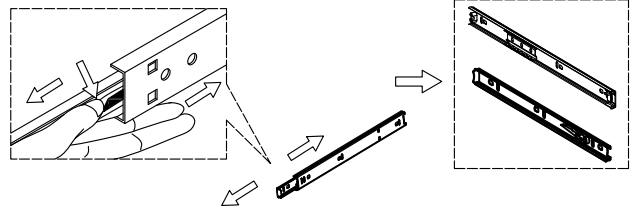
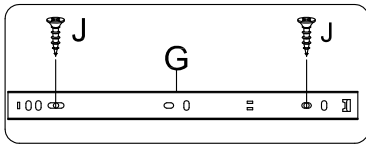


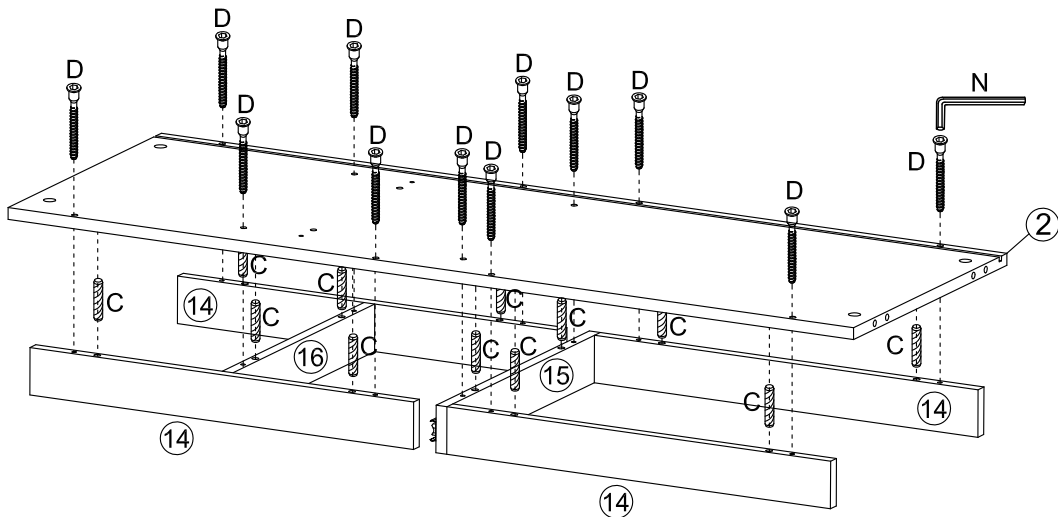
A	x48	B	x48	C	x32	D	x20	E	x4	F	x4	G	x3	H	x3
															
M6*35mm		ø15mm		ø8*30mm		M7*50mm		340mm		340mm		390mm		390mm	
I	x12	J	x74	K	x4	L	x8	M	x20	N	x1	O	x2	P	x2
															
ø4*35mm		ø3.5*14mm								M4					
Q	x2														
															
ø4*45mm															

1



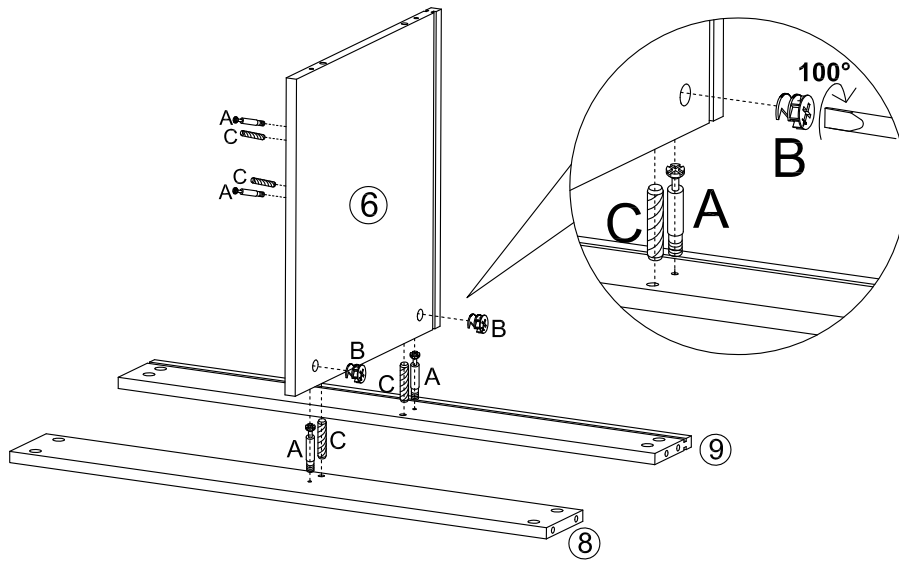
E	×4	G	×3	J	×14
340mm		390mm		ø3.5*14mm	

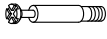
2





C	×12	D	×12	N	×1
ø8*30mm		M7*50mm		M4	

3

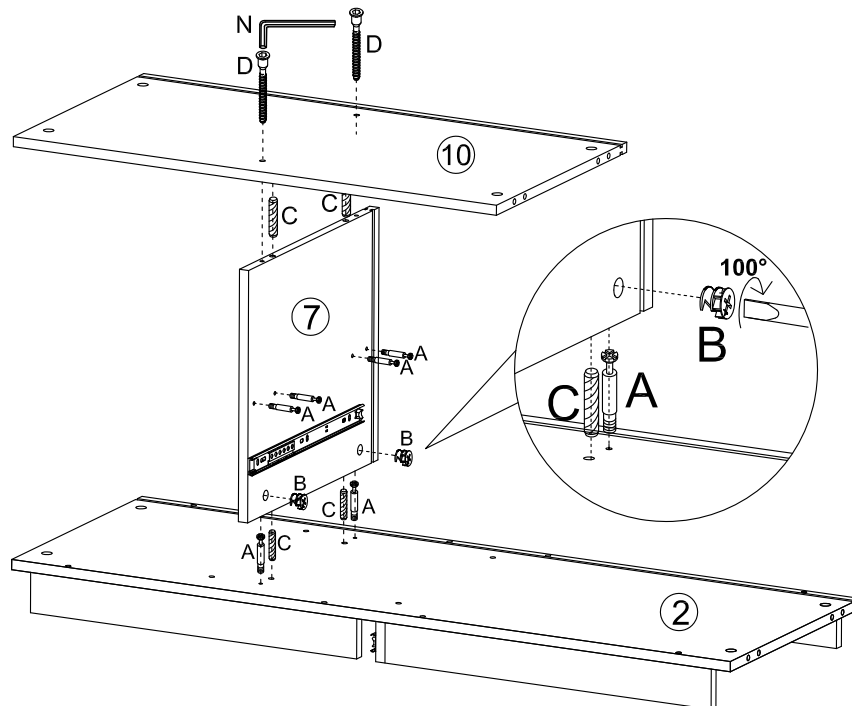


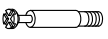
A	x4
	
M6*35mm	


B	x2
	
φ15mm	


C	x4
	
φ8*30mm	


4




A	x6
	
M6*35mm	

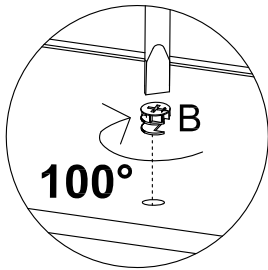
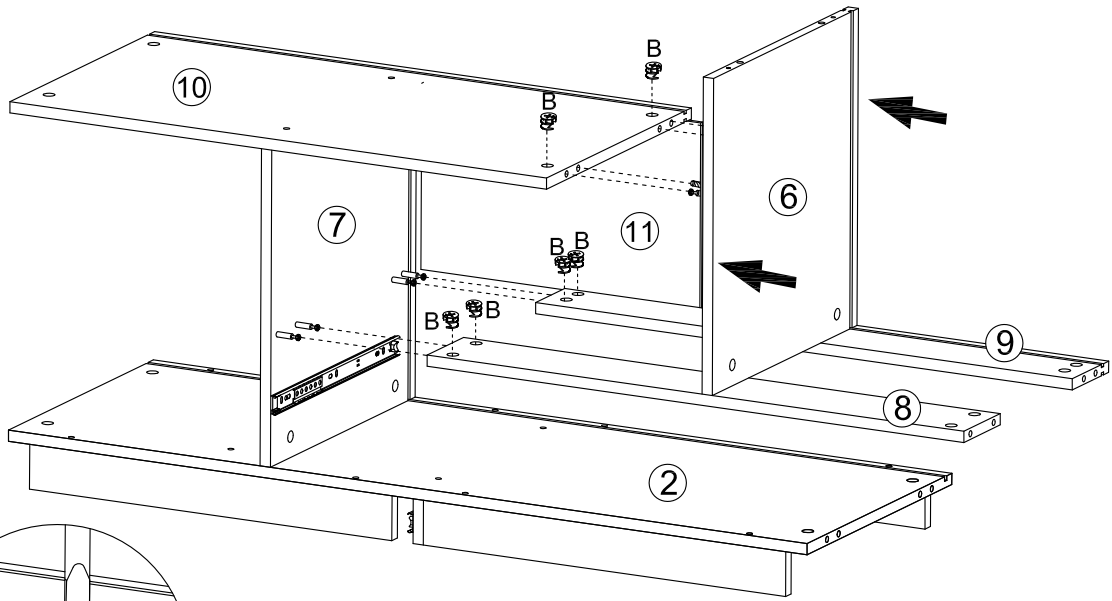
B	x2
	
φ15mm	


C	x4
	
φ8*30mm	

D	x2
	
M7*50mm	

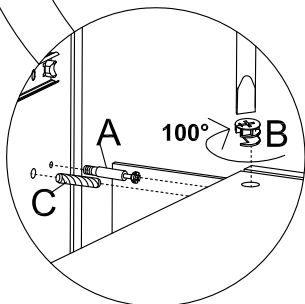
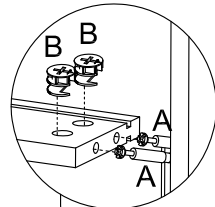
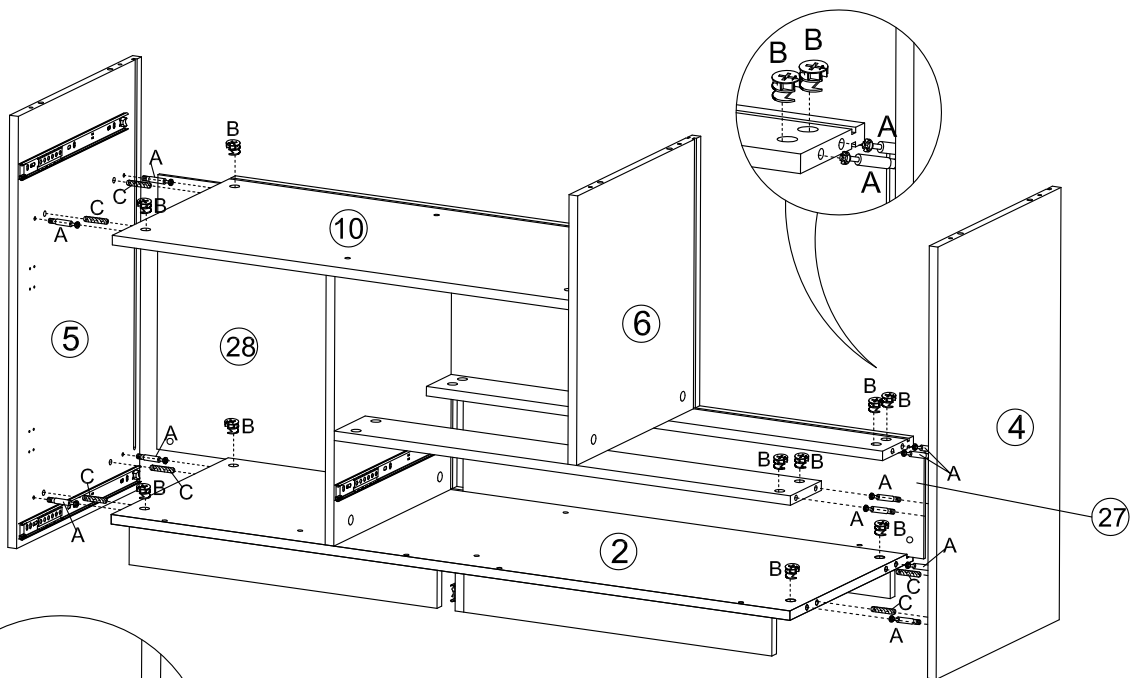
N	x1
	
M4	

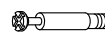
5





B	×6
	
φ15mm	

6

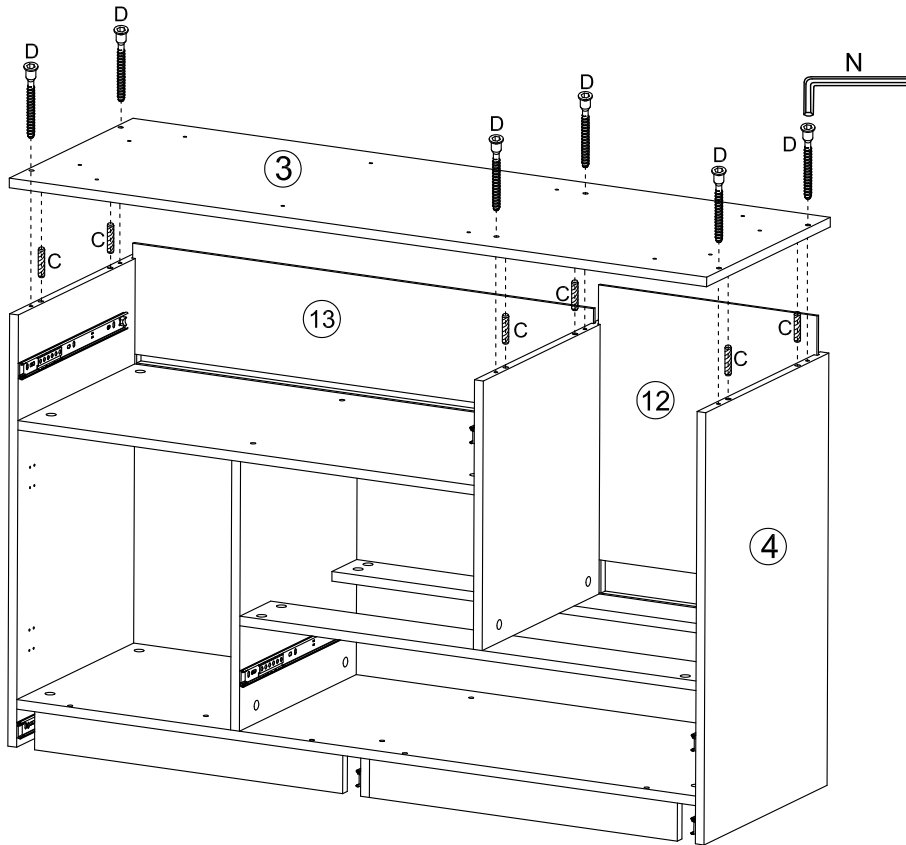


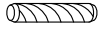
A	×10
	
M6*35mm	


B	×10
	
φ15mm	


C	×6
	
φ8*30mm	

7

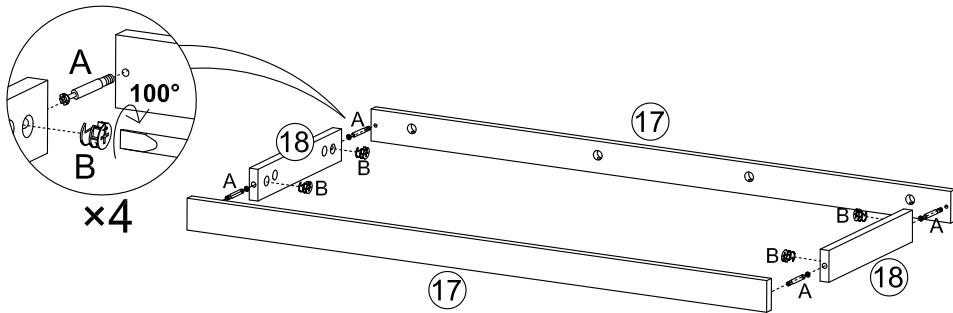
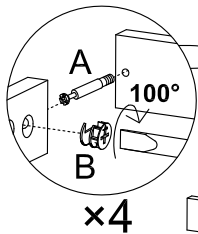
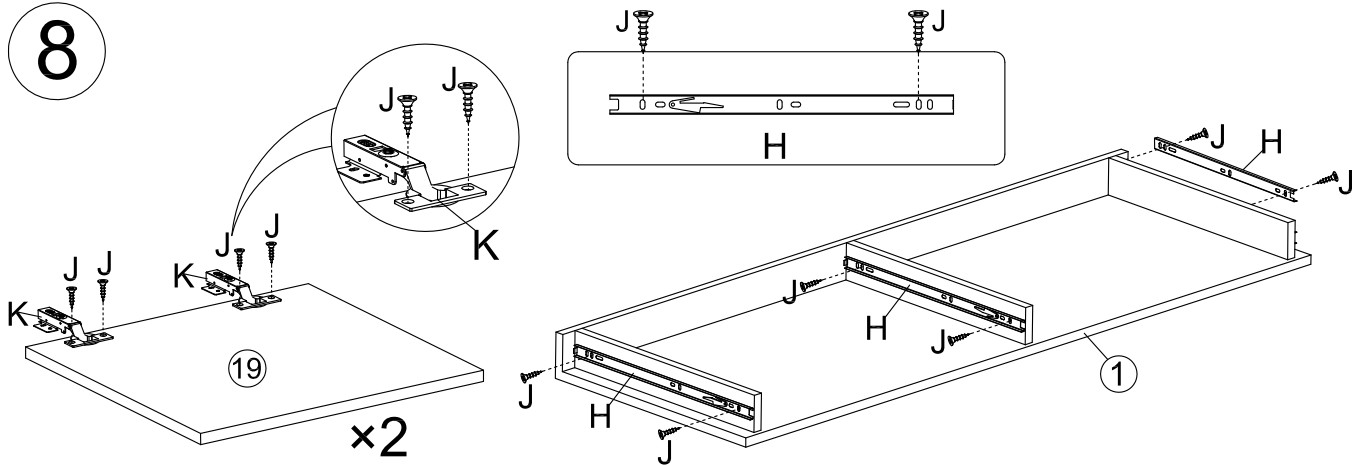


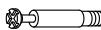
C	×6
 ø8*30mm	


D	×6
 M7*50mm	


N	×1
 M4	


8




A	×4
 M6*35mm	

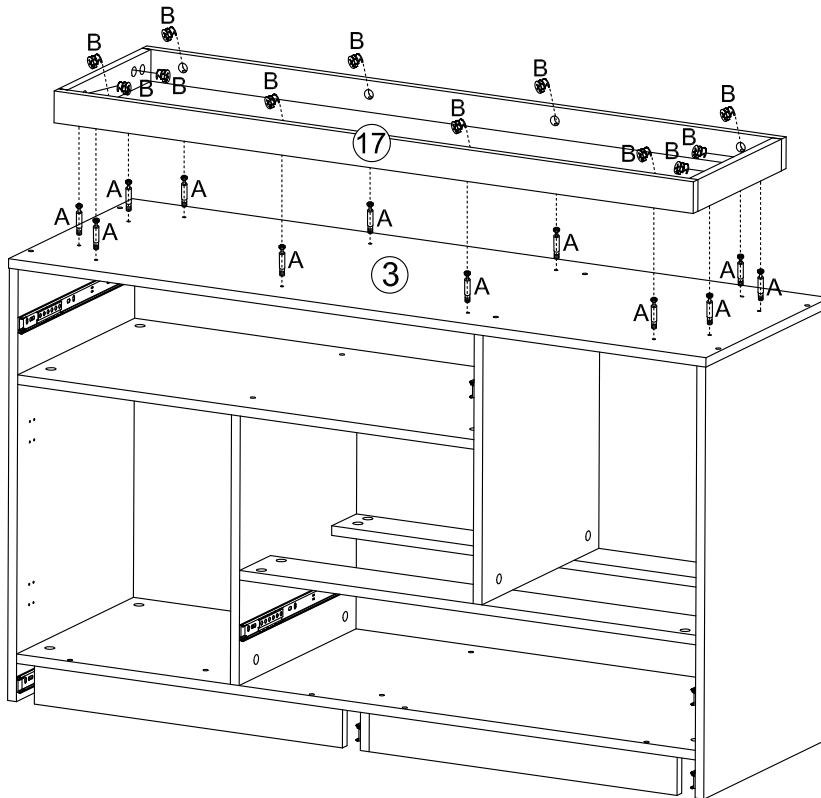
B	×4
 ø15mm	

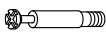
H	×3
 390mm	


J	×14
 ø3.5*14mm	

K	×4
	

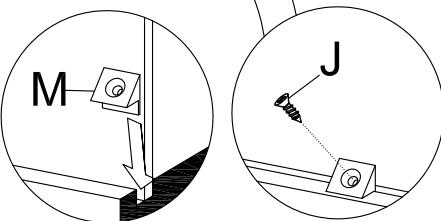
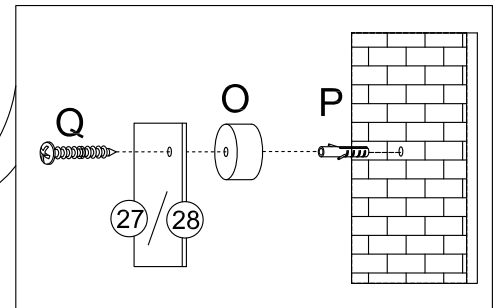
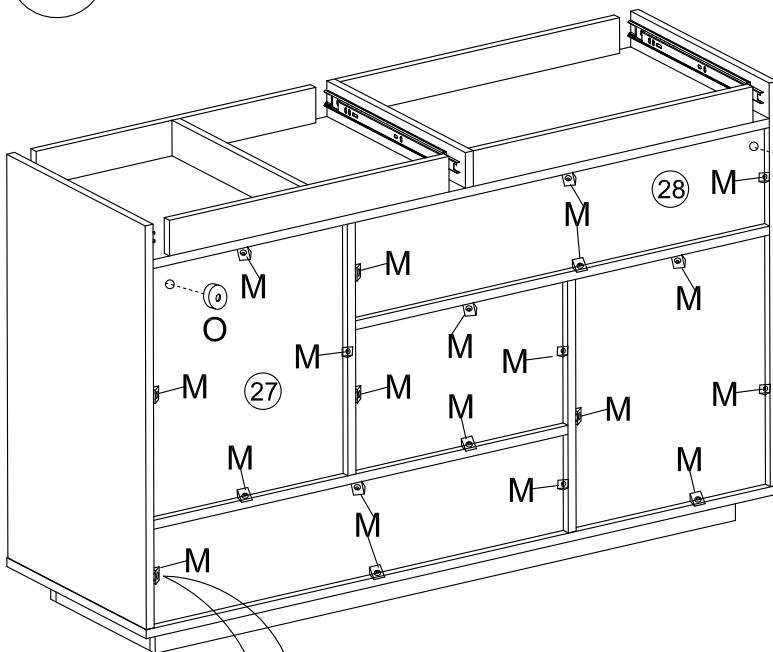
9





A	×12
	
M6*35mm	


B	×12
	
ø15mm	

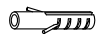
10




J	×20
	
ø3.5*14mm	

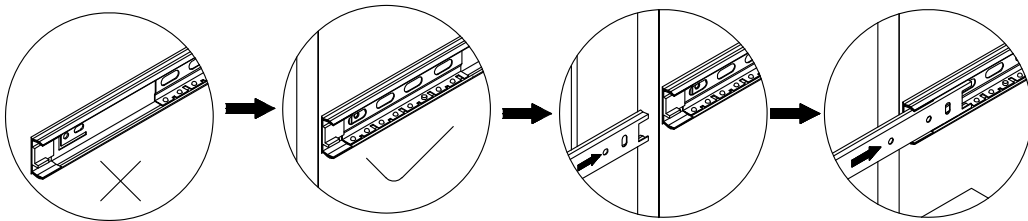
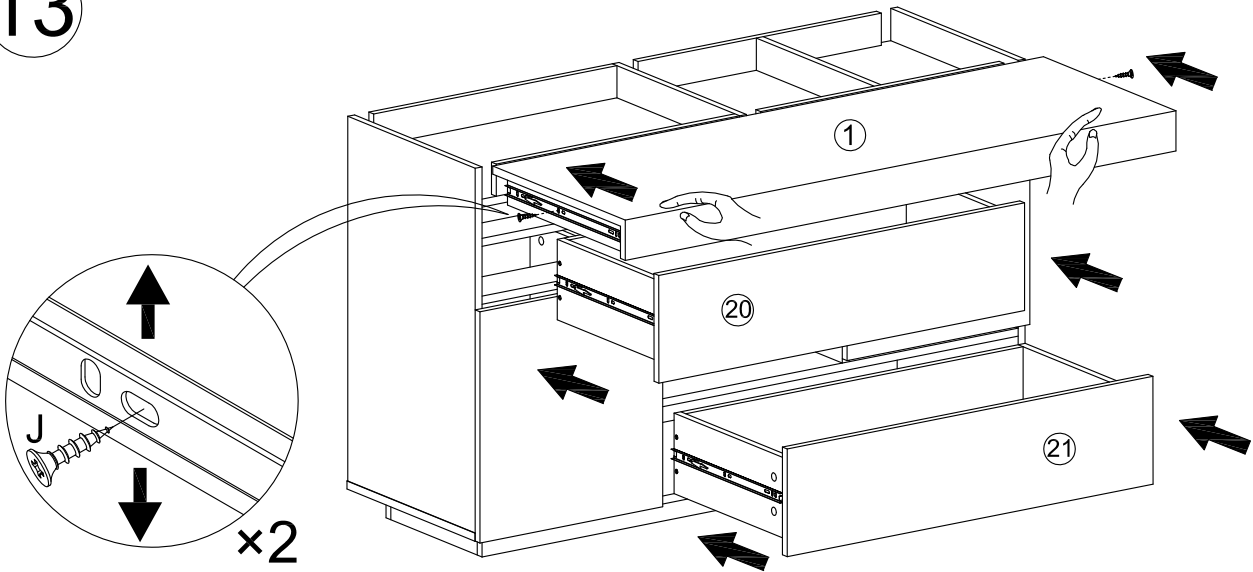
M	×20
	

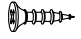
O	×2
	

P	×2
	

Q	×2
	
ø4*45mm	

13



J	x2
	
ø3.5*14mm	

14

