

ASSEMBLY INSTRUCTIONS



Fine Furniture for every stage of life

ASSEMBLY INSTRUCTIONS

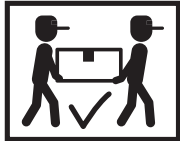
ASSEMBLY TIPS:

1. Remove hardware from box and sort by size.
2. Please check to see that all hardware and parts are present prior to start of assembly.
3. Please follow attached instructions in the same sequence as numbered to assure fast & easy assembly.



WARNING!



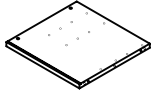
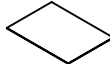
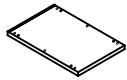

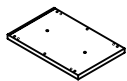

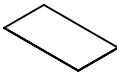



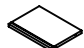
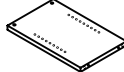


1. Don't attempt to repair or modify parts that are broken or defective. Please contact the store immediately.
2. This product is for home use only and not intended for commercial establishments.



ASSEMBLY TIME

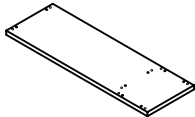
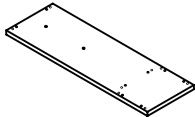
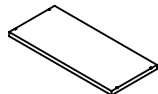
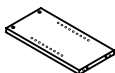
80 MINUTES


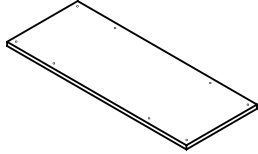
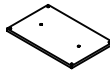
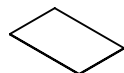
PARTS IDENTIFICATION

A	LARGE LEFT SIDE PANEL		1 PC	I	LARGE RIGHT DRAWER SIDE PANEL		1 PC
B	LARGE RIGHT SIDE PANEL		1 PC	J	SMALL DRAWER BOTTOM PANEL		2 PCS
C	SMALL BOTTOM PANEL		1 PC	K	SMALL DRAWER FRONT PANEL		2 PCS
D	TOP DRAWER PANEL		1 PC	L	SMALL DRAWER BACK PANEL		2 PCS
E	BACK PANEL		1 PC	M	SMALL LEFT DRAWER SIDE PANEL		2 PCS
F	LARGE DRAWER FRONT PANEL		1 PC	N	SMALL RIGHT DRAWER SIDE PANEL		2 PCS
G	LARGE DRAWER BACK PANEL		1 PC	O	SMALL LEFT SIDE PANEL		1 PC
H	LARGE LEFT DRAWER SIDE PANEL		1 PC	P	SMALL RIGHT SIDE PANEL		1 PC

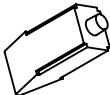

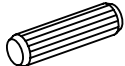

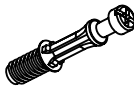






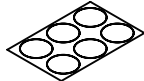



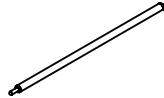

NOTE:

Phillips head screw driver is required in the assembly process; however, manufacturer does not provide this item.

Q	LARGE BOTTOM PANEL		1 PC
R	MIDDLE TOP PANEL		1 PC
S	LARGE ADJUSTABLE PANEL		1 PC
T	DIVIDER PANEL		2 PCS

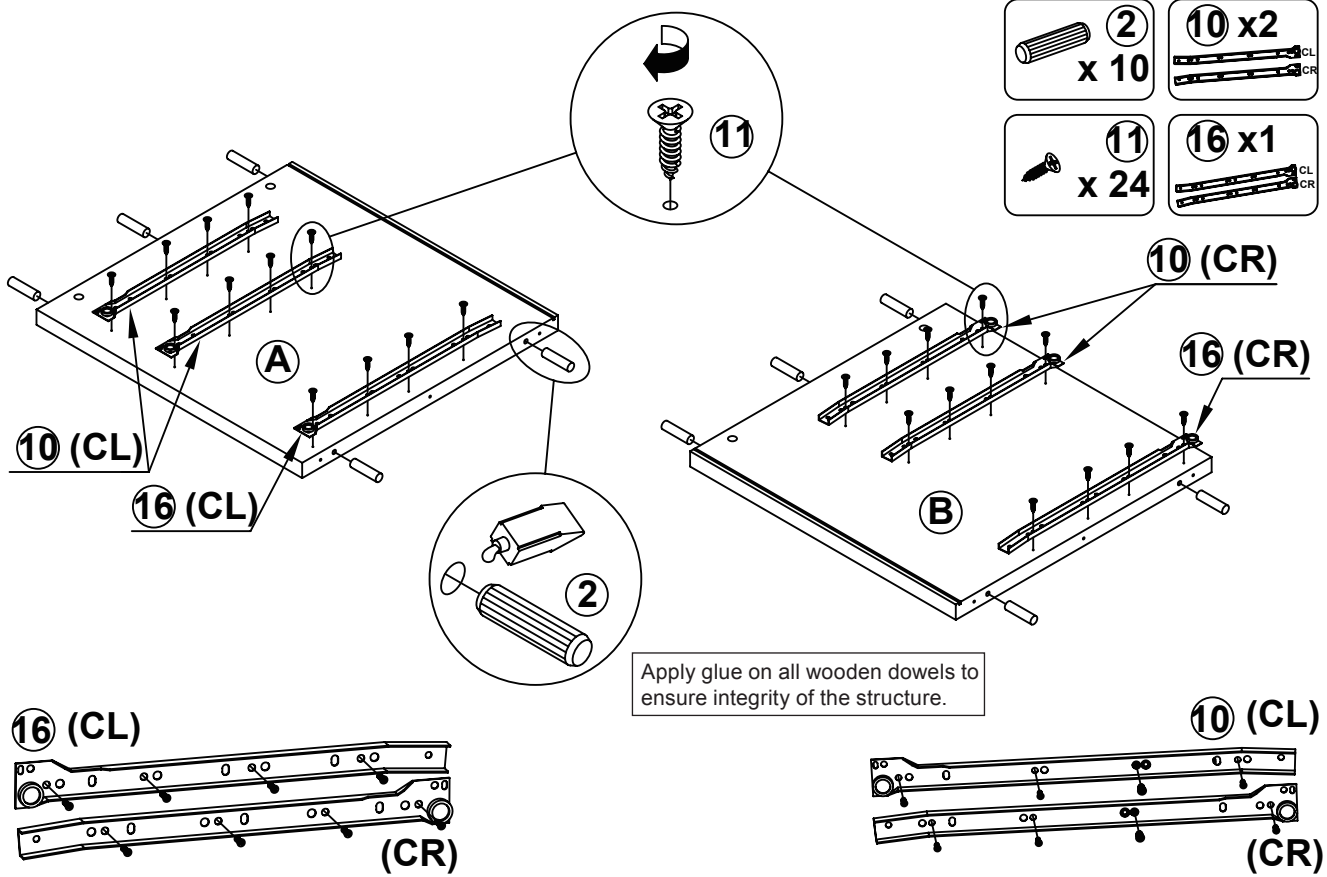
U	SMALL ADJUSTABLE PANEL		2 PCS
V	LARGE TOP PANEL		1 PC
A1	LARGE TOP PANEL PARTITION BOARDS		2 PCS
B1	LARGE DRAWER BOTTOM PANEL		1 PC

Z HARDWARE IDENTIFICATION

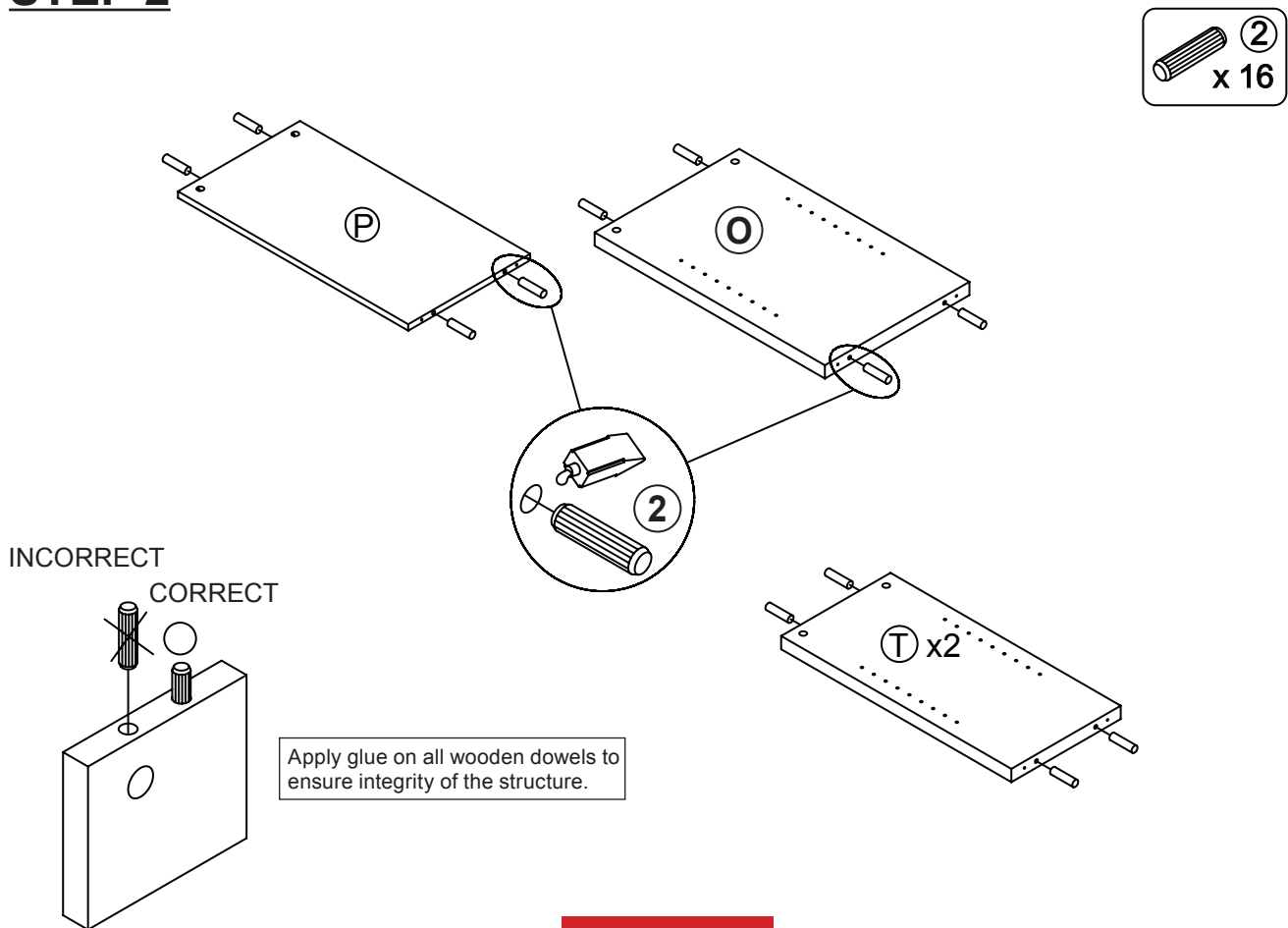
NO	DESCRIPTION	FIGURE	Q'TY	NO	DESCRIPTION	FIGURE	Q'TY
1	GLUE 40g		1 PC	10	SAMLL RAIL L = 400mm WHT		2 SET
2	WOODEN DOWEL Ø 8x30mm		34 PCS	11	SHORT SCREW Ø 3x12mm SR		42 PCS
3	CAM BOLT Ø 7x35.5mm SR		18 PCS	12	FOOT 50x50x18mm		9 PCS
4	CAM LOCK Ø 15x12mm SR		18 PCS	13	SCREW FOR FOOT Ø 5x23mm BLK		18 PCS
5	LONG SCREW Ø 4.3x35mm SR		20 PCS	14	SHORT BOLT M6x42mm SR		4 PCS
6	LONG BOLT Ø 9.5x55mm FOR BOTTOM PANEL SR		14 PCS	15	STICKER Ø 20mm		3 PCS
7	PIN Ø 4.9x8mm SR		12 PCS	16	LARGE RAIL L = 450mm WHT		1 SET
8	HANDLE L= 120mm		3 PCS	17	IRON BAR Ø 9.5x289.5mm SR		2 PCS
9	HANDLE BOLT Ø 4x28mm SR		6 PCS				

Z8,Z9,Z10,Z12,Z16,Z17 not included in blister packaging.

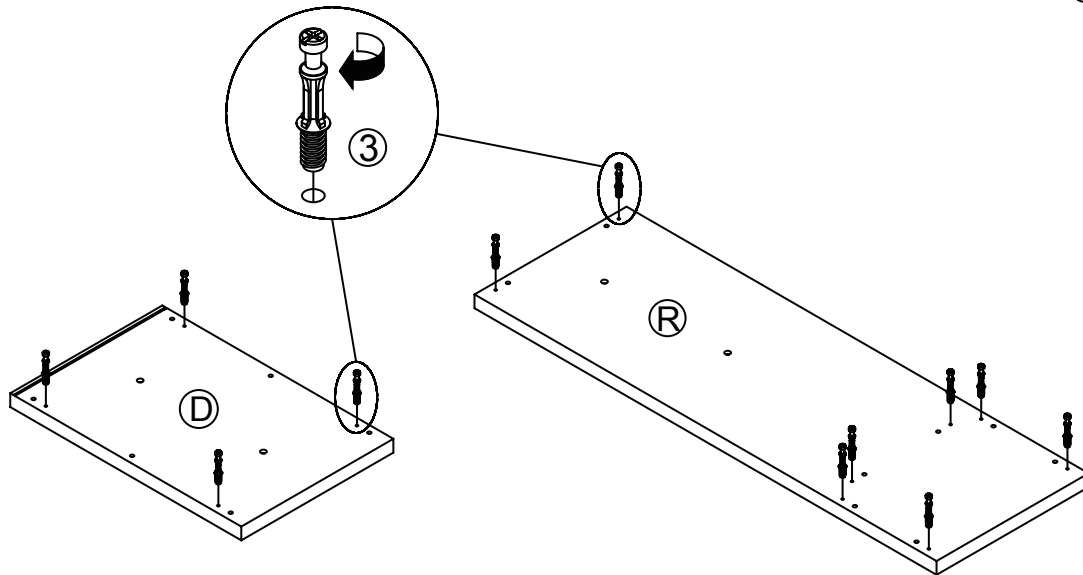
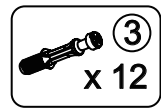
STEP 1



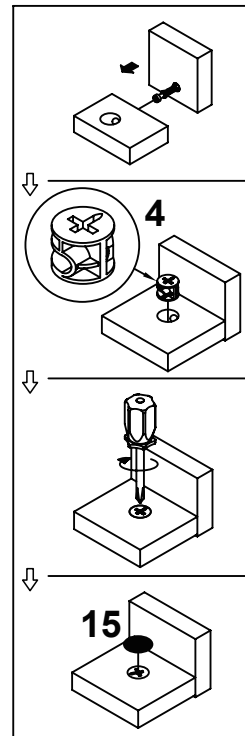
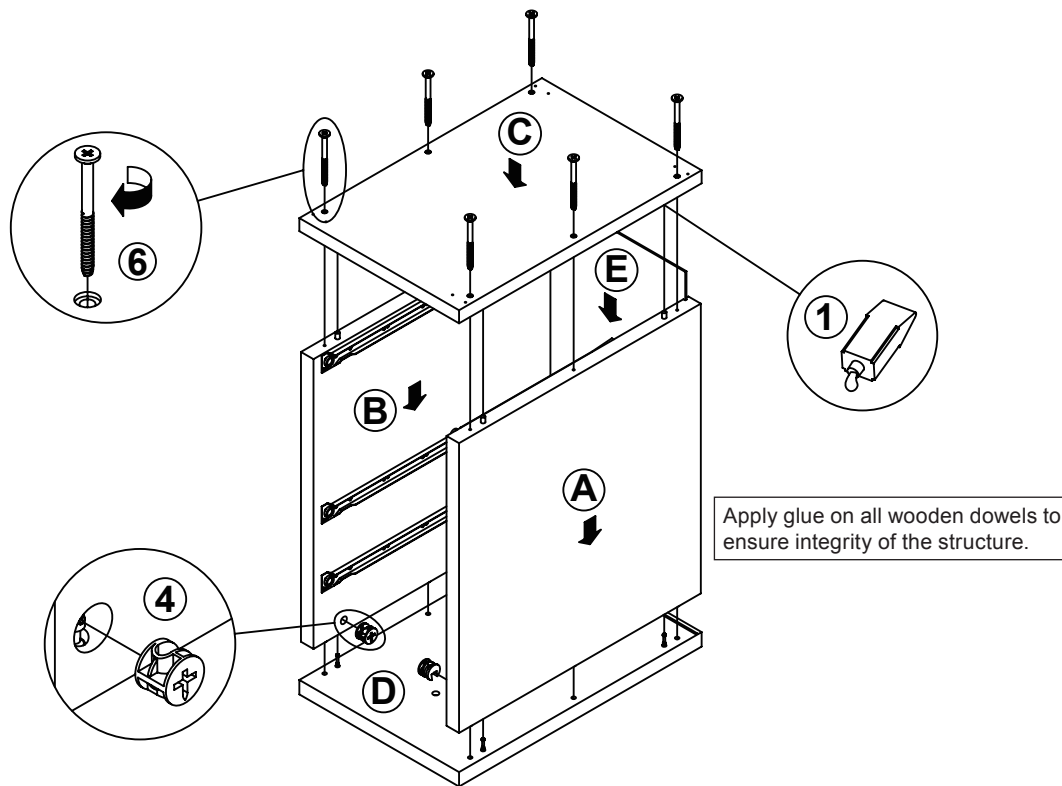
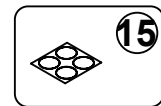
STEP 2



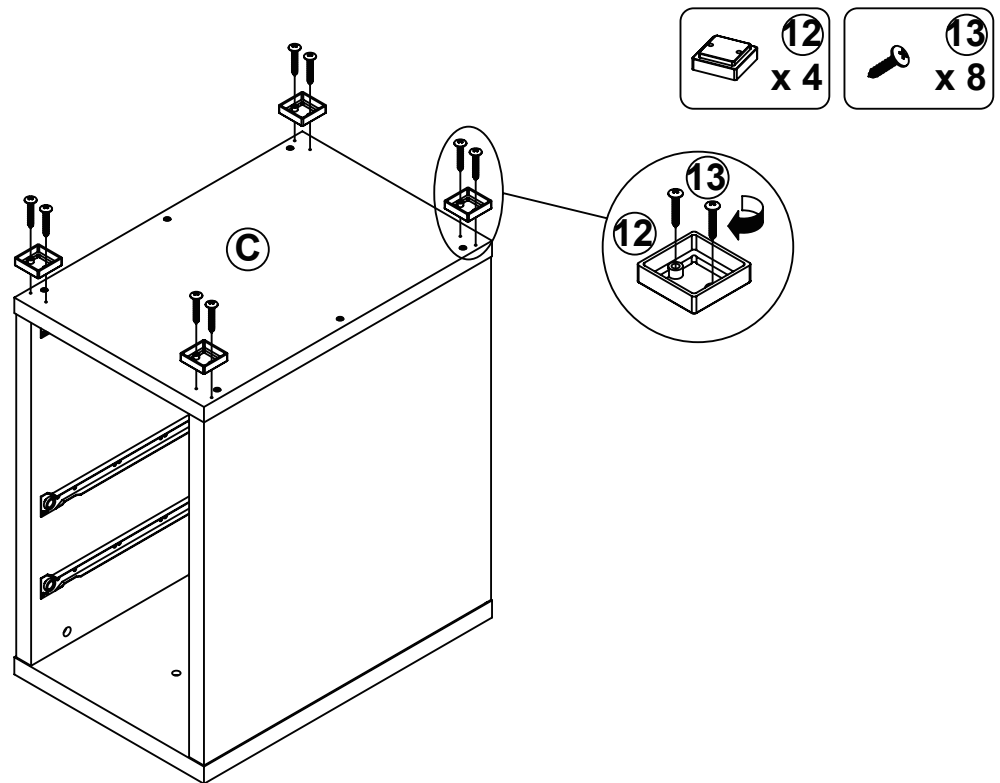
STEP 3



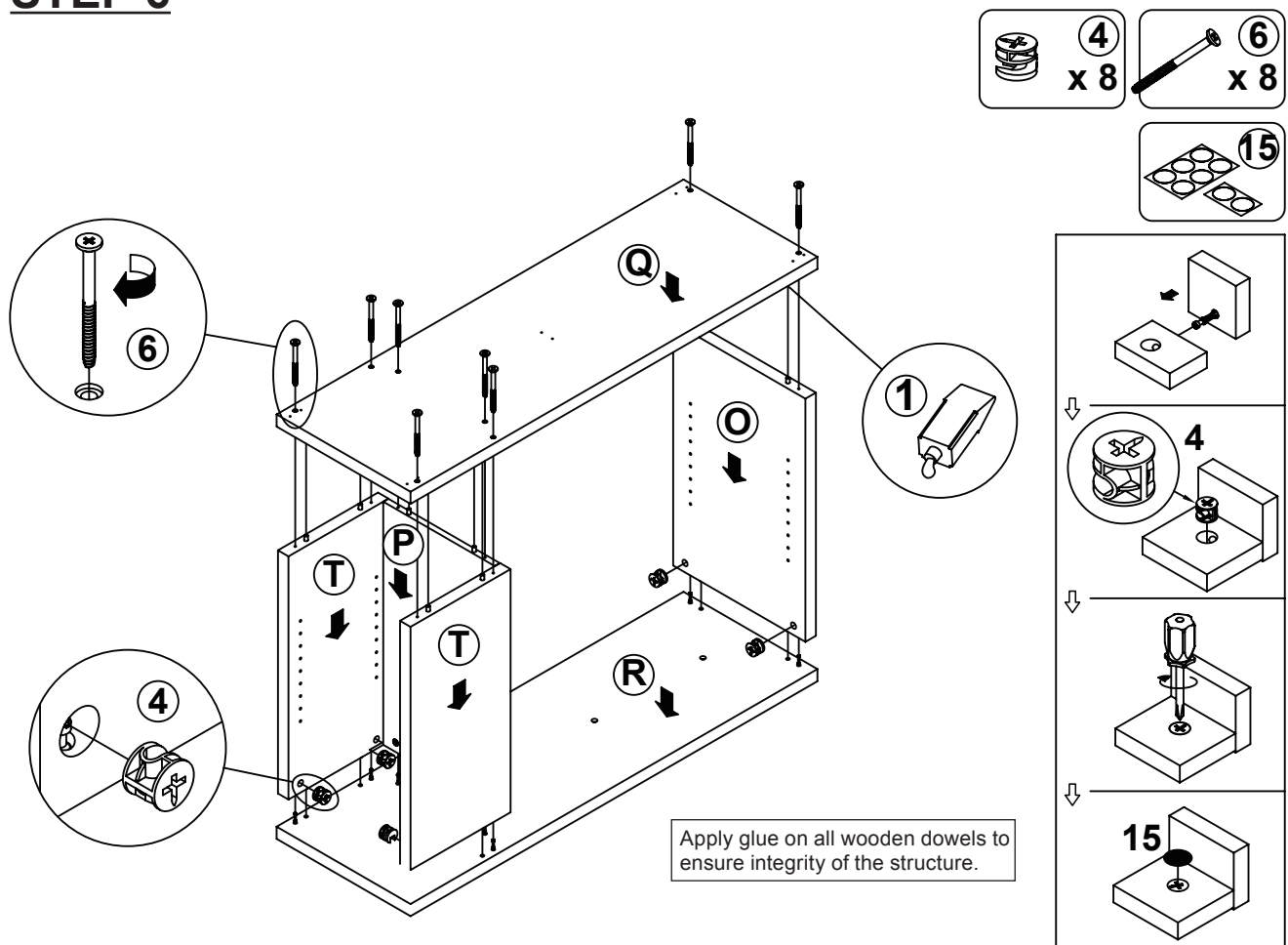
STEP 4



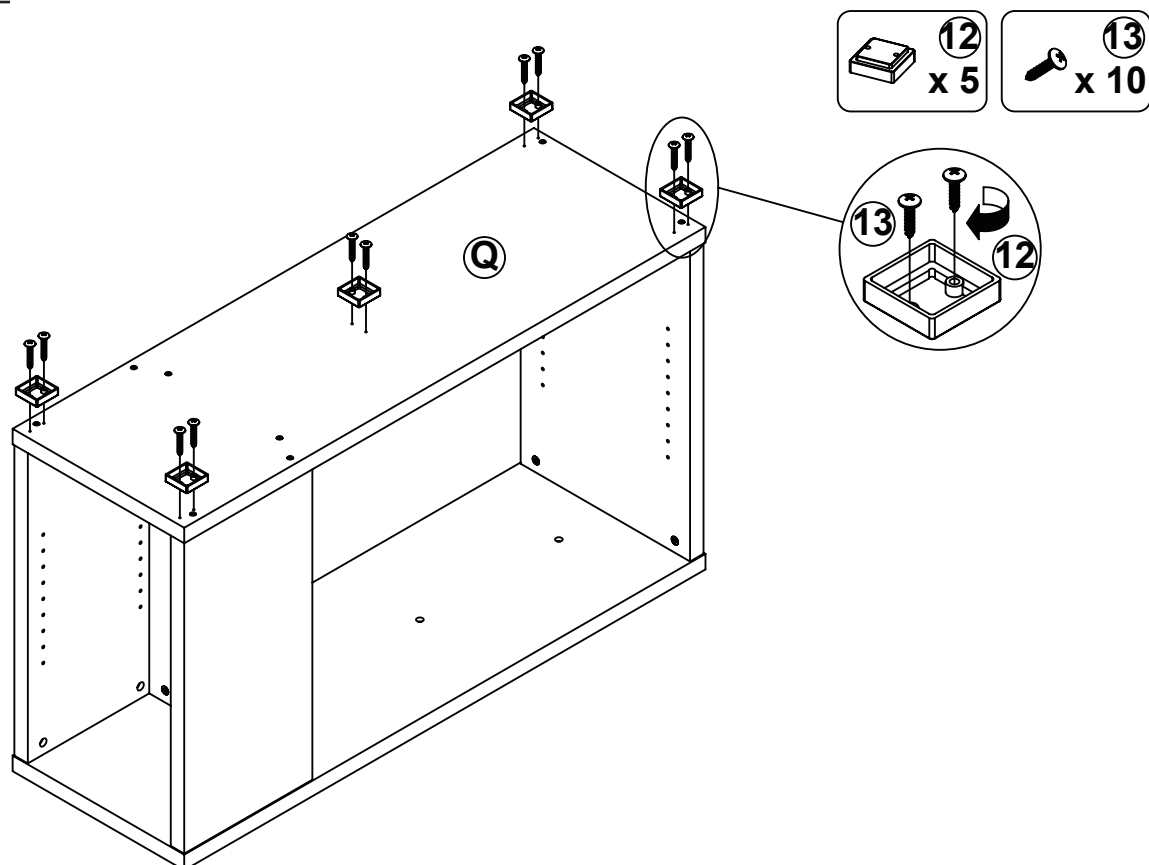
STEP 5



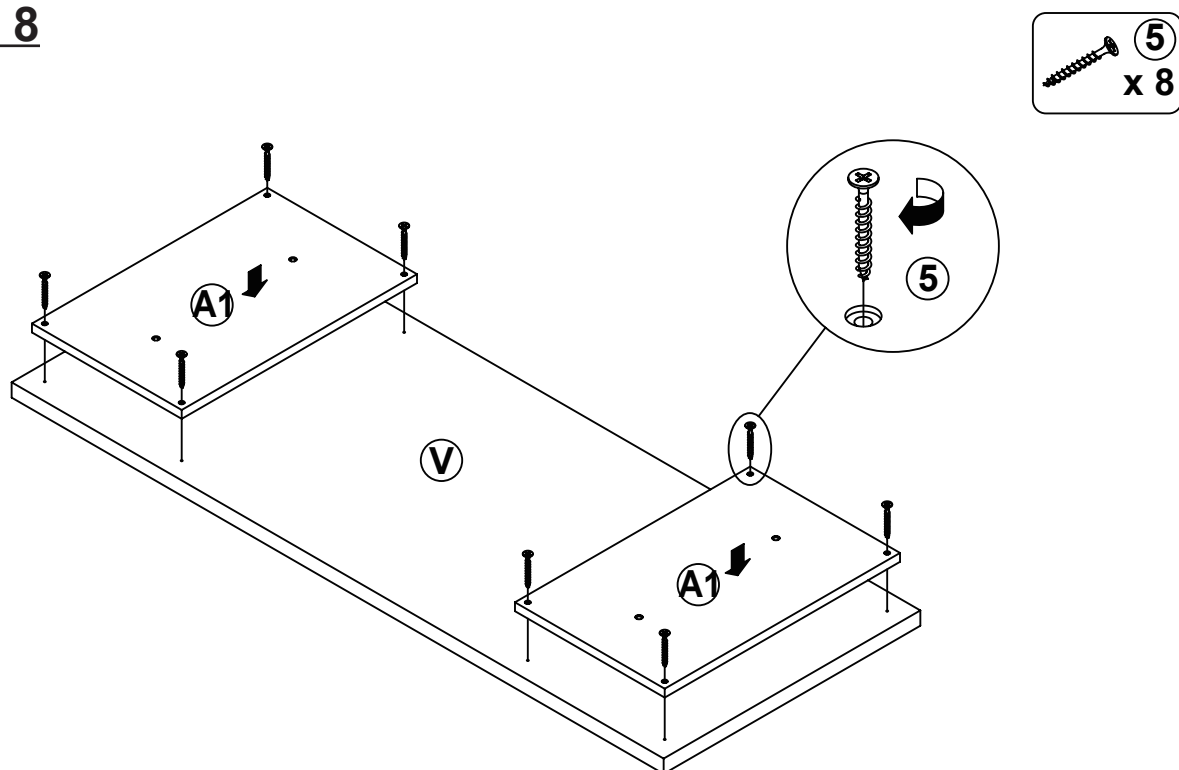
STEP 6



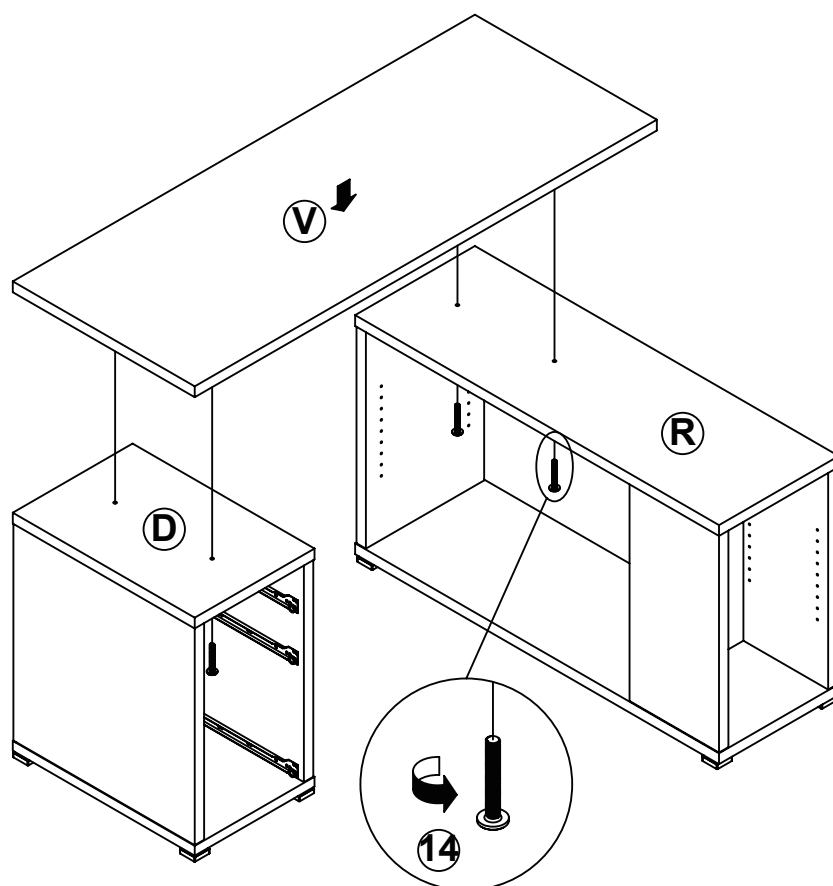
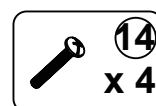
STEP 7



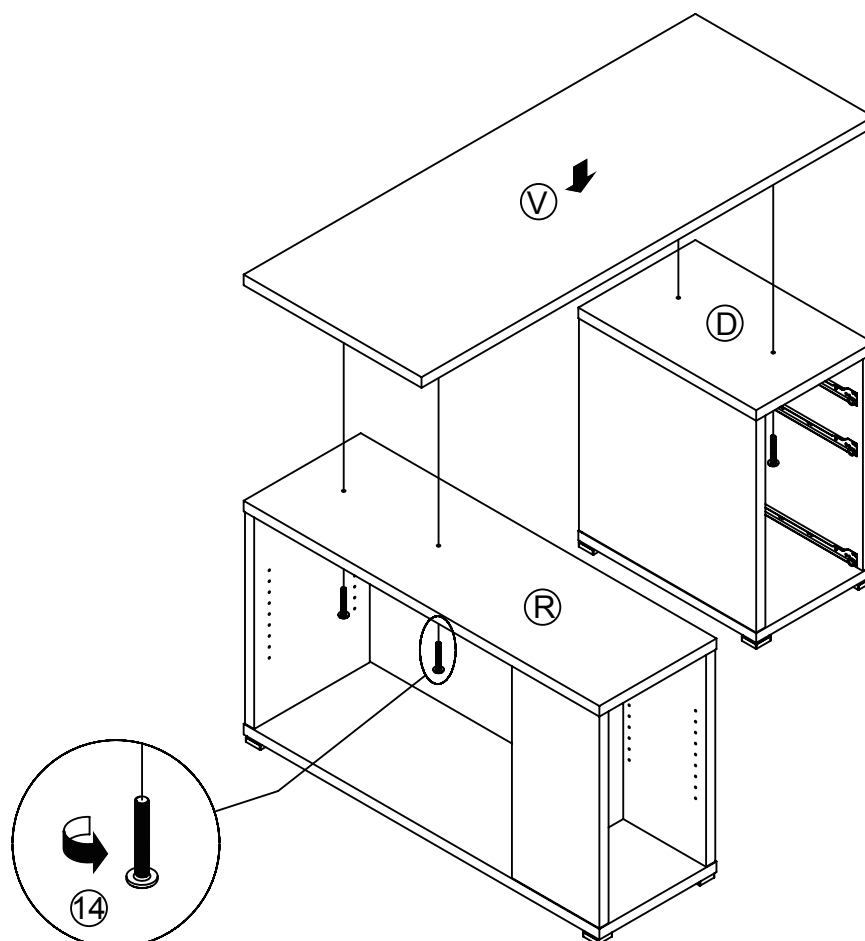
STEP 8



STEP 9
LEFT

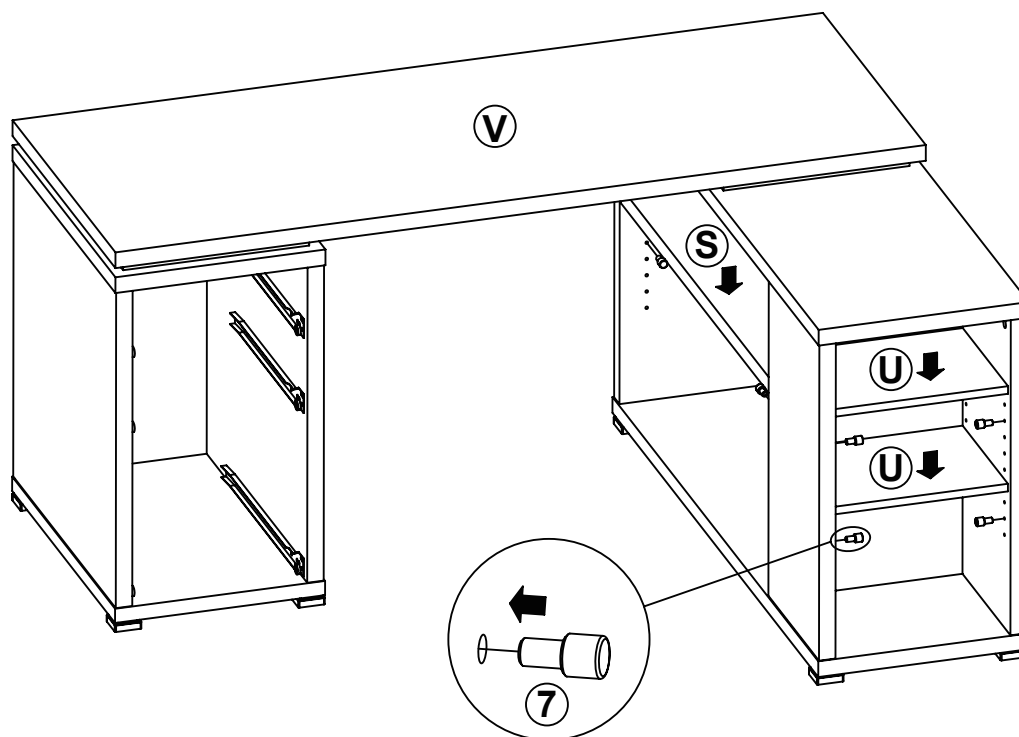
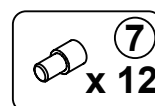


RIGHT

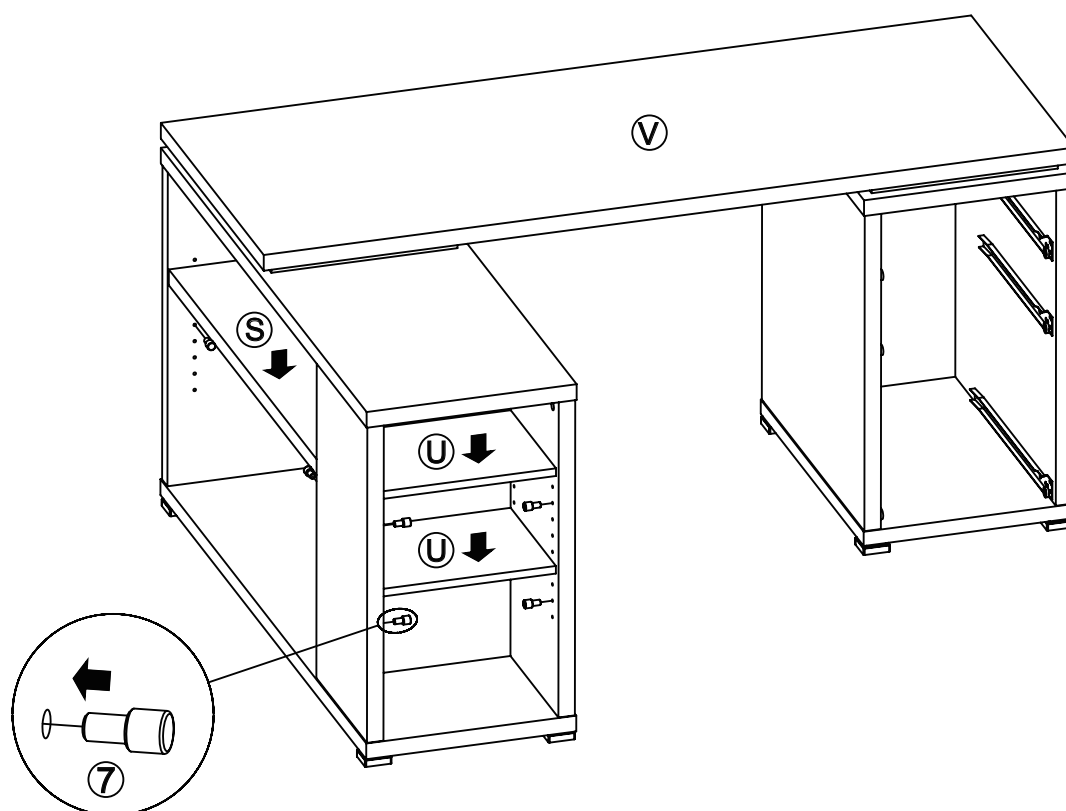


STEP 10

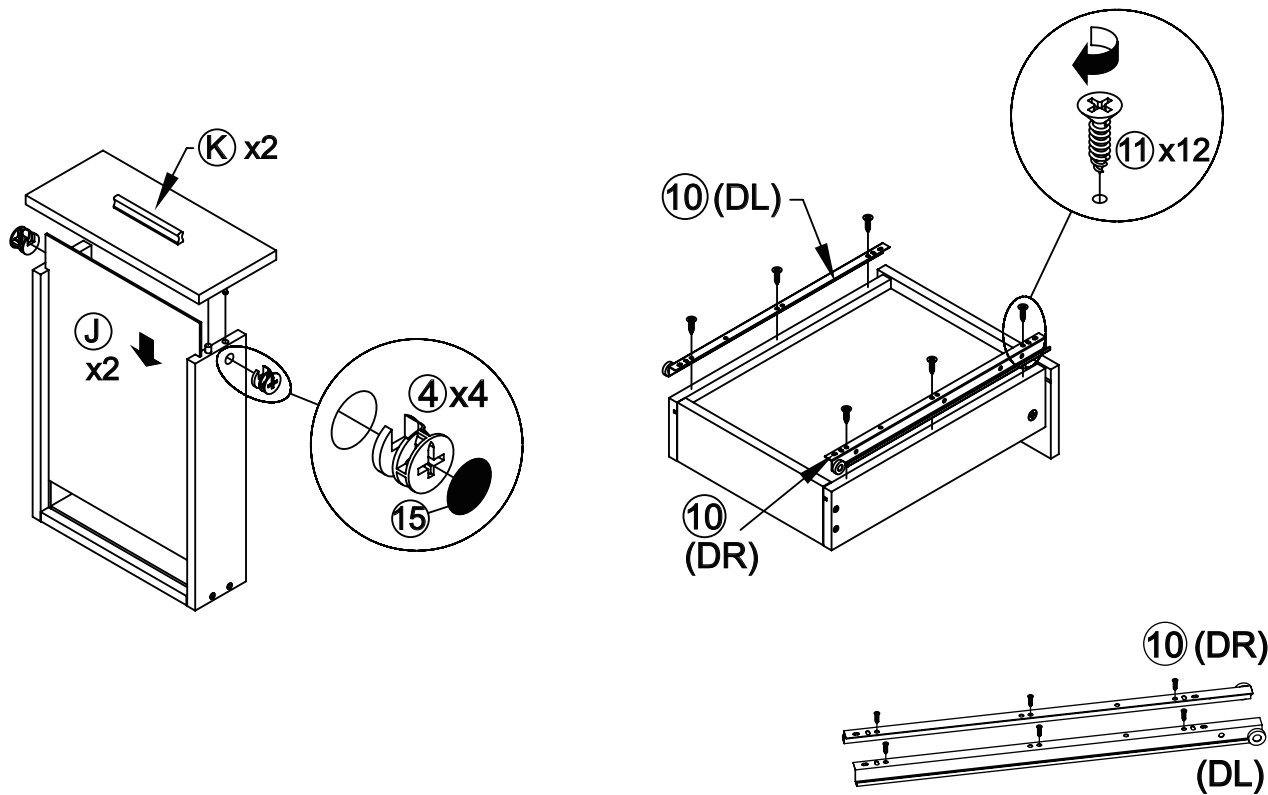
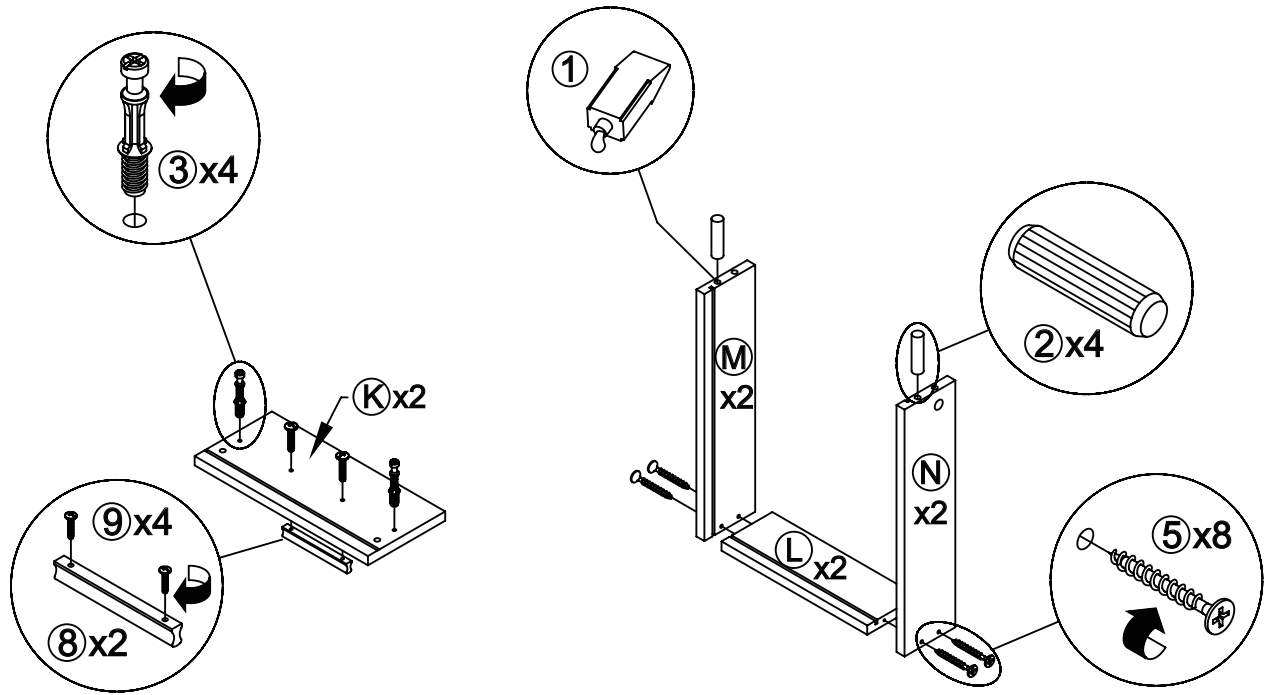
LEFT



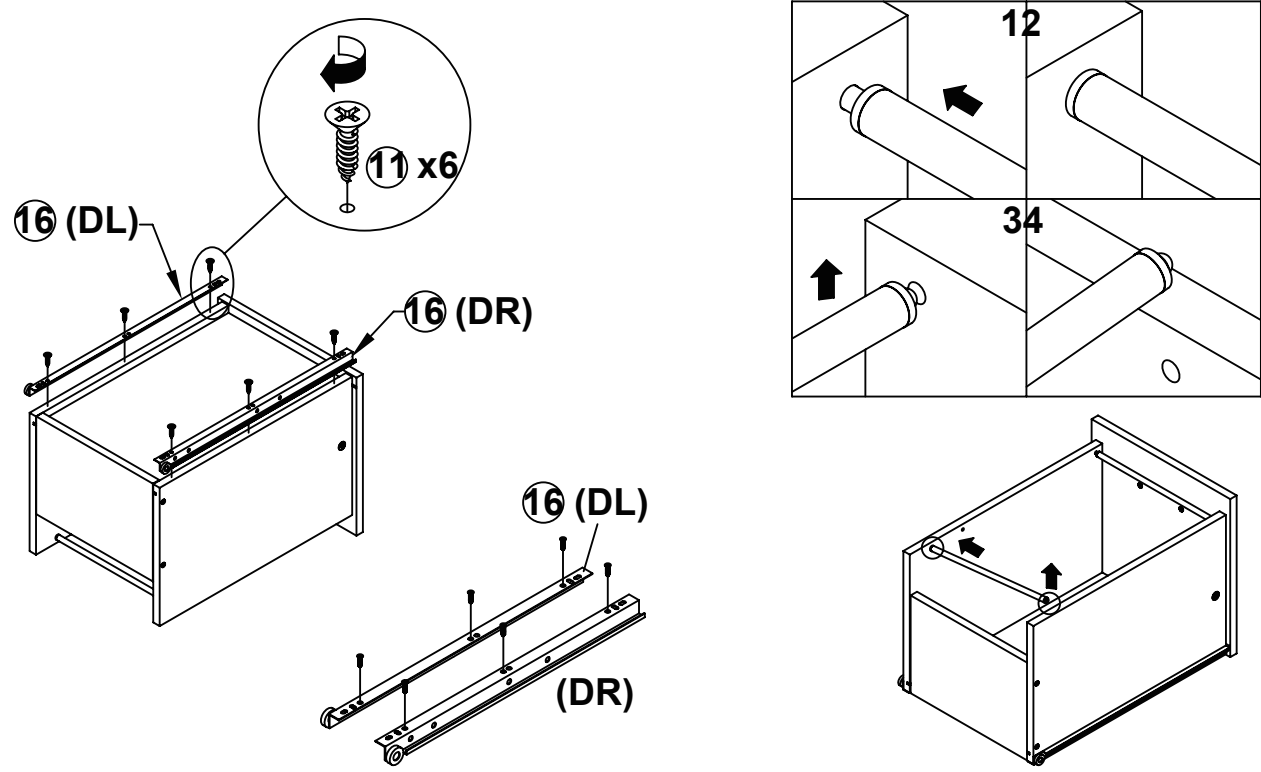
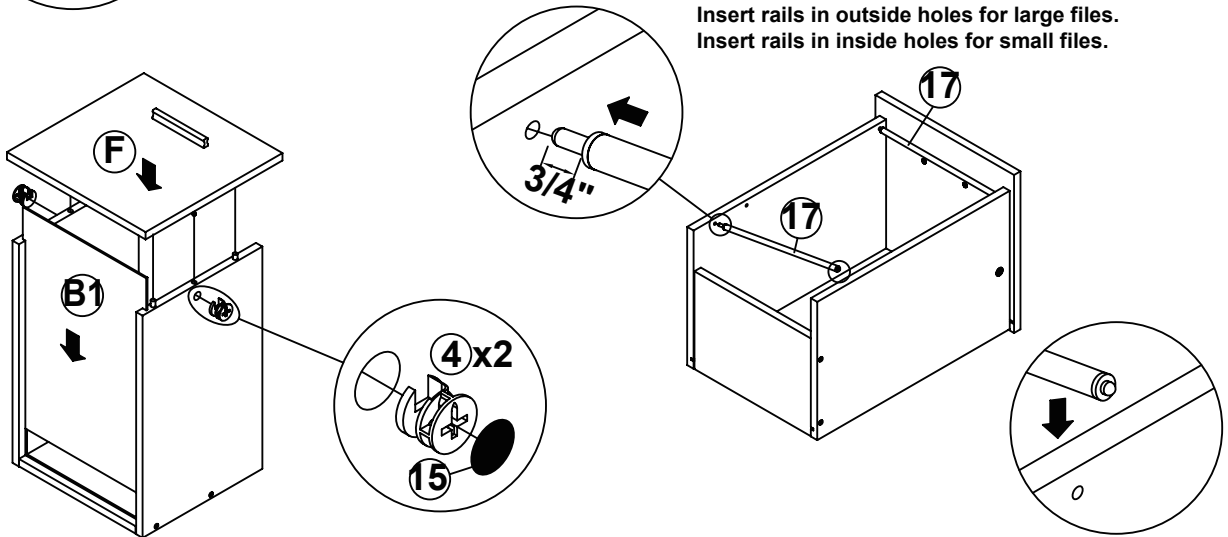
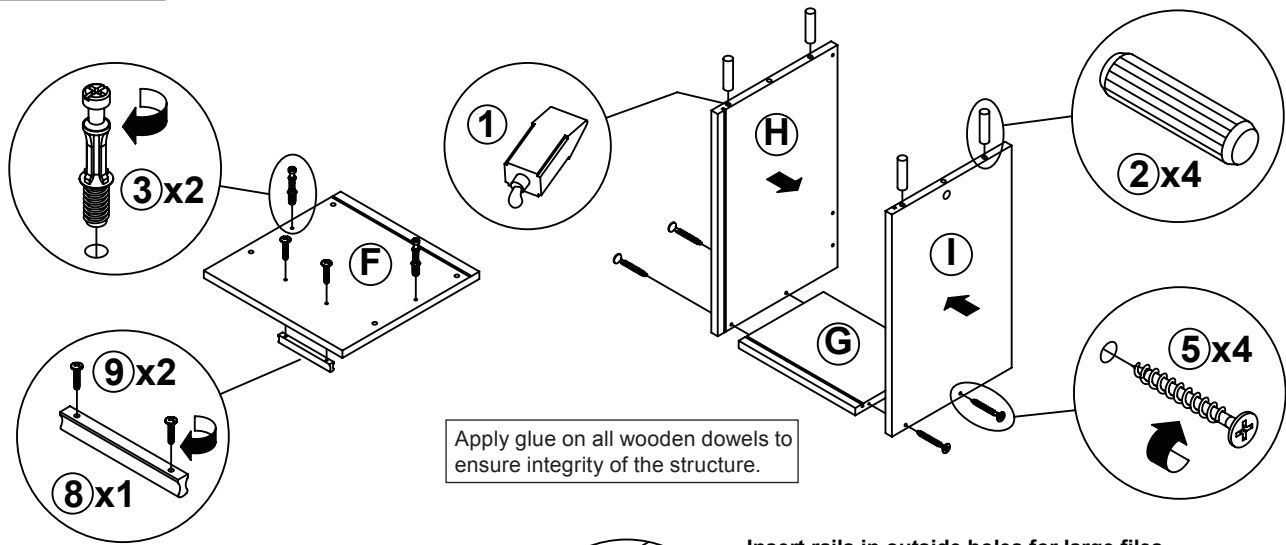
RIGHT



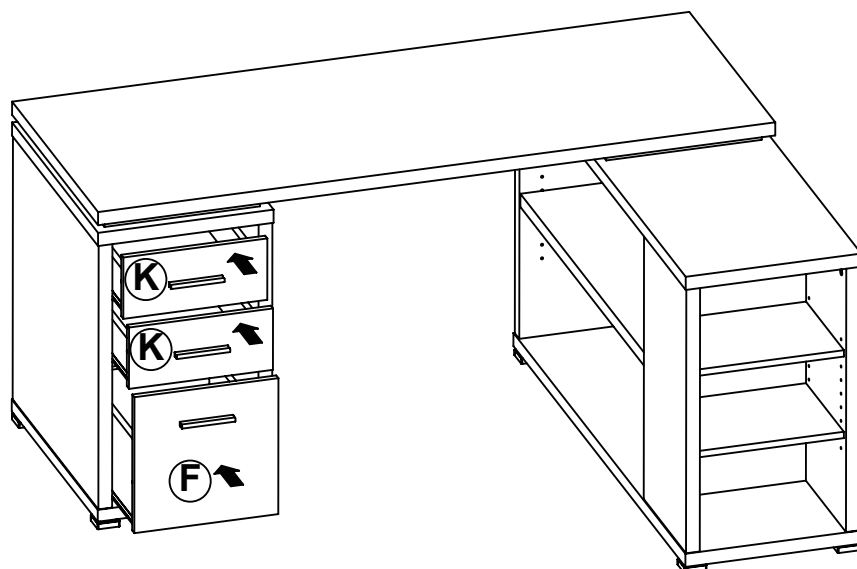
STEP 11



STEP 12



STEP 13
LEFT



RIGHT

