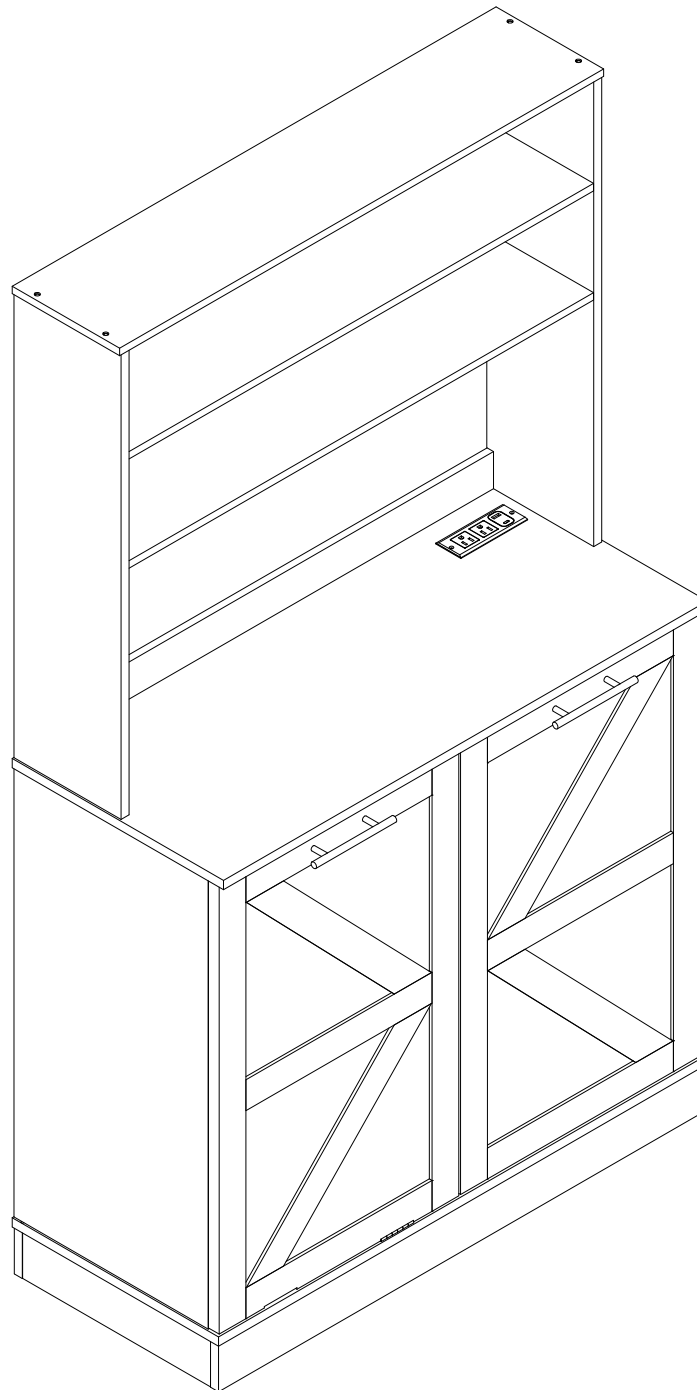


ASSEMBLY INSTRUCTIONS

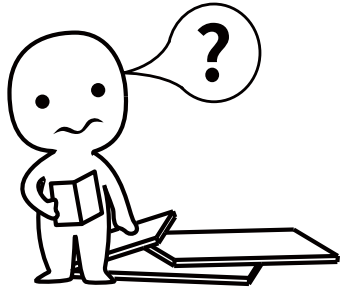
SKU:AXJ0016OAK/WTWN



⚠ SAFETY TIPS:

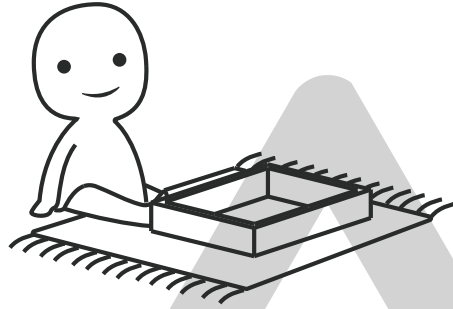
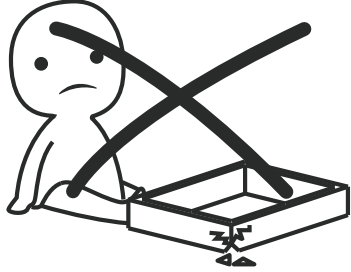
Static charge may cause dust on foam-clean with a dry or damp cloth. Small foam strands may be present-handle gently and dispose of properly. Do not burn or incinerate. Check local recycling guideline.

Have an assembly question or need a replacement part?
Please contact with our customer service.



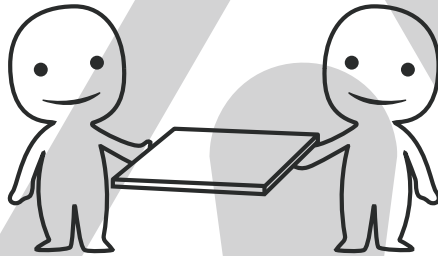
IMPORTANT INFORMATION!

please read the entire manual before starting to assemble and/or using this product. follow the manual thoroughly and keep it for further reference.



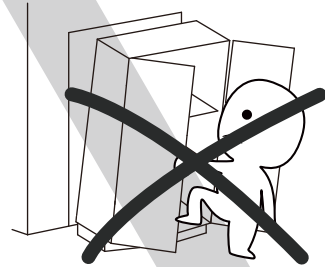
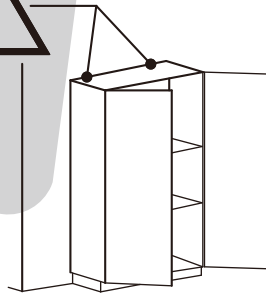
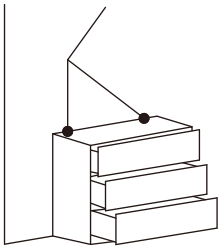
AVOID SCRATCHES!

In order to avoid scratching this furniture should be assembled on a soft layer- could be a rug.



IMPROVE EFFICIENCY !

Try to find a partner to install with you, which can speed up the installation efficiency and shorten the time.



ANTI-TOPPLE WARNING !

Overturnd furniture can cause serious or fatal crush injuries. To prevent tipping over, be sure to use the wall attachment, if not included with this product. Please purchase the wall attachment that fit your wall. If unsure, seek professional advice. Please read and follow each step of the instructions carefully.

IMPORTANT !

It is important that any product which is assembled using any kind of screw is re-tightened 2 weeks after assembly, and once every 3 months - in order to assure stability through-out the lifespan of the product.

For regular maintenance and cleaning of the product, for the frame, please use a rag dipped in neutral detergent to fully wipe it, and then dry it with a clean rag. For glass materials, wipe with a rag dampened with water glass cleaner, and then dry with a dry rag.

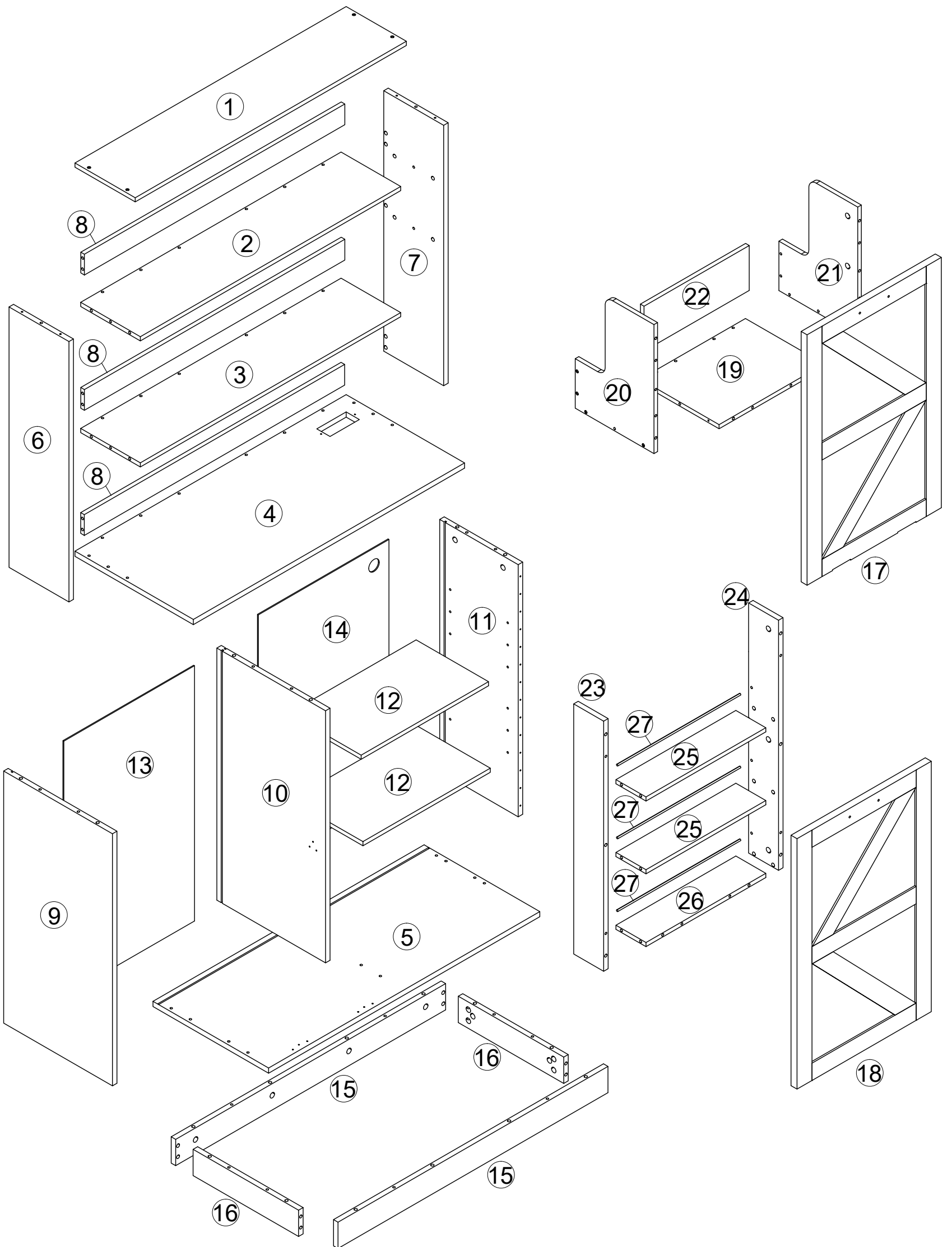
Do not use an electric screwdriver, and do not use too much force when installing, the board is easy to break.

'SAFETY TIPS:

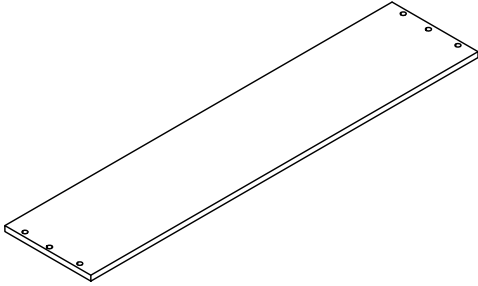
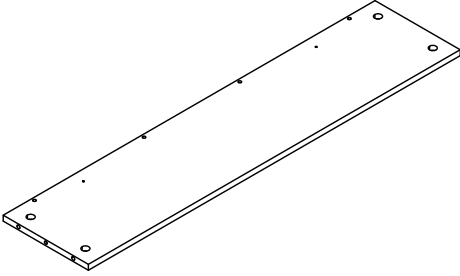
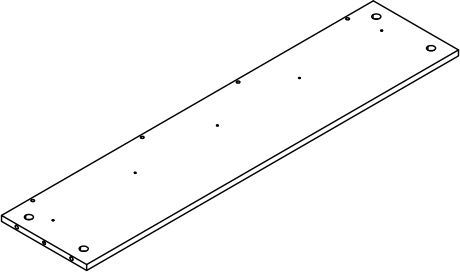
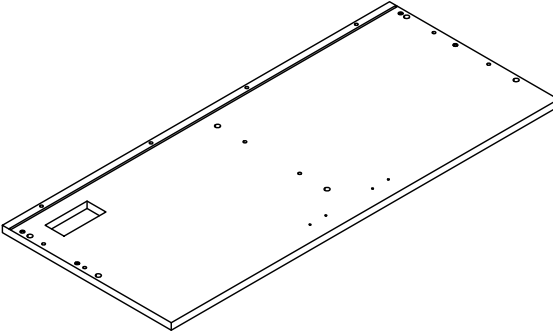
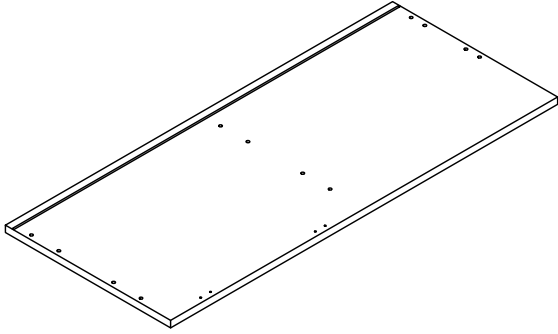
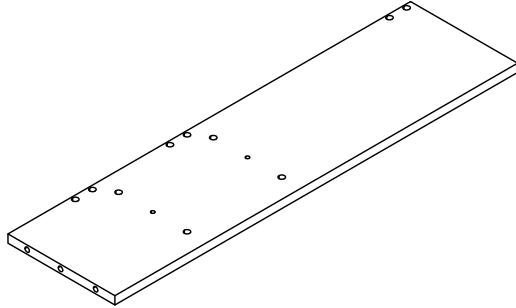
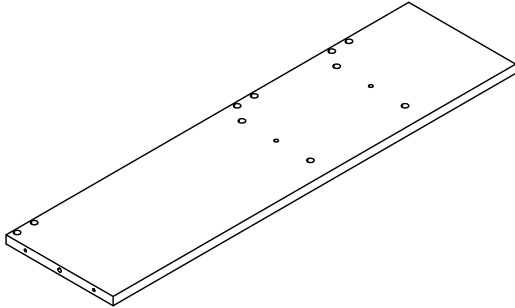
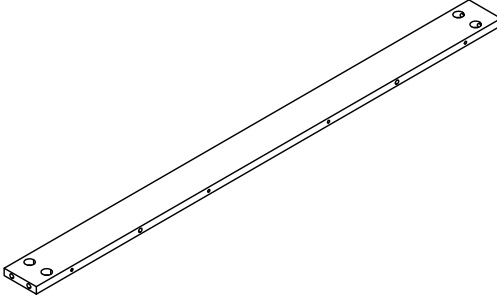
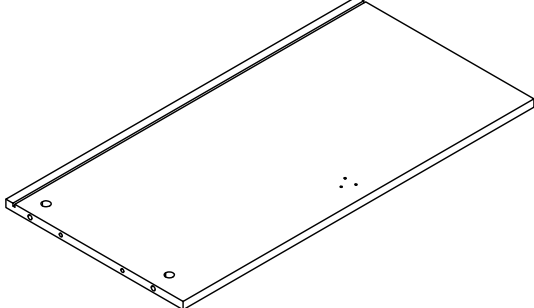
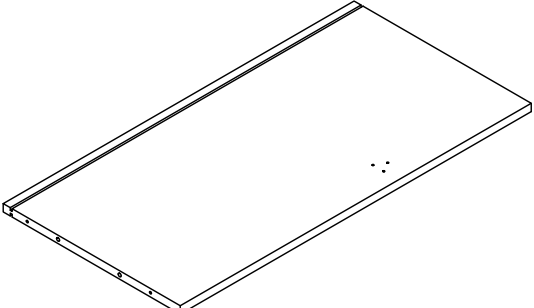
Static charge may cause dust on foam- clean with a dry or damp cloth. Smafoam strands may oepresent - handle gently and dispose of properly.

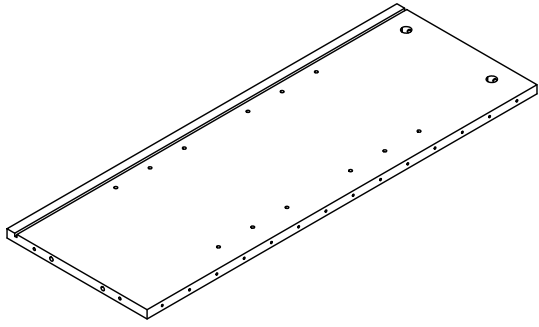
Do not burn or incinerate.

Check local recycling quidelines.



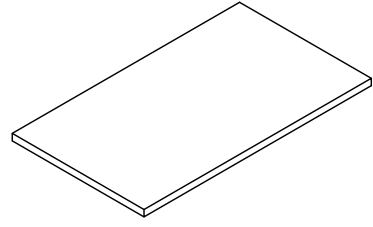
Parts and Operation Elements

	
① 1pc	② 1pc
	
③ 1pc	④ 1pc
	
⑤ 1pc	⑥ 1pc
	
⑦ 1pc	⑧ 3pcs
	
⑨ 1pc	⑩ 1pc



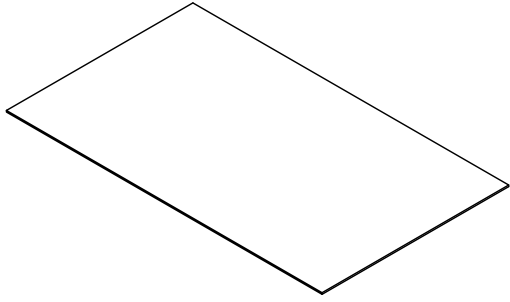
11

1pc



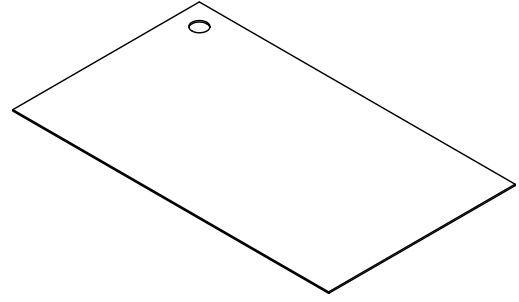
12

2pcs



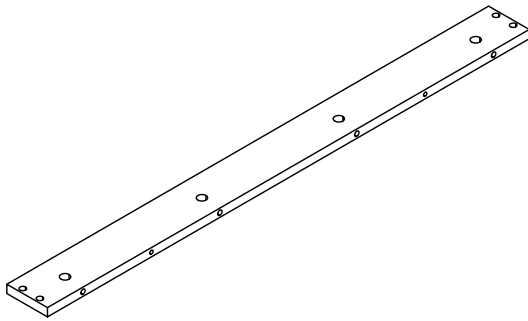
13

1pc



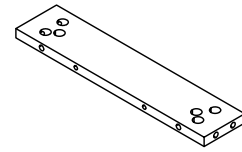
14

1pc



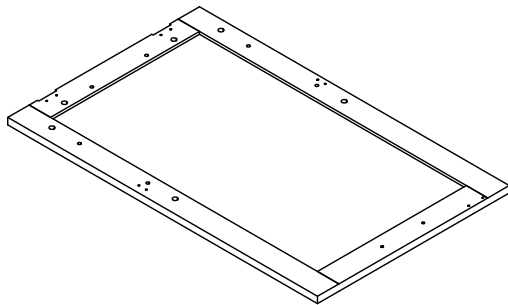
15

2pcs



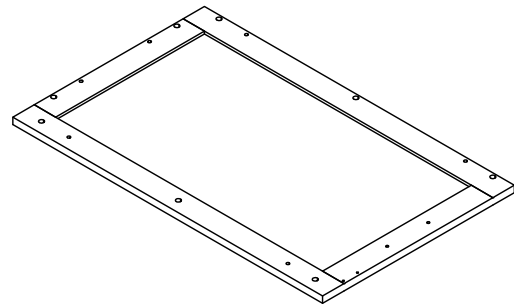
16

2pcs



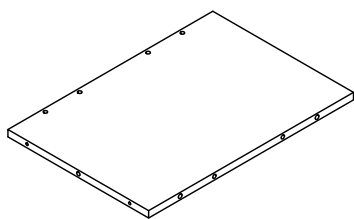
17

1pc



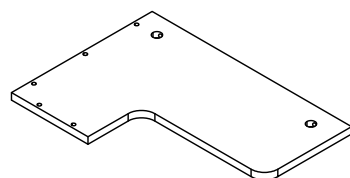
18

1pc



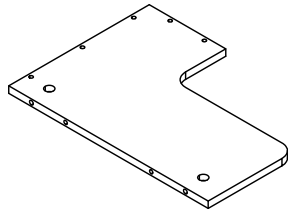
19

1pc



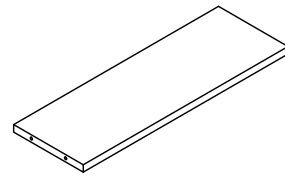
20

1pc



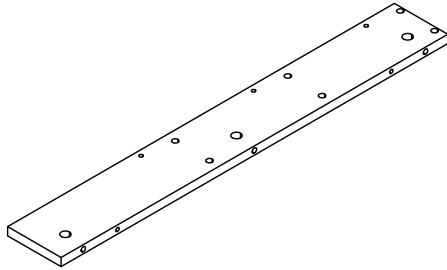
21

1pc



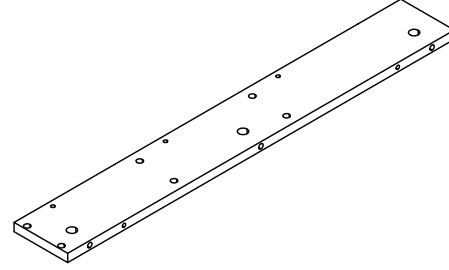
22

1pc



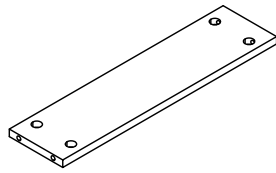
23

1pc



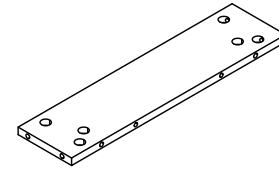
24

1pc



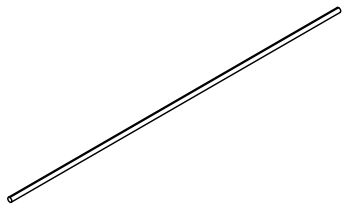
25

2pcs



26




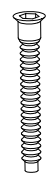
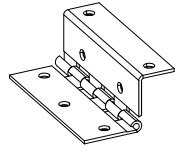
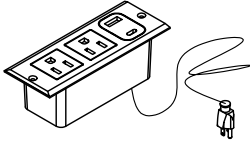
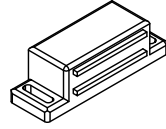
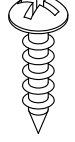
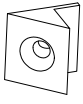

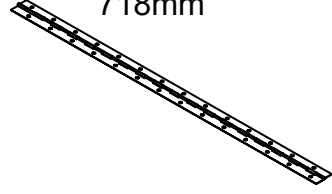
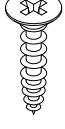
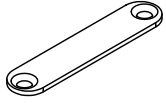
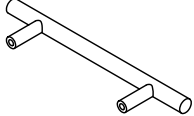
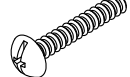
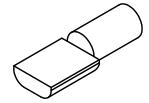
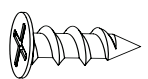
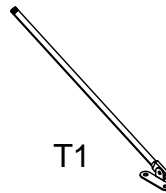


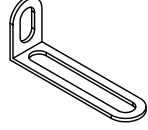


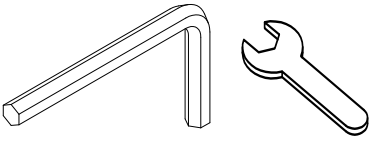


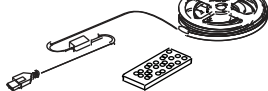

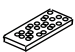
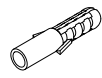

1pc



27

3pcs

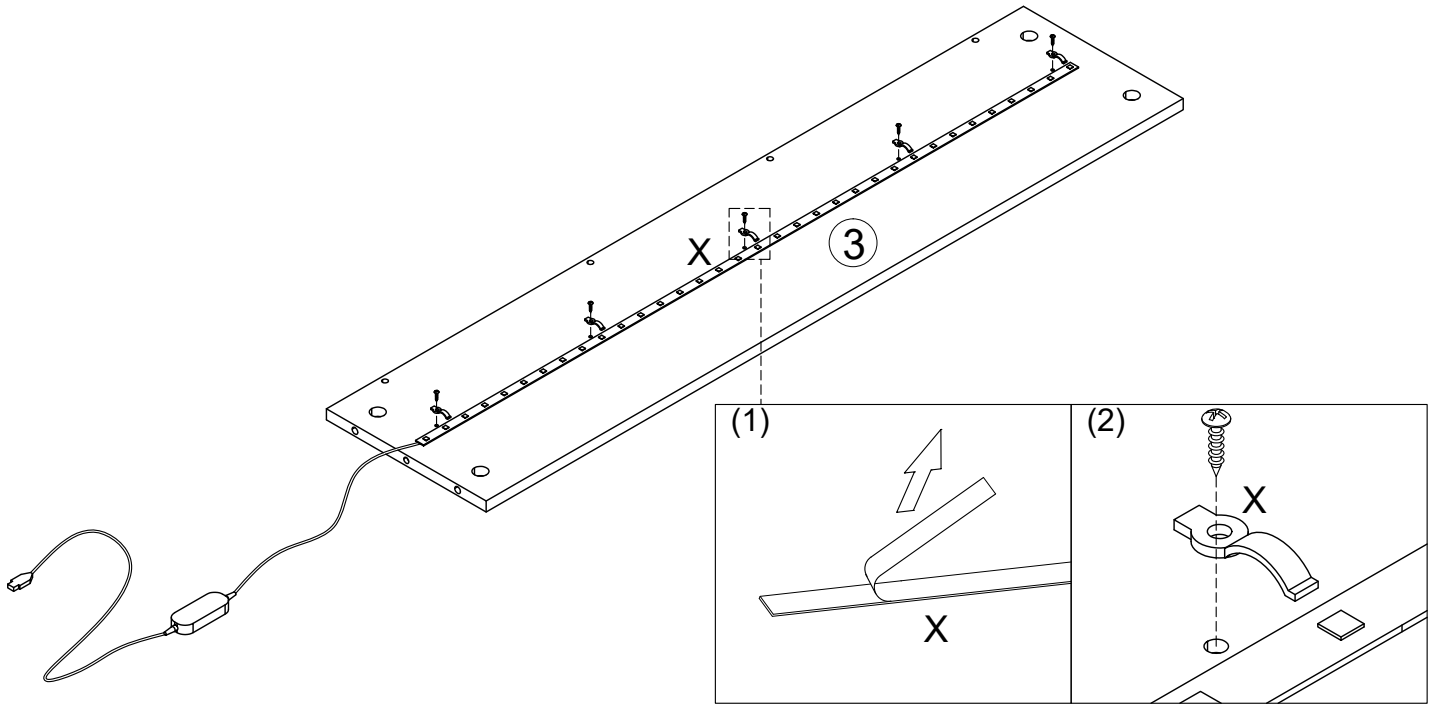
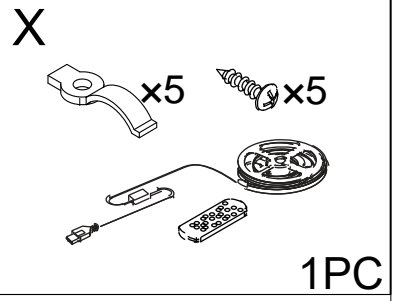
Hardware

	M6×40mm 	Ø15×10mm 	Ø6×30mm 	M5×40 			
(A)	72pcs +3pcs	(B)	72pcs +3pcs	(C)	50pcs +3pcs	(D)	36pcs +3pcs
					Ø3×16mm 		
(E)	2pcs	(F)	1pc	(G)	2pcs	(H)	4pcs +1pc
		Ø3×14mm 	718mm 		Ø3.5×14mm 		
(J)	12pcs +1pc	(K)	16pcs +1pc	(L)	1pc	(M)	2pcs +1pc
			M4×30mm 				
(N)	2pcs	(P)	2pcs	(Q)	4pcs +1pc	(R)	8pcs +1pc
	Ø4×10mm 	T1  T2  T3 	 Ø4×12mm 		Ø20mm 		
(S)	52pcs +3pcs	(T)	2pcs	(U)	2pcs	(V)	36pcs +4pcs
	M3 	x5+1  x5+1    	 Ø4×35mm 				
(W)	1pc	(X)	1pc	(Y)	2pcs		

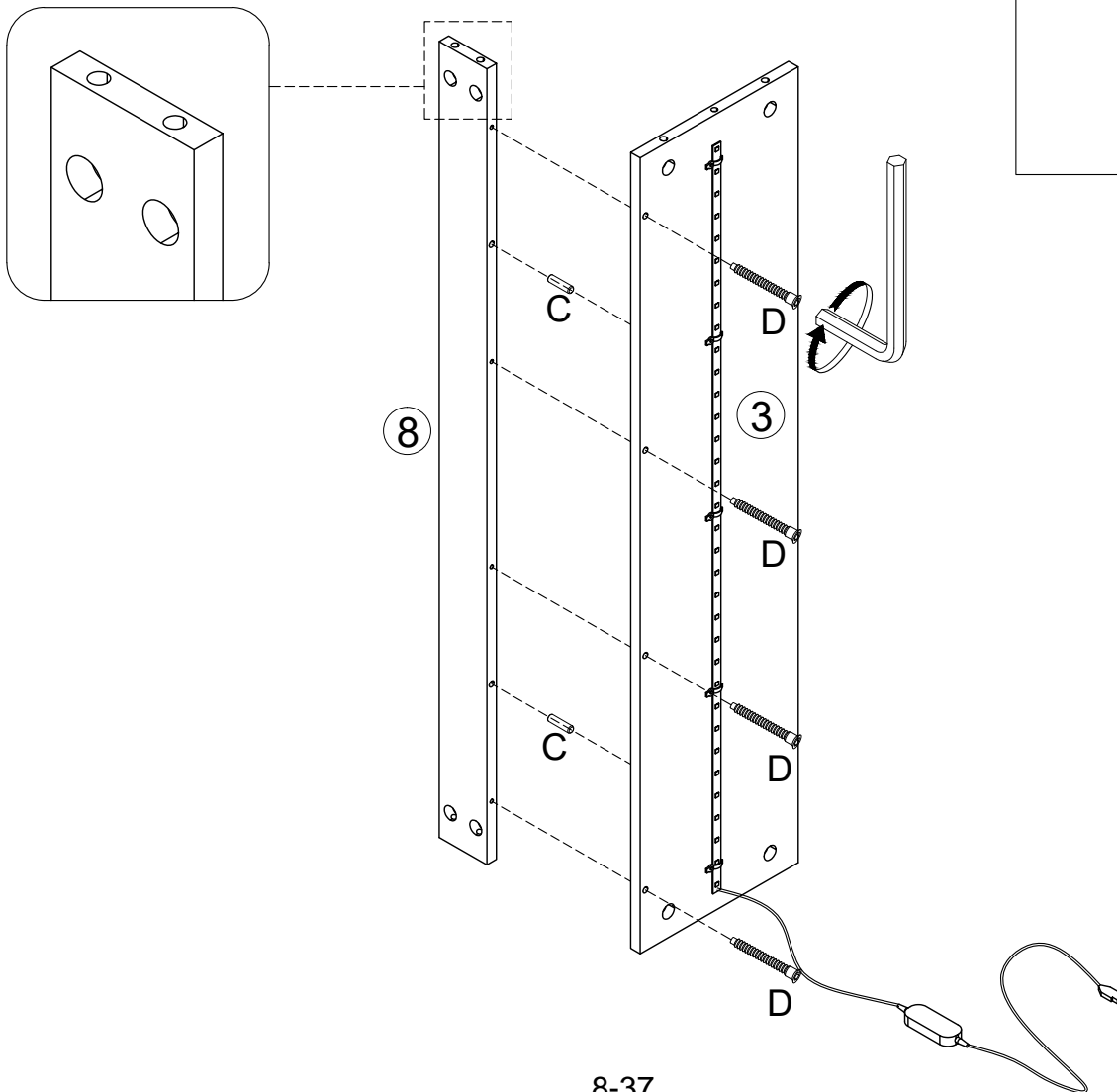
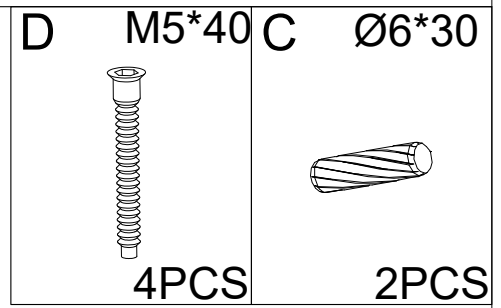


Tips: The number after "+" represents the spare hardware.

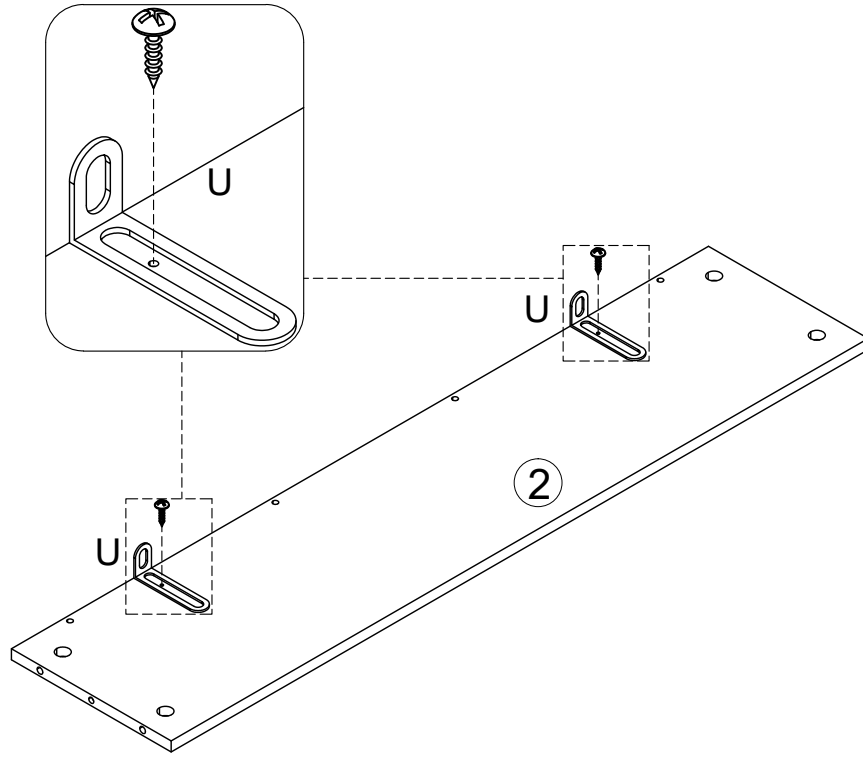
1



2



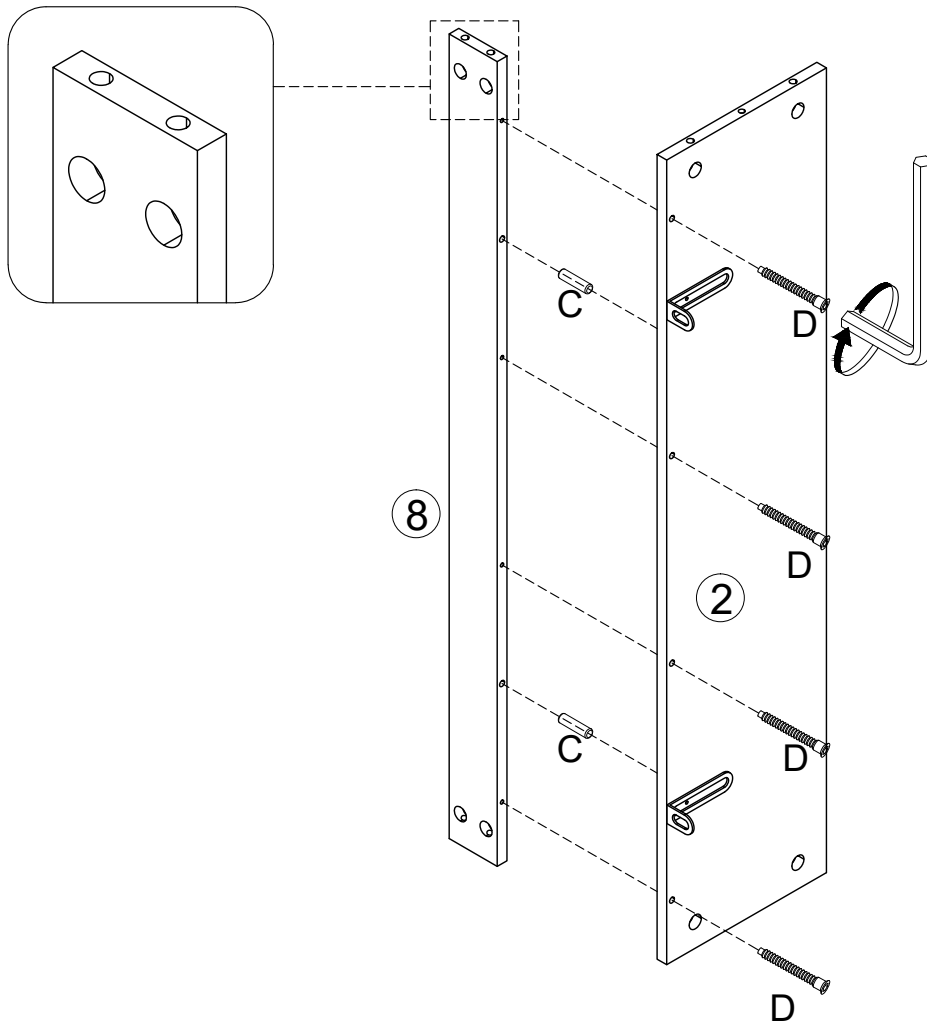
3



U $\text{\O}4*12$

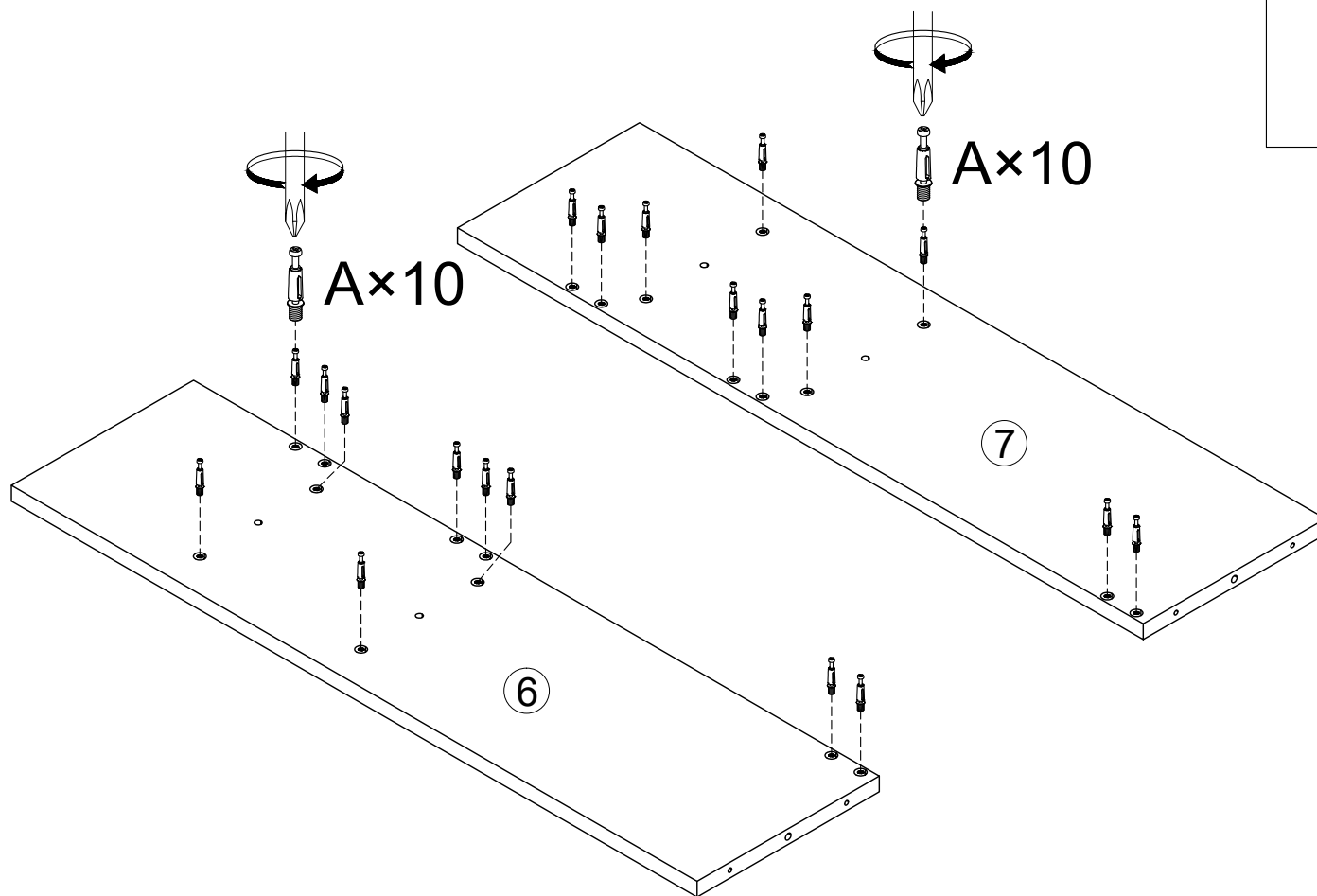
2PCS


4



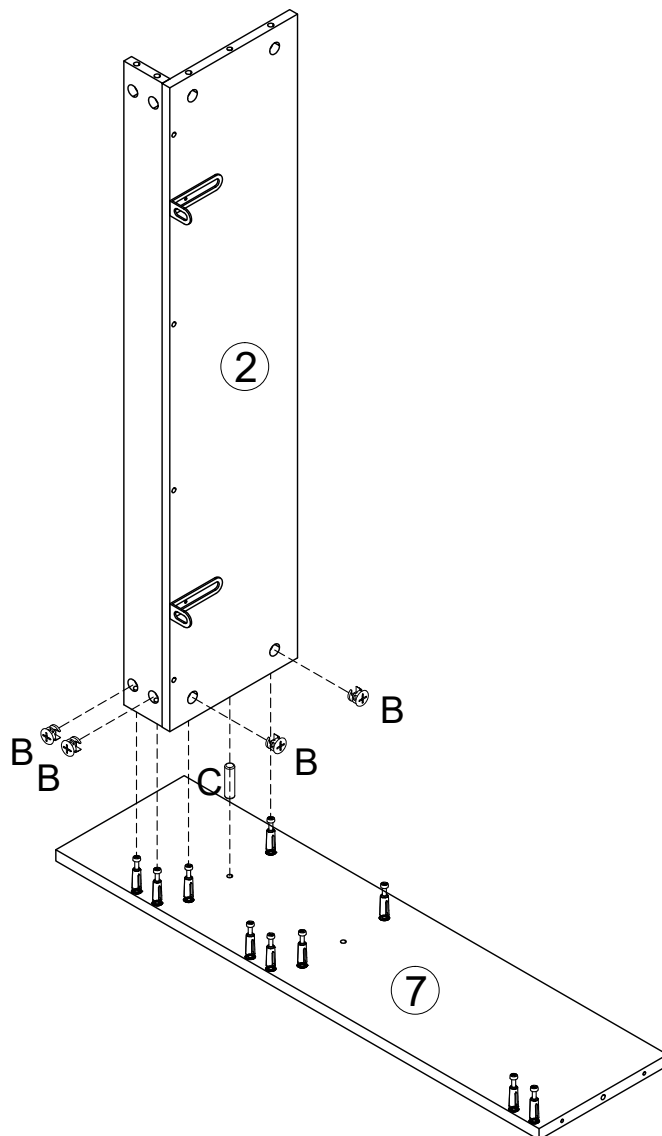
D	M5*40	C	$\text{\O}6*30$
4PCS		2PCS	

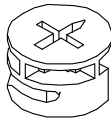

5



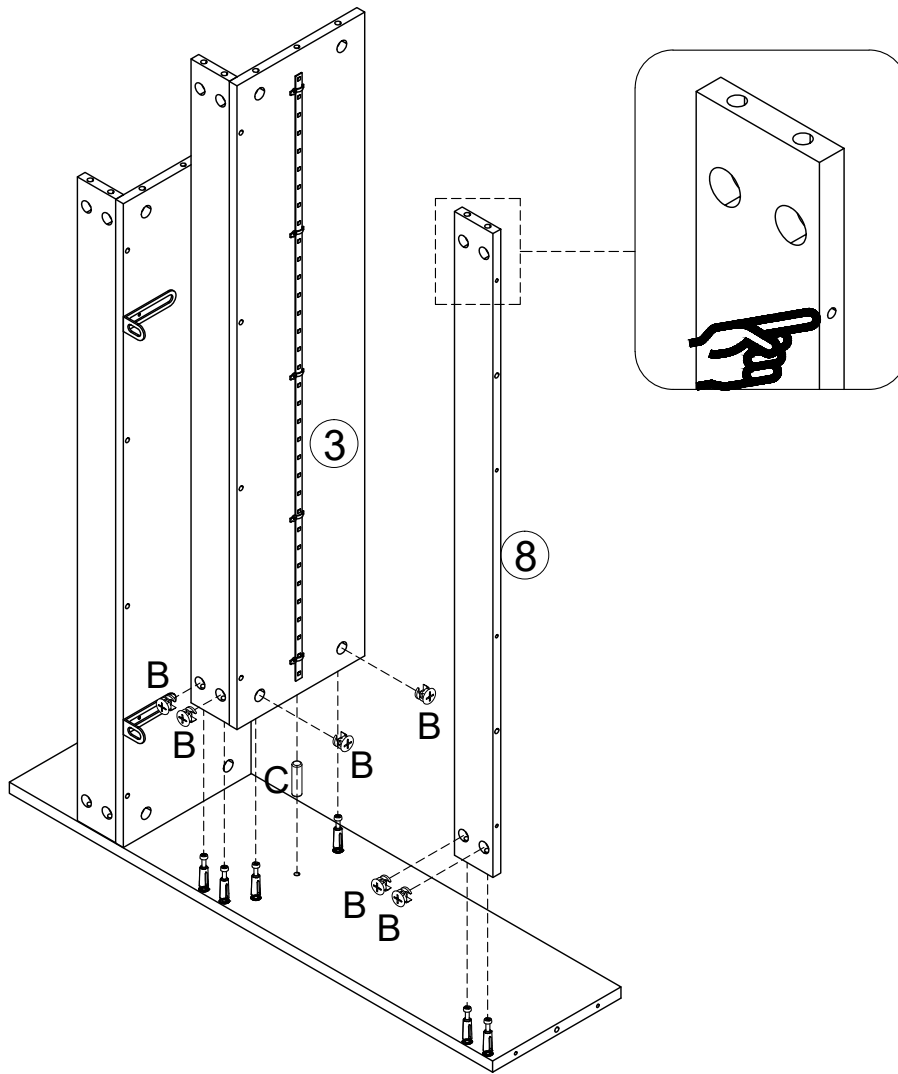
A M6*40

20PCS

6

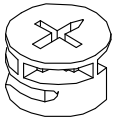


B Ø15*10 C Ø6*30

4PCS 
1PC

7



B Ø15*10



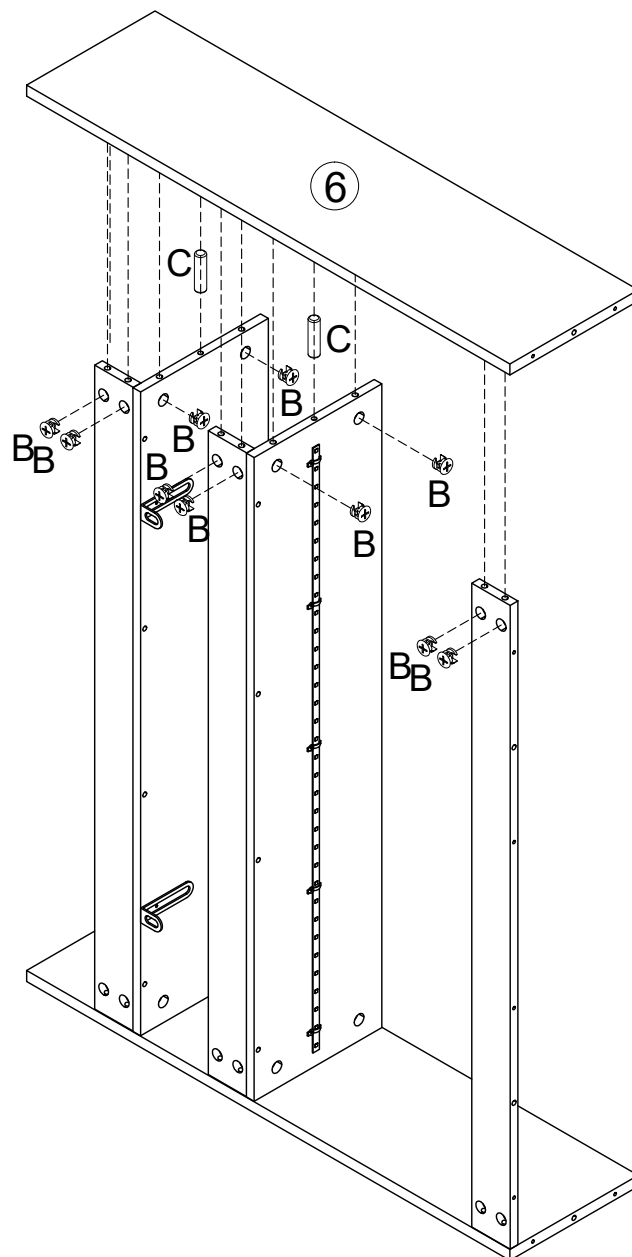
6PCS

C Ø6*30

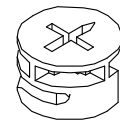


1PC

8



B Ø15*10



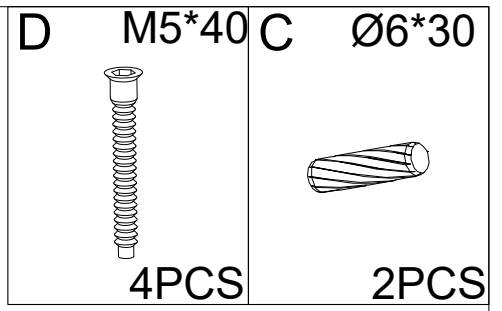
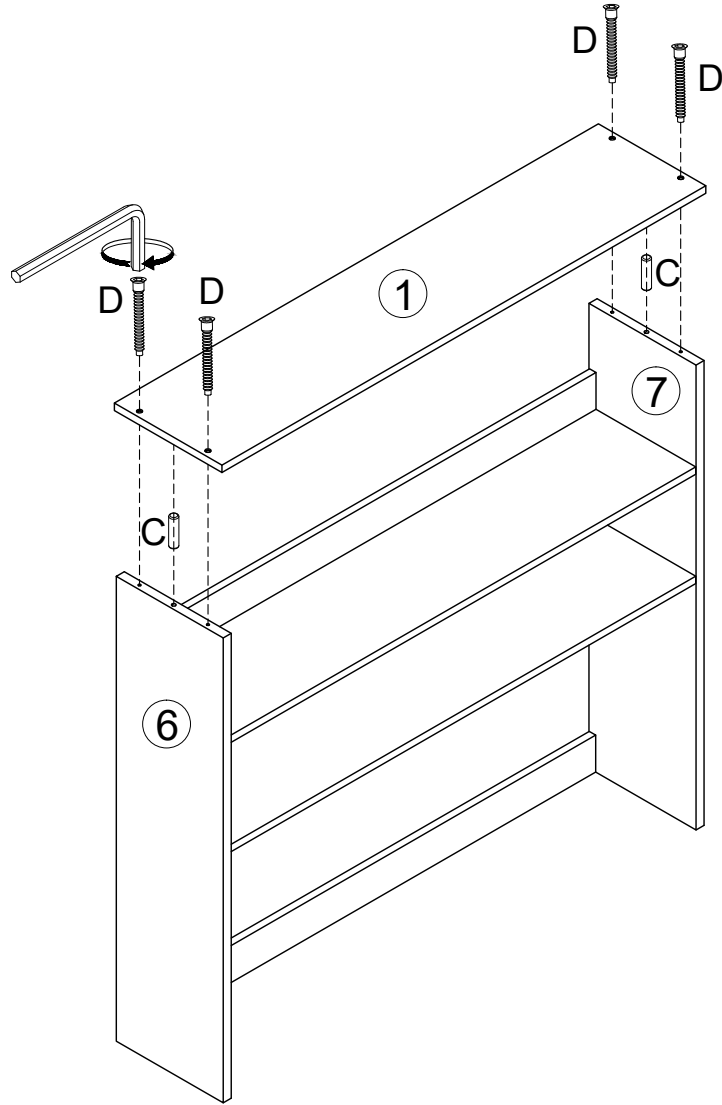
10PCS

C Ø6*30

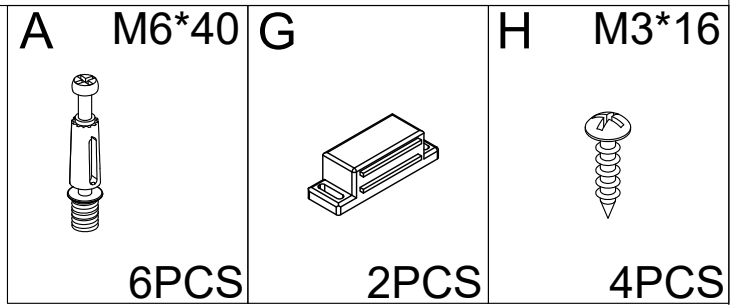
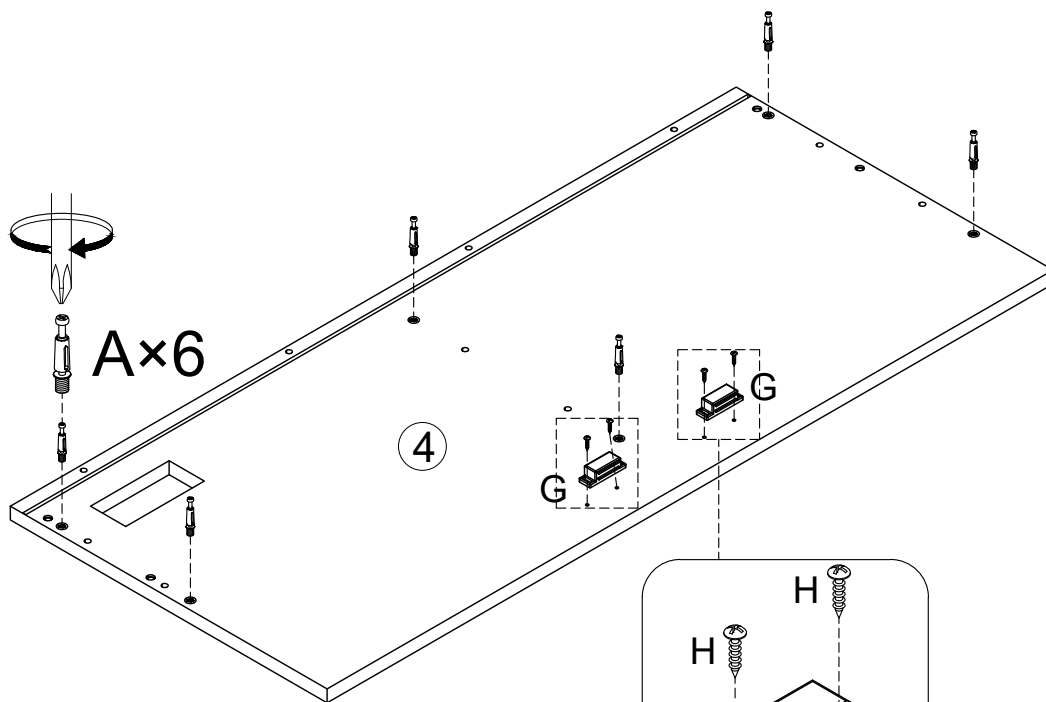




2PCS

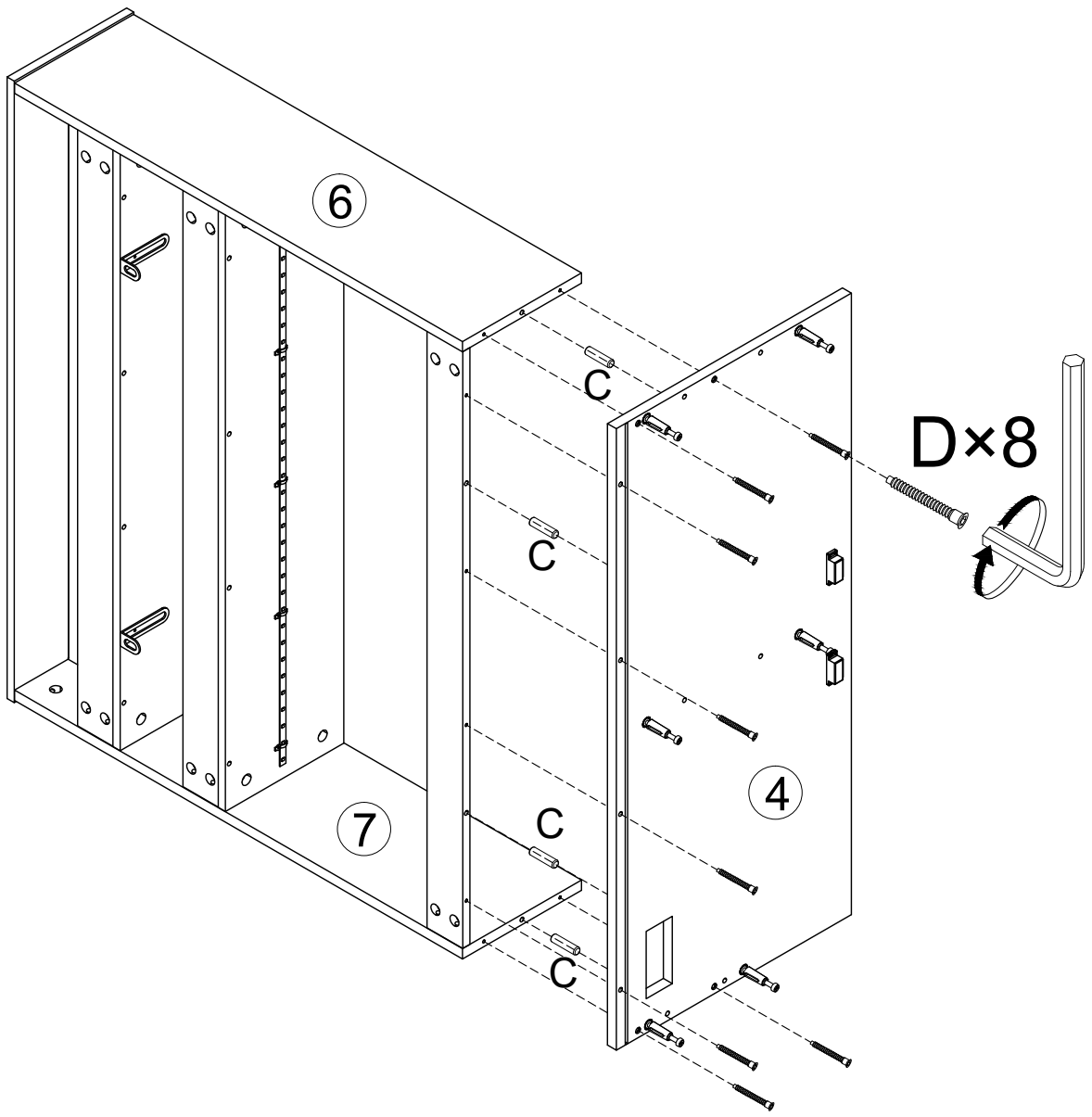
9



10

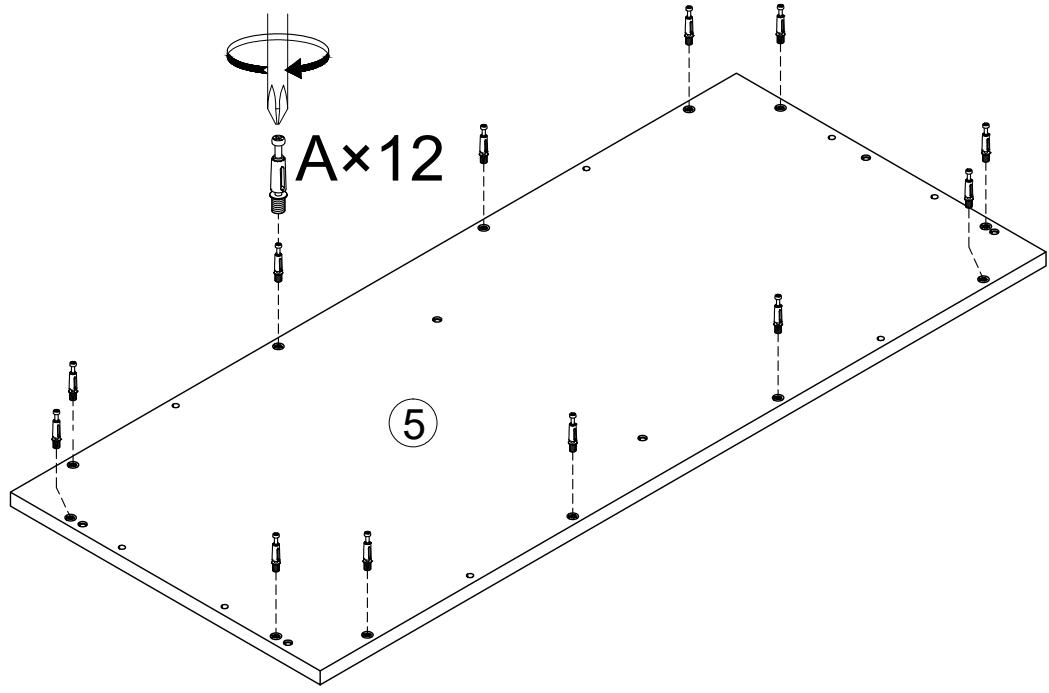


D	M5*40	C	Ø6*30
			
	8PCS		4PCS



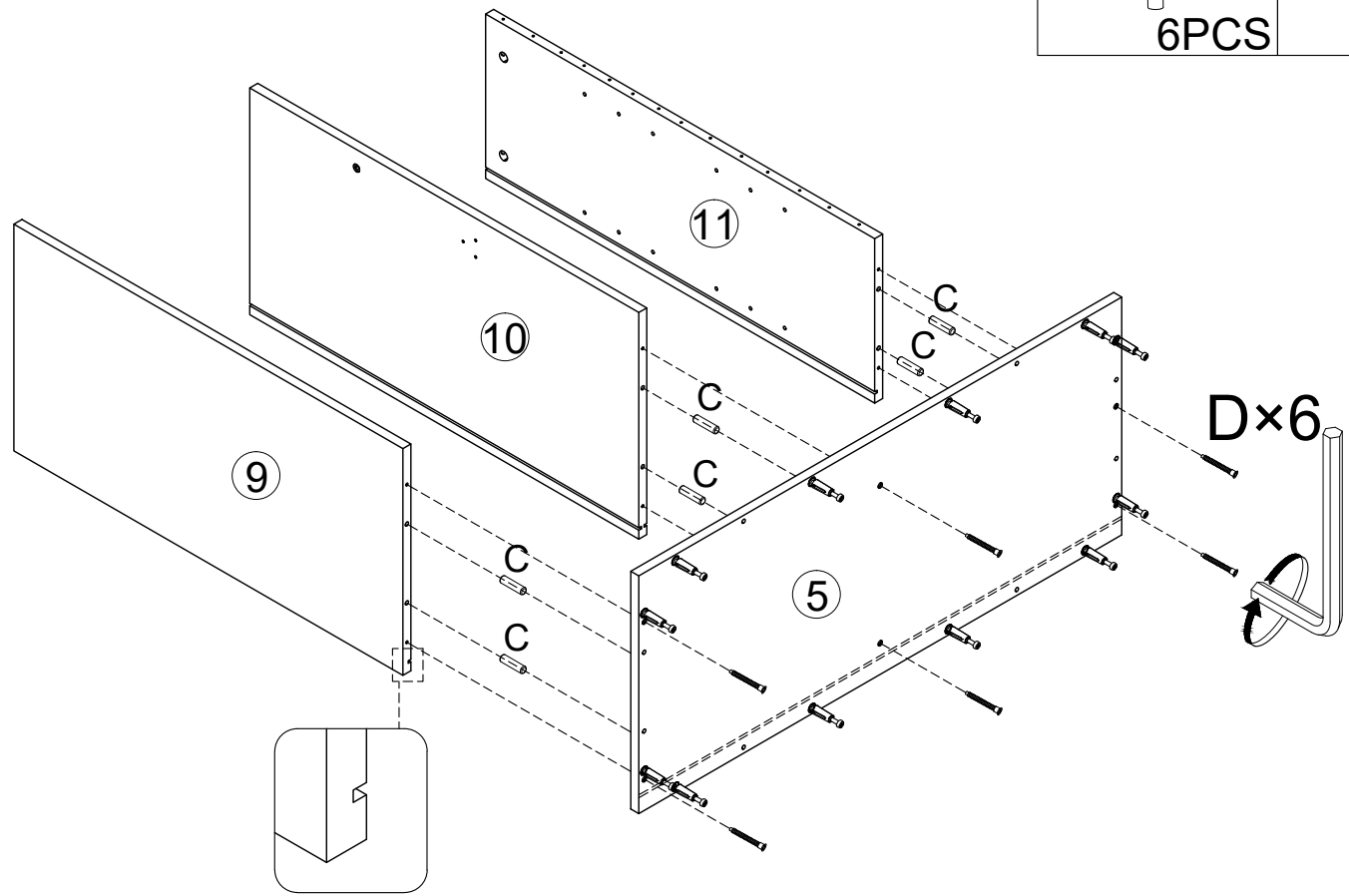
12

A M6*40
12PCS


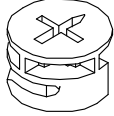



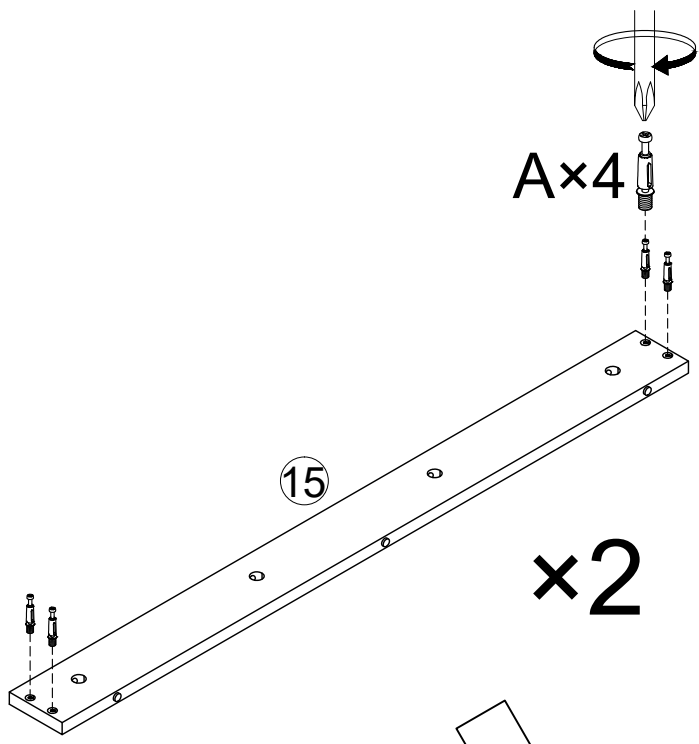
13

D M5*40 C Ø6*30
6PCS 6PCS

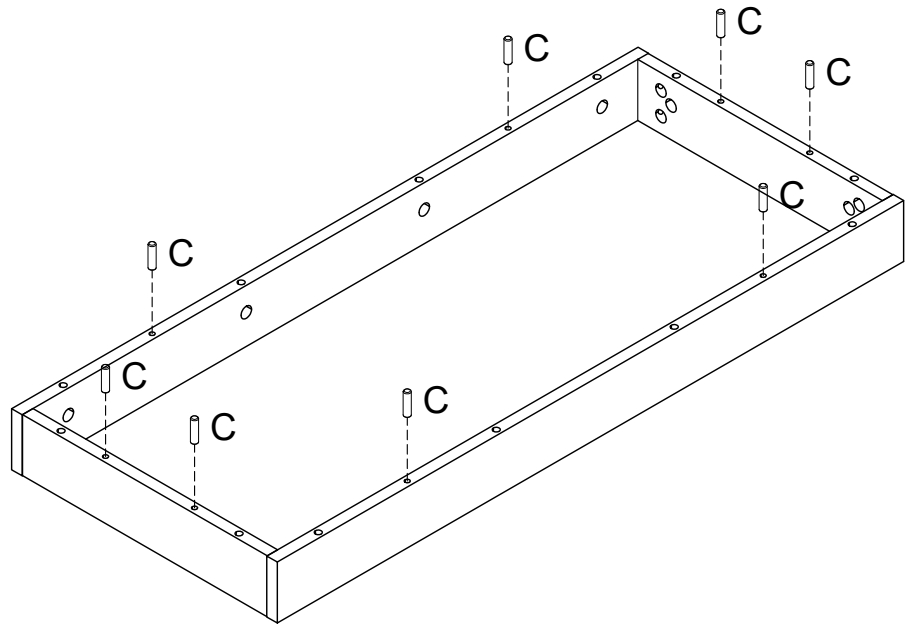
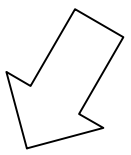
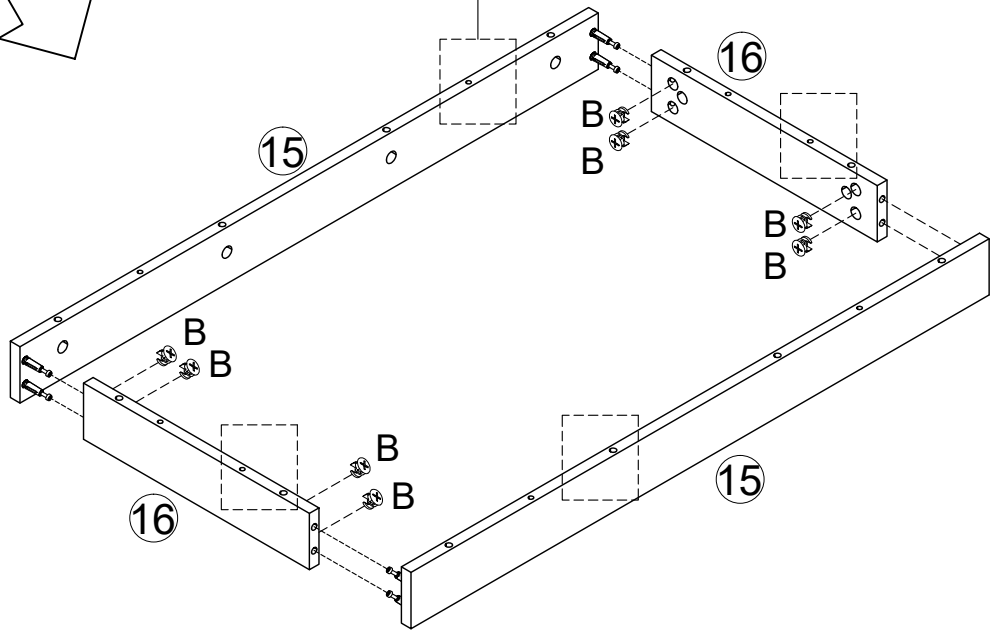
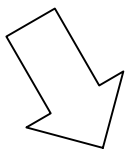
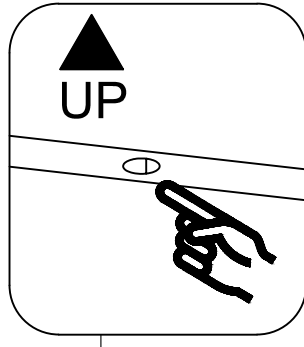


14

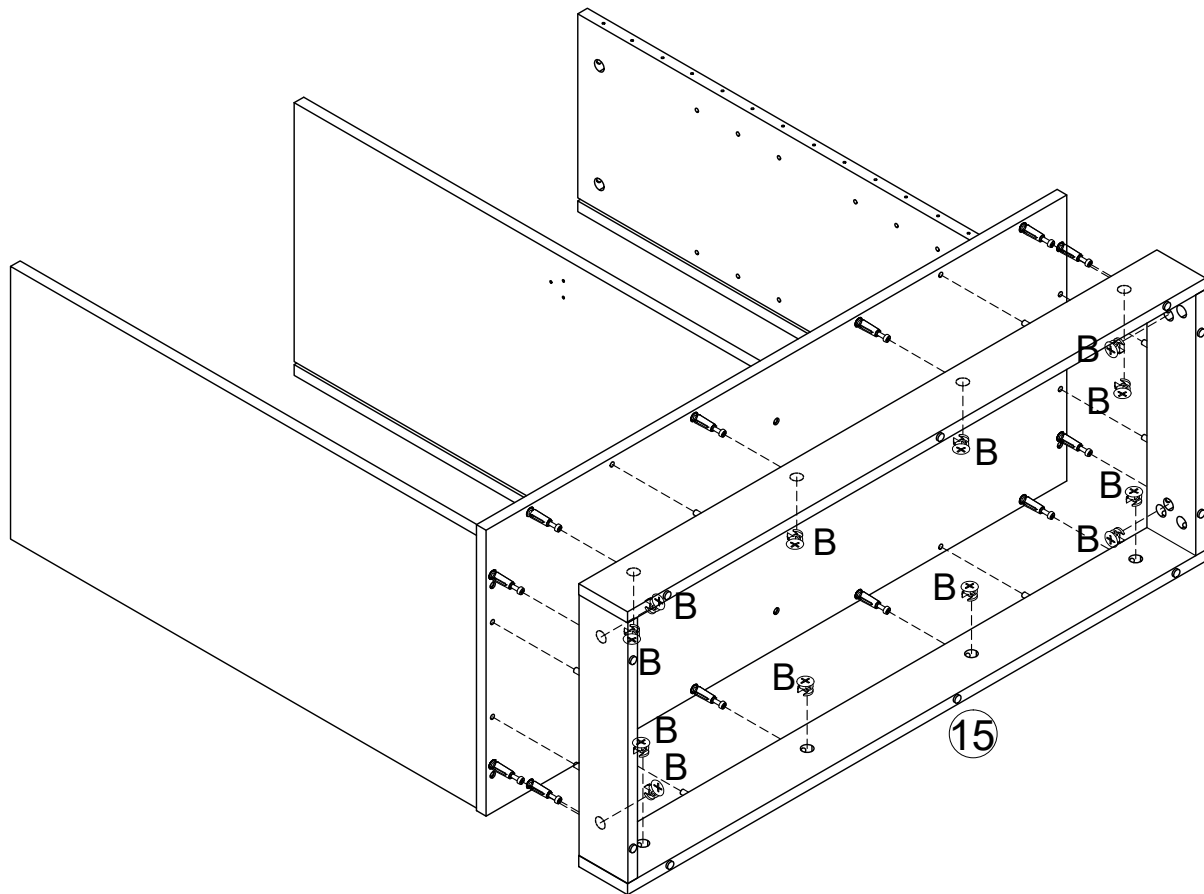
A	M6*40	B	Ø15*10	C	Ø6*30
					
8PCS		8PCS		8PCS	



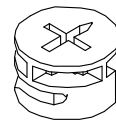
x2



15

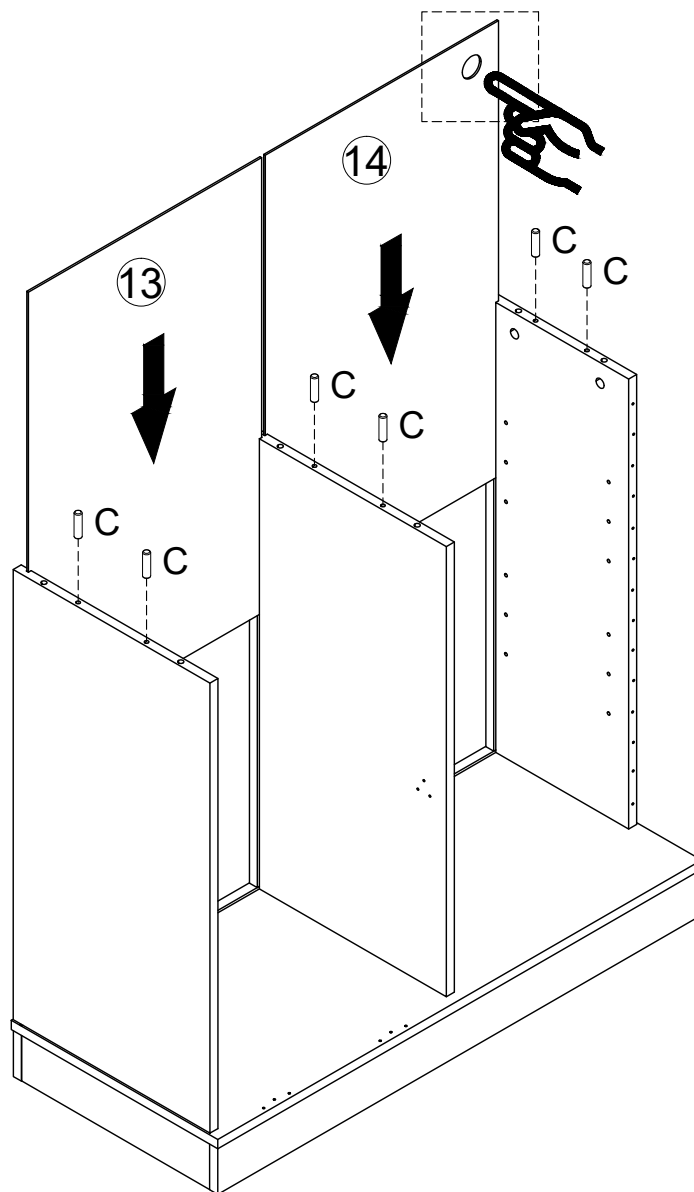


B Ø15*10



12PCS

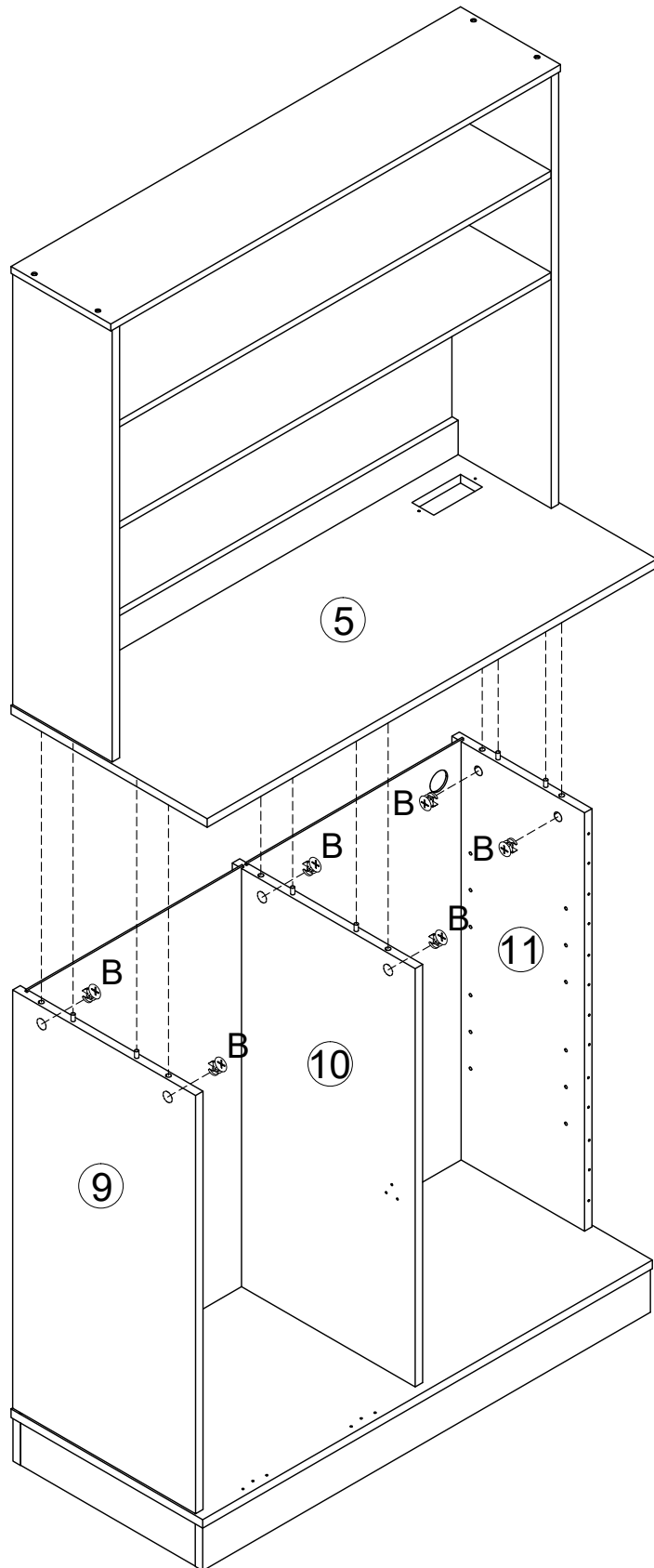
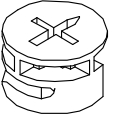
16



C Ø6*30

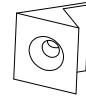


6PCS



18

J

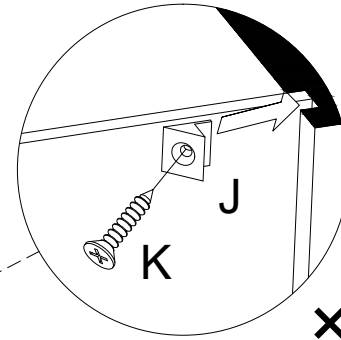
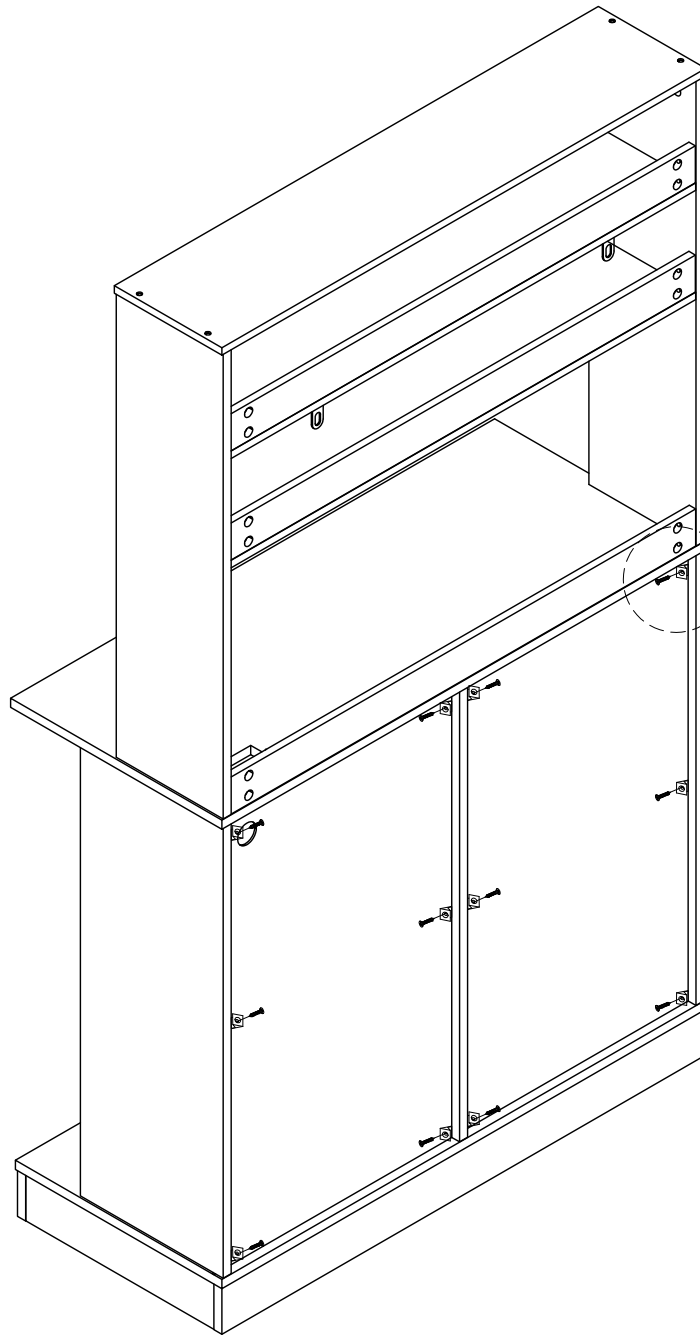


12PCS

K Ø3*14



12PCS



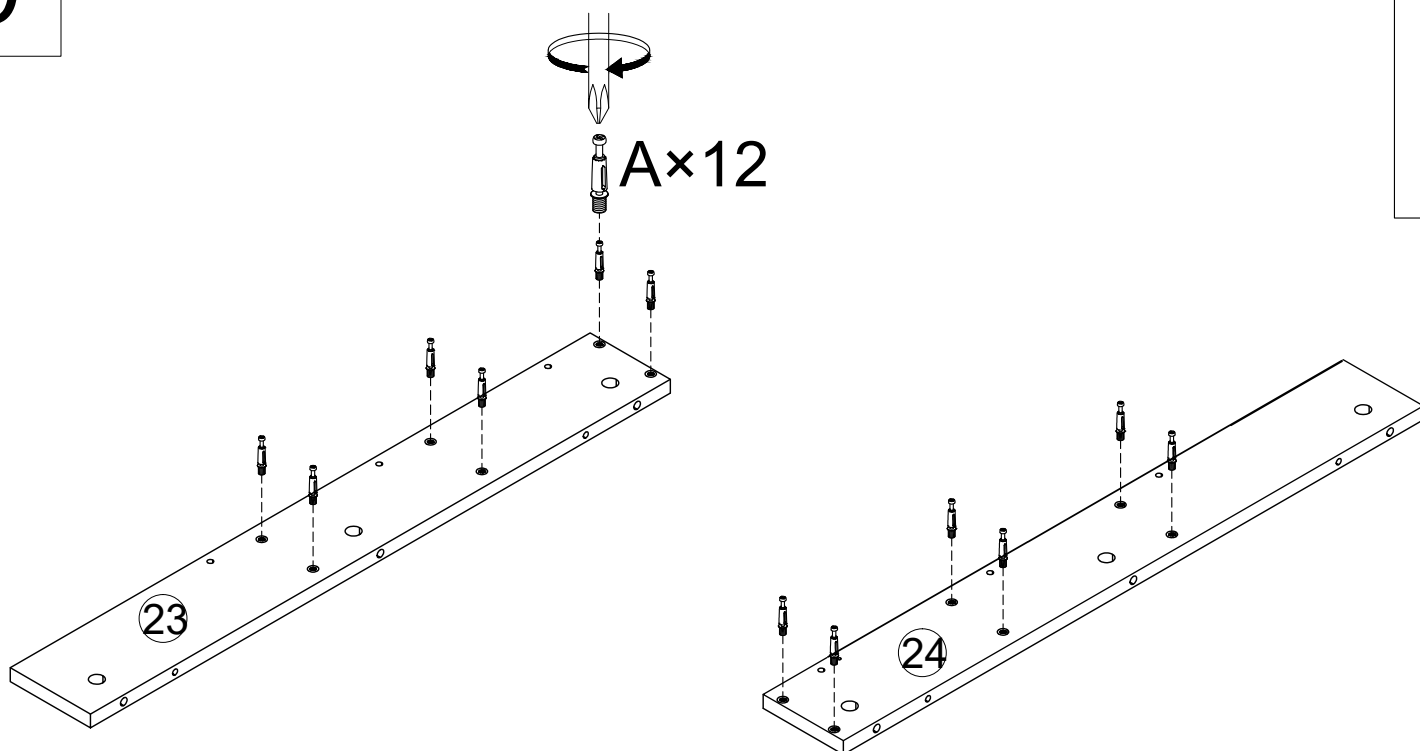
×12

19

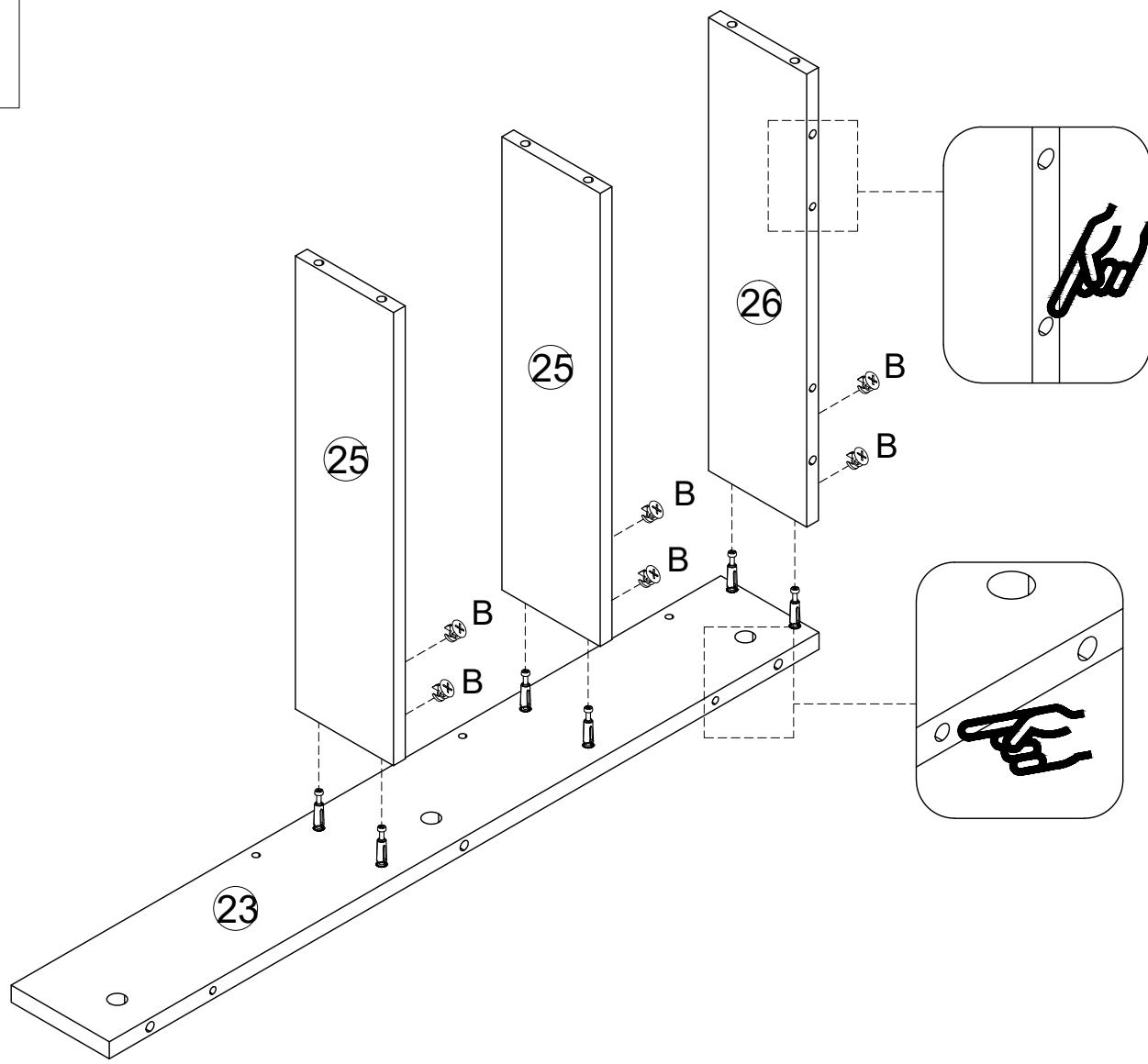
A M6*40



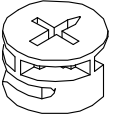
12PCS



20

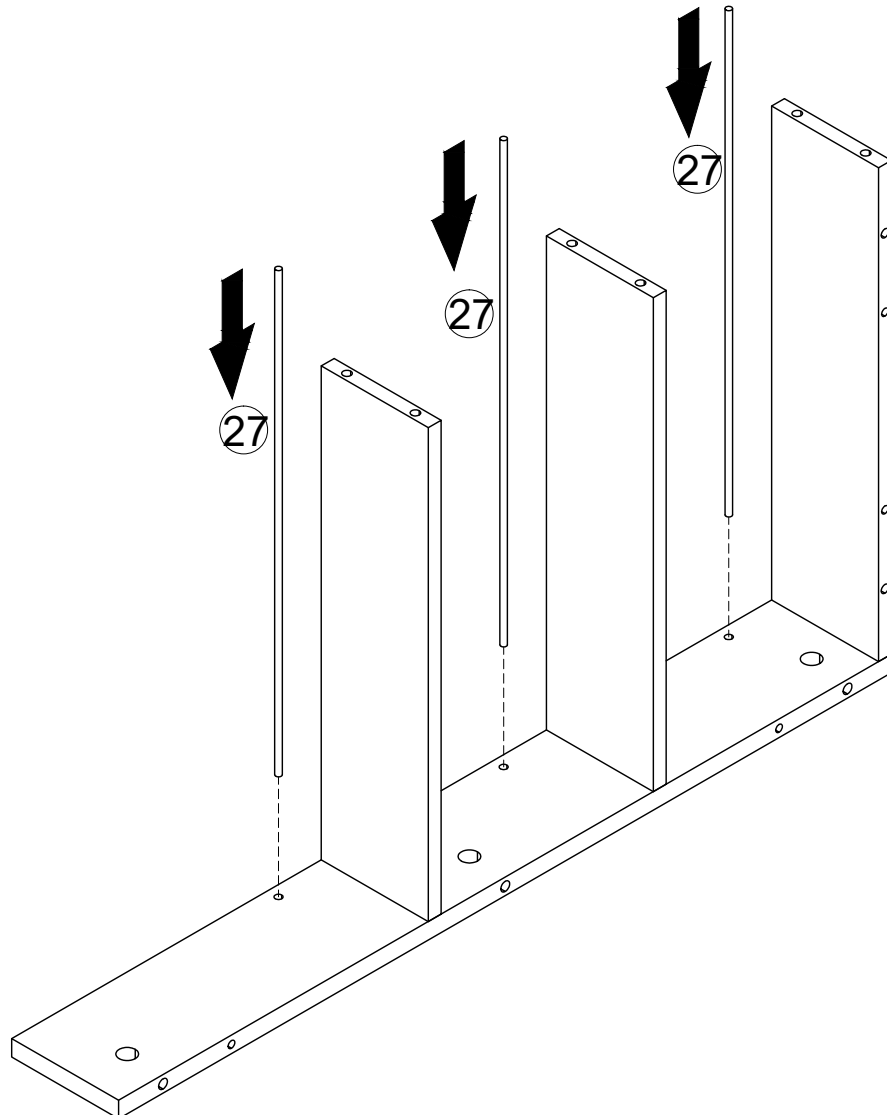


B Ø15*10

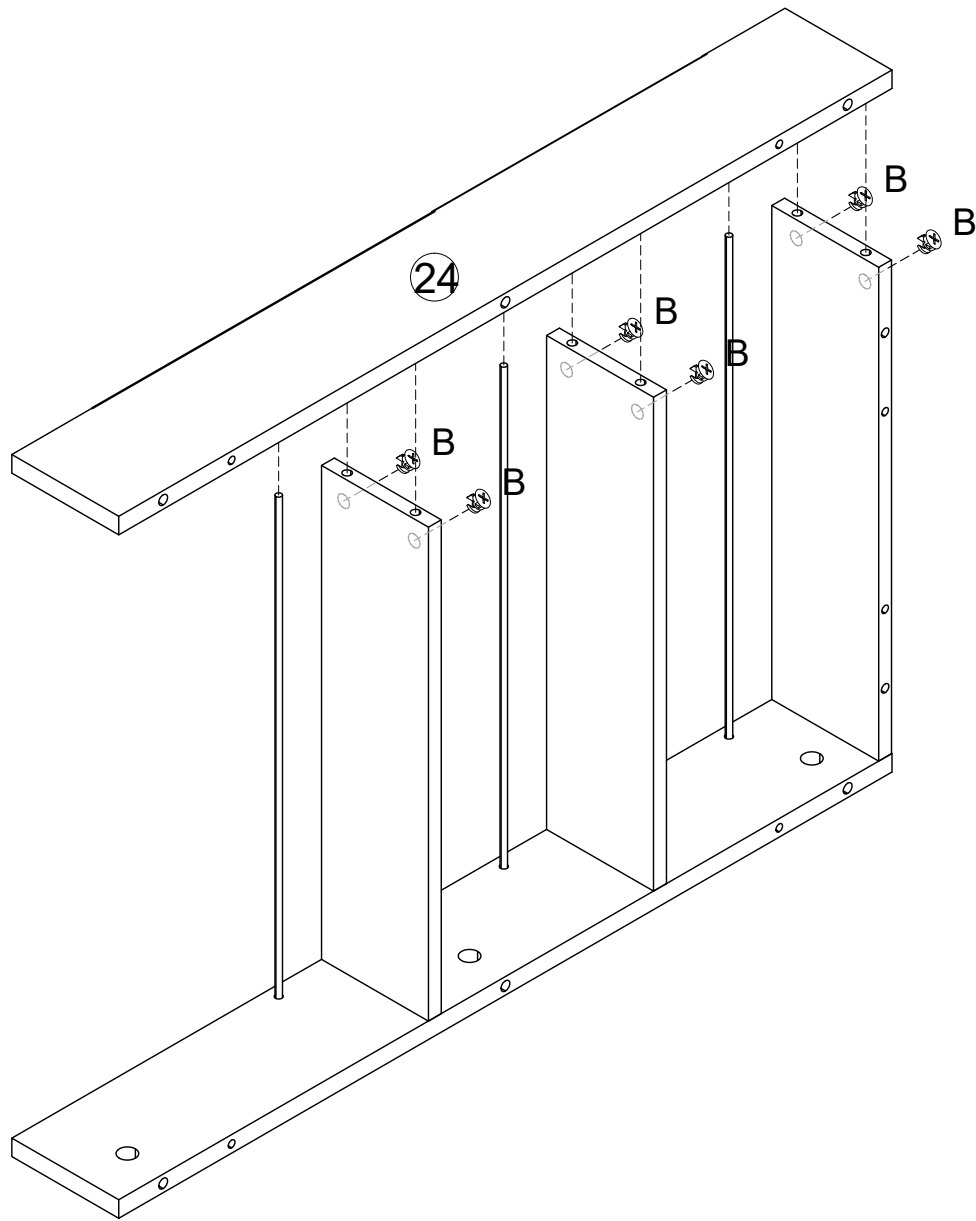


6PCS

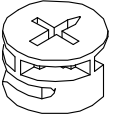
21



22

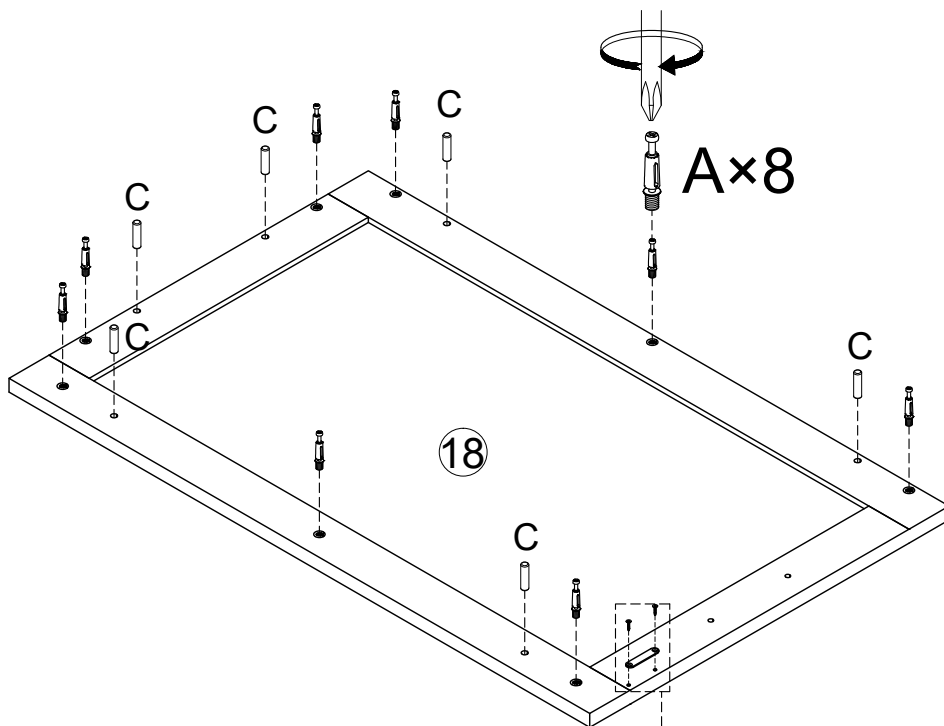


B Ø15*10



6PCS

23

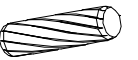


A M6*40



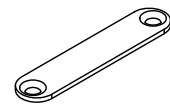
8PCS

C Ø6*30



6PCS

N

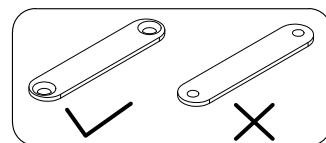
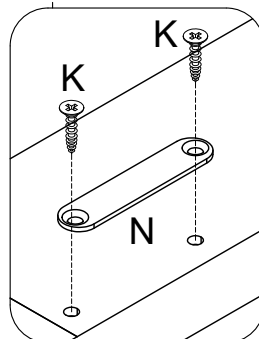


1PC

K Ø3*14

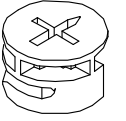


2PCS

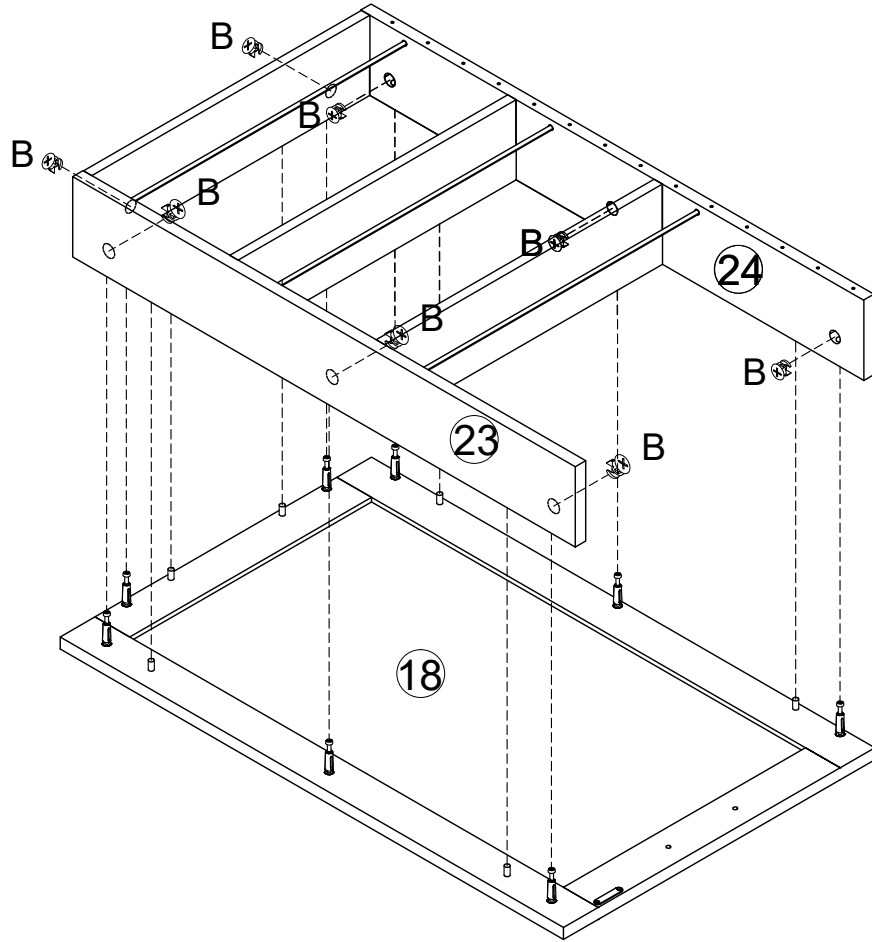


24

B Ø15*10

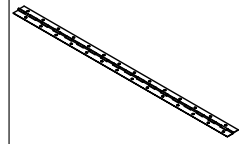


8PCS



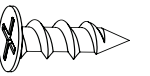
25

L



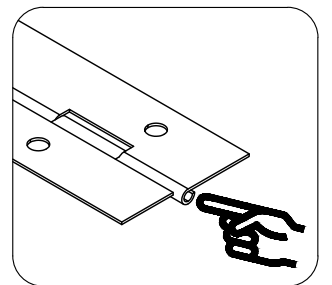
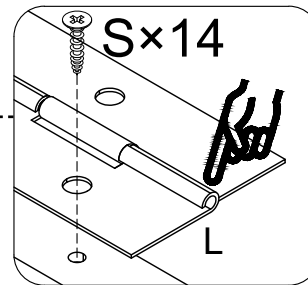
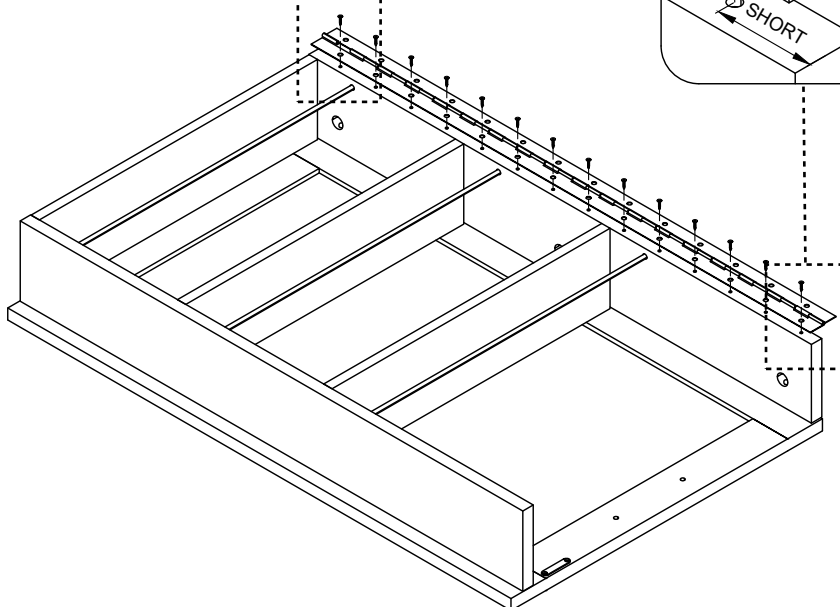
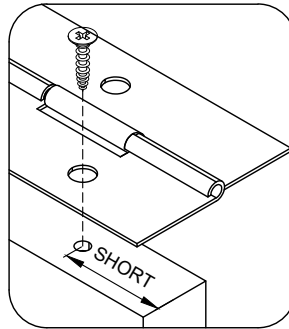
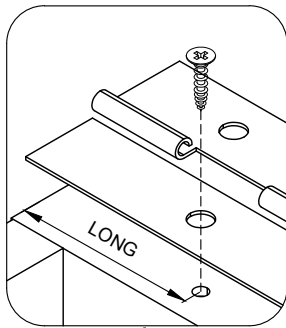
1PC

S Ø4*10

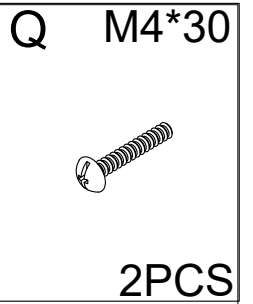
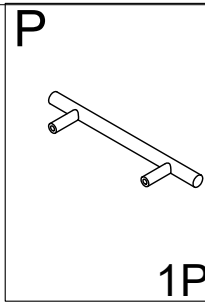
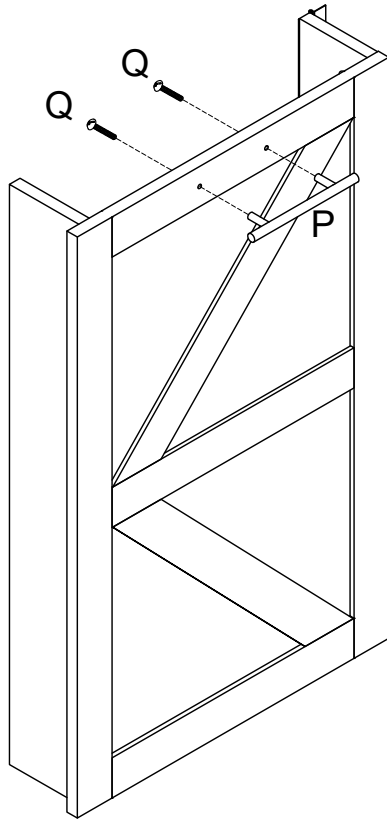


14PCS

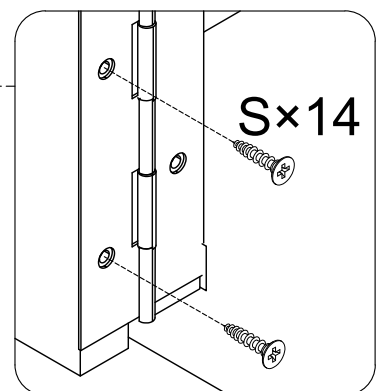
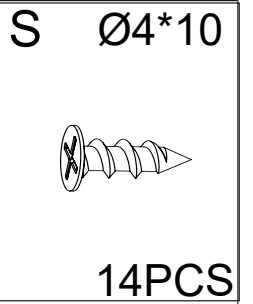
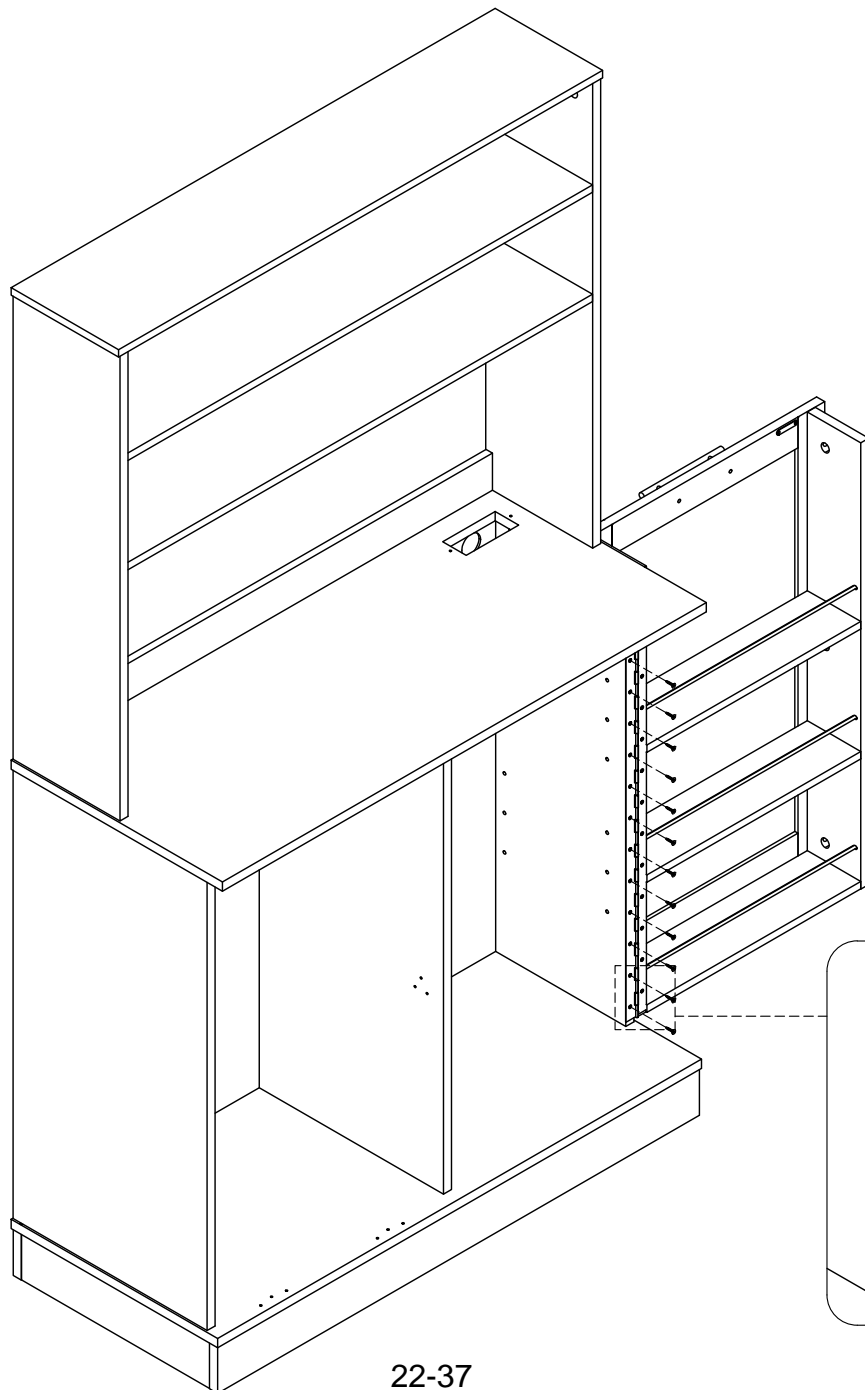
Pay attention to distinguishing the length of the hinges at both ends

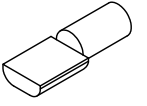


26

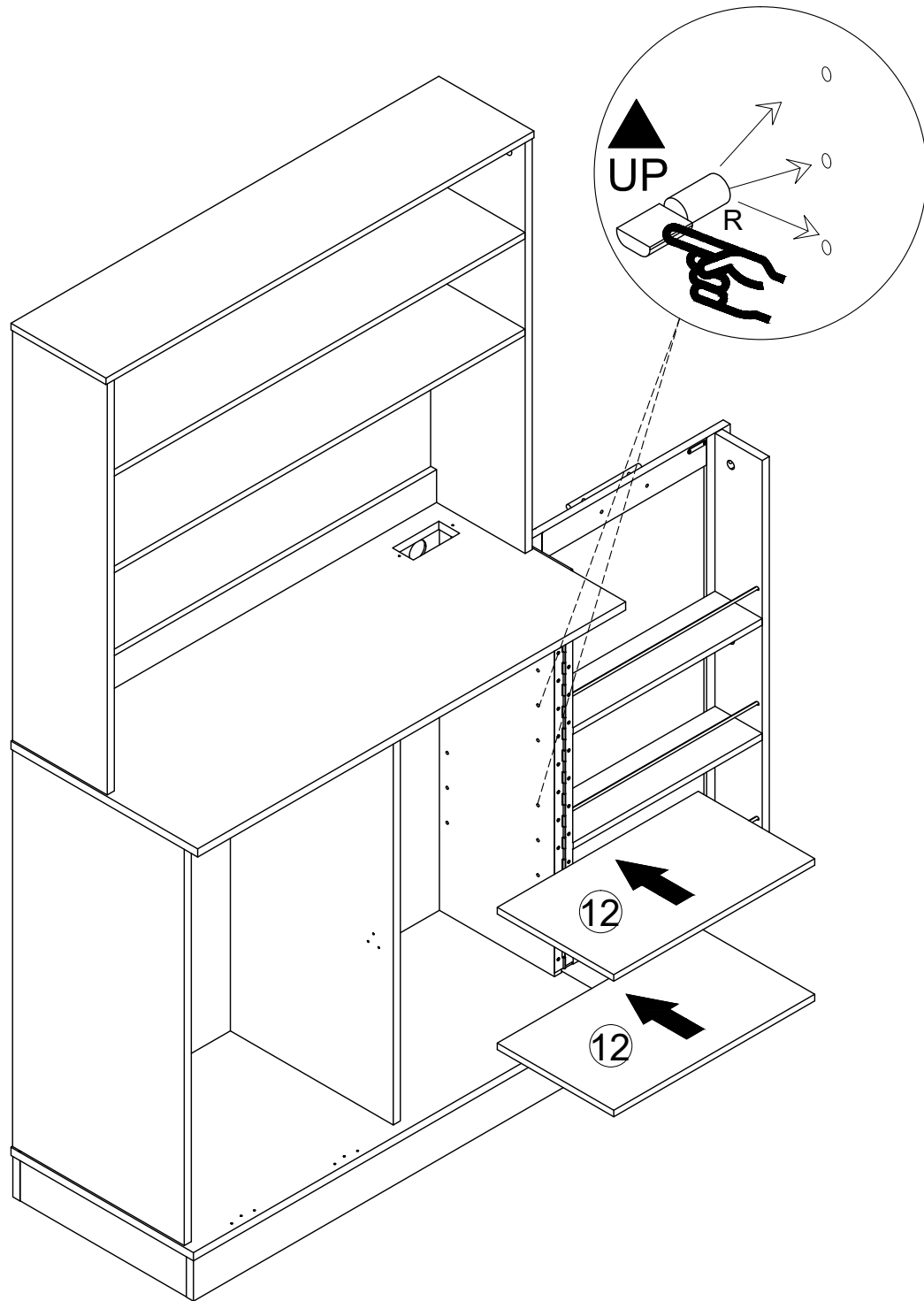


27





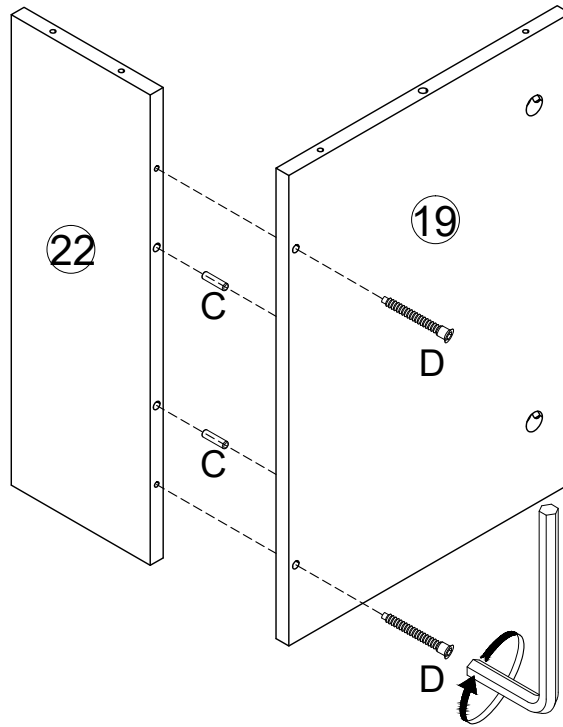


8PCS





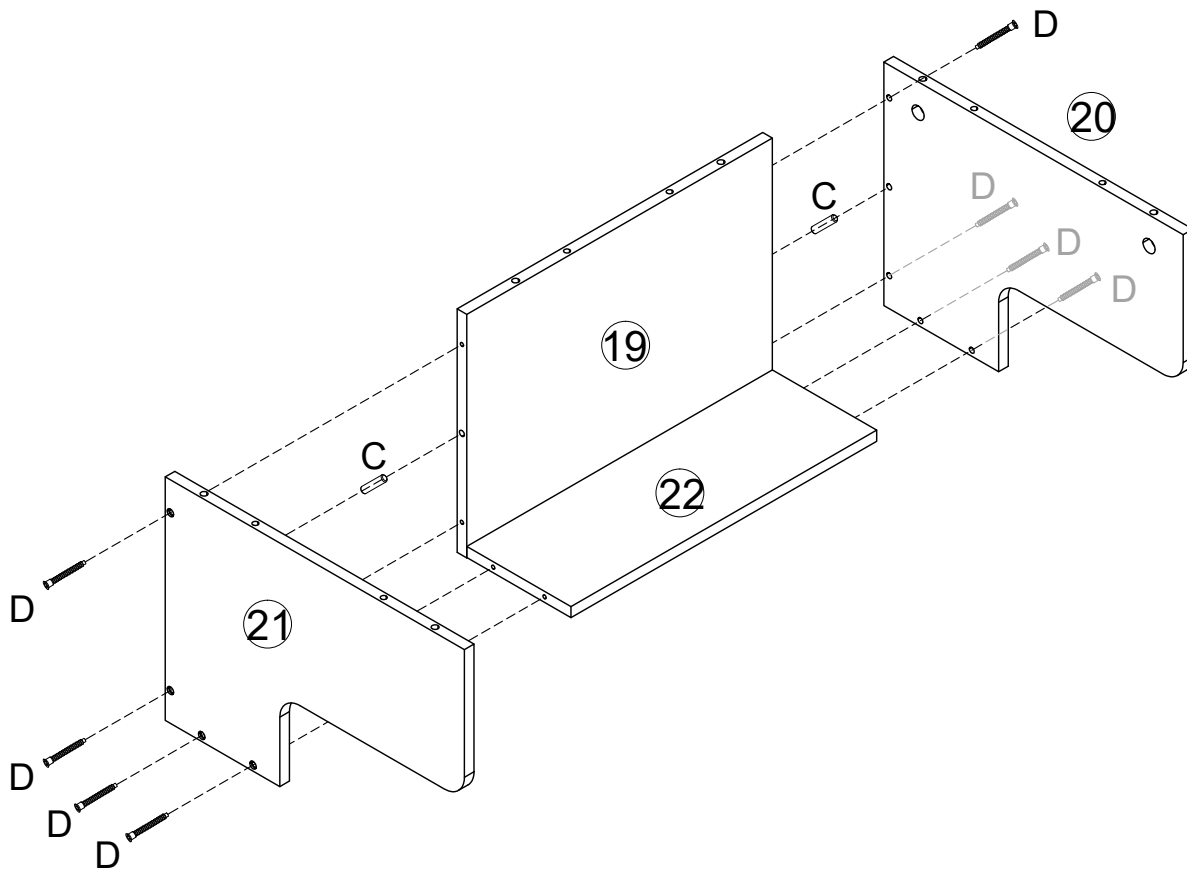
29

D	M5*40	C	Ø6*30
			
2PCS		2PCS	

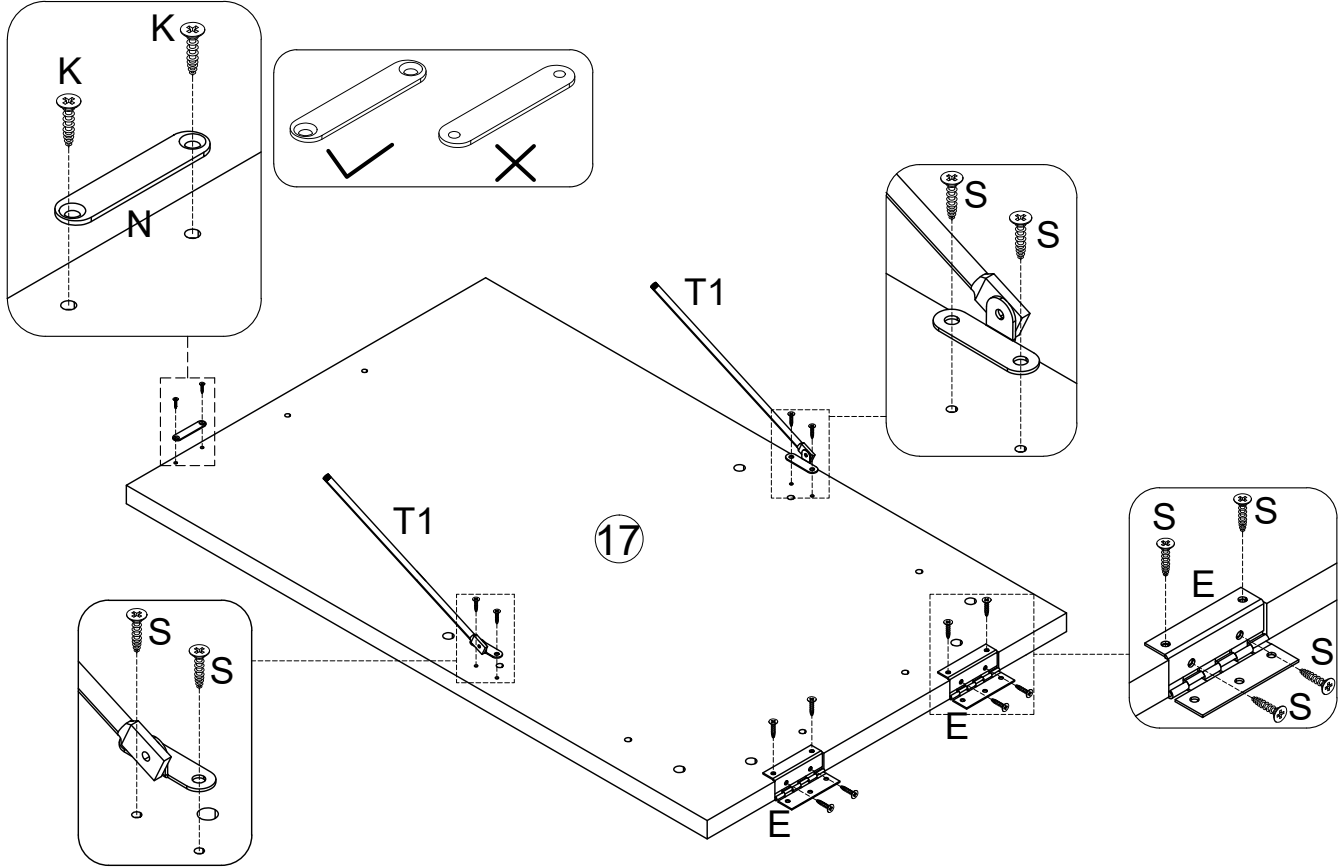
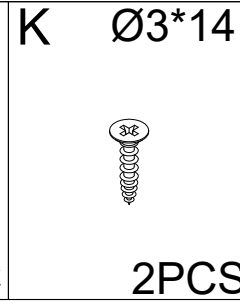
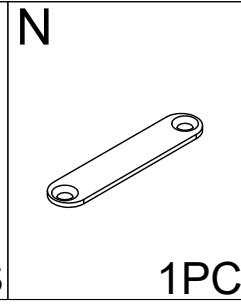
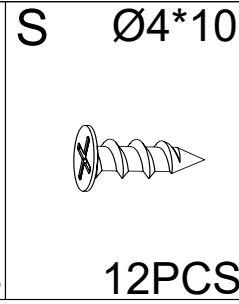
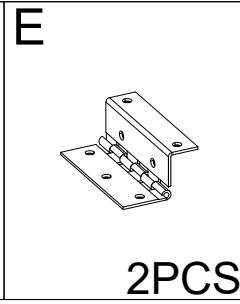
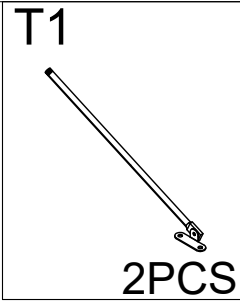


30

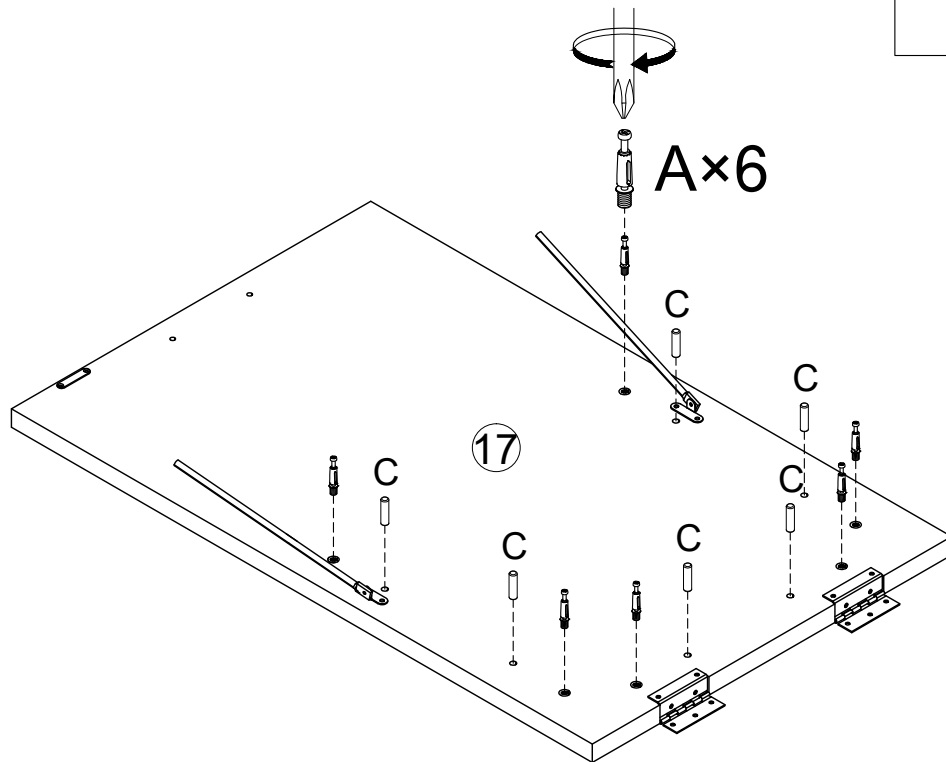
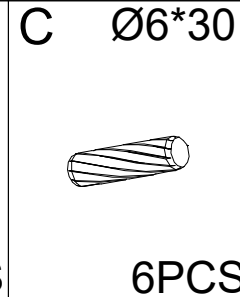
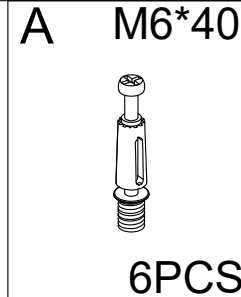
D	M5*40
	
8PCS	
C	Ø6*30
	
2PCS	



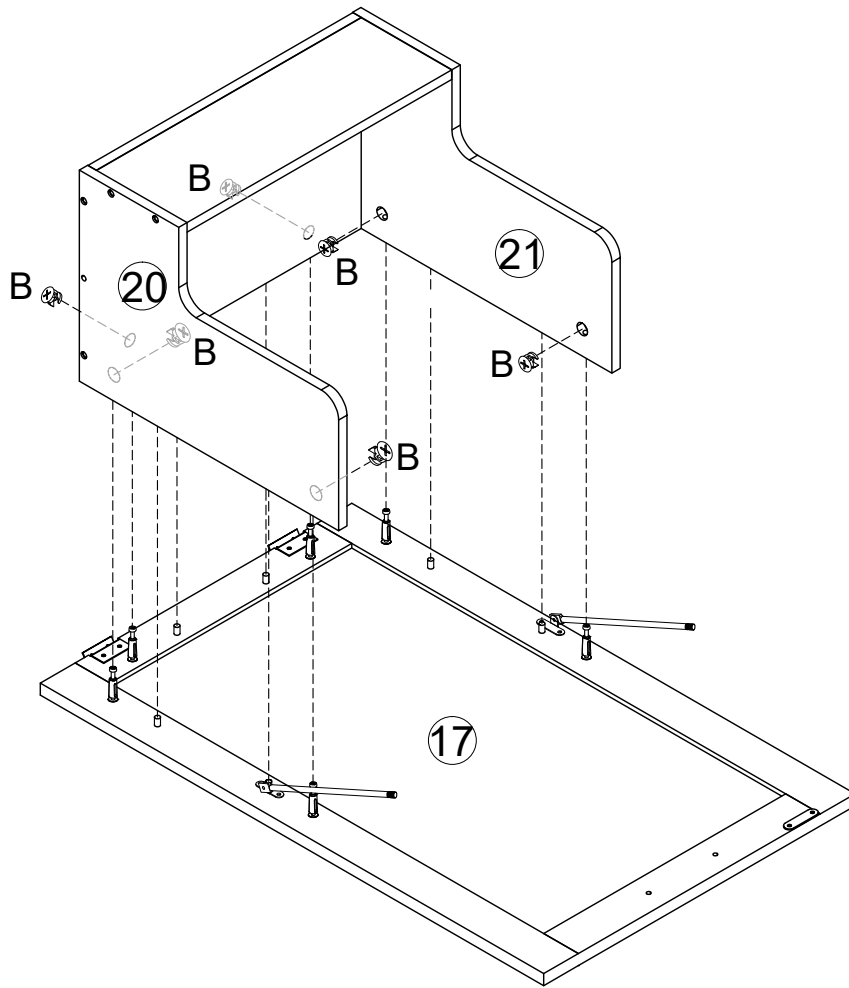
31



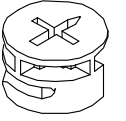
32



33

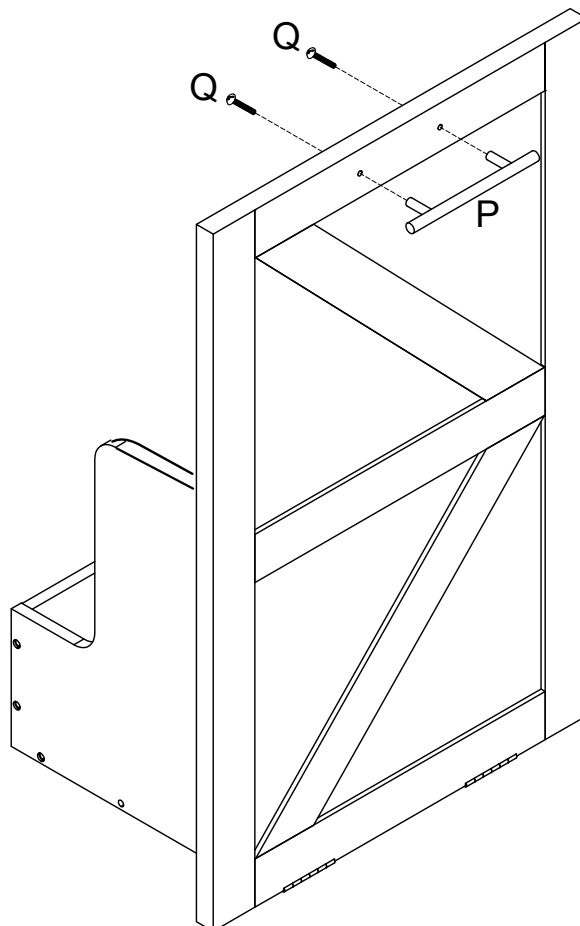


B Ø15*10

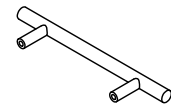


6PCS

34

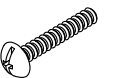


P



1PC

Q M4*30



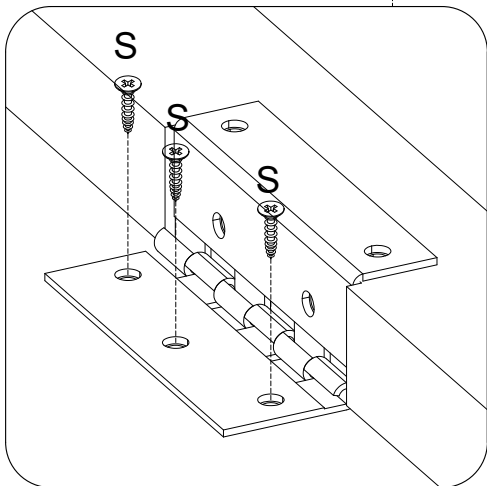
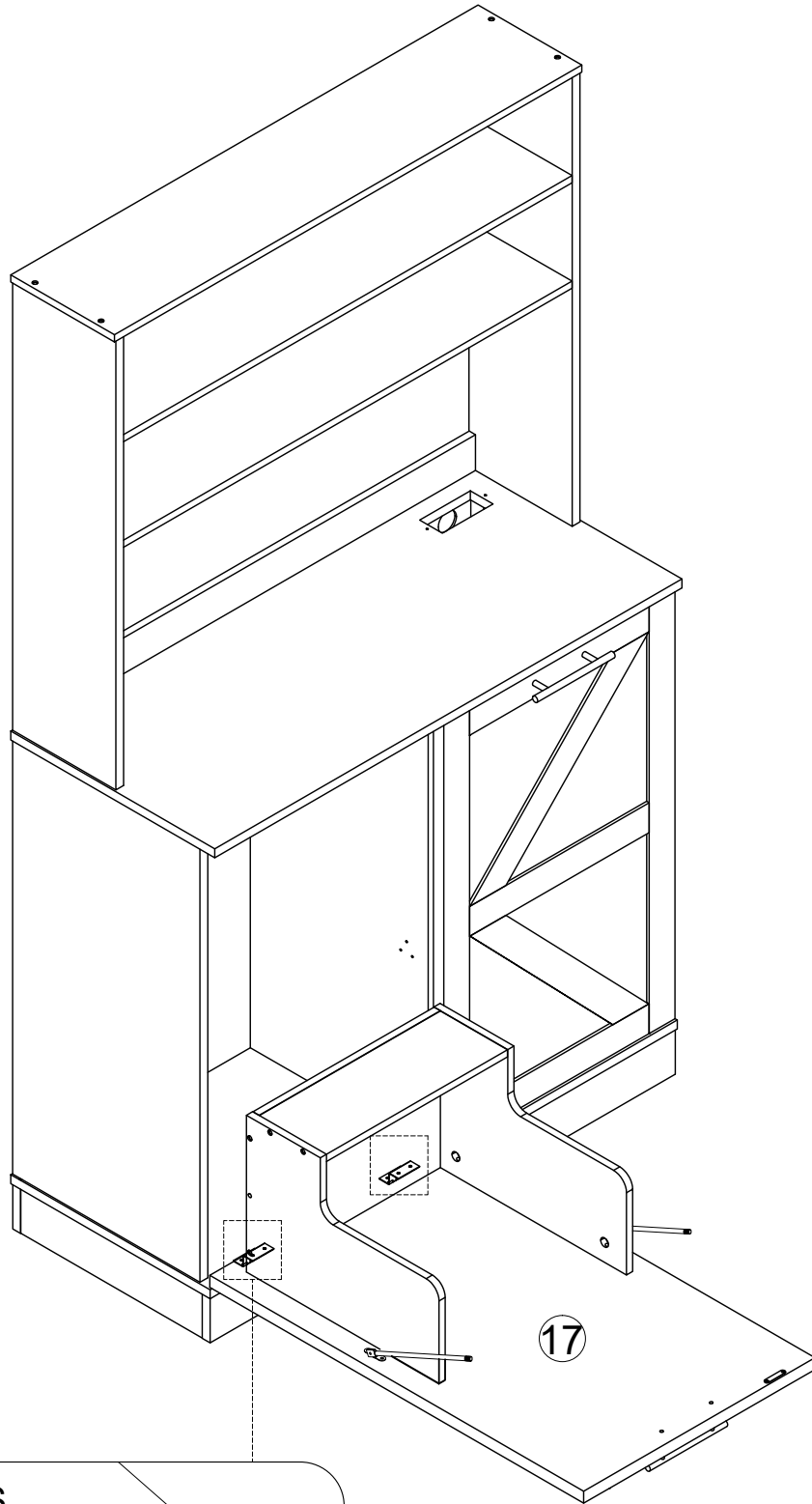
2PCS

35

S Ø4*10



6PCS



36

T2



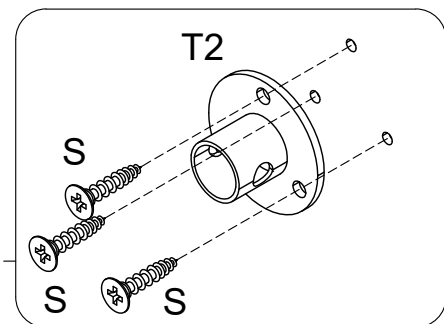
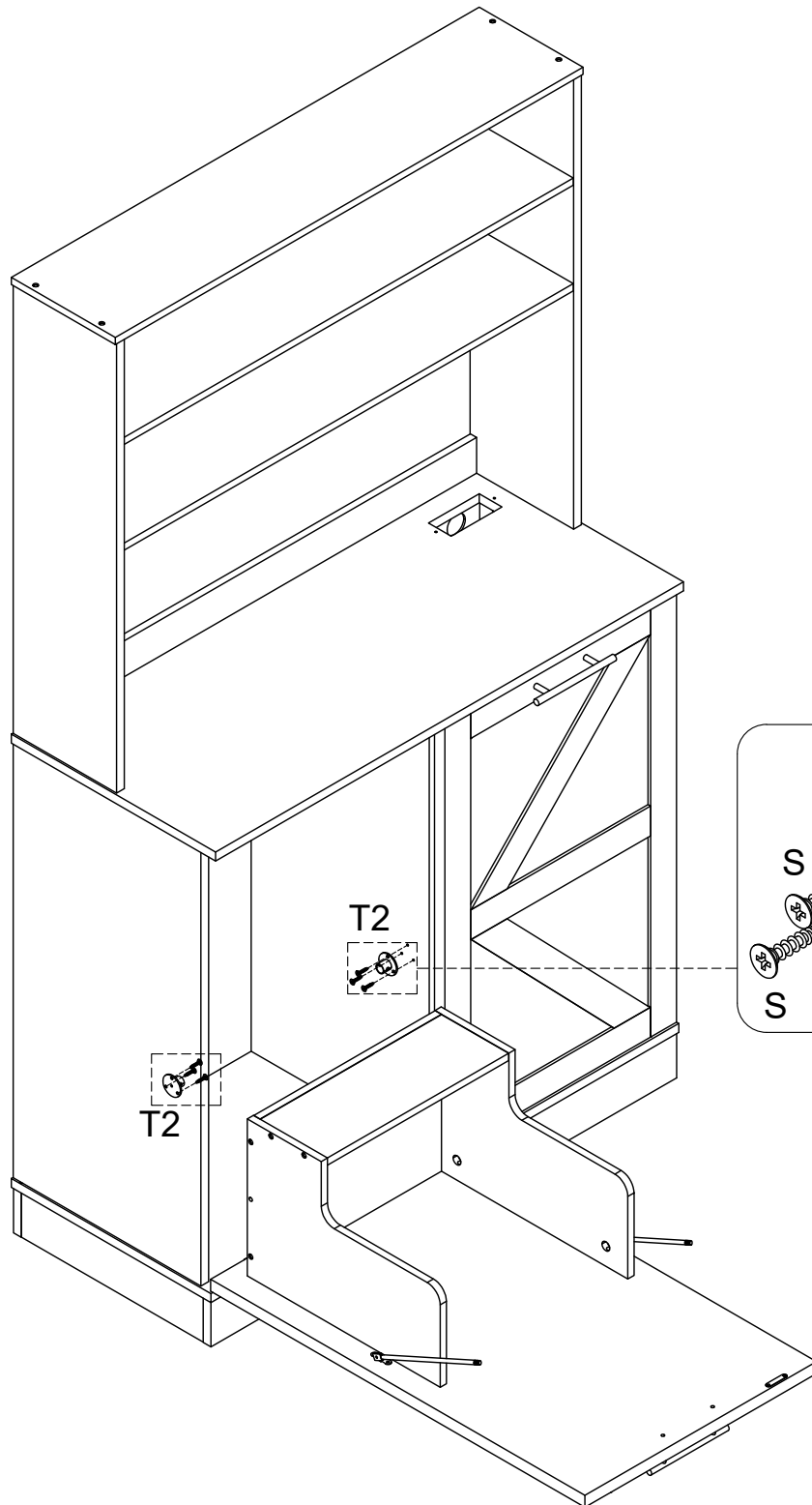
2PCS

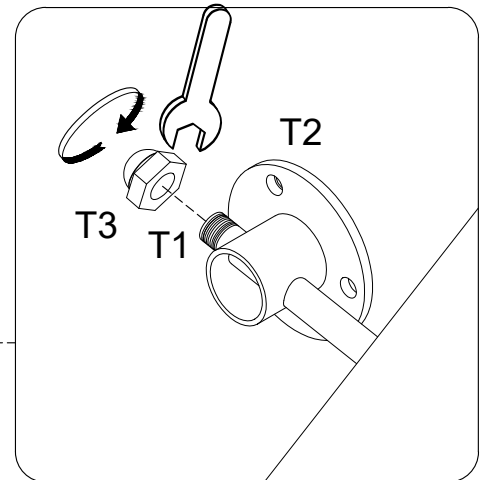
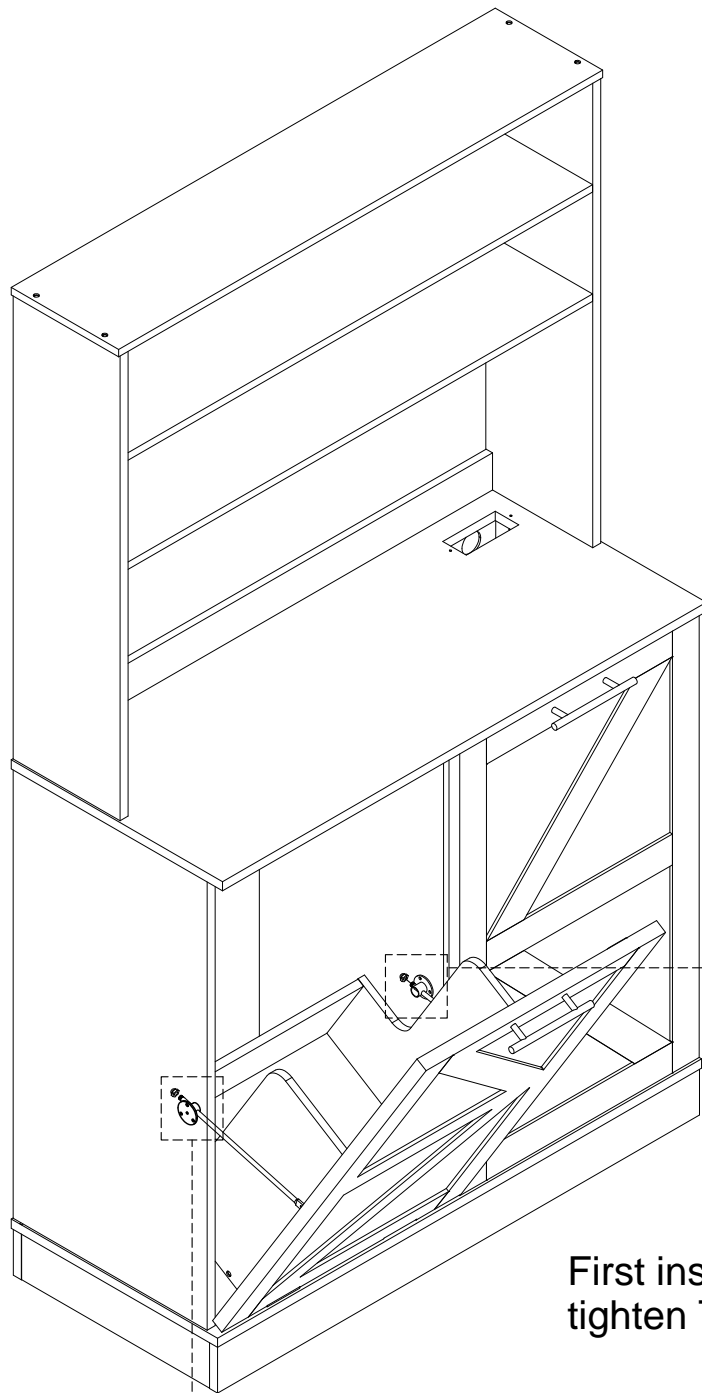
S

Ø4*10

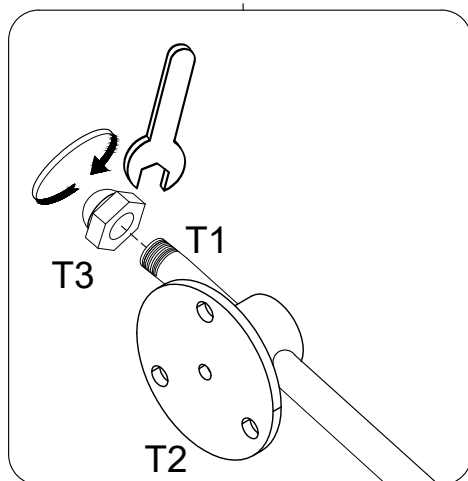


6PCS





First insert two T1s into T2, then tighten T3



Y

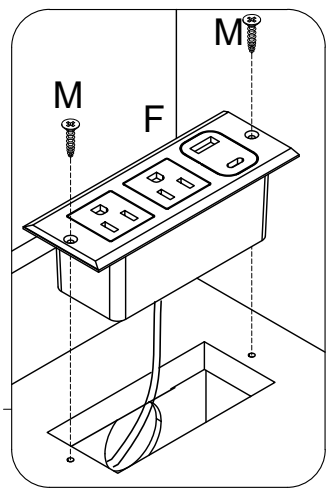
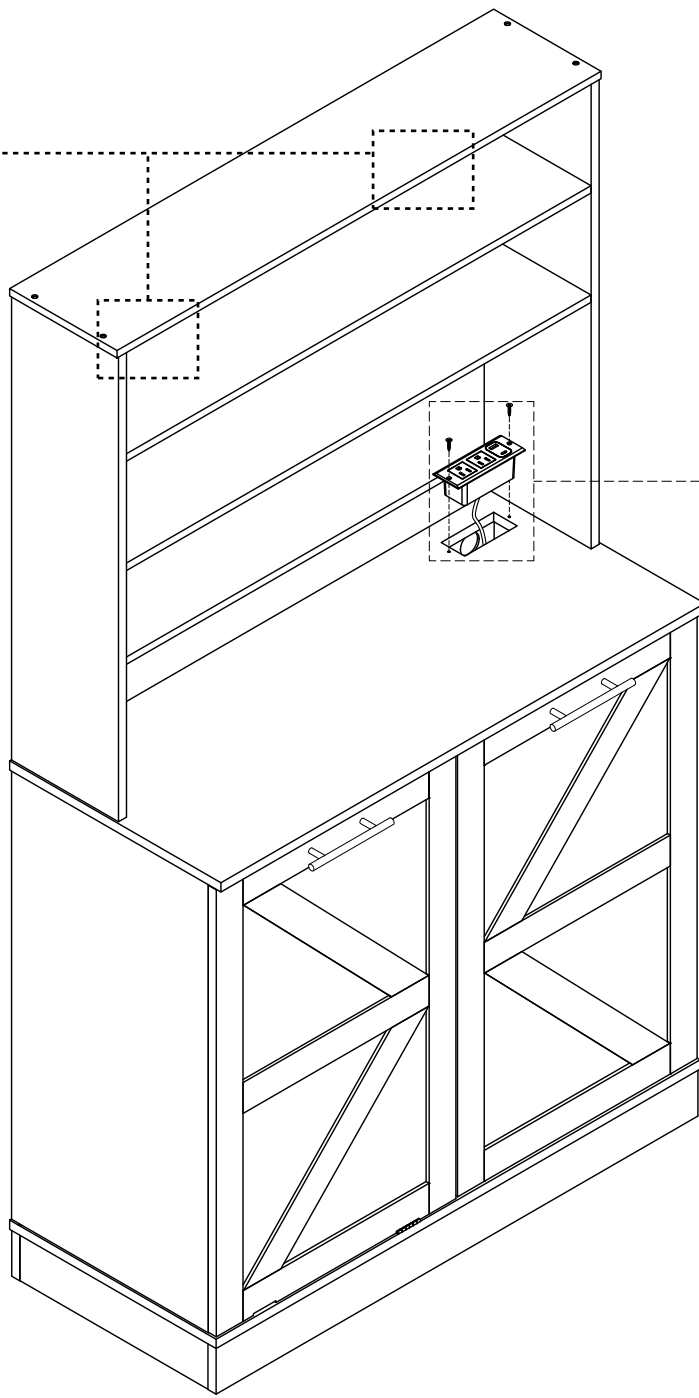
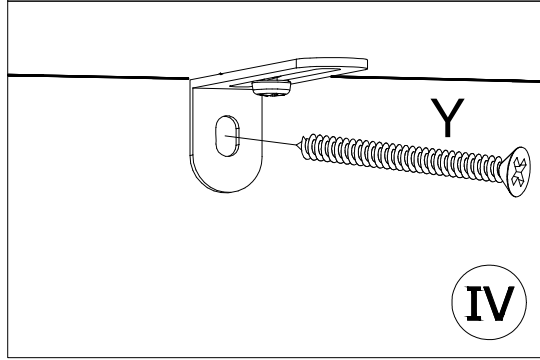
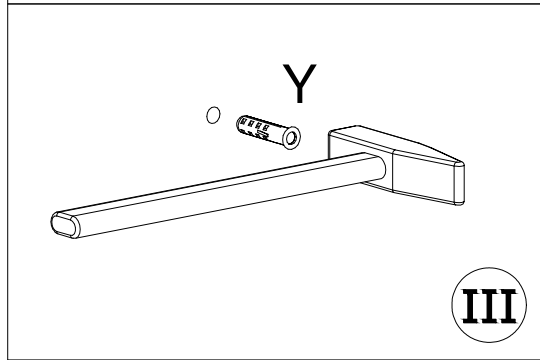
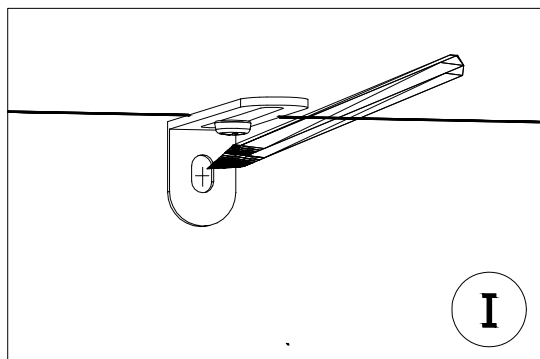
2PCS

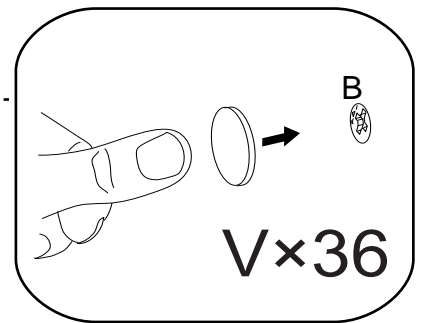
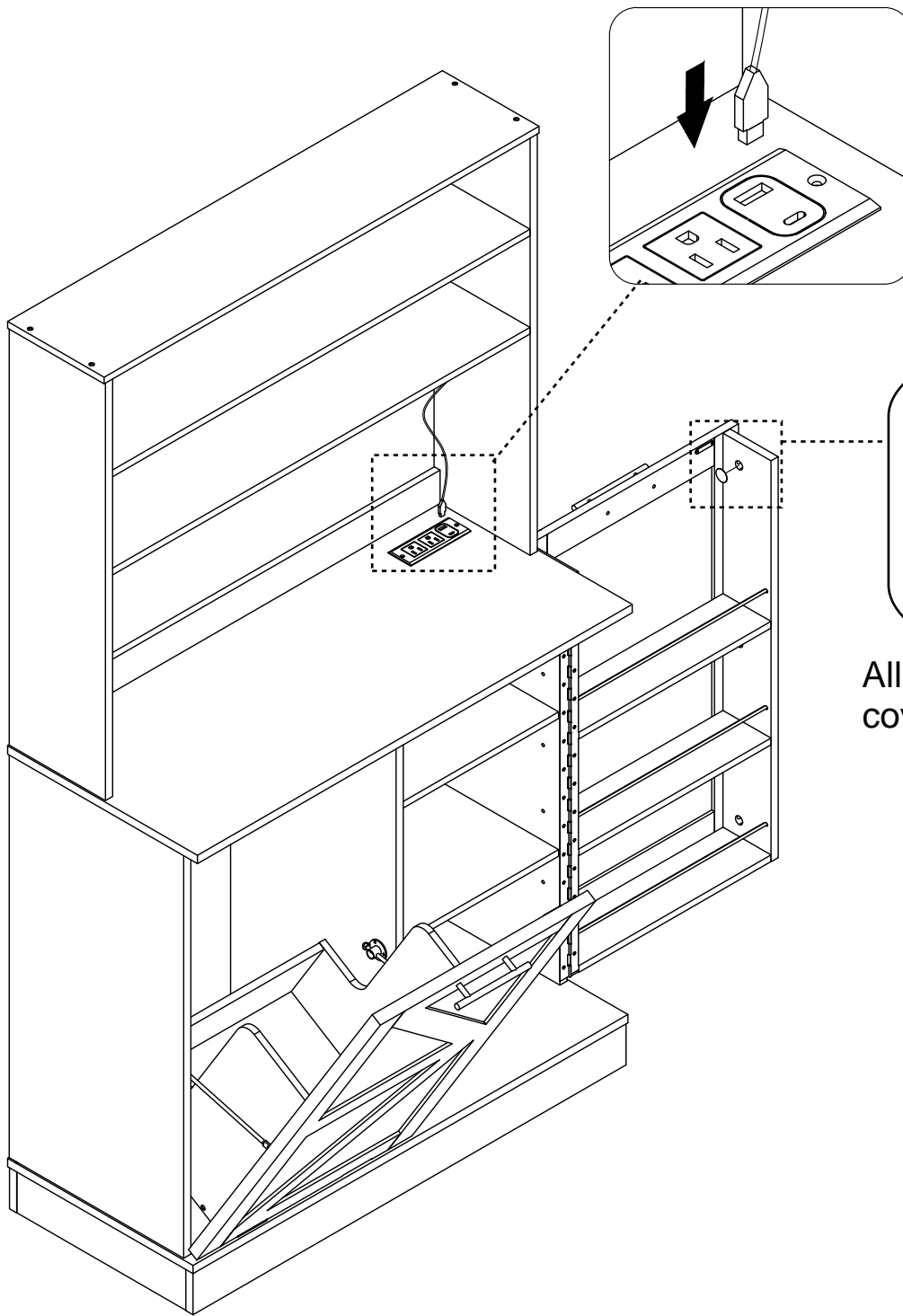
F

1PC

M Ø3.5*14

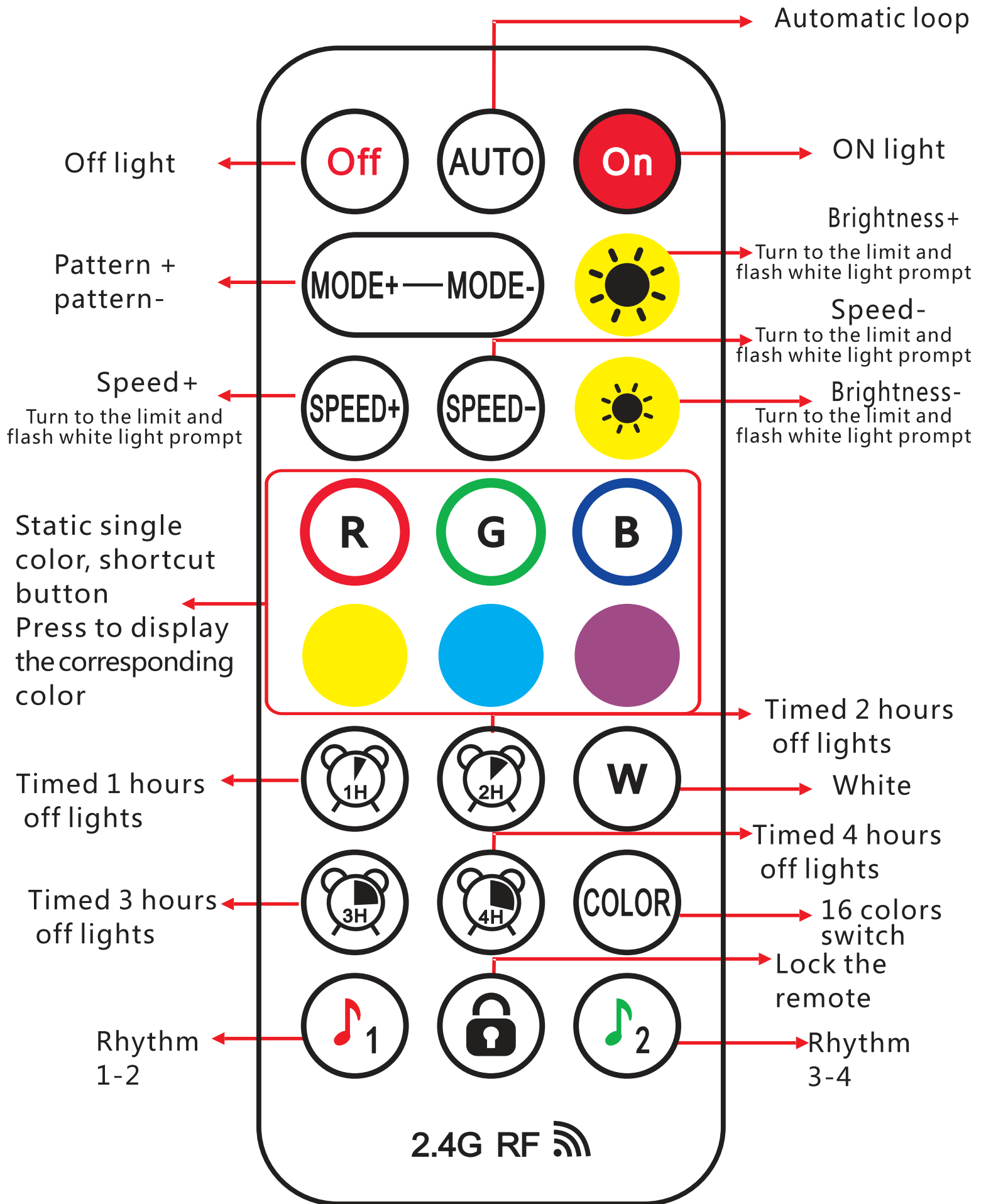
2PCS





All visible holes need to be covered with hole stickers

LED2025-24KEY



Rhythm 1-2: Single click to switch to 1-2 rhythm mode

Rhythm 3-4: Click to cycle through the 3-4 rhythm mode

Code matching function: Within 10 seconds of power on, press the lock button on the remote control, and the light will flash white three times, indicating that the code matching is complete. After the code matching is completed, only the remote control that has passed the code can remotely control the controller. Press the lock button again after the code matching is completed to decode the complex code function

LotusLantern APP Manual

1. Software Overview

1.1 Overview

LotusLantern is a mobile APP to control LED strip by both IOS and Android phones.

The traditional control ways like infrared, 433MHz, 2.4GHz and others old wired ways will be replaced by mobile phone control way with convenient, powerful and scalable features.

Through this mobile APP , you can not only control the color, brightness and color temperature of the LED strips but also set up all kinds of fancy flash mode ; Also this APP can change the light of the LED strip according to the rhythm of the music. This APP can set and control several LED strips through Bluetooth and the operation is very simple, easy to learn and easy to use.

1.2 Features

- Adjust color LED strips with 60,000 colors to change color and brightness and adjust monochrome LED strips to change brightness and color temperature
- Play music or turn on a sound playback device, you can let the light change the color and brightness with the rhythm of music, the music rhythm beautiful
- Inside multiple setting mode for color change and control LED strips without mobile
- Long distance control with omni-directional antenna, and many-to-many group control mode
- Once the connection is successful, connect automatically next time

1.3 Performance

LotusLantern APP is easy for use as well as great compatible with all kinds of smart phones; After the actual test of hundreds of mobile phones verification, the compatibility is above 95% of mobile phones in the market. APP is small and convenient, it consumes less system resources, so the requirements of the mobile configuration are low. Control delay is small, the operation feels good, light control is smooth with people's visual sense.

2. Operating Environment

This APP program requires phones of system above Andriod 4.3 and iOS 8.0. Mobile phone configuration is not limited.

3. Instructions

Note: Android version and iOS version download and use the same method, here in the Android version as an example.

3.1 APP Download

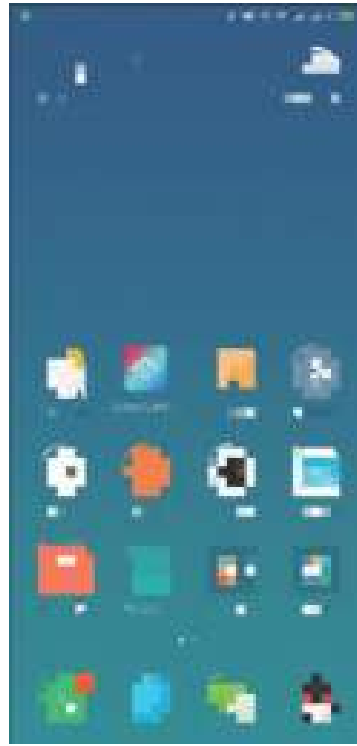
Scan the QR code

iOS and Android systems can download the "LotusLantern" APP by scanning the QR code. Open the browser or other tools with "Scan QR code" function, scan the "LotusLantern" QR code as below:



3.2 App Operation

(1) Click on the LotusLantern APP icon, enter the APP page:



(2) After entering the APP interface, if Bluetooth is not enabled, "an application wants to enable the Bluetooth function of this device." Click [Allow]



(3) switch to color and brightness interface:

Click to show the lamp list

Switch the color wheel

Display the RGB value
Click to manual adjustment view

Click to shift the interface



Click to display setting view

Lamp switch button

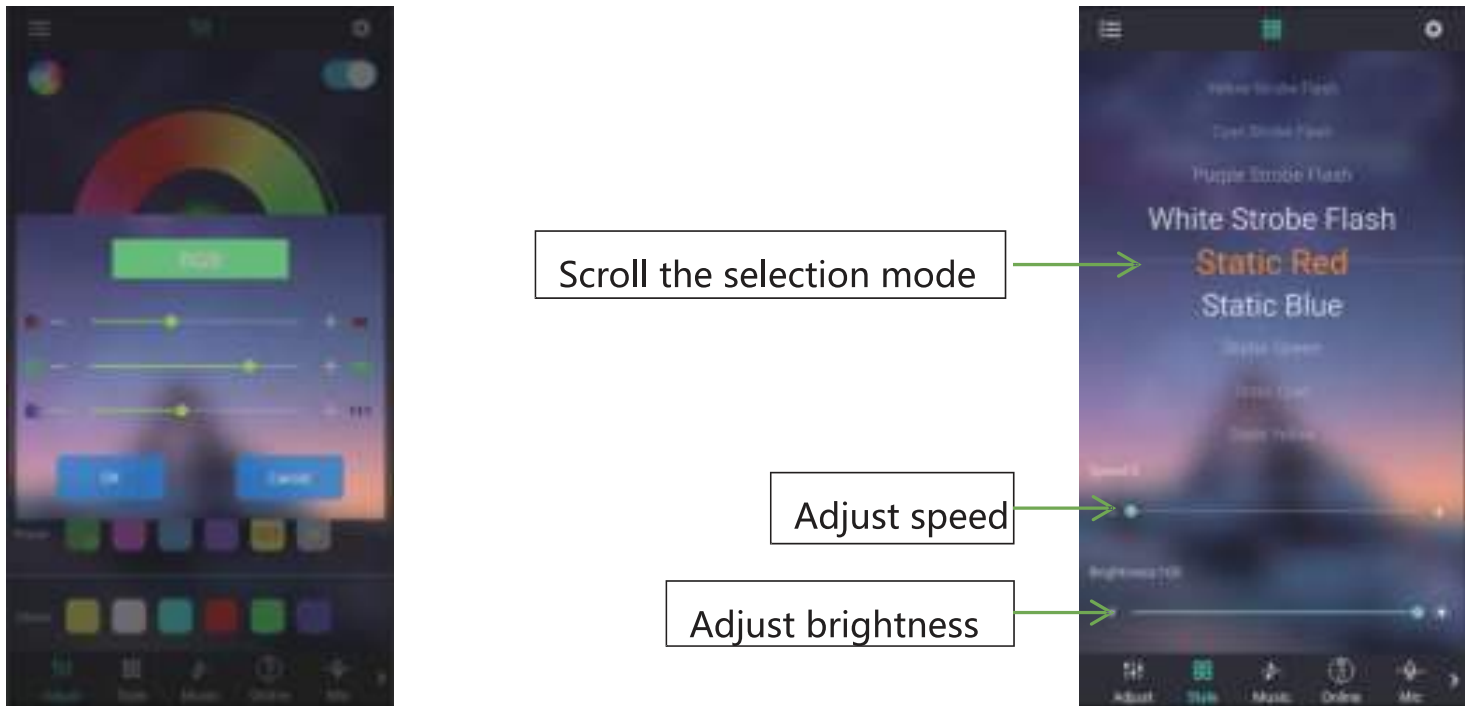
Adjust the color

Click square icon to adjust the color

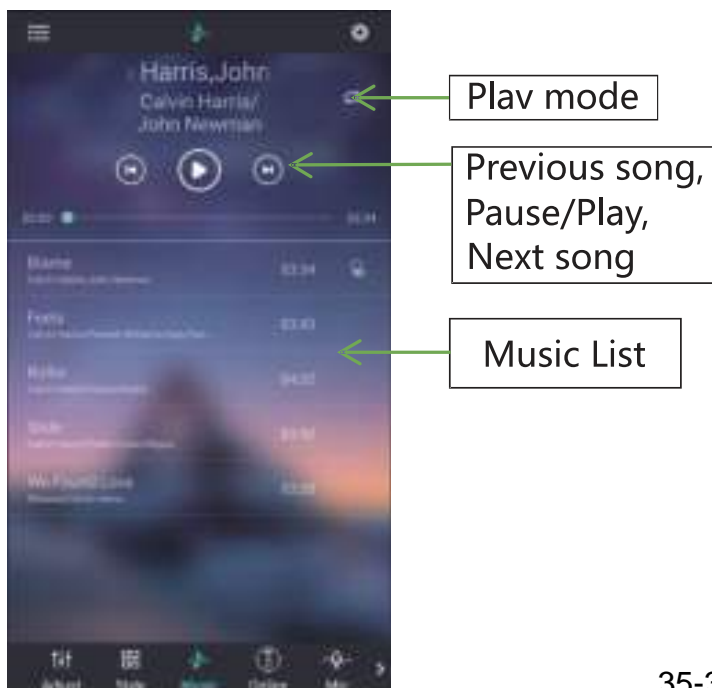
(4) click to show the lamp list, view lamp list:



(5) Click to RGB manual adjustment view: (6) switch to the mode interface:



(7) switch to the music rhythm interface:



(8) Switch to the online music interface:



(9) Switch to the microphone rhythm interface:



Switch phone microphone and external microphone



4-style rhythm

Change the sensitivity of MIC to match the sound

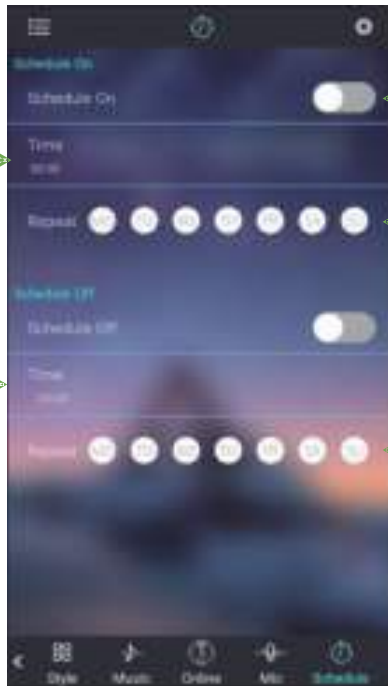
Music rhythm through cell phone microphone

Music rhythm through the microphone on the product

(10) Switch to the schedule interface:

Set the time of Light-On

Set the time of Light-Off



Enable or disable the Light-On function

Repeat setting
No selection for once Light-On

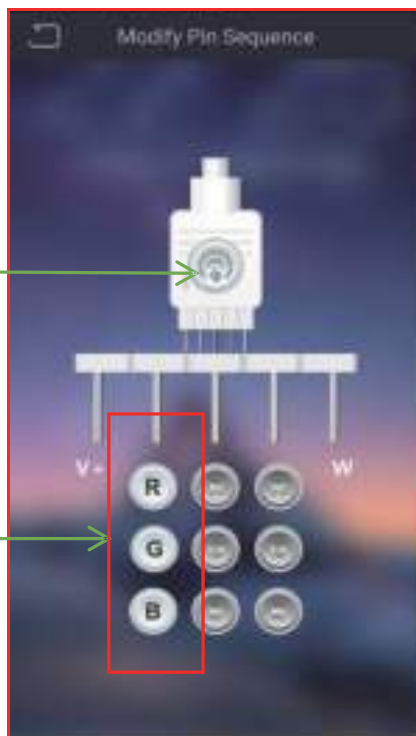
Enable or disable the Light-Off function

Repeat setting
No selection for once Light-Off

(11) Switch to the modify pin sequence interface:

Click to save the new assignment

Change the real color of this line



Remove the transparent plastic before use.

Technical parameters:

Working temperature: -20-60°C (-4 F°-140 F°)

Power supply voltage: DC5-24V

Output: 3 Loops

Connection mode: Wireless 2.4G

Remote control distance: 8-15 meters

Remote control mode: Wireless control,
remote control signal can pass through the
wall for remote control

The size of remote controller: L120*W49*

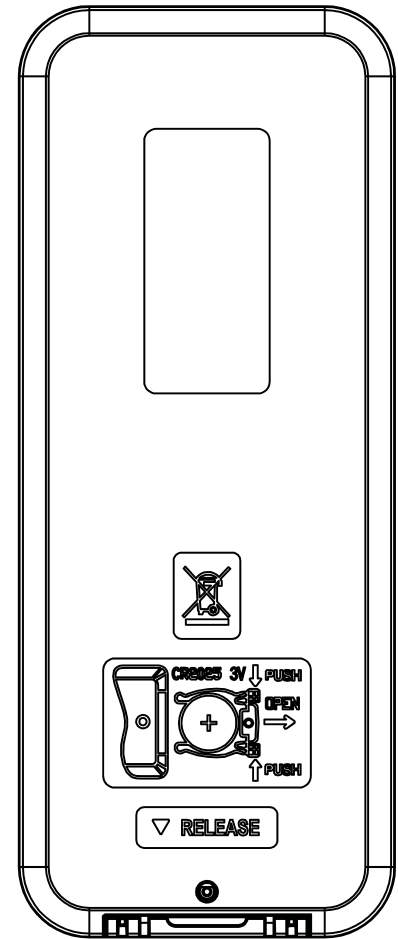
H7.5 mm (L4.7"*W1.9 ""*H 0.2")

Static power consumption: <0.5W

Output current: <3A(each circuit)5V <30W

12V<108 24V<21 6W

Install/Replace Battery



- 1: Remove and immediately recycle or dispose of used batteries according to local regulations and keep away from children. Do NOT dispose of batteries in household trash or incinerate.
- 2: Even used batteries may cause severe injury or death.
- 3: Call a local poison control center for treatment information.
- 4: Battery type: Button cell (CR2025).
- 5: Nominal battery voltage: (3-3.6)V.
- 6: Non-rechargeable batteries are not to be recharged.
- 7: Do not force discharge, recharge, disassemble, heat above 60 °C or incinerate. Doing so may result in injury due to venting, leakage or explosion resulting in chemical burns.
- 8: Ensure the batteries are installed correctly according to polarity (+ and -).
- 9: Remove and immediately recycle or dispose of batteries from equipment not used for an extended period of time according to local regulations.
- 10: Always completely secure the battery compartment. If the battery compartment does not close securely, stop using the product, remove the batteries, and keep them away from children.
- 11: Do not mix old and new batteries, different brands or types of batteries, such as alkaline, carbon-zinc, or rechargeable batteries.

⚠ WARNING	
<ul style="list-style-type: none">• INGESTION HAZARD: This product contains a button cell or coin battery.• DEATH or serious injury can occur if ingested. A swallowed button cell or coin battery can cause Internal Chemical Burns in as little as 2 hours.• KEEP new and used batteries OUT OF REACH of CHILDREN• Seek immediate medical attention if a battery is suspected to be swallowed or inserted inside any part of the body.	