

CE

INFRARED REMOTE CONTROL

1. Warning Symbols



Read the instructions



Caution



Lamp

2. General Safety Instructions

WARNING: When using electrical appliance, basic safety precautions should always be followed to reduce the risk of fire, electrical shock and personal injury

• General

- Check if the electrical specifications of the appliance are compatible with your installation.
- Unauthorized use or technical modification to the appliance can lead to danger to life and health.
- This appliance is not intended for use by persons under the age of 16 years of age.
- This appliance is for indoor use only except moist or wet room
- Means for disconnection must be incorporated in the fixed wiring in accordance with wiring rules into force
- Before pushing the reversible slide switch, it is necessary to stop the action of the blades by turning off the fan
- The supplier disclaims all liability for personal injury or property damage arising from incorrect use or installation of the fan. In doubt, call upon an electrician
- Children should be supervised to ensure that they do not play with the appliance

• Electrical Safety

- The lighting product should be installed by an authorized electrician in accordance to national wiring rules
- An all-pole disconnecter with isolating distance of 3mm must be incorporated in the fixed wiring in accordance with the national wiring rules.
- This lighting product is in accordance with safety standards into force. Repairs should be exclusively performed by qualified technicians using original spare parts. Any breach of this instruction may be particularly dangerous for the users

3. Environmental Protection





Caution

Electrical products must not be thrown out with domestic waste. They must be taken to a communal collecting point for environmentally friendly disposal in accordance with local regulations. Contact your local authorities or stockist for advice on recycling. The packaging material is recyclable. Dispose of the packaging in an environmentally friendly manner and make

it available for the recyclable material collection-service.

4. Appliance specifications

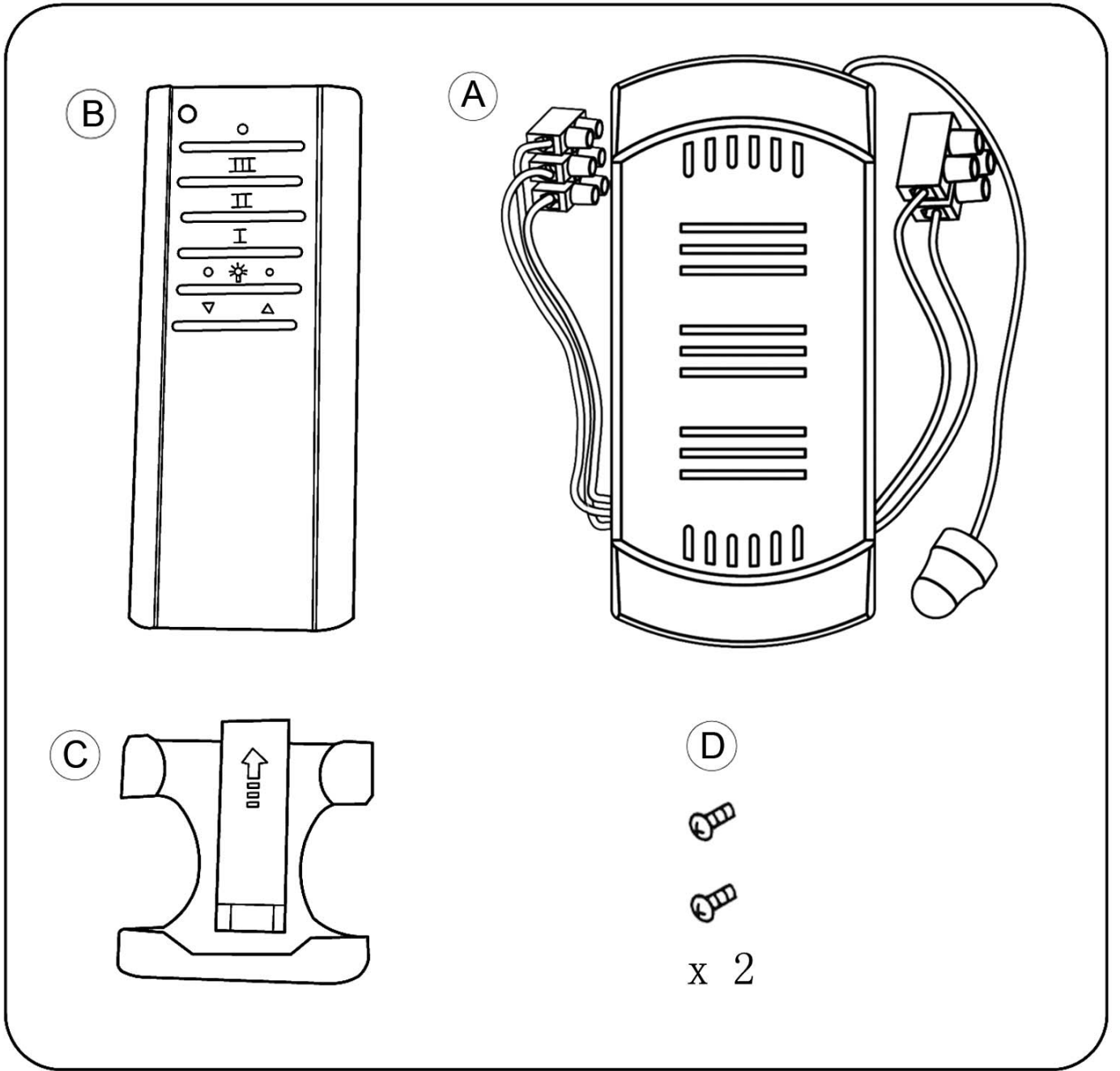
Rated voltage and frequency	220V-240V 50Hz
Fan	
Bulb	

5. Maintenance / Cleaning

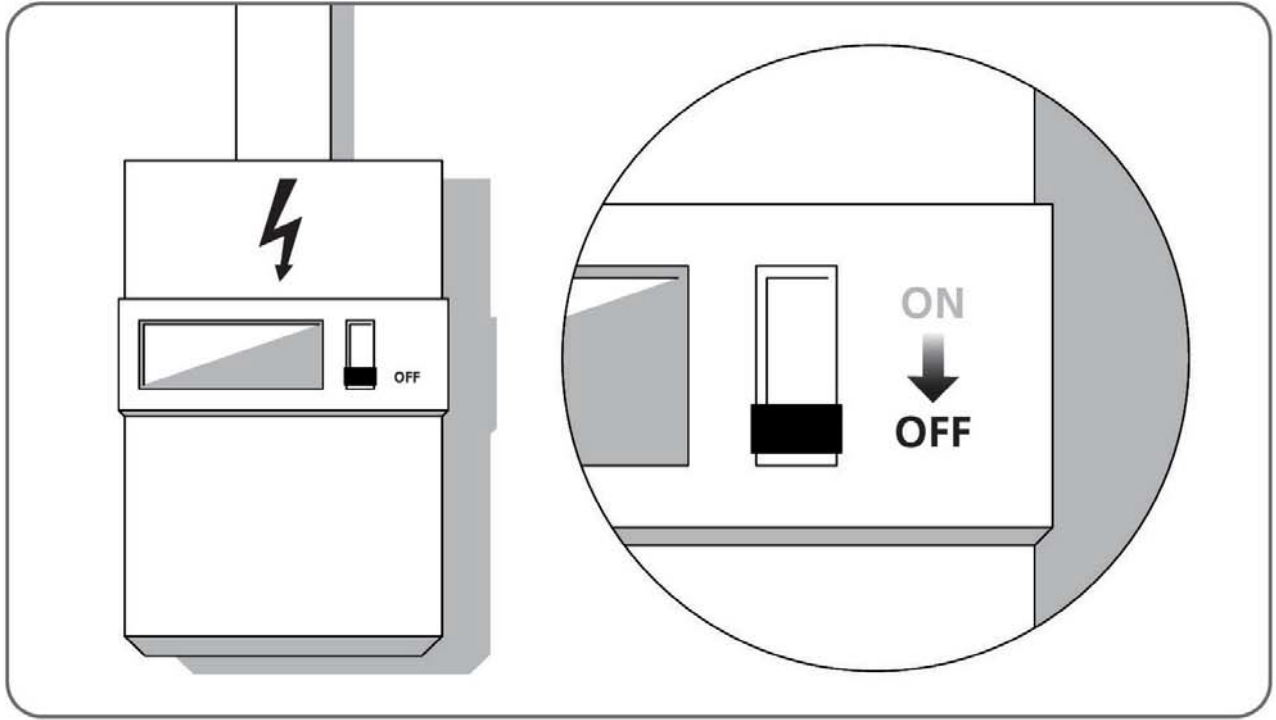
- Always disconnect the appliance before cleaning or doing maintenance
- Never use a wet sponge to clean the appliance
- In order to not damage the product, it is advisable to use adapted equipment to the fragile surfaces and products slowing the wear on the appliance

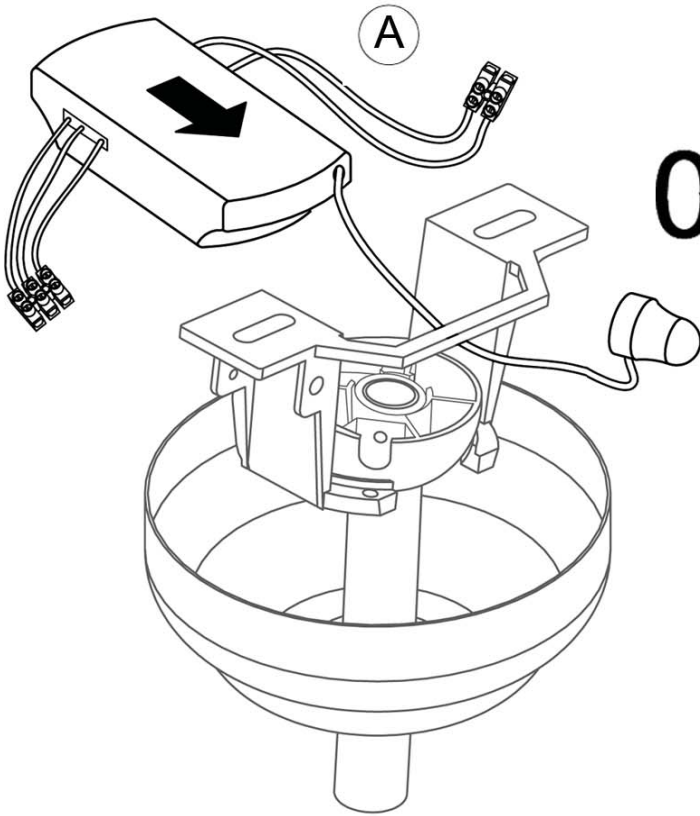
6. Others

- Have your product repaired by a qualified person.
- This electric product is in accordance with the relevant safety requirements. Repairs should only be carried out by qualified persons using original spare parts; otherwise this may result in considerable danger to the user.
- Please contact the store which you bought the product for after sale services if question.

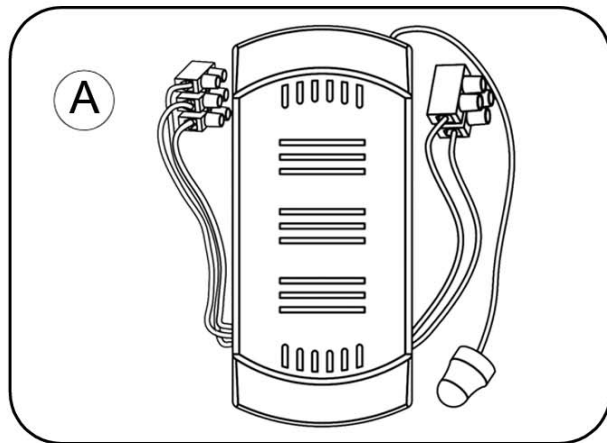
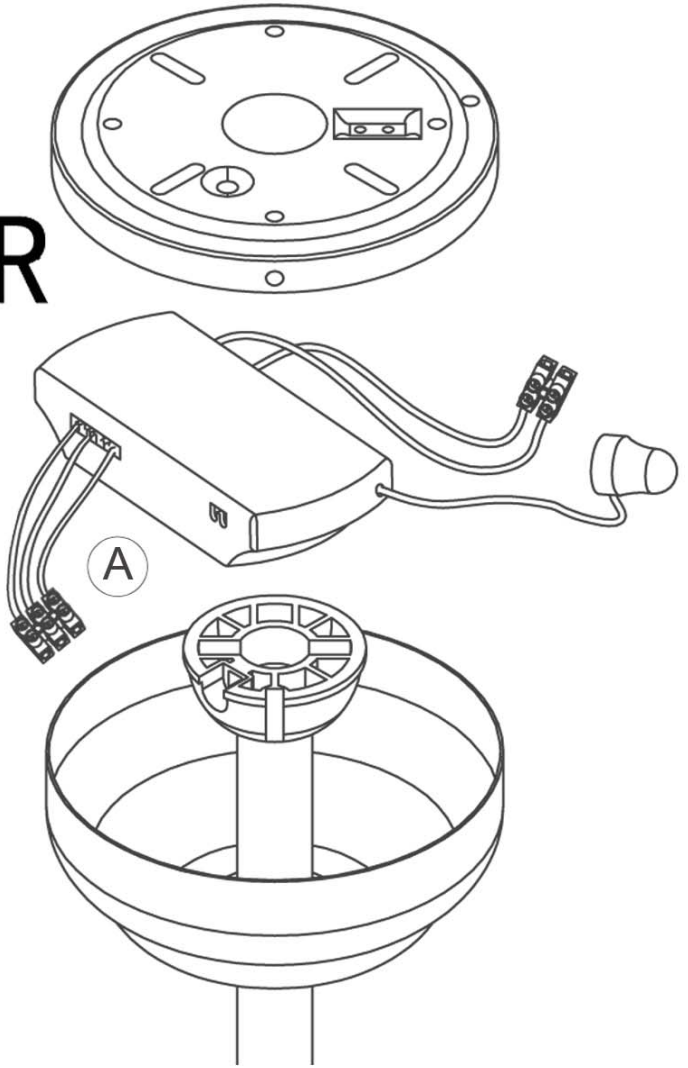


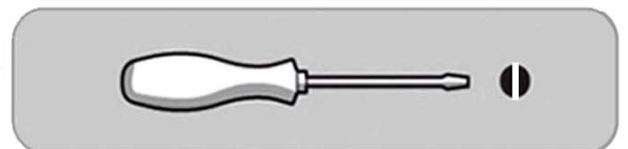
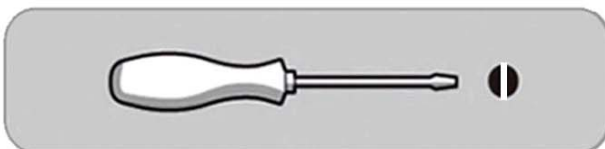
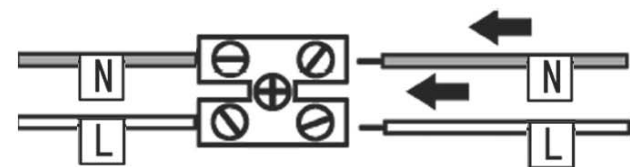
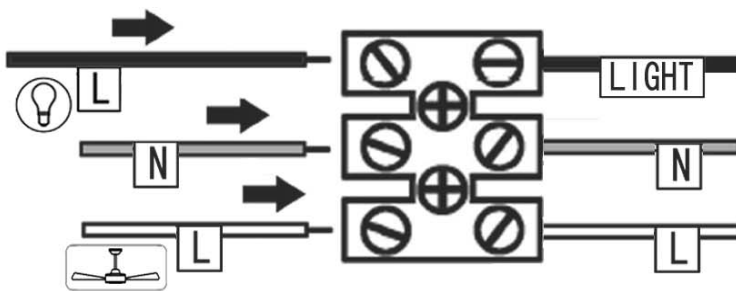
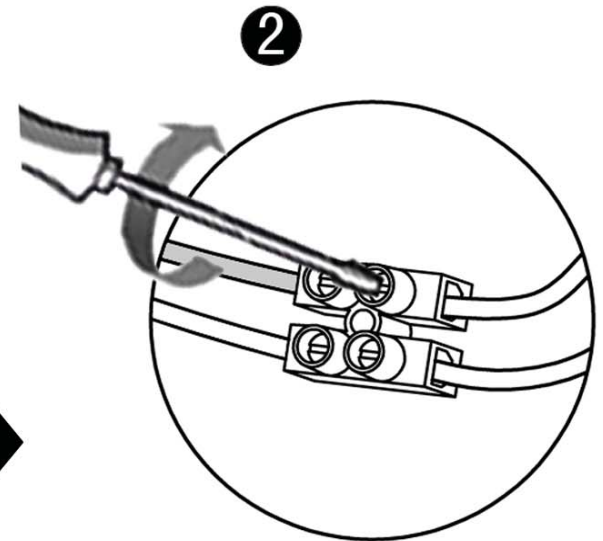
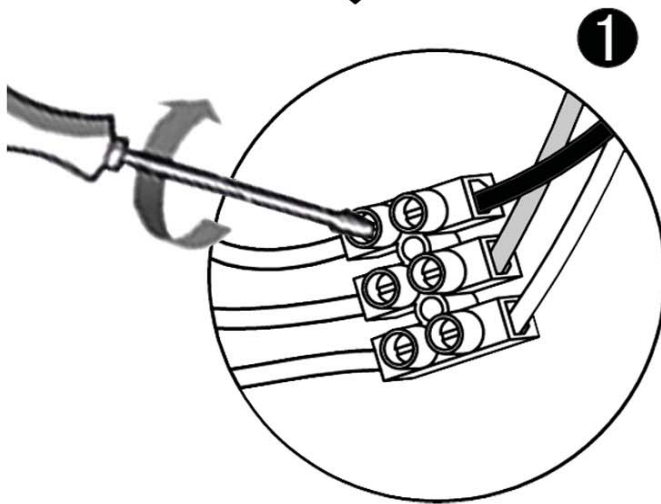
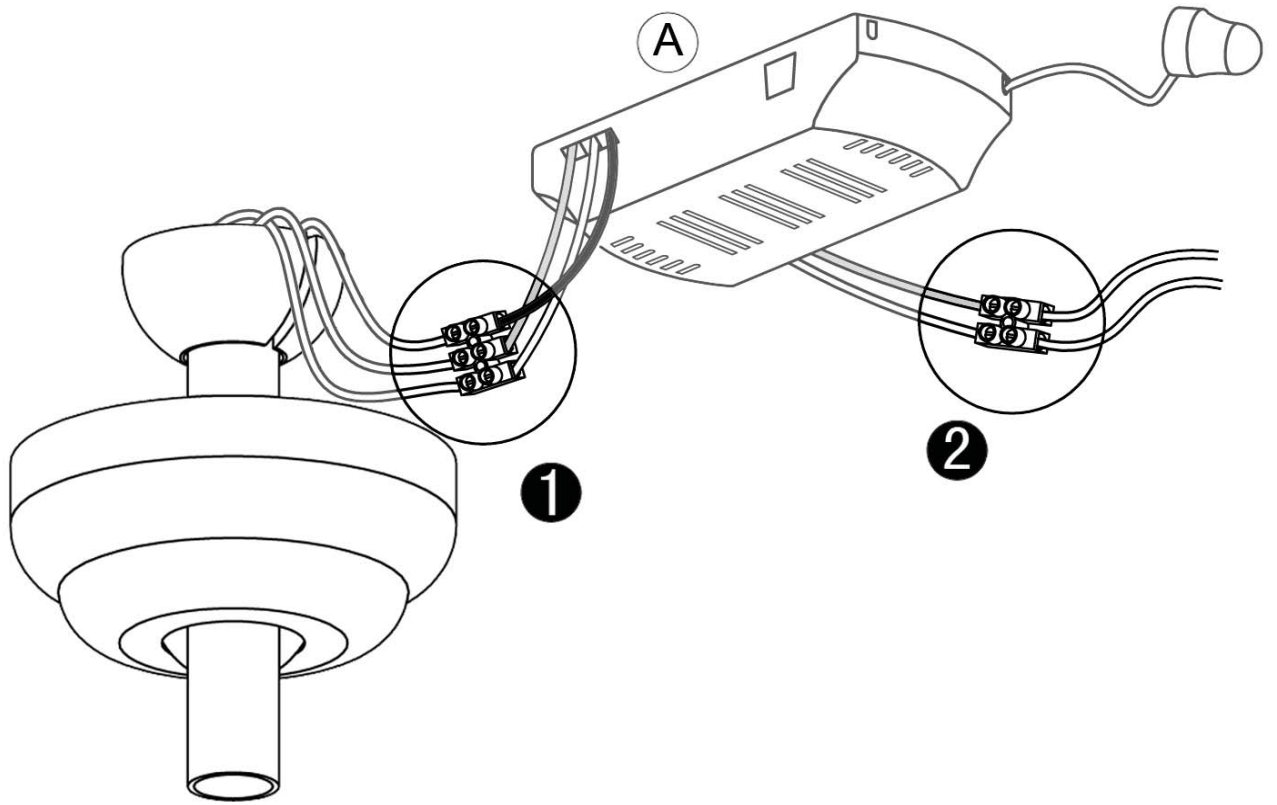
This section contains icons for installation requirements and safety. On the left, an icon shows a device being inserted into a wall outlet. In the center, two screwdriver icons are shown, one with a plus sign (+) and one with a minus sign (-). On the right, a circular icon with a stopwatch and '2h' indicates a 2-hour installation time, and a human figure icon indicates that the installation should be performed by a person.

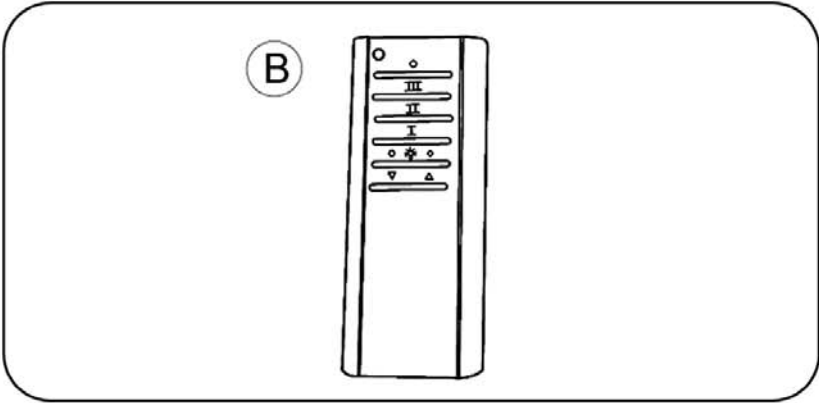
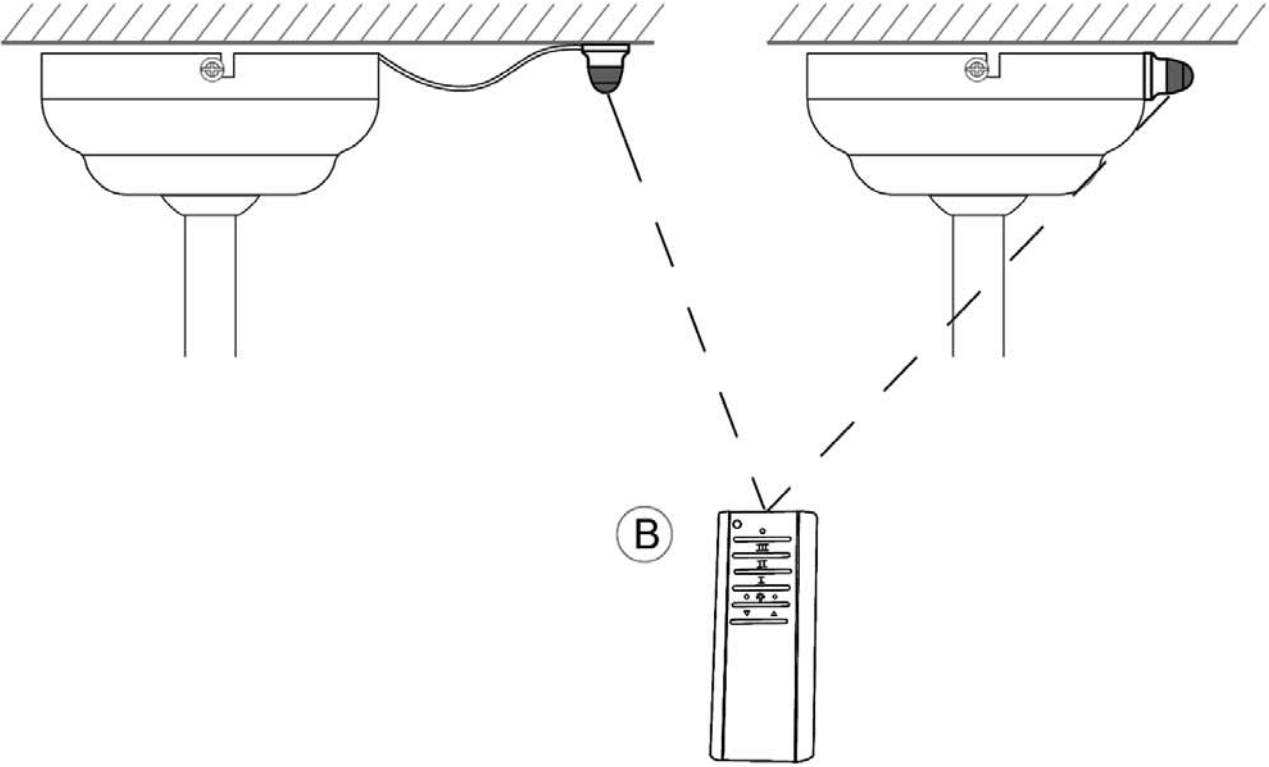




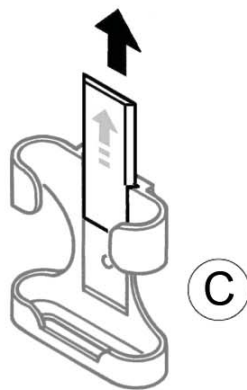
OR



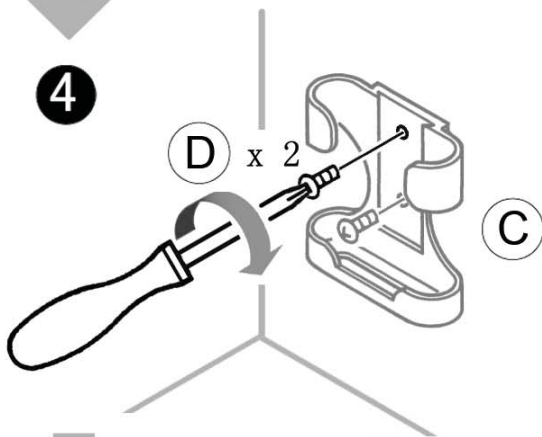




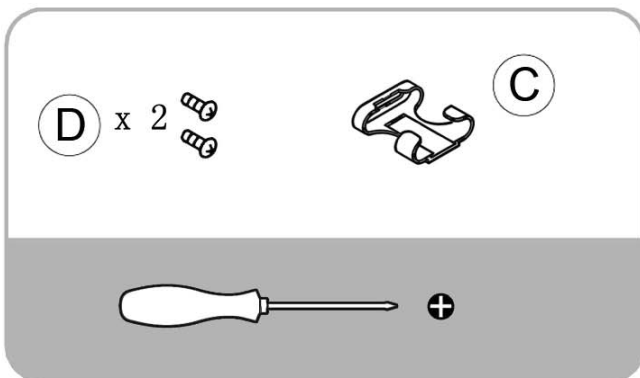
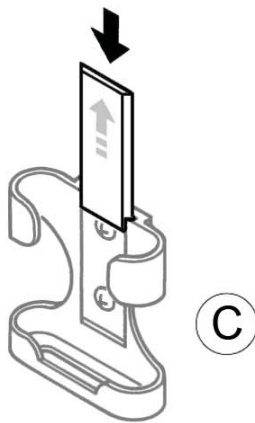
3



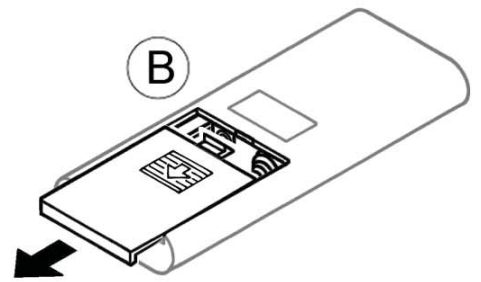
4



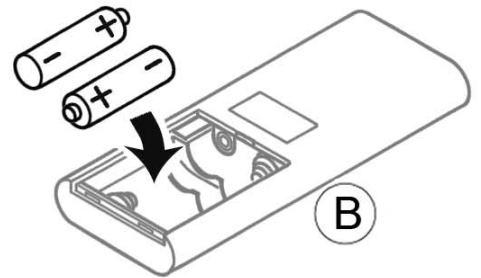
5



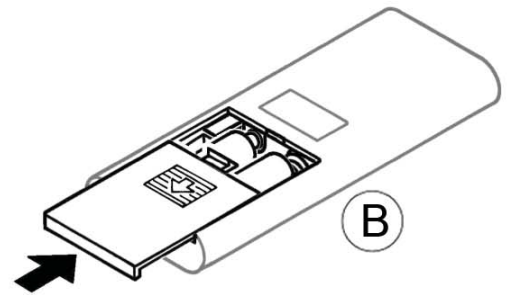
6



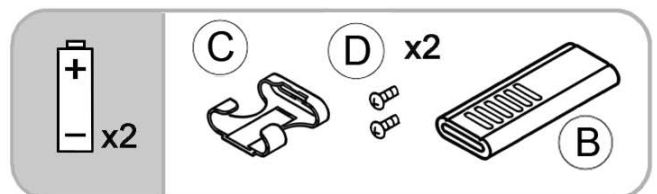
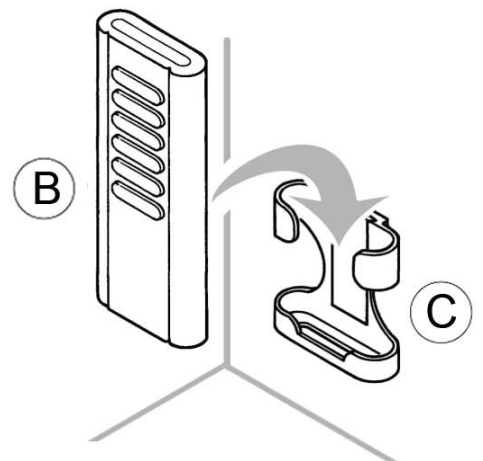
7

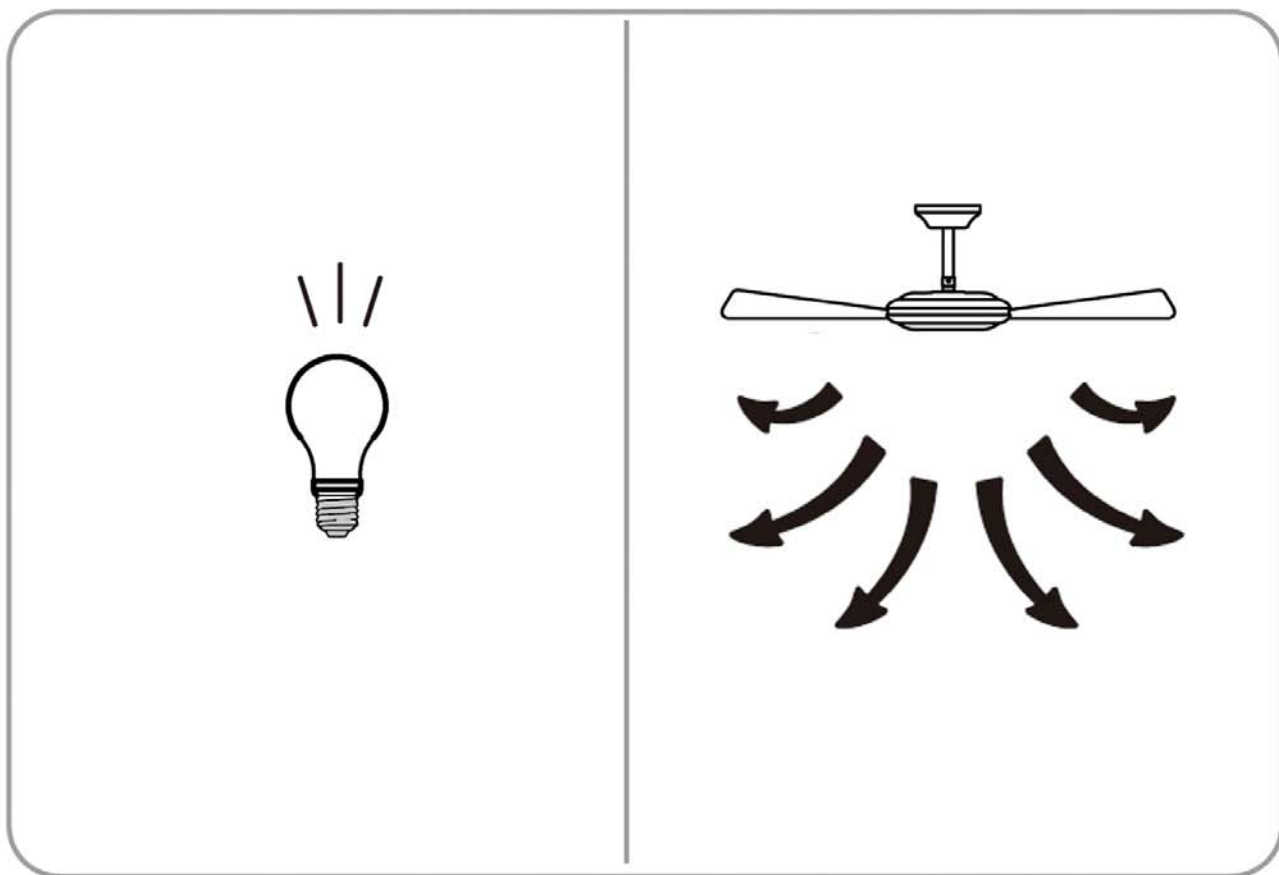
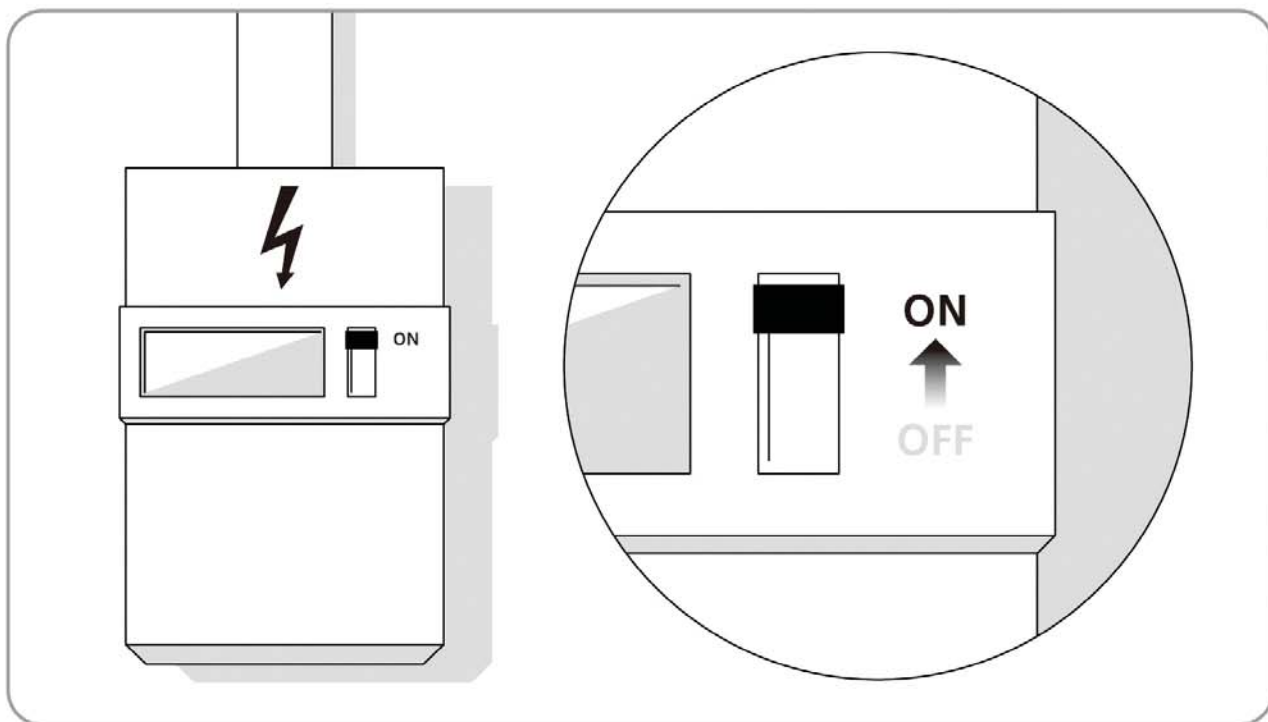


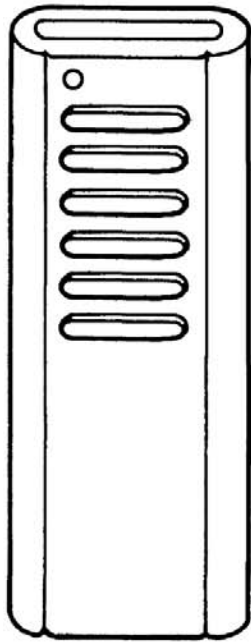
8



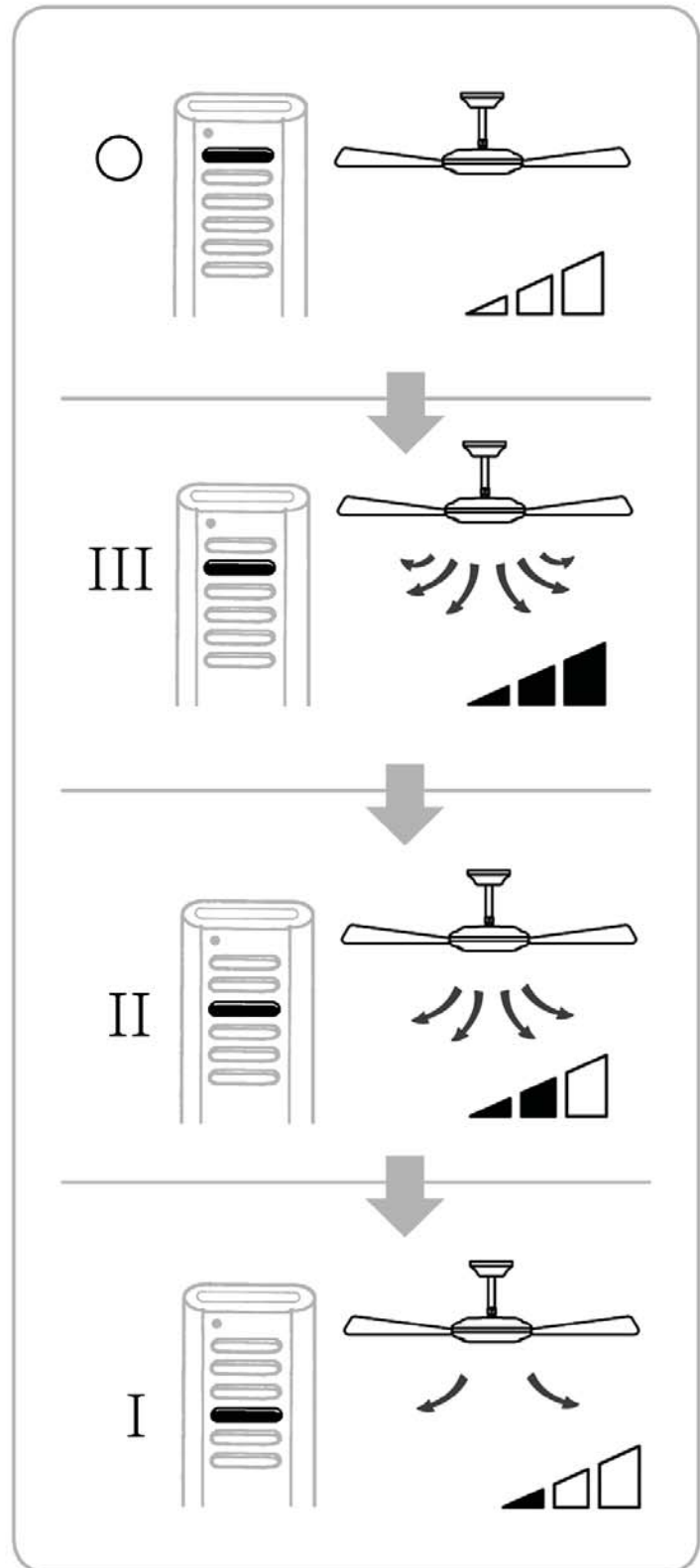
9

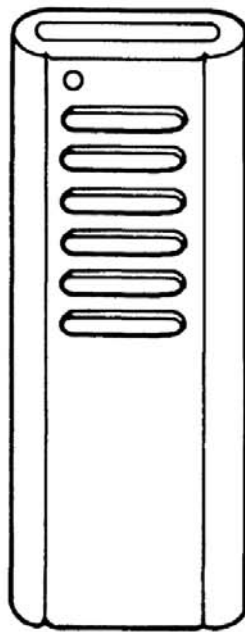






B





B

