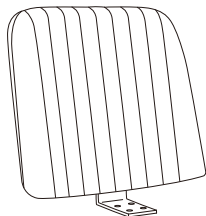




Armless Office Desk Chair

User Manual

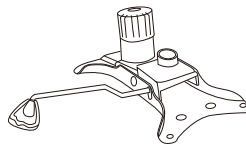
Ax1



Bx1



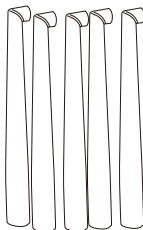
Cx1



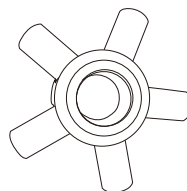
Dx1



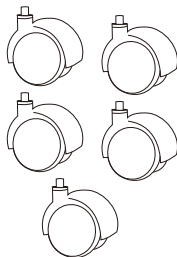
Ex5



Fx1



Gx5



Hx8

M6x25mm

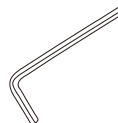


Jx10

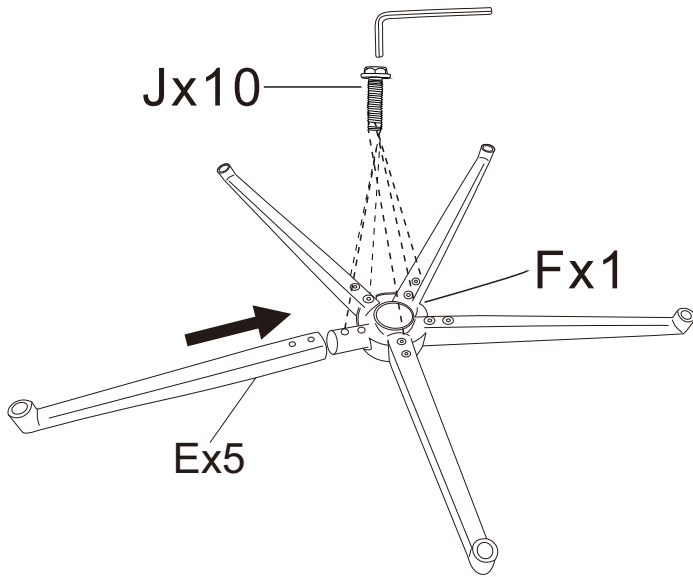
M6x14mm



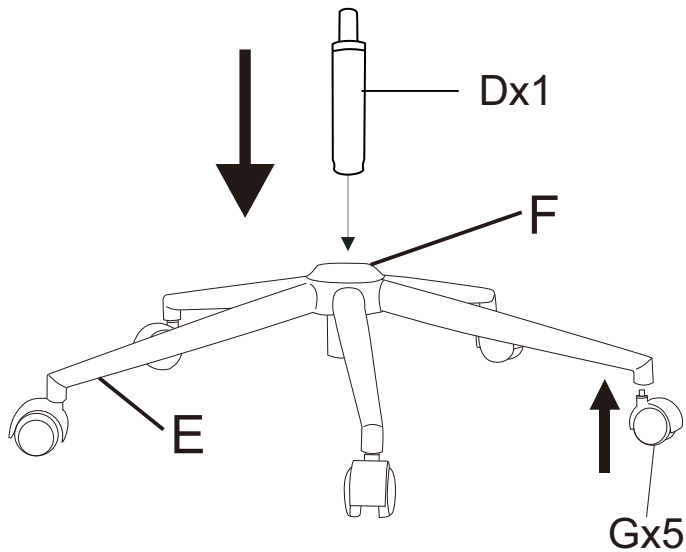
Kx1



step 1

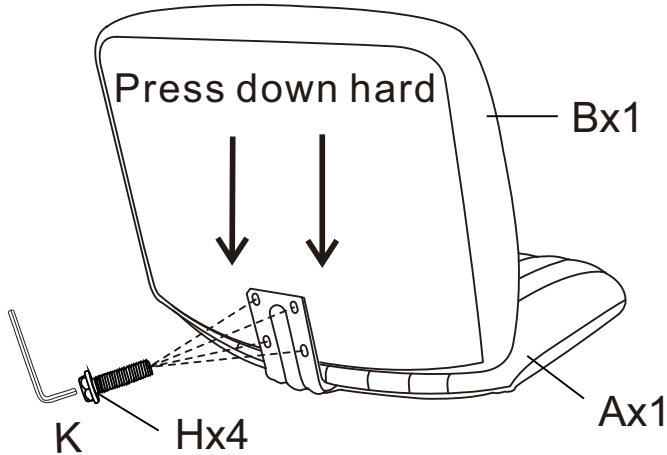


step 2



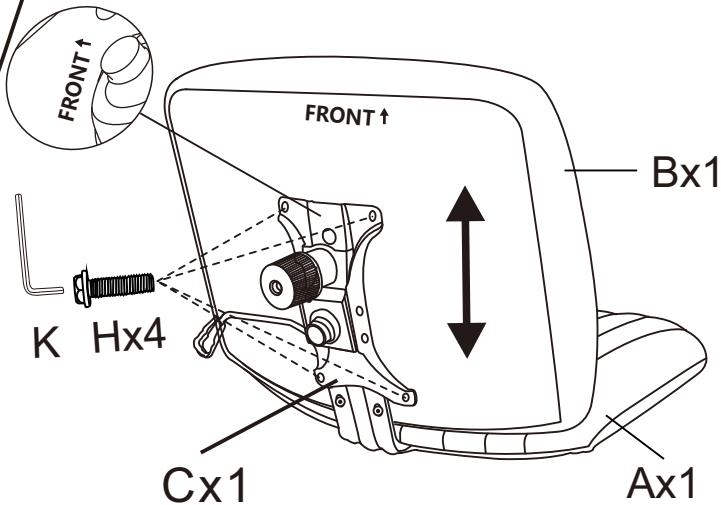
step 3

First lay a clean plastic film on the level floor

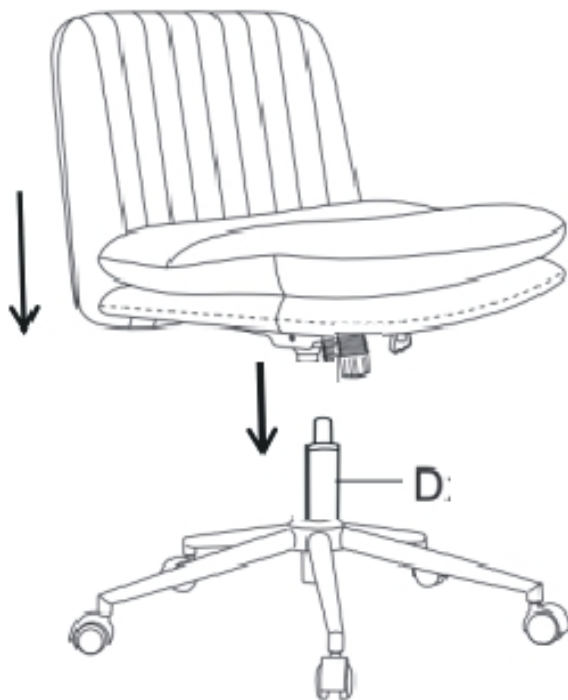


step 4

Pay attention to the installation direction of number C



step 5



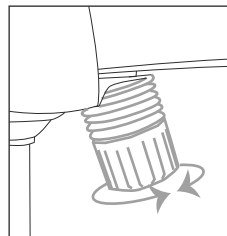
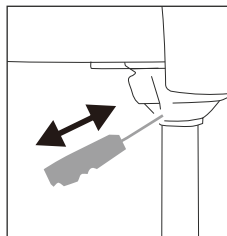
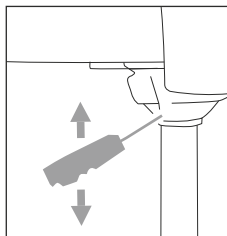
Height Adjustment and Tilt-lock



UP



DOWN



**Push in-Lock
Pull out-Open**

**Adjust
Tilt Tension**