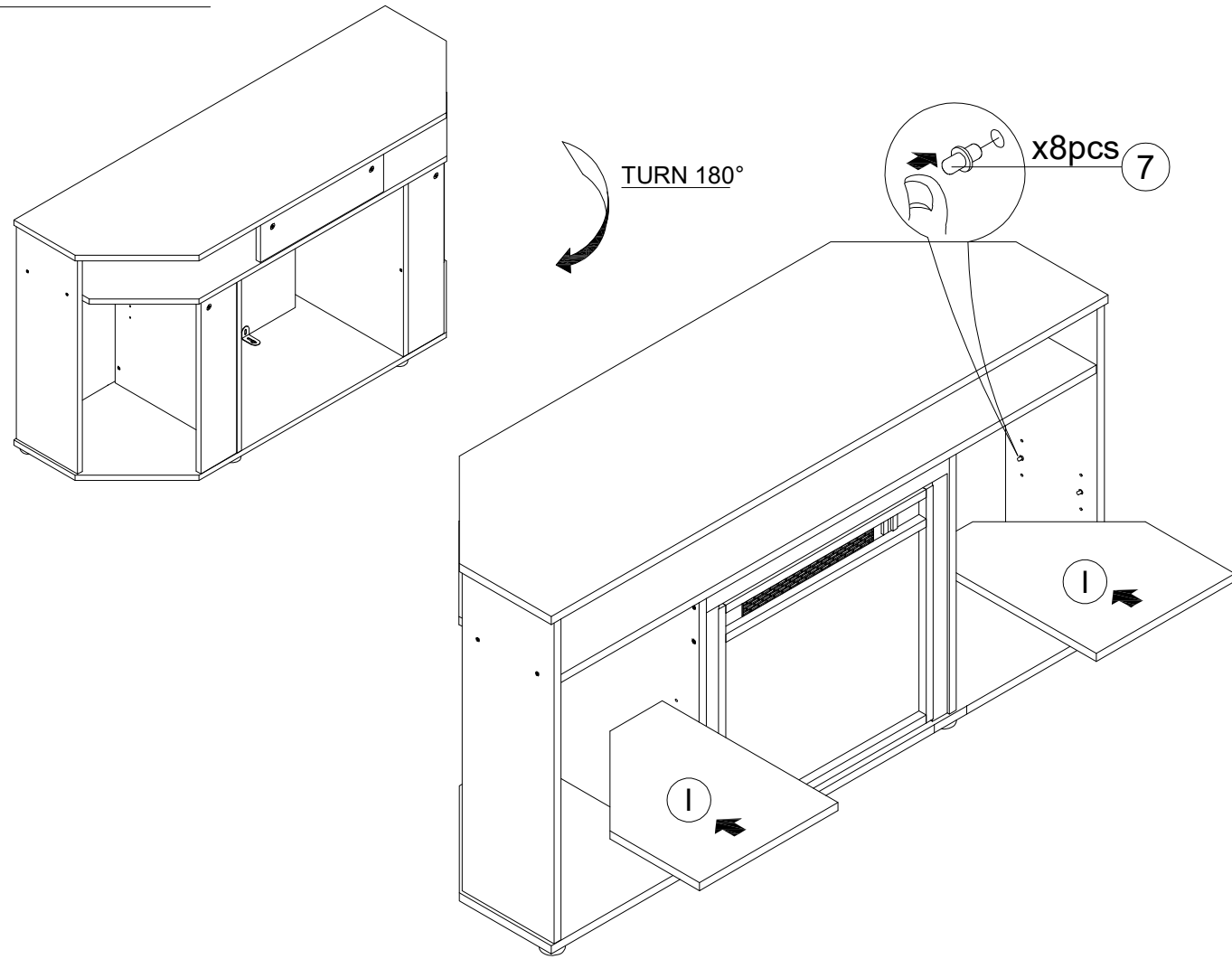
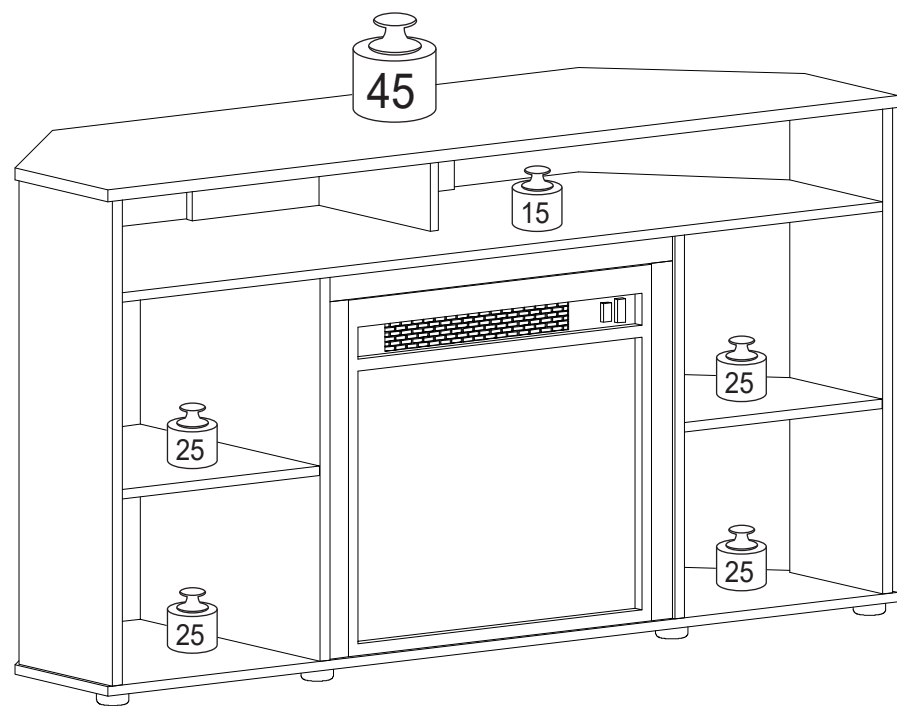


# STEP 14



## Recommended Maximum Weight



\*Unit in Pound(lbs.)

**WARNING:**

>This unit has been designed to support the maximum loads shown. Exceeding these load limits could cause sagging, instability, product collapse, and/or serious injury.

>DO NOT allow children to climb on unit.

> Put heavier items on lower shelves.

00:60

Approx. 60 minutes



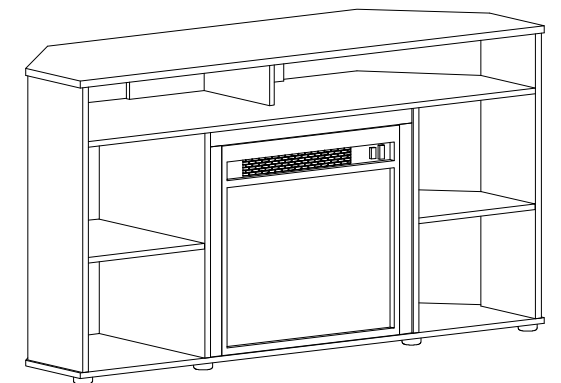
Recomm. 2 Person





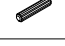






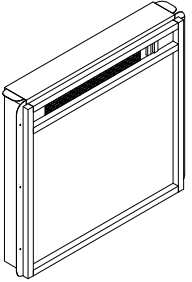
Tools Required

## Assembly Instruction

Corner TV Stand with Fireplace



# HARDWARE & PARTS LIST

NO	HARDWARE LIST	QTY
1	MINIFIX  1a  1b	14pcs
2	WOOD DOWEL 	18pcs
3	POZIHEAD SCREW 	20pcs
4	C/B SCREW 32mm 	6pcs
5	PWA SCREW 	7pcs
6	METAL L BRACKET 	1pc
7	SHELF SUPPORT 	8pcs
8	PLUG LEG 	6pcs
9	FIREPLACE 	1pc

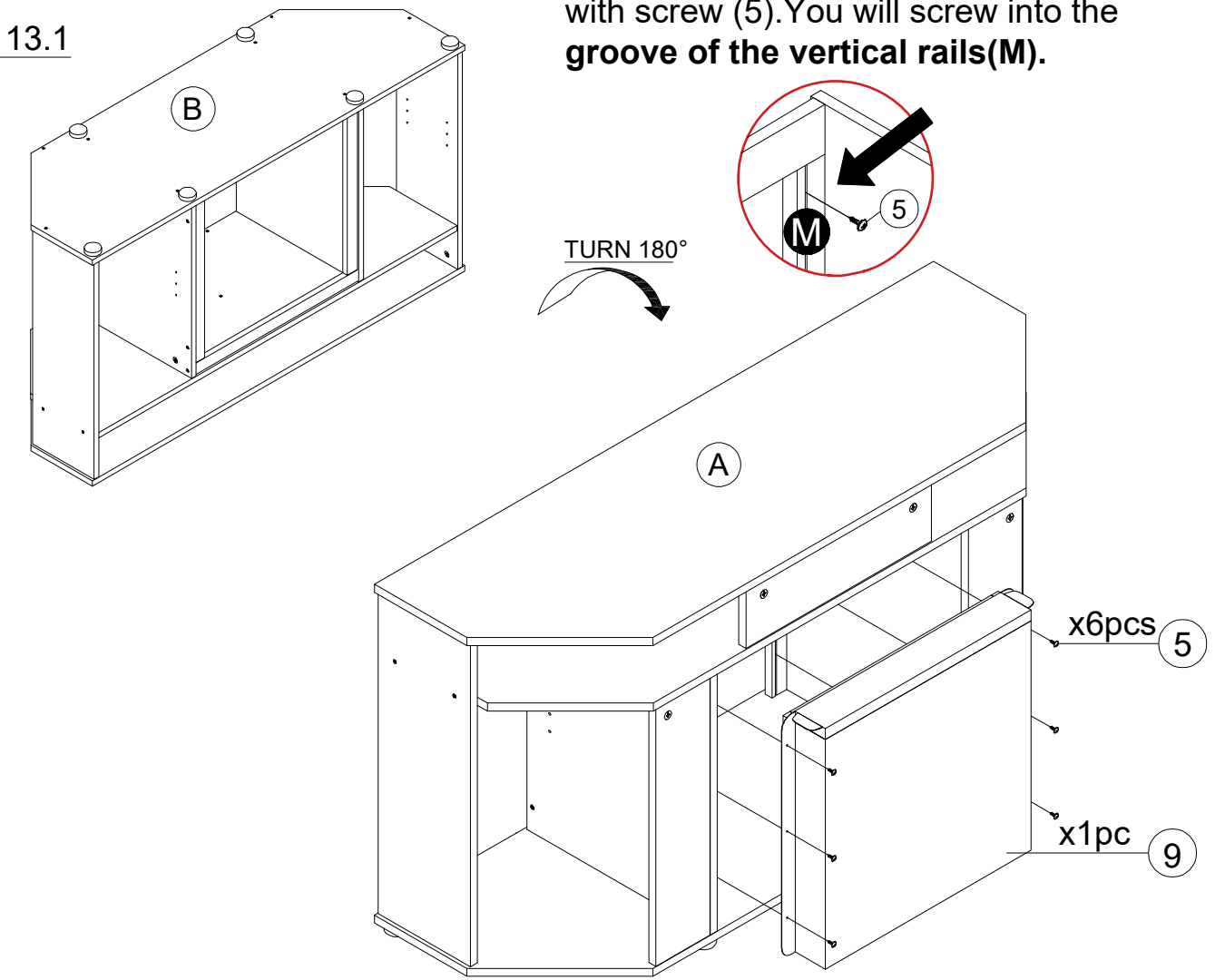
NO	PART LIST	QTY
A	TOP PANEL	1pc
B	BOTTOM PANEL	1pc
C	CENTER PANEL	1pc
D	UPPER PARTITION PANEL	1pc
E	UPPER BACK PANEL	1pc
F	L/R SIDE PANEL	2pcs
G	LEFT PARTITION PANEL	1pc
H	RIGHT PARTITION PANEL	1pc
I	L/R SHELF PANEL	2pcs
J	LEFT BACK PANEL	1pc
K	RIGHT BACK PANEL	1pc
L	SUPPORT PANEL	1pc
M	RAIL PANEL	2pcs

## USEFUL HINTS BEFORE YOU START:

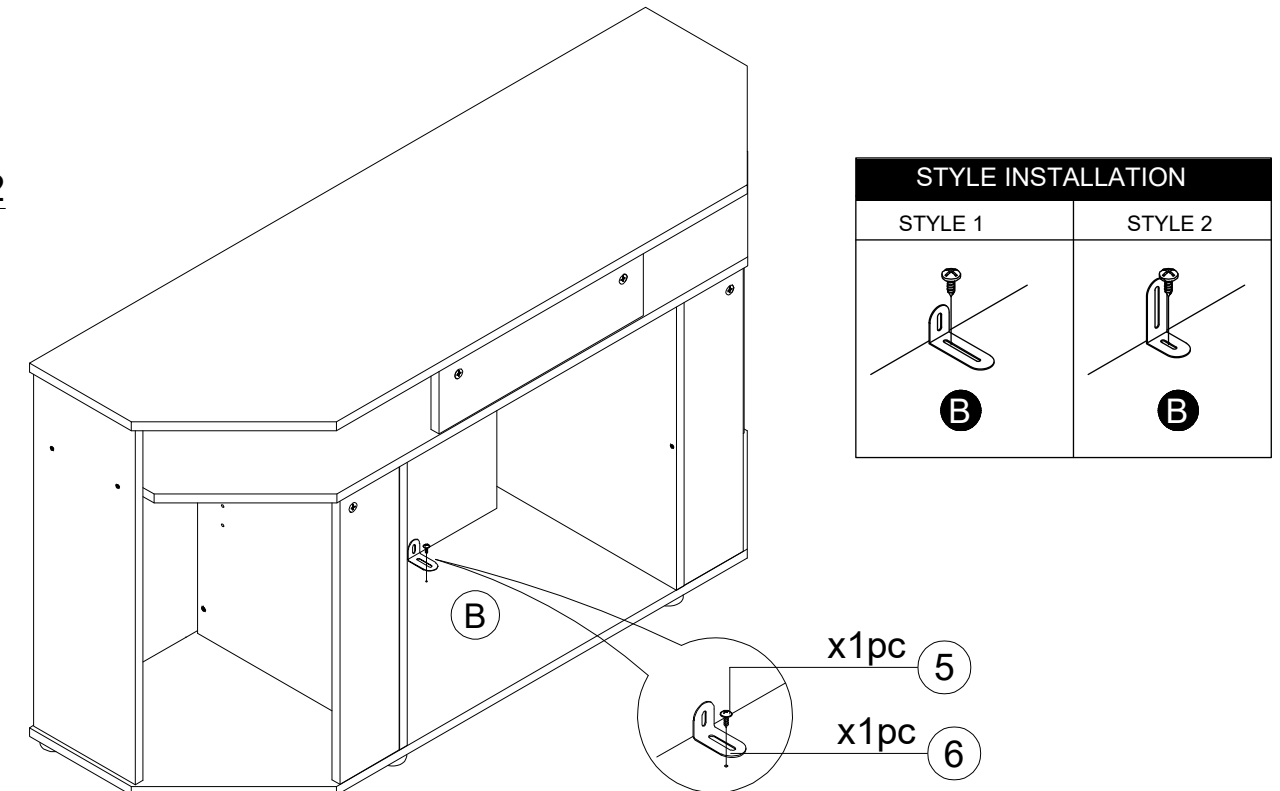
1. Read each step carefully before starting.
2. It is important that each step is performed in correct order to avoid difficulties.
3. Identify, sort and count the parts before assembly.
4. Assemble your furniture on packaging cardboard to prevent scratch or damage.
5. Clean the product with mild cleanser using soft dampened cloth. Do not use harsh or abrasive cleanser.
6. Using incompatible hardware might cause damage to product.

# STEP 13

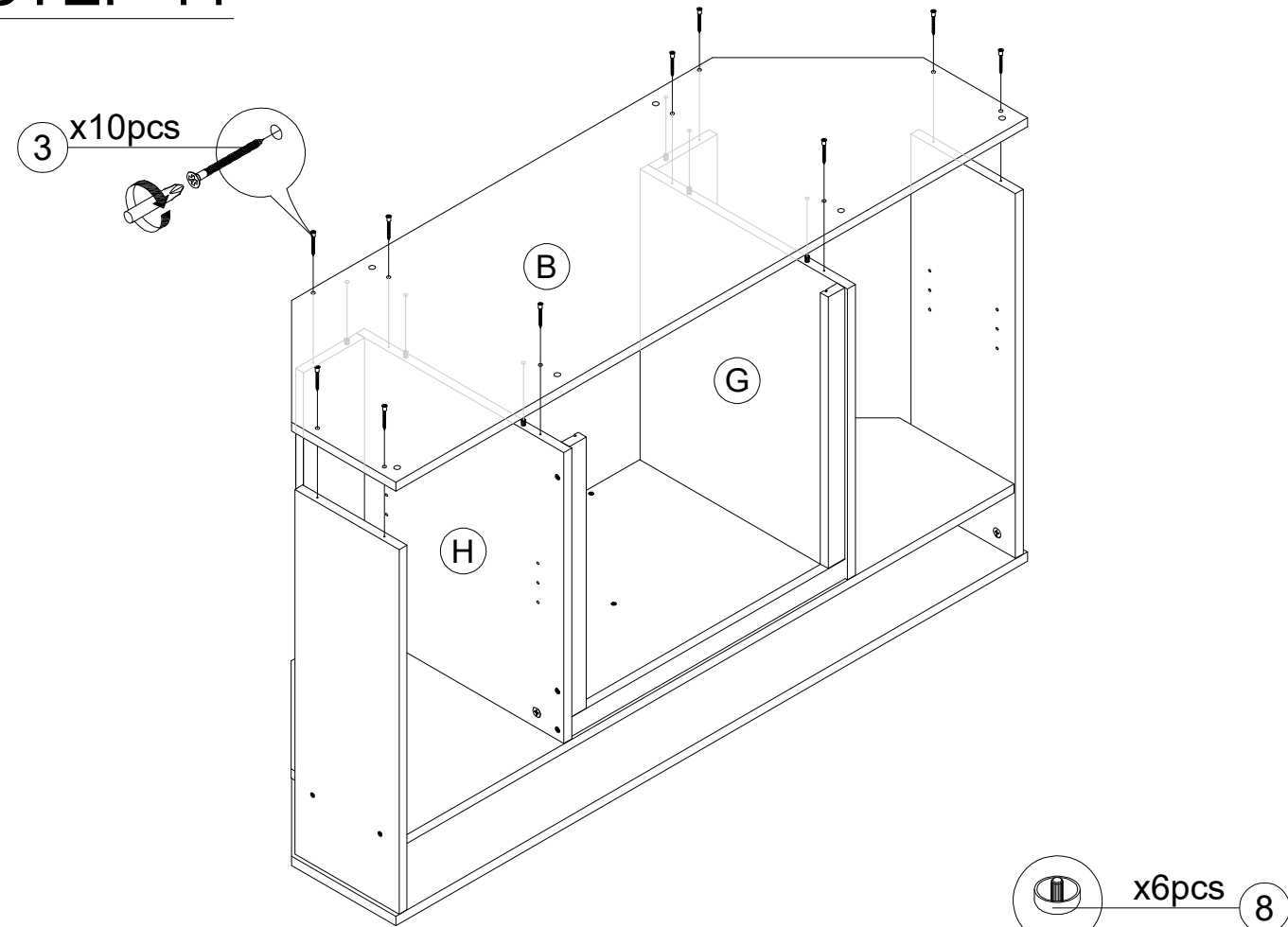
## Step 13.1



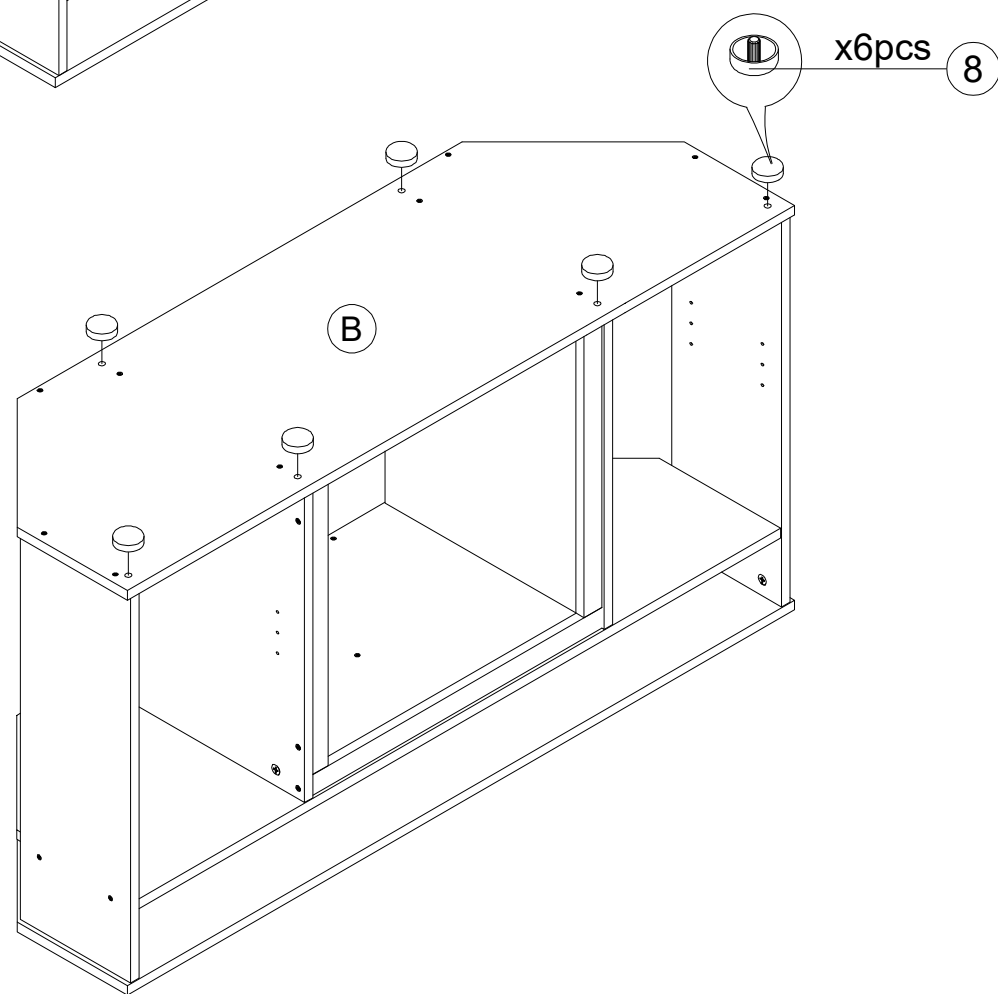
## Step 13.2



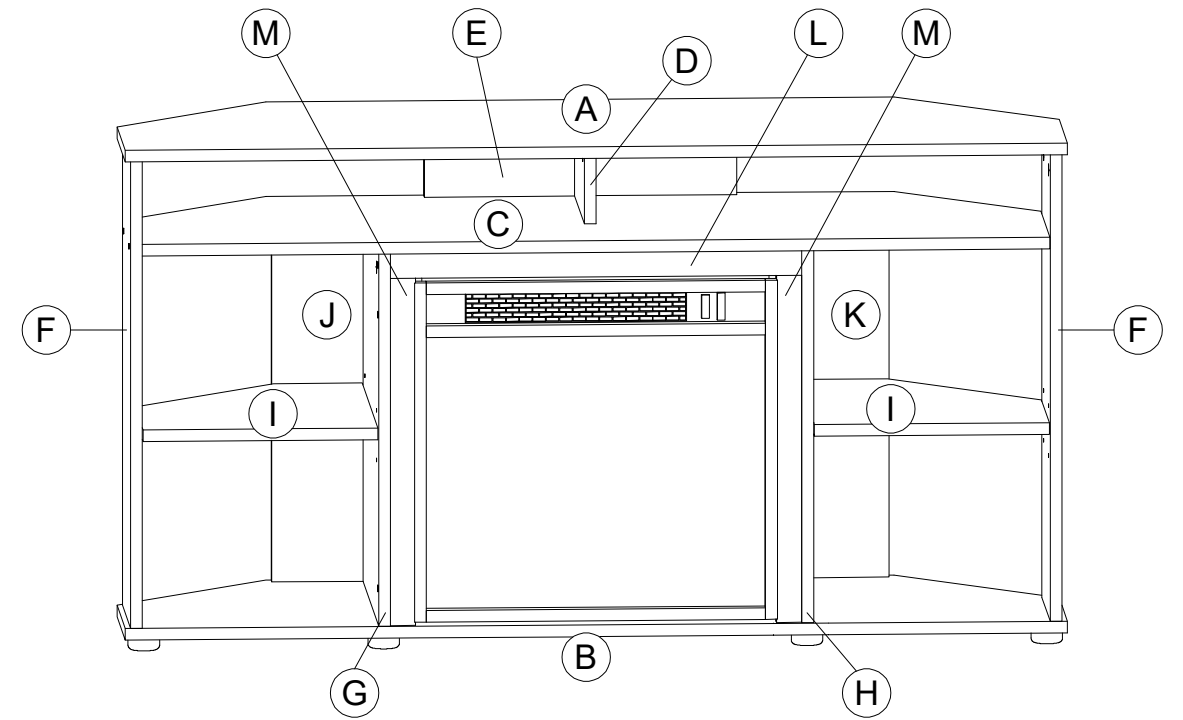
# STEP 11



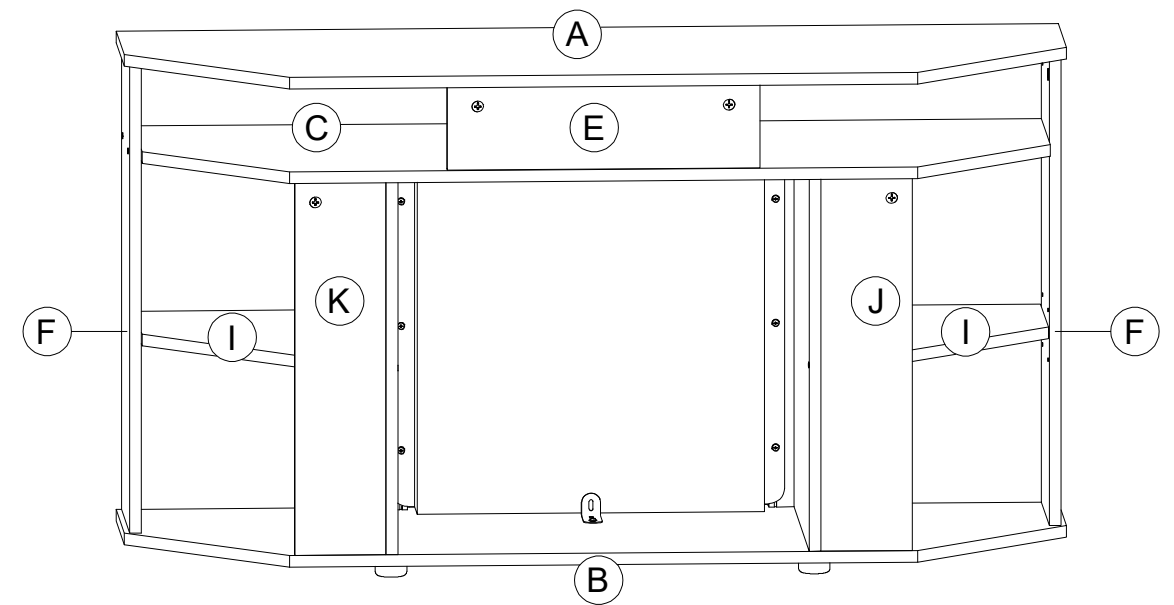
# STEP 12



# FRONT VIEW



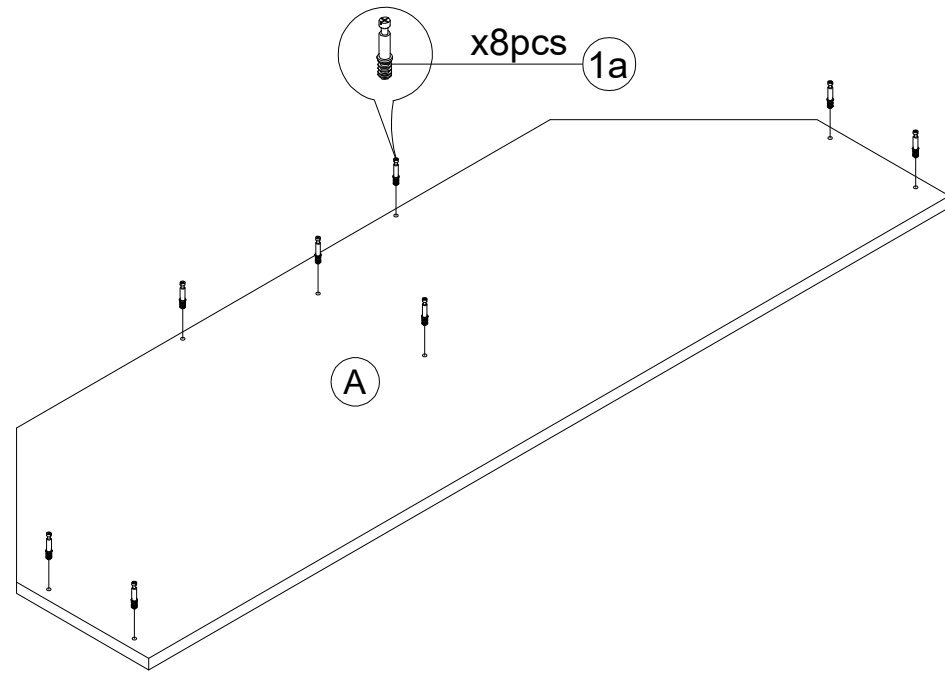
# BACK VIEW



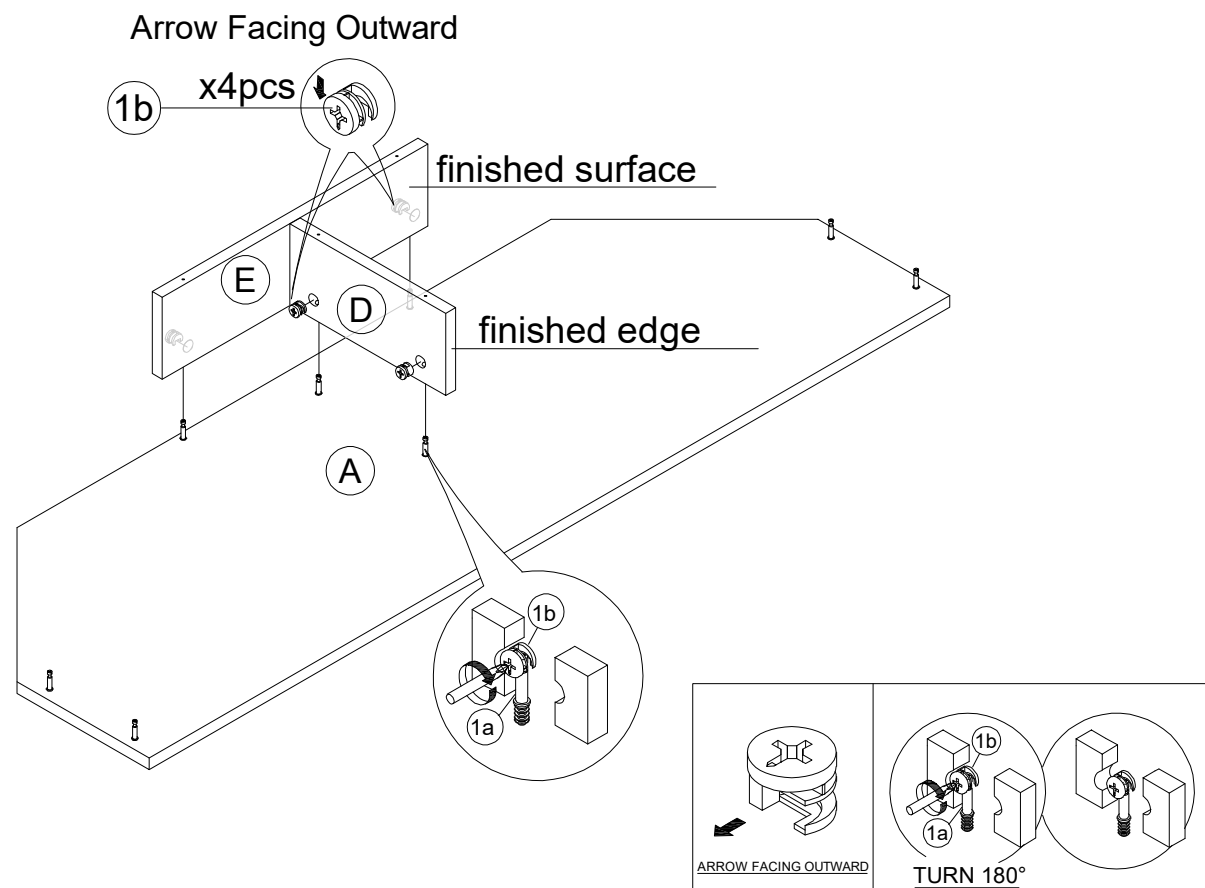
# ASSEMBLY INSTRUCTIONS

BEFORE YOU BEGIN, PLEASE READ ASSEMBLY INSTRUCTIONS CAREFULLY,  
FOLLOW THEM STEP BY STEP.

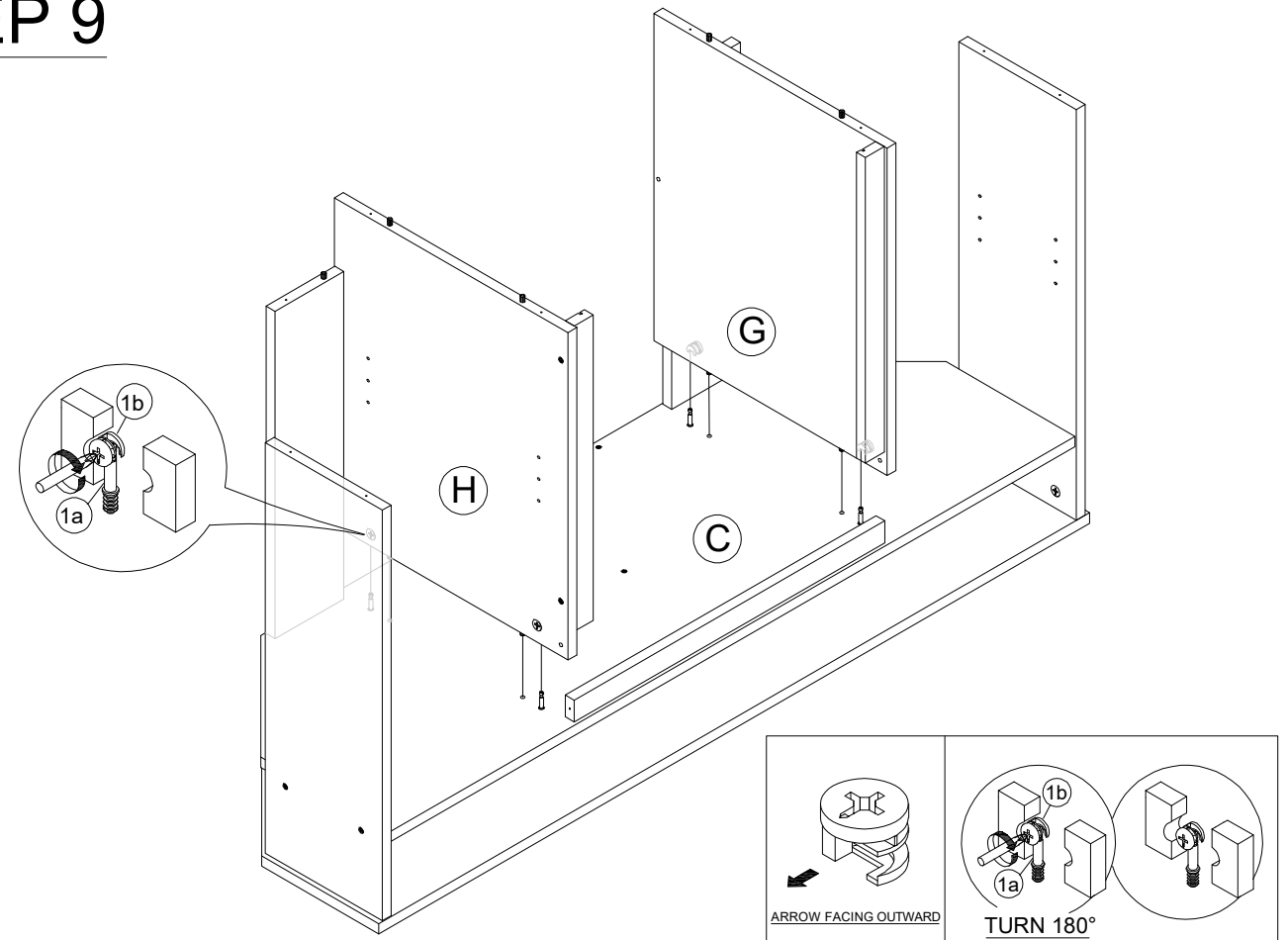
## STEP 1



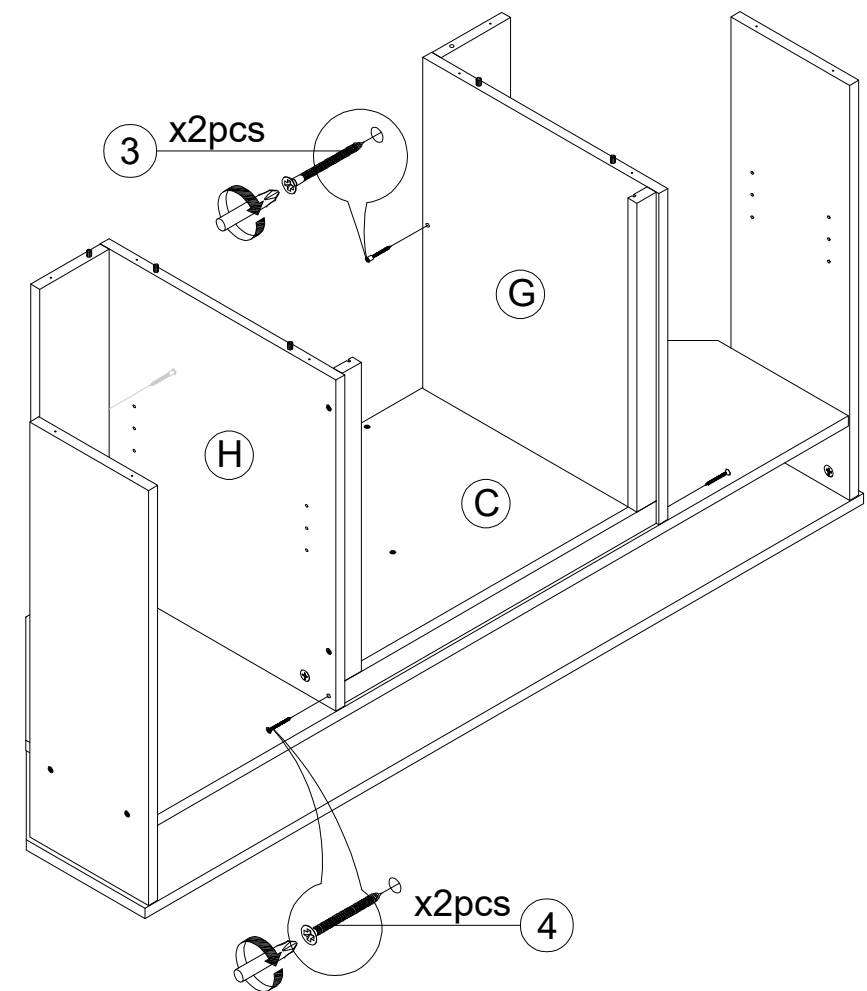
## STEP 2



## STEP 9

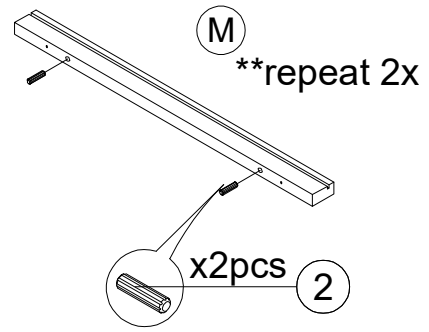


## STEP 10

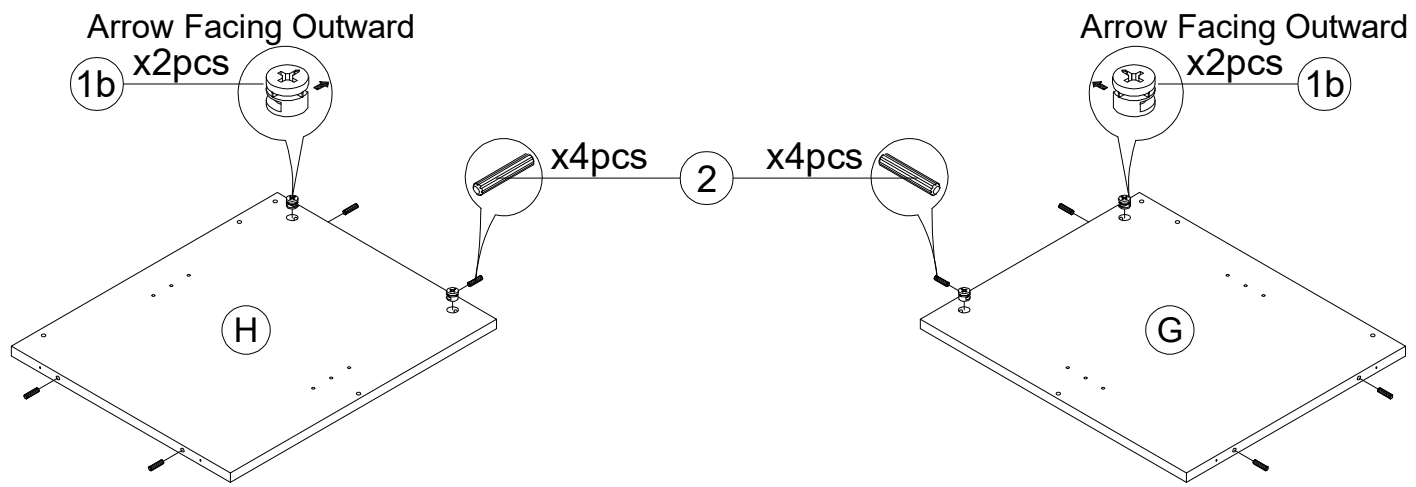


# STEP 8

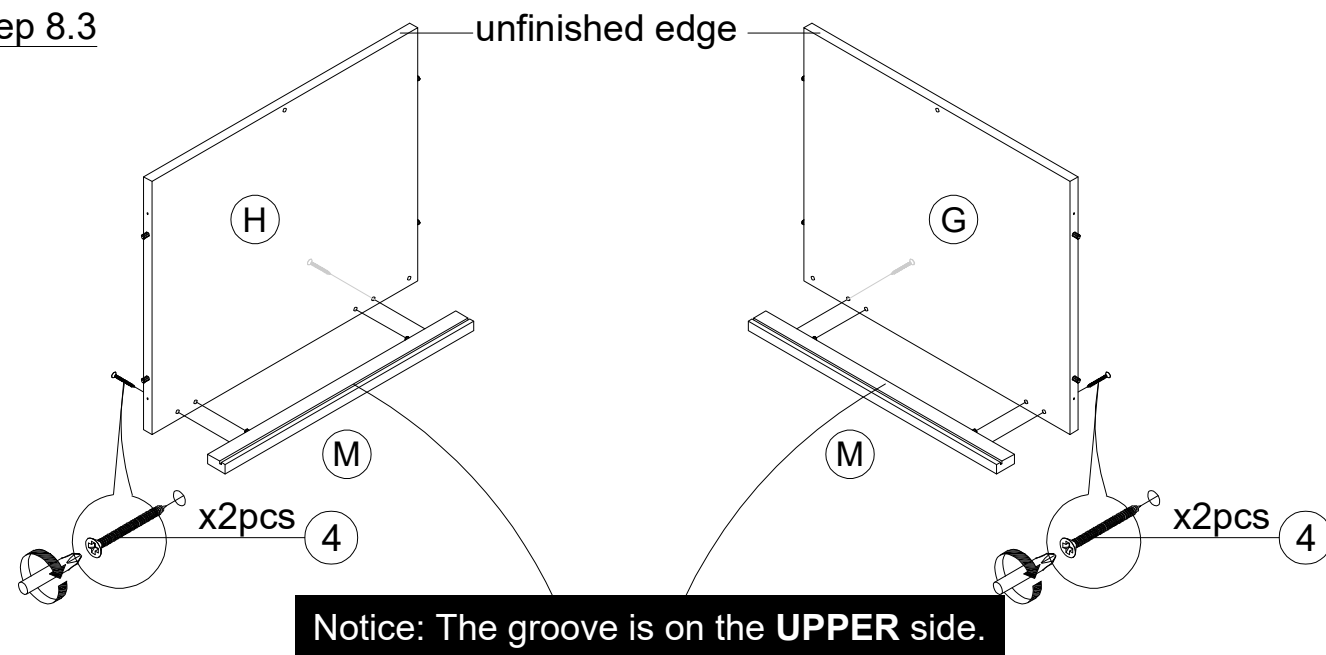
Step 8.1



Step 8.2

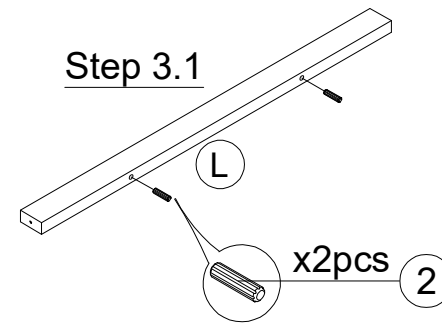


Step 8.3

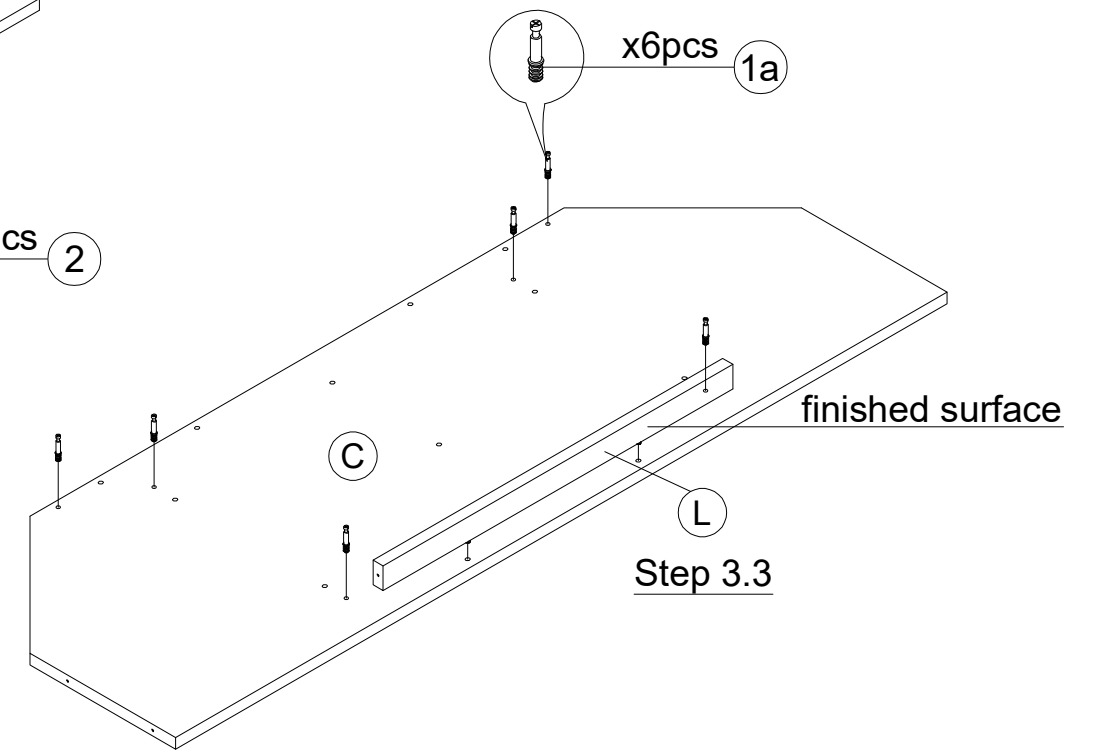


# STEP 3

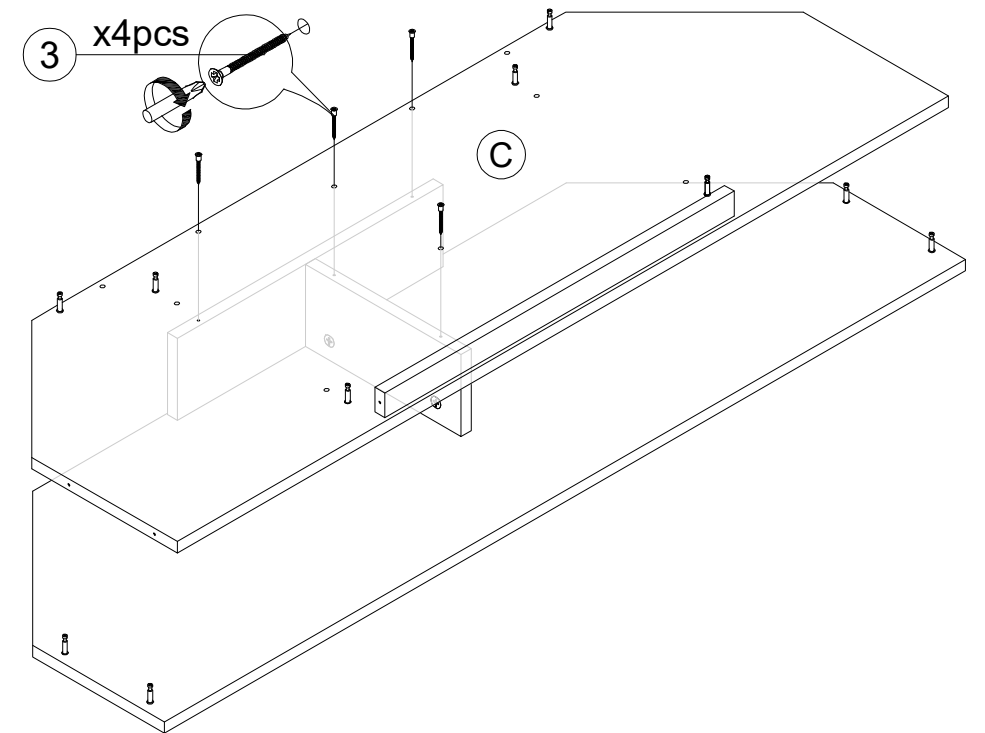
Step 3.1



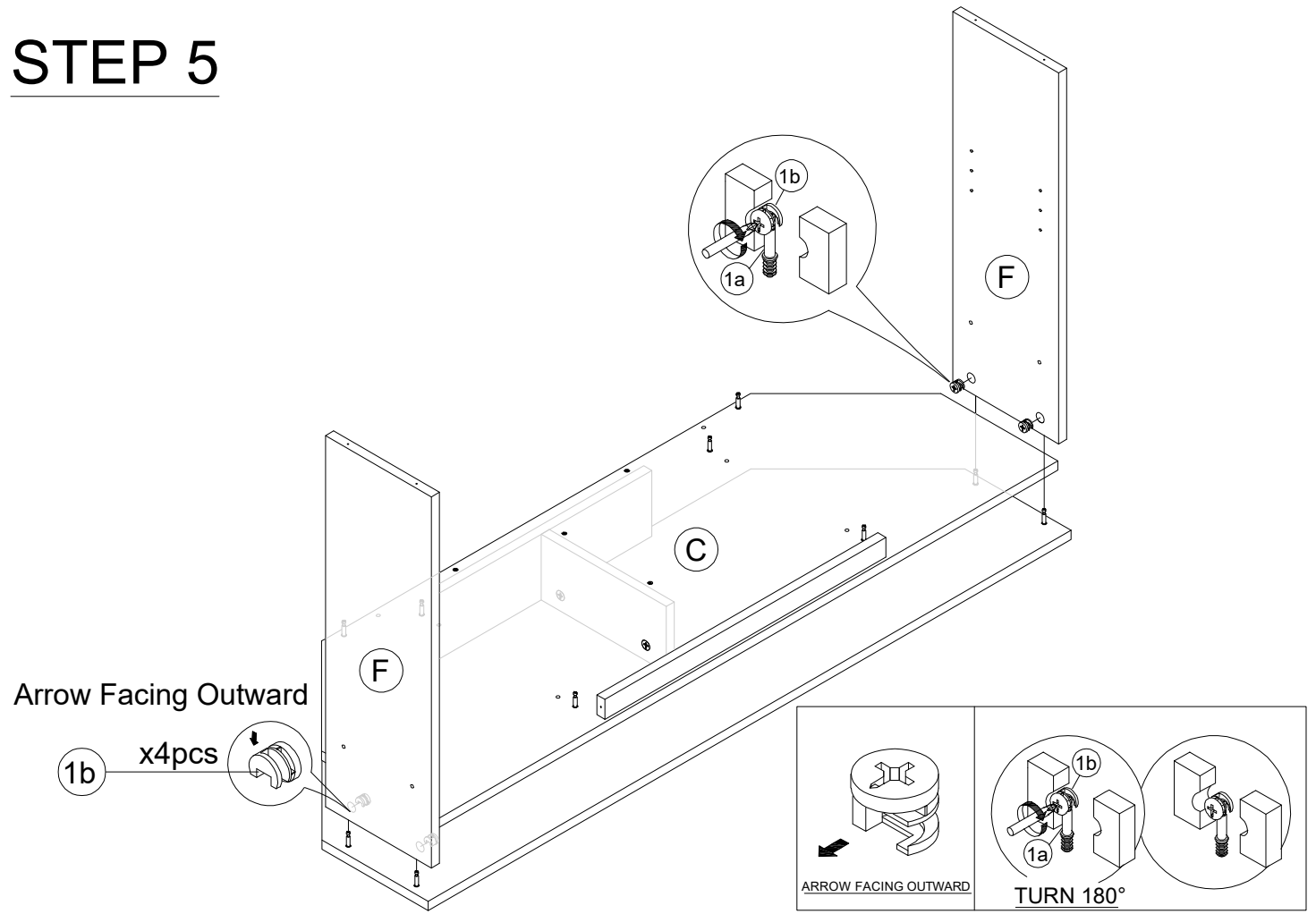
Step 3.2



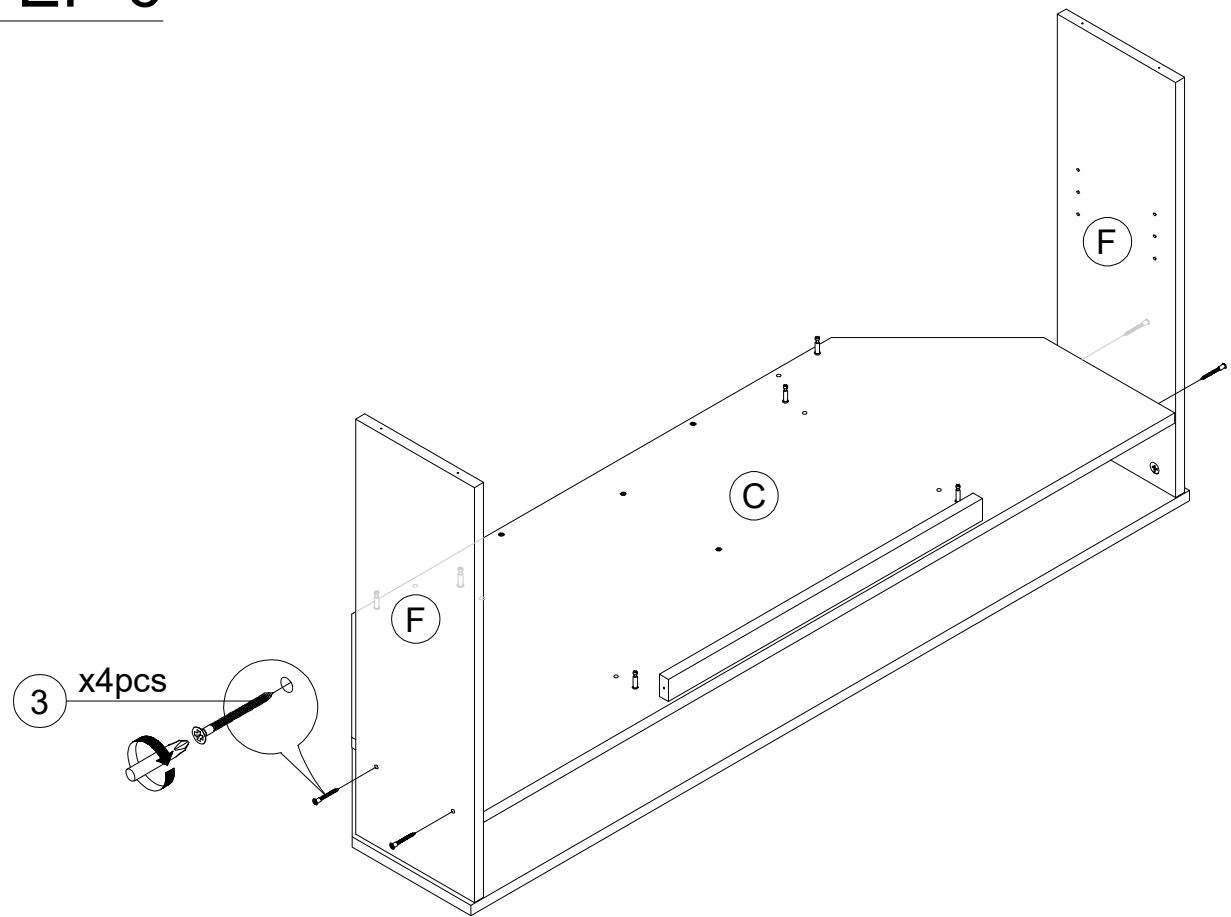
# STEP 4



# STEP 5

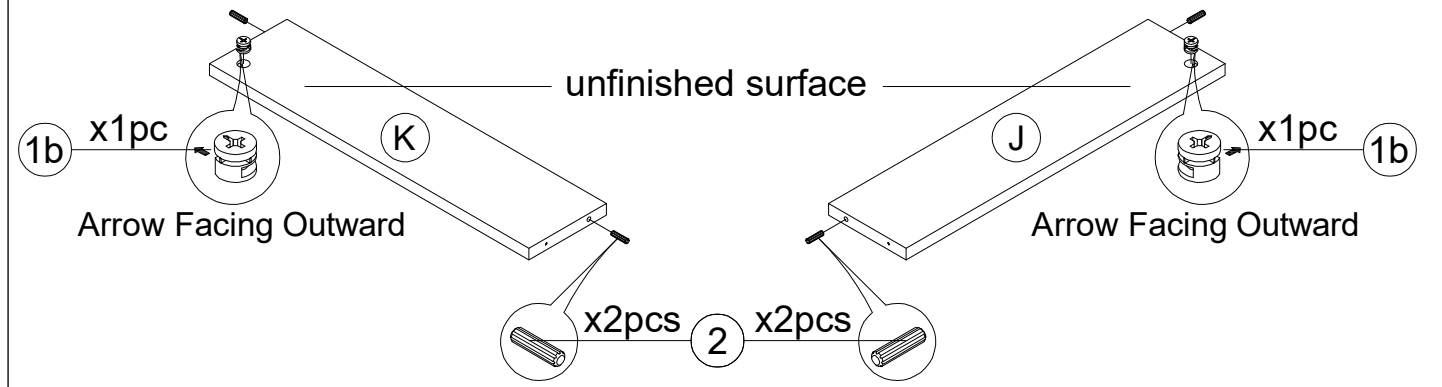


# STEP 6



# STEP 7

## Step 7.1



## Step 7.2

Arrow Facing Outward

