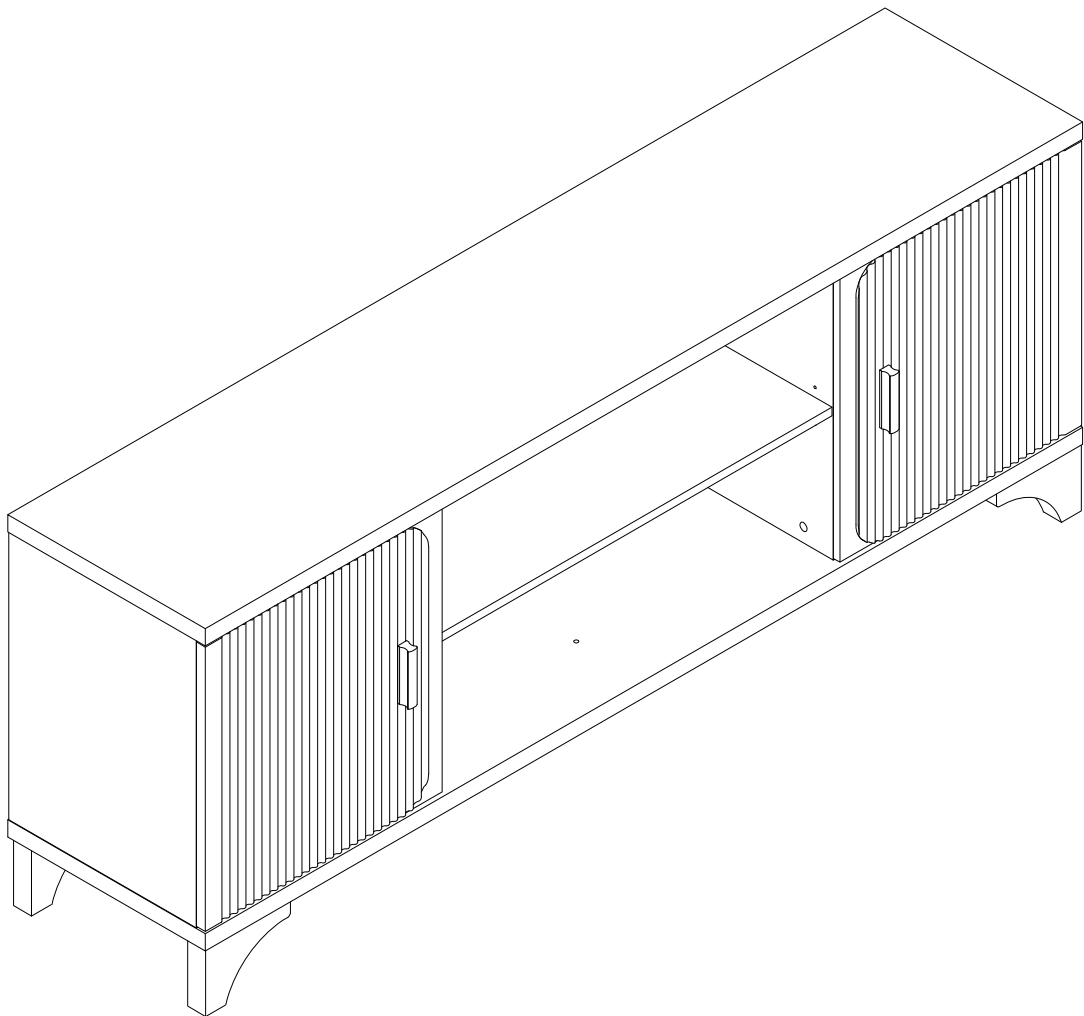
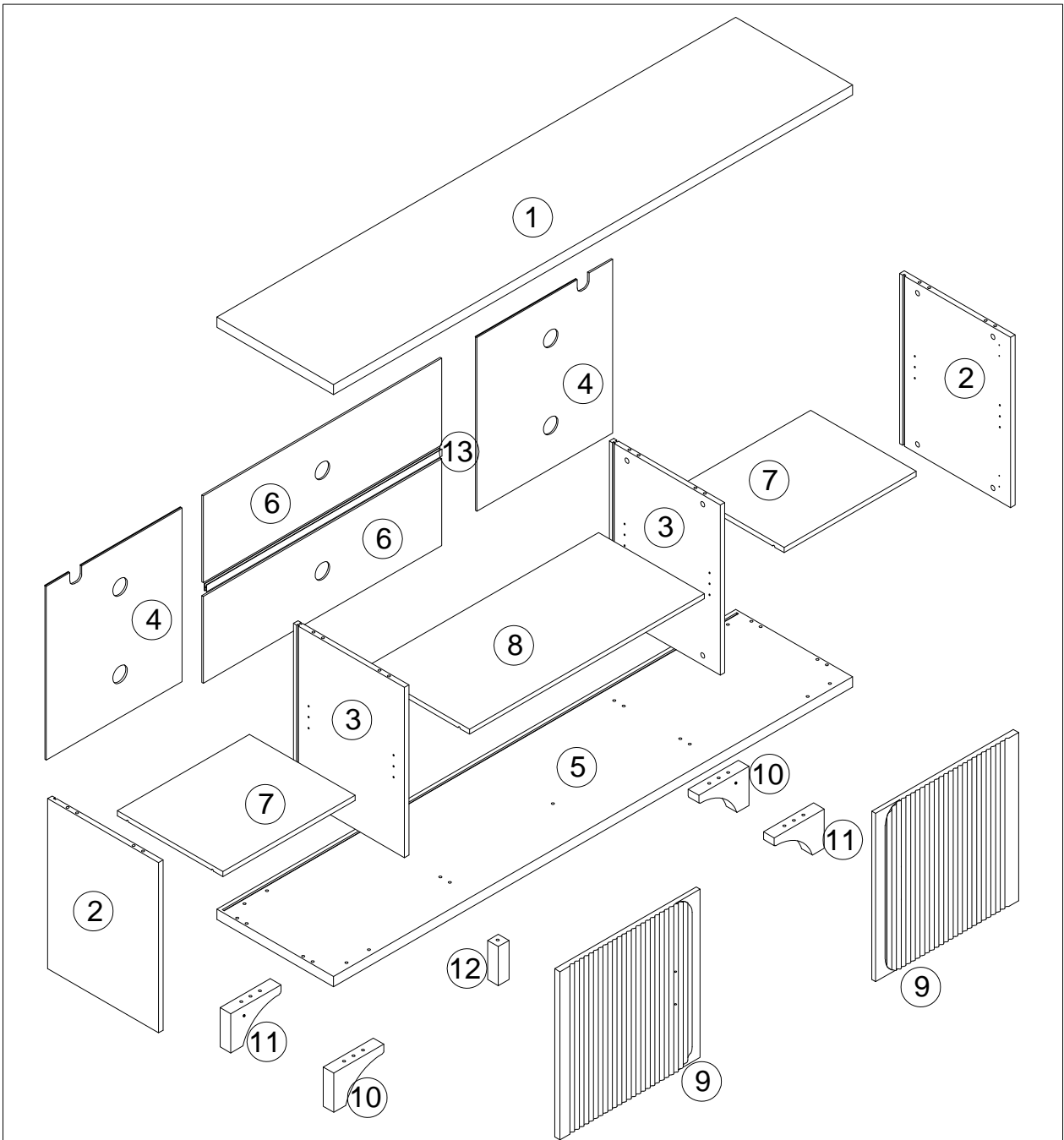

Instruction Manual

TV Stand



Parts List



① x 1

② x 2

③ x 2

④ x 2

⑤ x 1

⑥ x 2

⑦ x 2

⑧ x 1

⑨ x 2

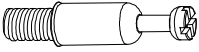


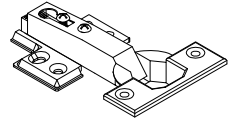
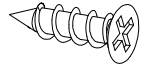
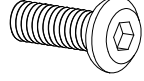

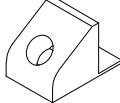
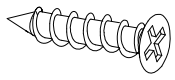


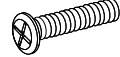
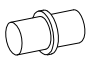
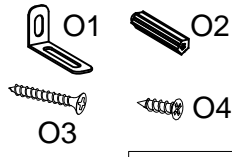
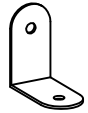
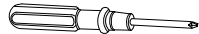
⑩ x 2

⑪ x 2

⑫ x 1

⑬ x 1

Hardware List

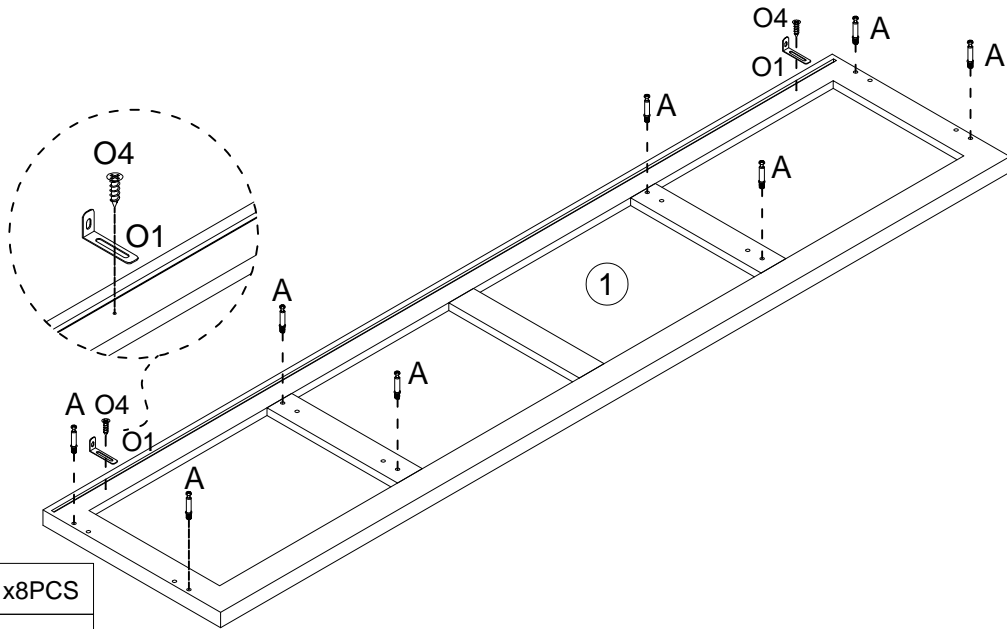
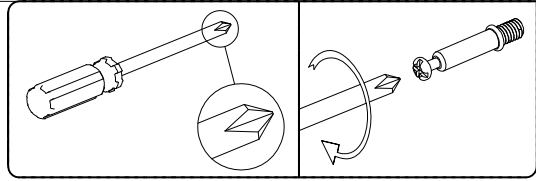
<p>A</p>  <p>Ø6x32mm 16+2 PCS</p>	<p>B</p>  <p>Ø15x10mm 16+2 PCS</p>	<p>C</p>  <p>Ø8x30mm 20+3 PCS</p>	<p>D</p>  <p>4 PCS</p>
<p>E</p>  <p>Ø3.5x14mm 32+3 PCS</p>	<p>F</p>  <p>M6x40mm 9+1 PCS</p>	<p>G</p>  <p>M4 1 PC</p>	<p>H</p>  <p>16+2 PCS</p>
<p>J</p>  <p>Ø3x16mm 16+2 PCS</p>	<p>K</p>  <p>Ø21x1mm 21+5 PCS</p>	<p>L</p>  <p>100x24x18mm 2 PCS</p>	<p>M</p>  <p>M4x22mm 4+1 PCS</p>
<p>N</p>  <p>12+2 PCS</p>	<p>O</p>  <p>2 PCS</p>	<p>P</p>  <p>4 PCS</p>	<p>Q</p>  <p>1 PC</p>

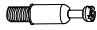


MATTERS NEEDING ATTENTION

1. You need an assistant to complete the installation.
2. Before all parts are in place, do not over-tighten the screw.
3. In order to avoid giving you a bad installation experience, please follow the following steps in the installation instructions, and carefully distinguish between screws and boards.
4. To avoid choking hazards, please keep small parts and packaging materials away from children.
5. Adult assembly is required. Keep away from children during installation.
6. After the installation is completed, you can use cotton cloth to clean the board.
7. If you have any questions, please contact us: Service@goun.com

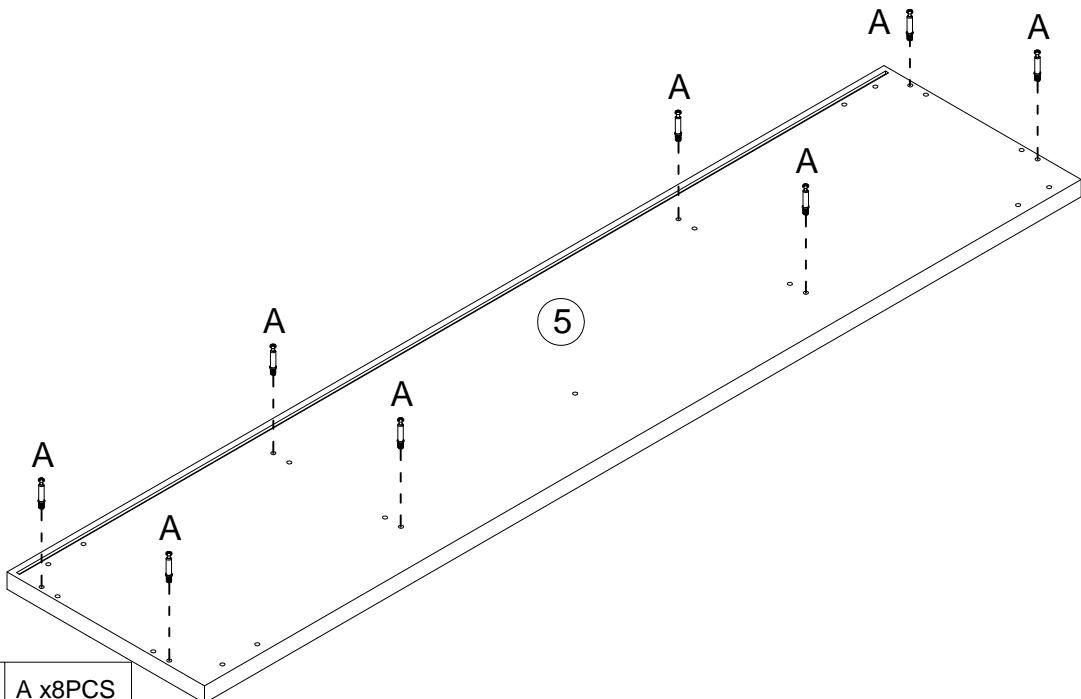
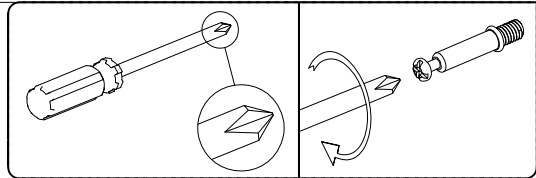
Assembly Steps

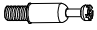
STEP 1



	A x8PCS
	O1 x2PCS
	O4 x2PCS

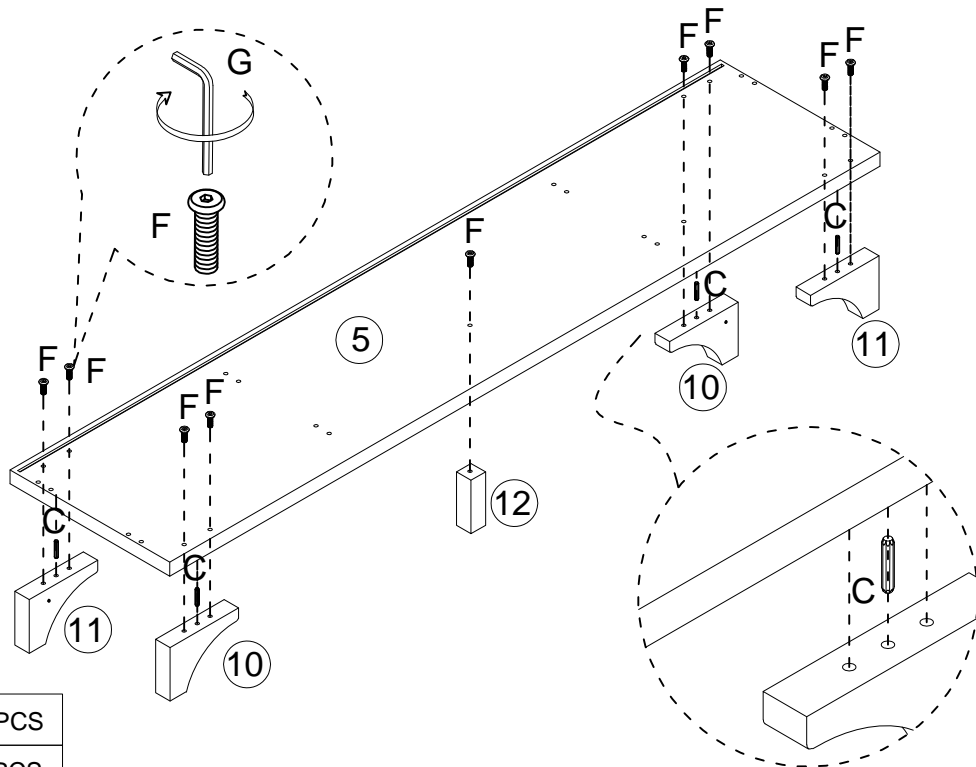
STEP 2





	A x8PCS
---	---------

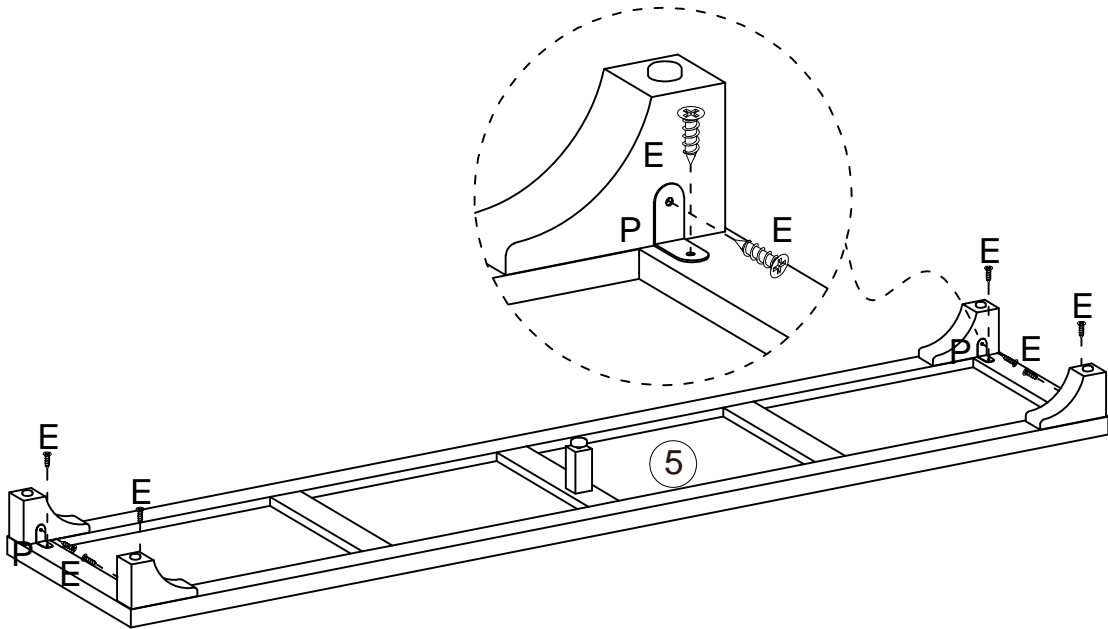
Assembly Steps



STEP 3



	C x4PCS
	F x9PCS

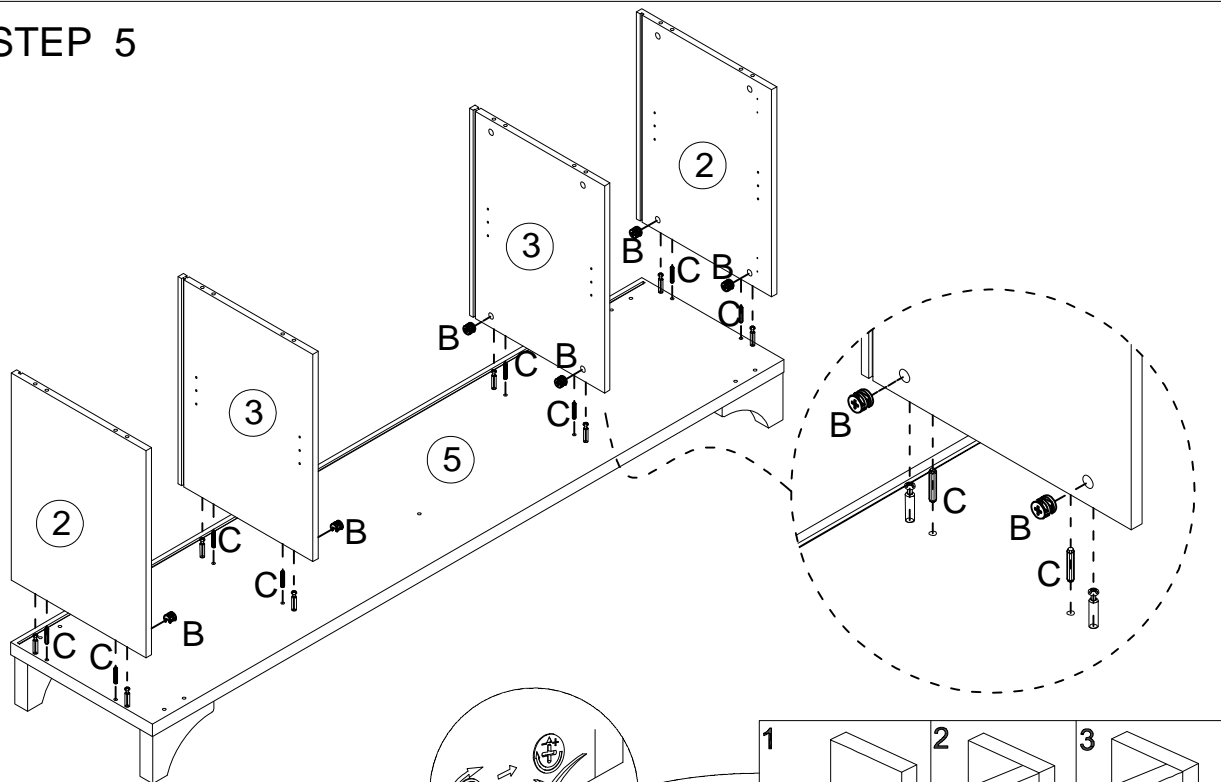
STEP 4





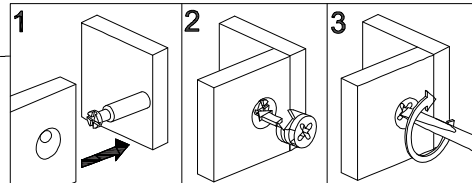
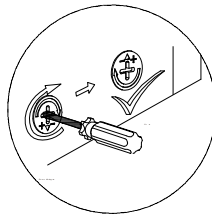
	B x8PCS
	P x4PCS

Assembly Steps

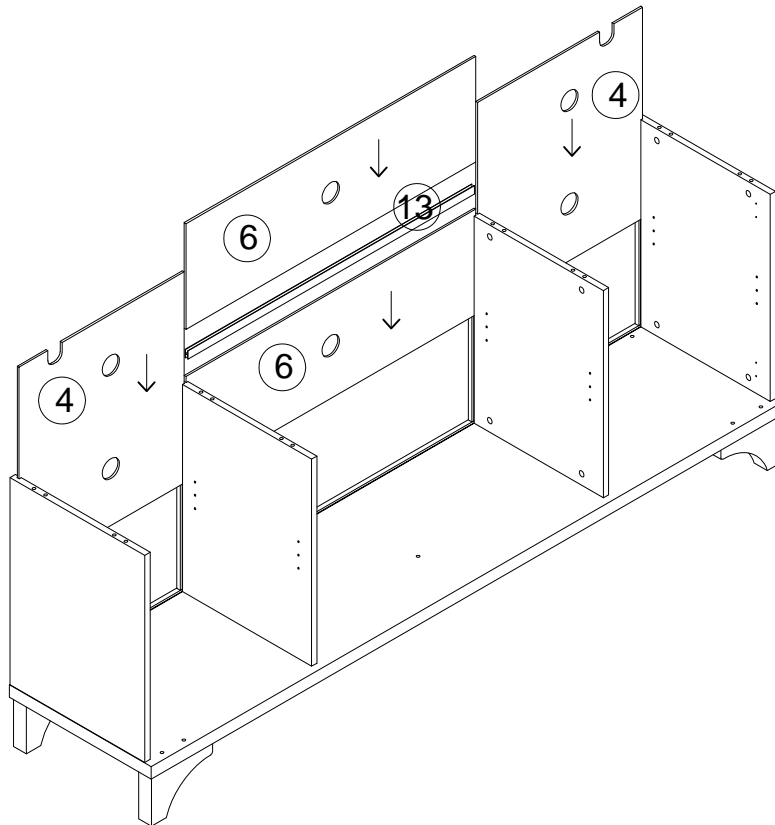
STEP 5



	B x8PCS
	C x8PCS

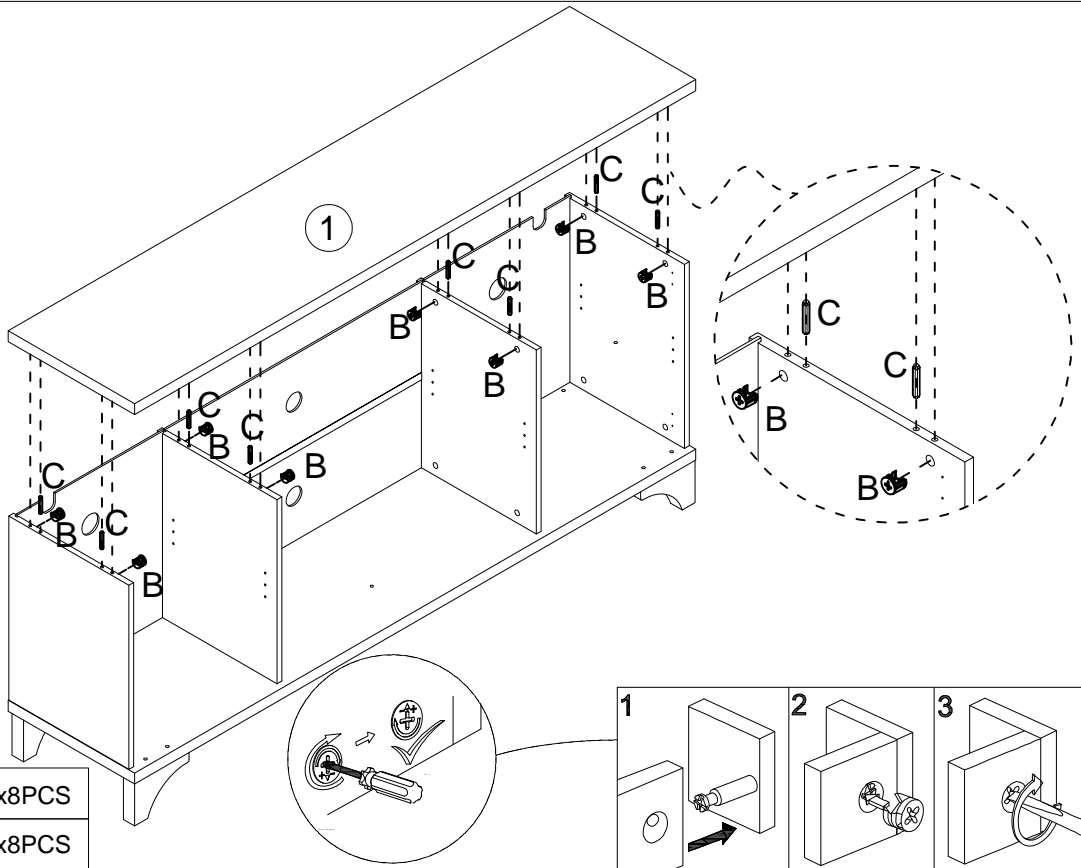




STEP 6



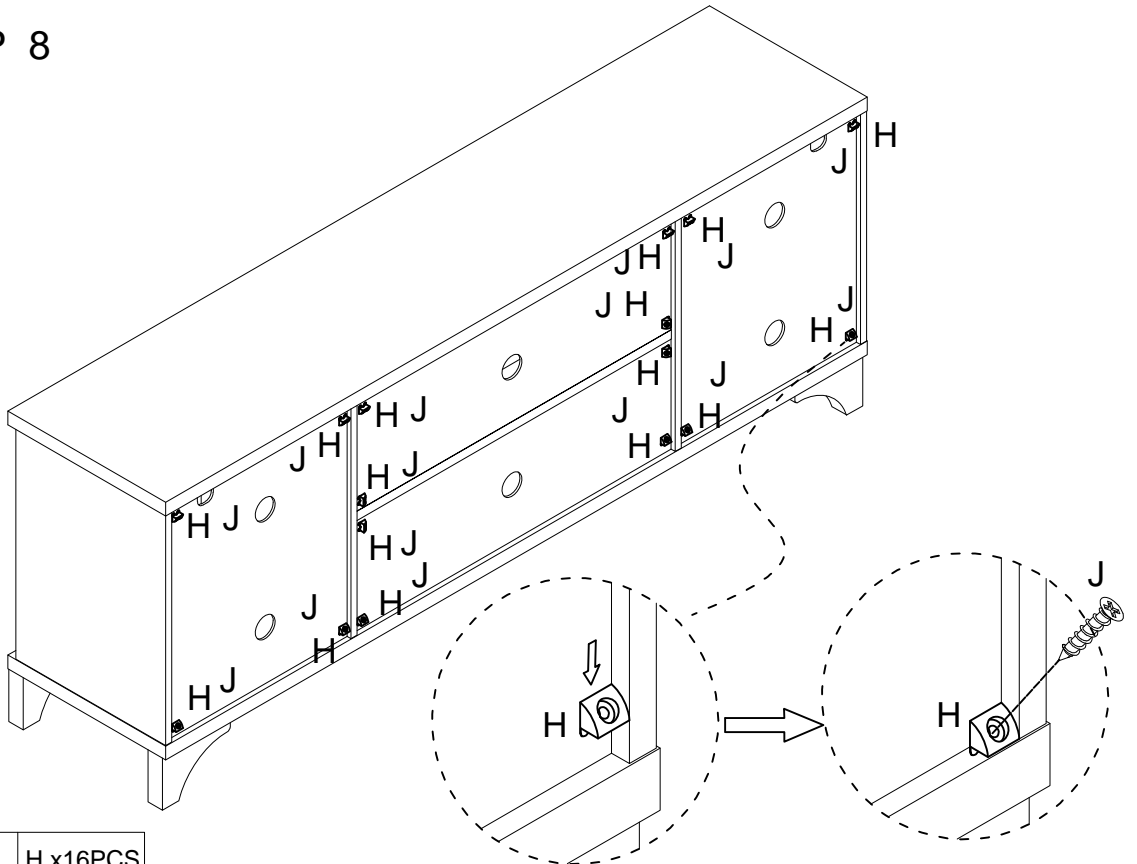
Assembly Steps



STEP 7



	B x8PCS
	C x8PCS

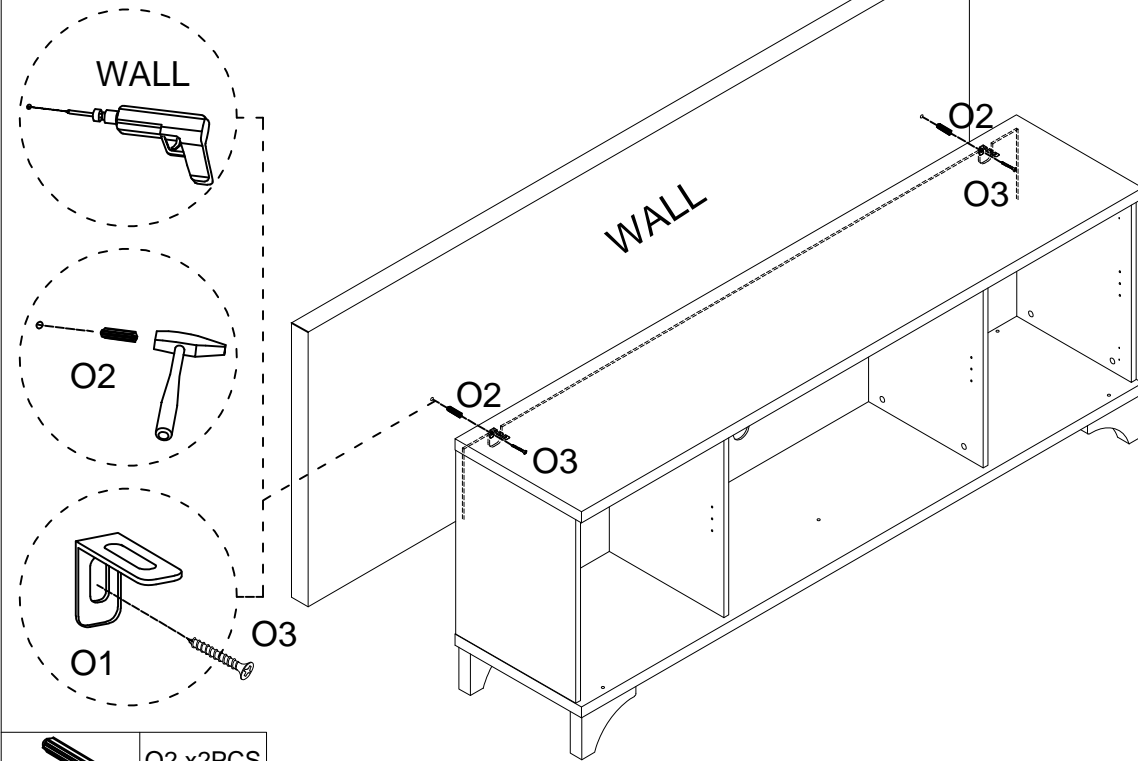
STEP 8


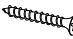


	H x16PCS
	J x16PCS

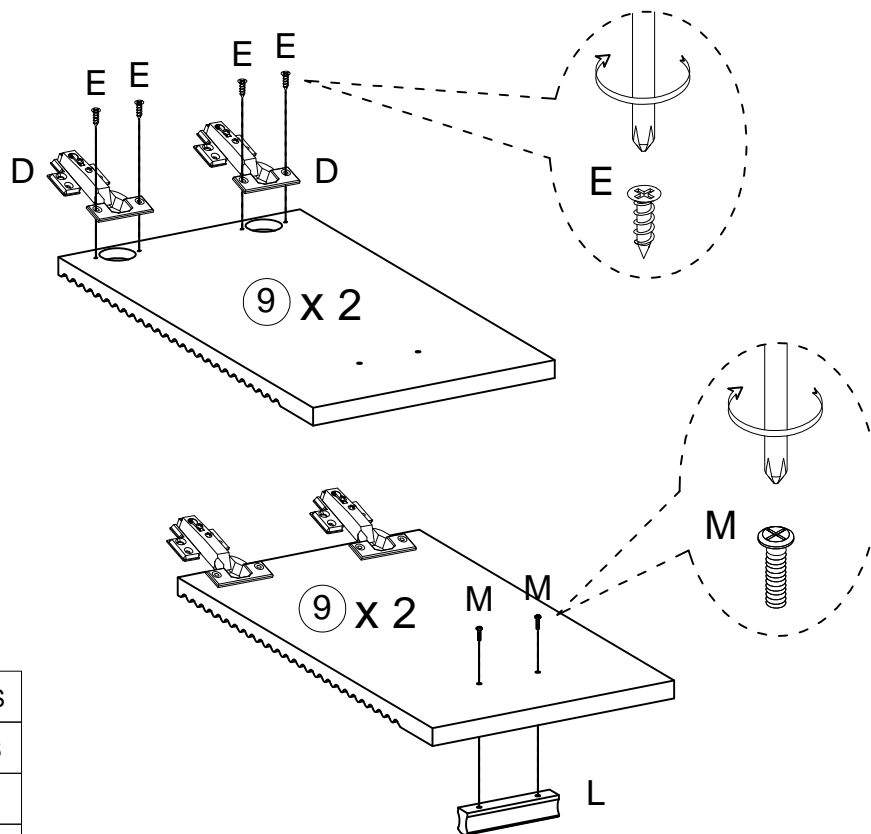
Assembly Steps

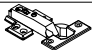



STEP 9



	O2 x2PCS
	O3 x2PCS

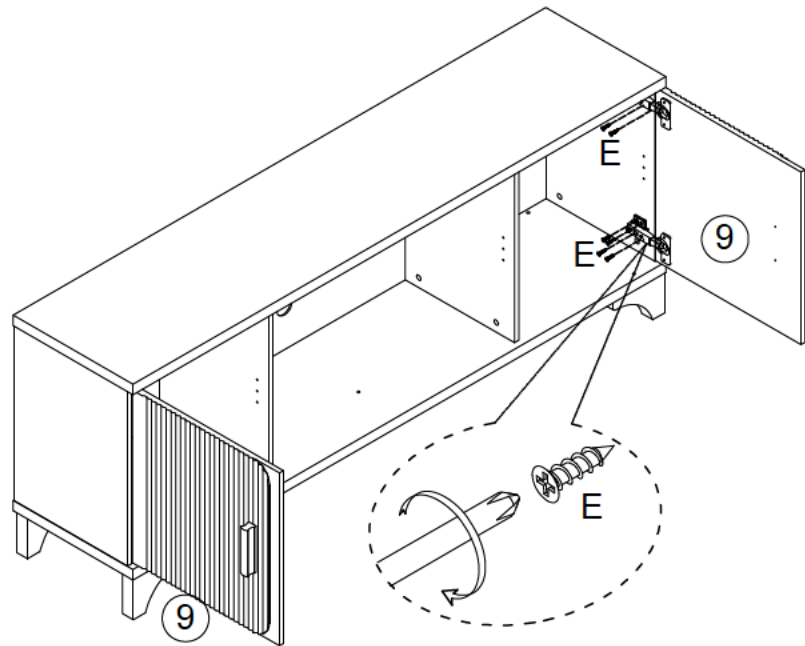
STEP 10



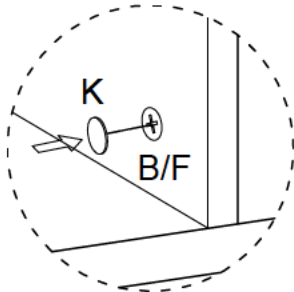
	D x4PCS
	E x8PCS
	L x2PCS
	M x4PCS

Assembly Steps

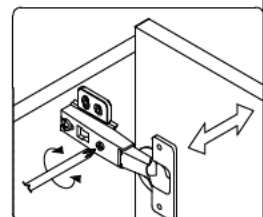
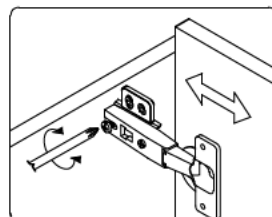
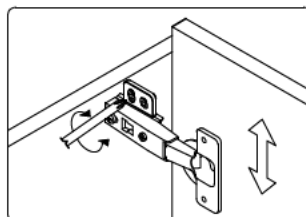
STEP 11





Use K to cover B / F as your needs for aesthetic.



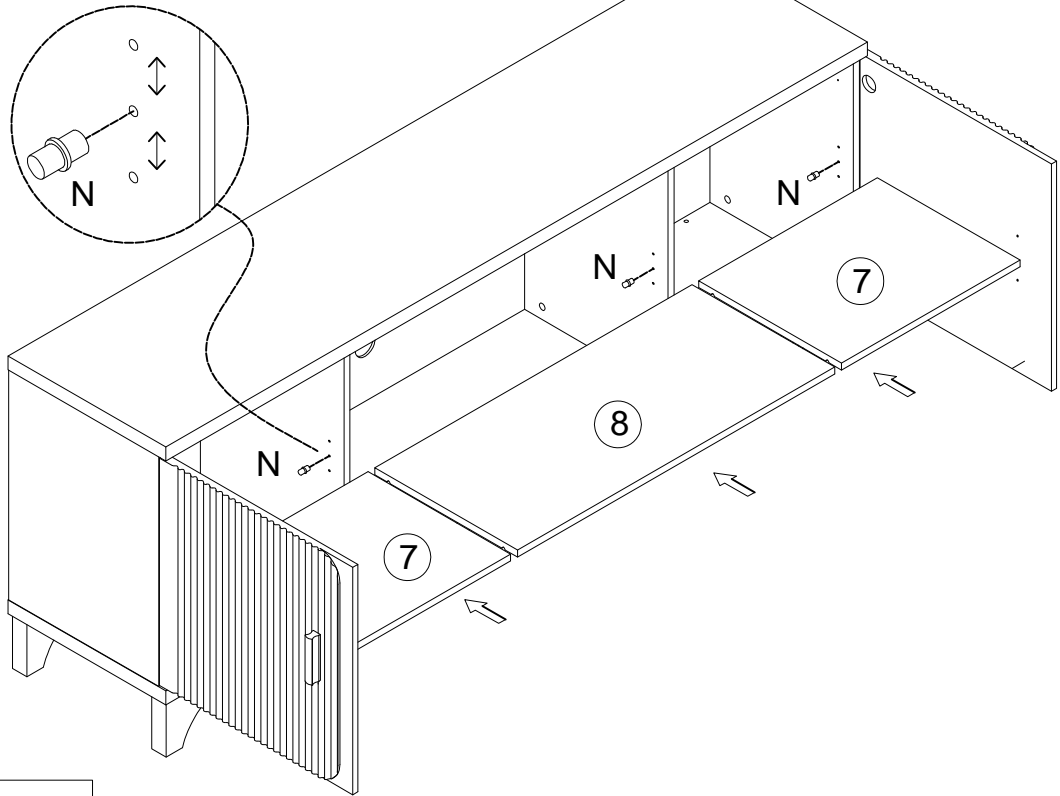
- a. Please refer to Figure 1 to adjust the vertical position of the door panel;
- b. Please refer to Figure 2 to adjust the front-to-back position of the door panel;
- c. Please refer to Figure 3 to adjust the horizontal position of the door panel.



	E x16PCS
	K x21PCS

Assembly Steps

STEP 12



N x12PCS

STEP 13

