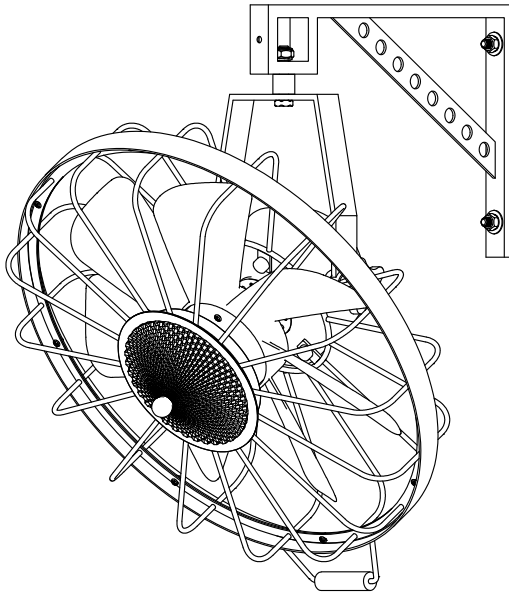


Manual Book

Wall-Mounted Fan With Lights

Model No.: CFL-1258-01



Scan for Installation Video



APP Control Applicable

Safety Rules

1. Be sure the power to the wires you are working on is disconnected, either the fuse is removed or the circuit breaker is turned off. Turning the power off using the light switch is not sufficient to prevent electrical shock.
2. A qualified licensed electrician is required for the installation.
3. The support structure must be secure and able to support at least 70 pounds..
4. Do not operate reversing switch (if applicable) while fan blades are in motion. Fan must be turned off and blades stopped before reversing blade direction.
5. Do not place any objects in the path of the blades.
6. To avoid personal injury or damage to the fan and other items, be cautious when working around or cleaning the fan.
7. Do not use water or detergents when cleaning the fan or fan blades. A dry dust cloth or lightly dampened soft cloth will be suitable for the cleaning.
8. Electrical diagrams are reference only, different fan light may have different light shade and bulbs.
9. Use only our replacement parts. This equipment has been tested and found to comply with the limits for a class B digital device, pursuant to part 15 of the FCC Rules. These limits are to provide reasonable protection against harmful interference in a residential installation. This equipment generates, uses and can radiate radio frequency energy and if not installed and used in accordance with the instructions may cause harmful interference to radio communications.

Warning:

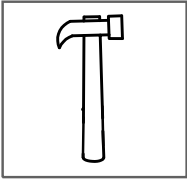
1. Keep all the parts of this product away from children. The package contains small or heavy parts that may bring children the risk of choke or injury.
2. To reduce risk of personal injury, use only the installation parts provided by us.
3. Do not insert anything into the fan blades while the fan is running.
4. Make sure to install all parts firmly enough in case they fall while running. Carefully check all screws, bolts, and washers on the fan assembly to ensure they are secured.

Installation Preparation

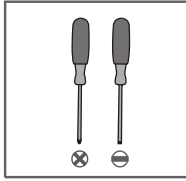
Tools You Need



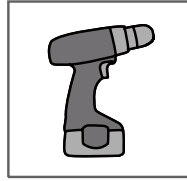
Ladder



Hammer



Screwdrivers

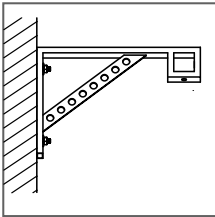


Power Drill



Drill Bit

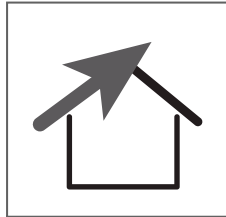
What to Expect with Your Installation



Must be able to secure the fan to building structure or solid wood

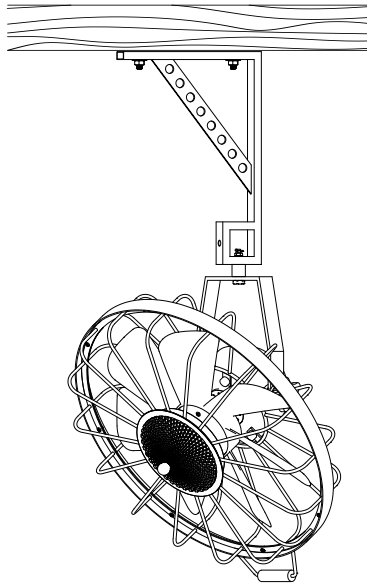


Check the box to see the weight of the fan

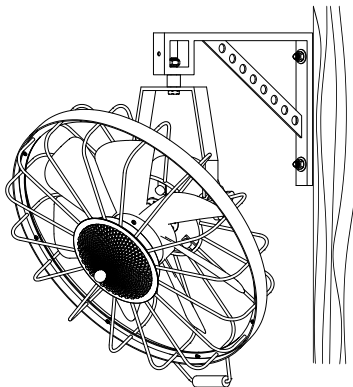


Not applicable for angled ceiling

Installation Options

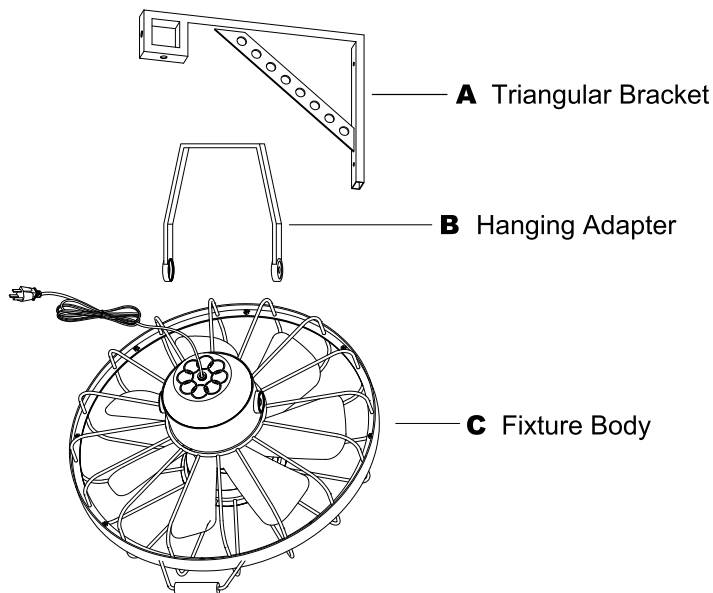


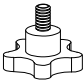

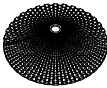








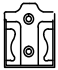


Option 1 Adapt To The Ceiling



Option 2 Adapt To The Wall

Packing List



AA	 x2	BB	 x1	CC	 x1	DD	 x1	EE	 x1
	Coupling Knob		Connecting Bolt Kit		Light Shade		Double End Bolt		Cap Nut
FF	 x1	GG	 x2	HH	 x2	II	 x2	JJ	 x1
	Sleeve		Anchor Bolt		Wood Screw		Flat Washer		Gloves
	 x1		 x1		 x2		 x2		
	Remote Control x1		Remote Holder x1		Remote Holder Anchor x2		Remote Holder Screw x2		

Note: The listed quantity is for installation, extra hardware may be included.

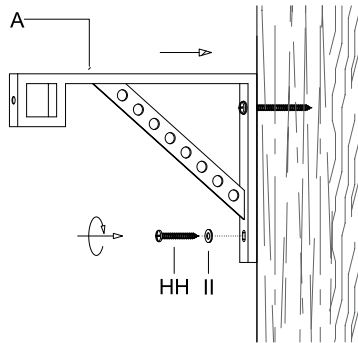
Installation Instructions

1. Install the Triangular Bracket

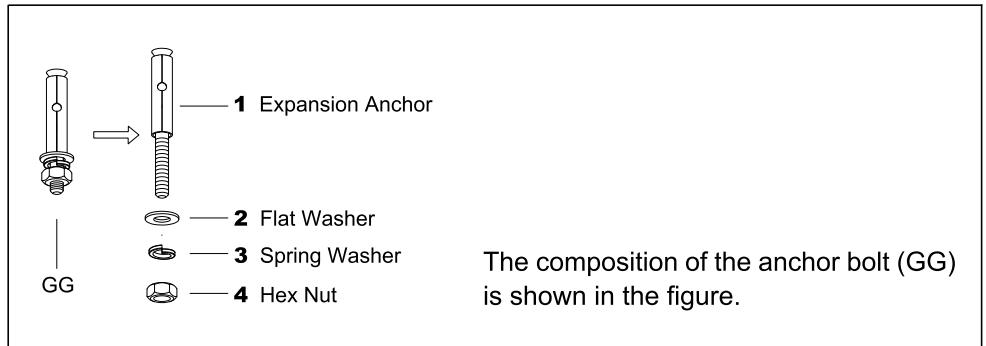
This product must be installed on the ceiling or wall made of cement or solid wood structure.

1.1 Install on solid wood structure

Install the triangular bracket (A) onto the solid wood structure using wood screw (HH) and flat washer (II).

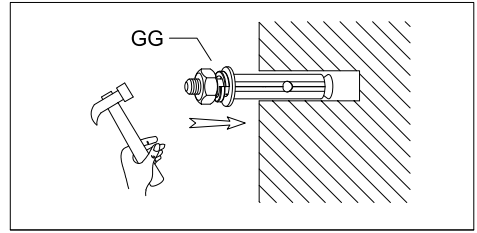
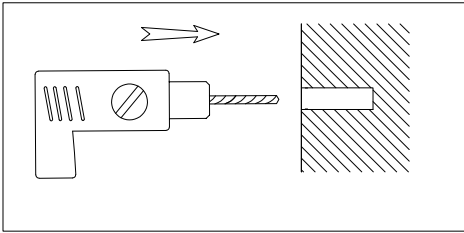


1.2 Install on cement structure



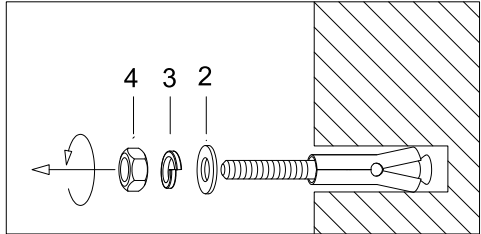
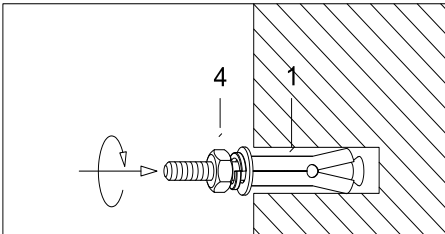
Step 1. Mark and drill the screw holes that you want to install.

Step 2. Drive the anchor bolt (GG) into the hole.

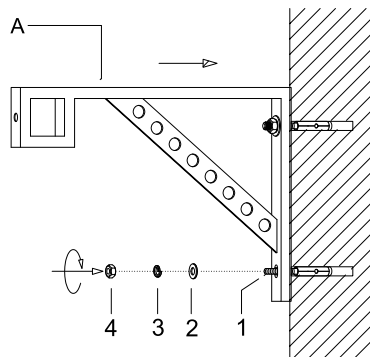


Step 3. Tighten hex nut (4) until expansion anchor (1) feels secure and no longer loose.

Step 4. Remove hex nut (4), spring washer (3) and flat washer (2) for use in the next step.

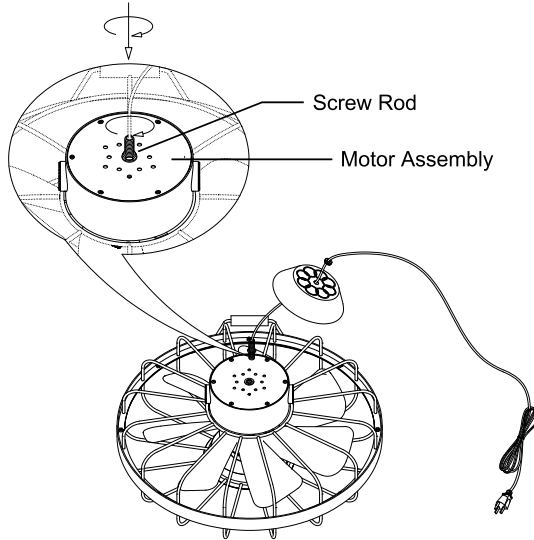


Step 5. Attach the triangular bracket (A) onto the expansion anchor (1), fit in flat washer (2), spring washer (3), and tighten with hex nut (4).

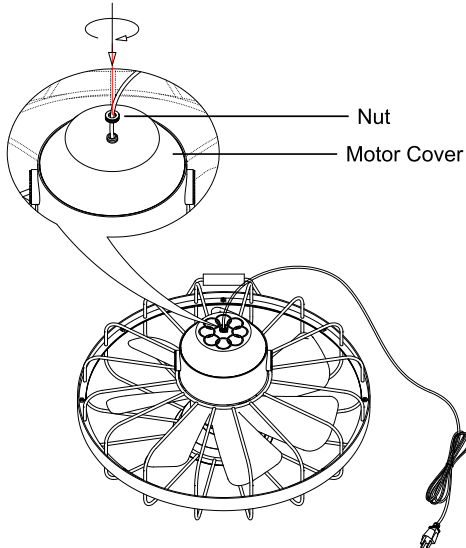


2. Assemble the Fan

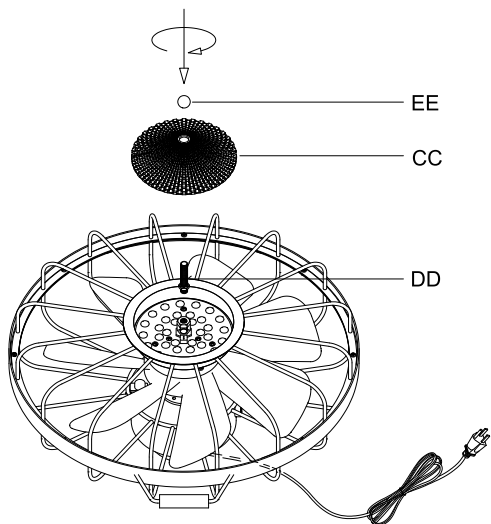
Step 1. Screw the screw rod at the top of the fan into the motor assembly.



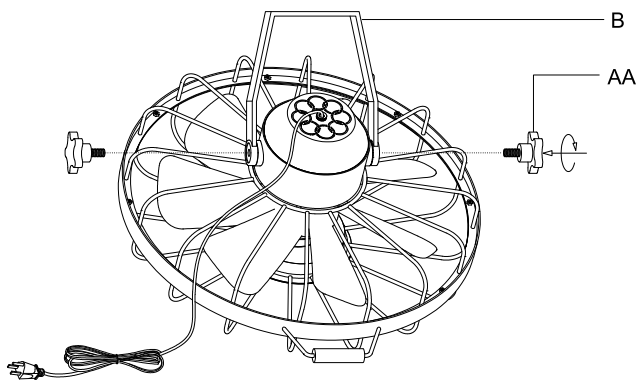
Step 2. Put on the motor cover and tighten it with the nut.



Step 3. Screw the double end bolt (DD) into the screw hole at the center of the light source. Attach the light shade (CC) on it and secure with the cap nut (EE).

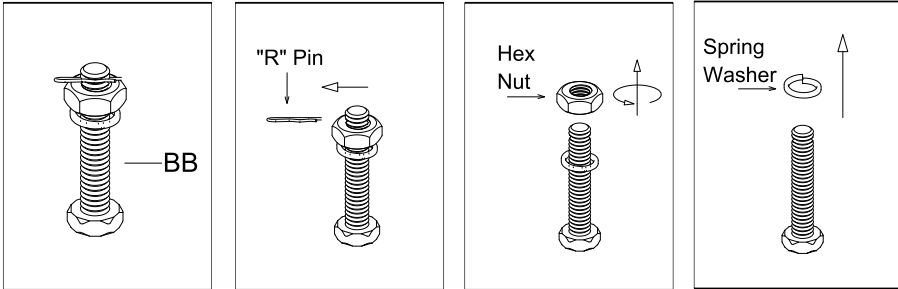


Step 4. Assemble the hanging adapter (B) on the fixture body, and secure with coupling knob (AA).

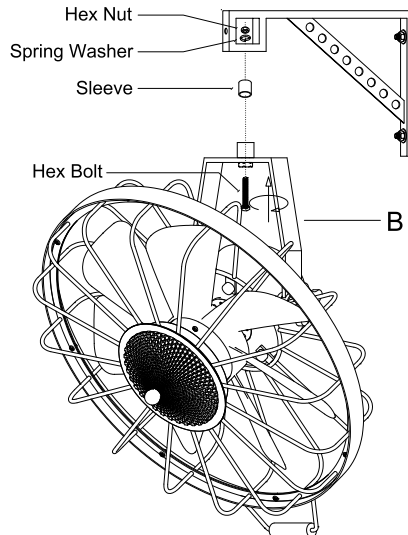


3. Hang the Fan

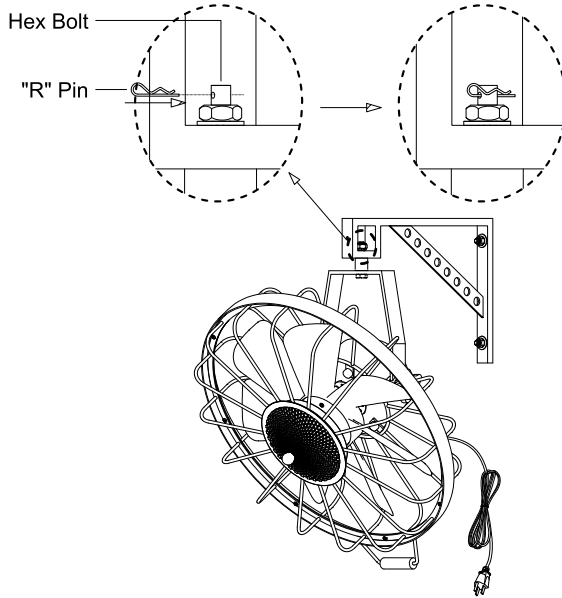
Step 1. Remove the "R" Pin, hex nut and spring washer from the connecting bolt kit (BB).



Step 2. Thread the hex bolt through hanging adapter (B), sleeve (FF), triangular bracket and the spring washer, and then secure with hex nut.

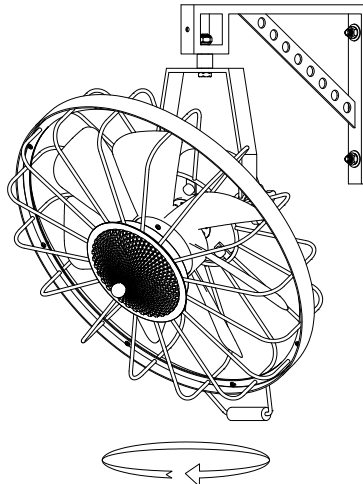


Step 3. Insert the "R" pin into the hole of the hex bolt.

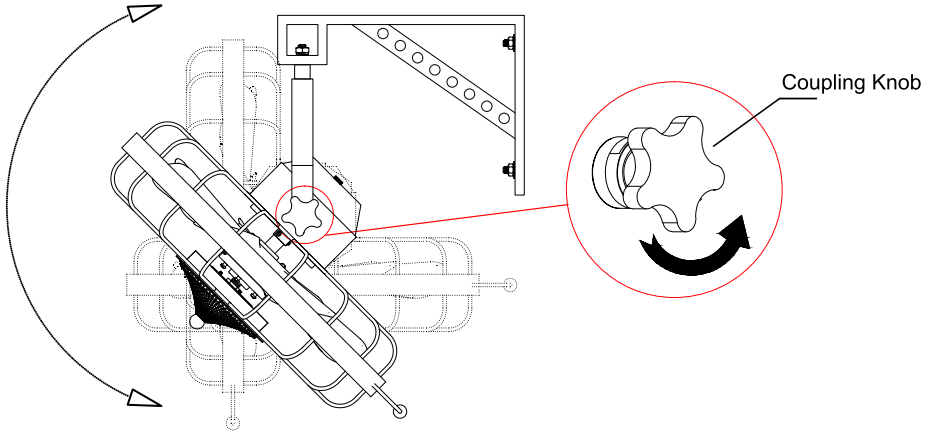


4. Adjust the Fan Angle

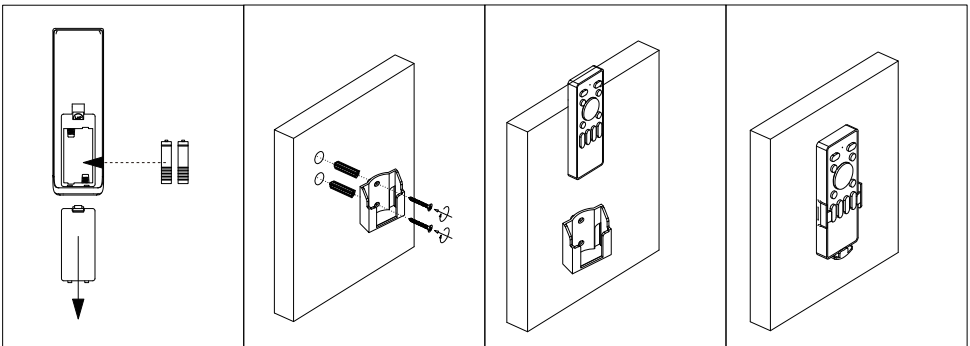
Step 1. Slowly adjust the angle in the horizontal direction.



Step 2. Loosen the coupling knob on both sides of the fan to adjust the angle in the vertical direction.



5. Install the Remote Holder



Step 1: Insert 2 batteries before using: AAA 1.5V battery x 2pcs (not included).

Step 2: Mark and drill screw holes in the wall, then insert the remote holder anchors.

Step 3: Use remote holder screws to fix the remote holder onto the wall.

Remote Control Instructions

		Turn off fan and light.
		Turn on/off the light.
		Quick switch of the light color: Yellow Light → White Light → Natural Light
		Adjust the brightness of the light.
		Adjust the light color temperature.
		Night mode, lights will be dimmed.
		Fan speeds 1 through 6.
		Switch the fan's rotation direction between forward and reverse.
		Natural Wind Mode: Fan speed automatically adjusts.
		Turn off the fan.
		Set a 2-hour timer for the fan.

NOTE:

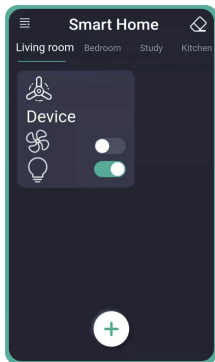
Please insert 2 batteries before using. AAA 1.5V battery x 2pcs (not included).




REMOTE SIGNAL PAIRING:

If the remote control loses signal with the fan, turn off the power from wall switch, then turn it on, immediately press and hold the button for around 3 seconds, after the fixture beeps or flashes, it's done.

APP Control Instructions

Install the "FanLamp Pro" app from Google Play, Apple App Store, or other app stores by scanning the QR code or searching for the app name. Ensure that your phone is connected to the internet and Bluetooth enabled.



	Pairing: Click the Pair button within 5 seconds after turning on the fan from the wall switch. Once the fan flashes or beeps, it has been successfully paired with your phone and can now be controlled through the app.
	Turn on/off the light.
	Quick switch for "White" light color.
	Quick switch for "Yellow" light color.
	Quick switch for "Natural" light color.
	Night mode: Dim the lights.
	Slide the slider to change the brightness of the light.
	Slide the slider to change the fan speed.
	Fan moves forward.
	Fan moves reversely.
	Change the direction of the wind. (Not supported)
	Timing the fan.
	Natural wind: The fan speed will change automatically when you use this function
	Sleeping wind. (Not supported)
	Turn on/off the fan.
	Unpairing: Click the unpair button within 5 seconds after turning on the fan. Once the fan flashes or beeps, it has been successfully unpaired from your phone.

Trouble Shooting

1. Fan doesn't work

- Make sure the fixture is connected to an ON/OFF wall switch, not a dimmer switch.
- Check the remote control battery (not included in this package).
- Check the circuit breaker to ensure the power is on.
- Turn off power from the circuit breaker, then loosen the canopy and check all the connections according to the wiring diagram.

2. Lights Do Not Light Up / Flicker / Noisy Operation

- Make sure the fixture is connected to an ON/OFF wall switch, not a dimmer switch.
- Check your power and switch to make sure it's powered on.

3. Noisy Operation

- Re-tighten all screws on the bracket, and fan blades (do not over tighten).
- Check to see if any of the blades are cracked. If so, replace all of the blades.

4. Remote does not work

- Make sure the battery is installed correctly.
- Pair the remote control again. (See "Remote Control Instructions")
- Install 2 new batteries.

Clean And Care

To clean, wipe the fixture with a soft cloth. Spraying from chemical cleaners can discolor the finish of the fixture. Do not use scouring pads, powders, steel wool, or abrasive paper to clean this fixture.

Ordering Parts

Keep this manual for future reference, and in case replacement parts are needed. Available parts can be ordered from the place of purchase. Use exact wording from diagrams when ordering parts.