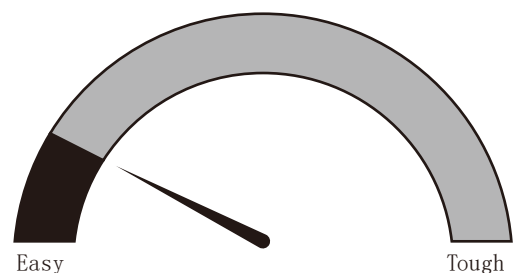


THIS INSTRUCTION BOOKLET CONTAINS IMPORTANT SAFETY INFORMATION. PLEASE READ AND KEEP FOR FUTURE REFERENCE.



WARNING

- Unit can tip over causing severe injury or death.
- Anchor unit to stud in wall (if instructed to).
- Do Not allow children to climb on unit.
- Put heavy items on lower shelves or drawers.

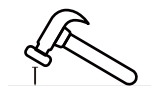
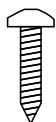


Assembly Difficulty Meter

Helpful Hints





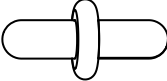

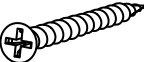
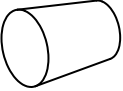
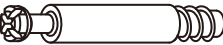



PEOPLE NEEDED FOR ASSEMBLY: 1 - 2
ESTIMATED ASSEMBLY TIME: 1 HOUR

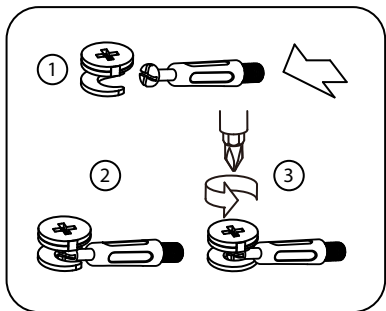
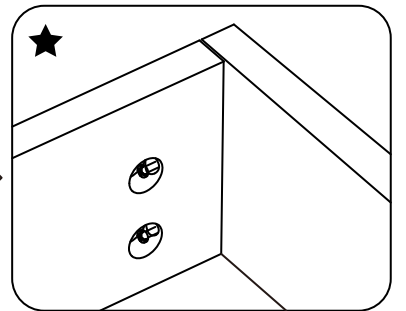
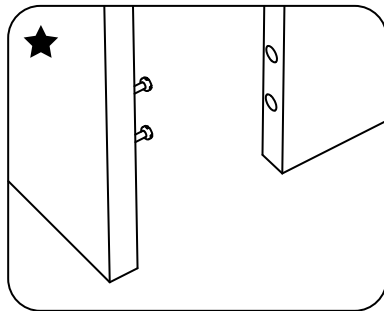
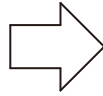
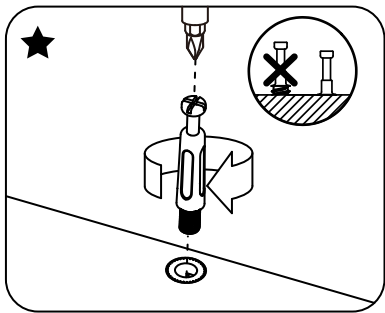
- Identify, sort and count the parts before attempting assembly.
- Compression dowels are lightly tapped in with a hammer.
- Slides are labeled with a R (right) and L (left) for proper placement.
- Make sure to always face the point on the top of the Cam Lock towards the outer edge.
- Use all the nails provided for the back panel and spread them out equally.
- Back panel must be used to make sure your unit is sturdy.
- Do NOT use harsh chemicals or abrasive cleaners on this item.
- Never push, pull, or drag your furniture.
- Open your item in the area you plan to keep it to avoid excessive heavy lifting.



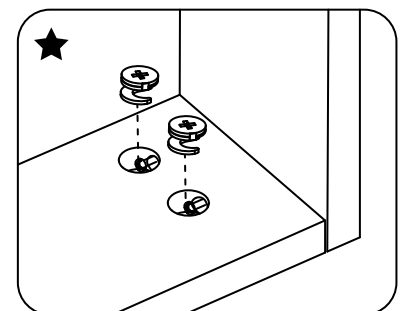
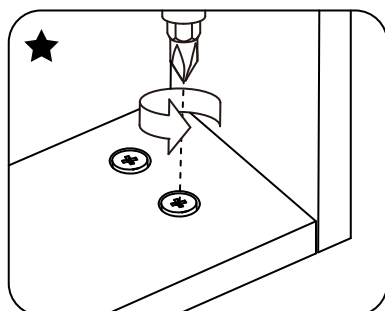
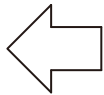
Before You Start

- ✓ — Installation is very difficult, please two people to install
- ✓ — Read through each step carefully and follow the proper order
- ✓ — Separate and count all your parts and hardware
- ✓ — Give yourself enough room for the assembly process
- ✓ — Have the following tools: Hammer
- ✓ — Caution: If using a power drill or power screwdriver for screwing, please be aware to slow down and stop when screw is tight.
Failure to do so may result in stripping the screw.

<p>A</p>  <p>3.5*40mm x 39</p>	<p>B</p>  <p>15*11.5mm x 59</p>	<p>C</p>  <p>3.5*40mm x 19</p>	<p>D</p>  <p>x 16</p>
<p>E</p>  <p>x 4</p>	<p>F1</p>  <p>F1: 3.5*18mm x 2</p>	<p>F2</p>  <p>F2: 3.5*40mm x 4</p>	<p>G</p>  <p>x 5</p>
<p>H</p>  <p>x 16</p>	<p>I</p>  <p>x 1</p>	<p>J</p>  <p>x 2</p>	<p>K</p>  <p>4*18mm x 5</p>

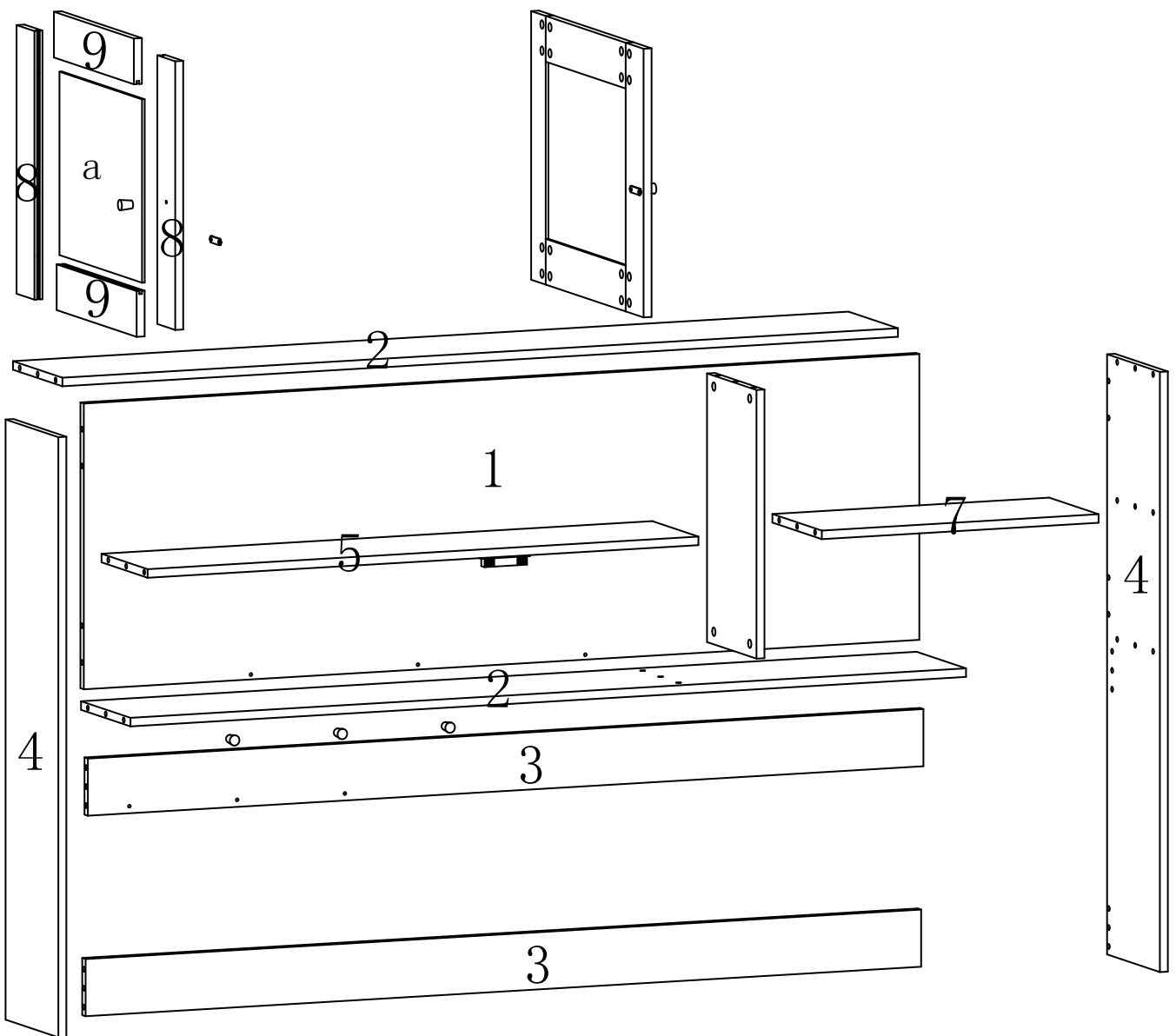


Parts assembly diagram



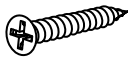

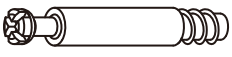
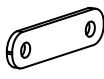



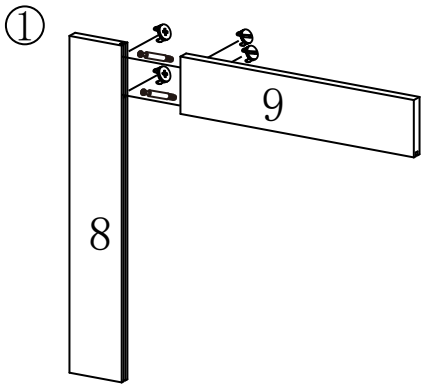
★ All asterisks follow the installation process above

Plate splitting diagram

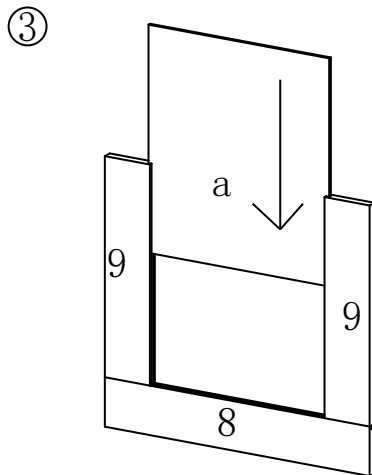
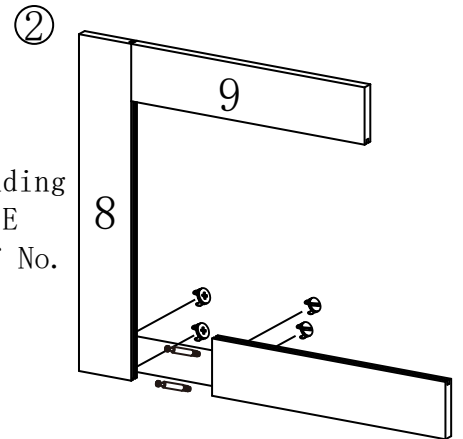


installation drawing 1

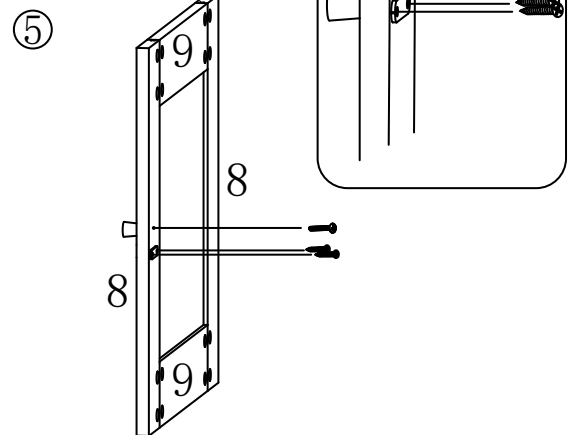
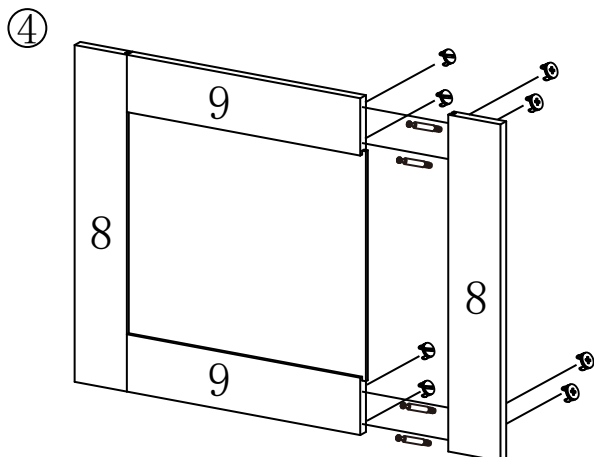
<p>B</p>  <p>15*11.5mm ×20</p>	<p>D</p>  <p>×16</p>	<p>F1</p>  <p>F1:3.5*18mm ×2</p>	<p>G</p>  <p>×2</p>
<p>H</p>  <p>3.5*40mm ×16</p>	<p>J</p>  <p>×2</p>	<p>K</p>  <p>4*18 mm ×2</p>	



① First put H into the corresponding
 ② hole of No. 9 board, then put E
 ④ into the corresponding hole of No.
 9 board to lock, and finally
 lock A with B



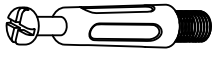
Push a into the slots of the two 9 plates



Fix G and in front of plate 8 with K
 Fix J and in front of plate 8 with F2

installation drawing 2

A



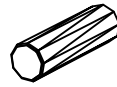
3.5*40mm ×4

B

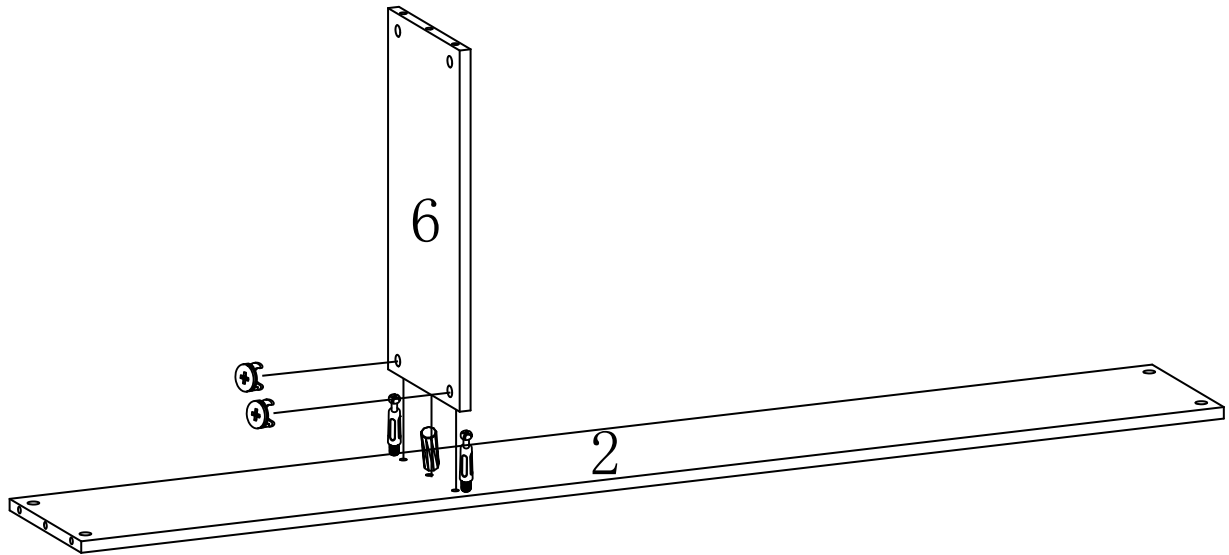


15*11.5mm ×4

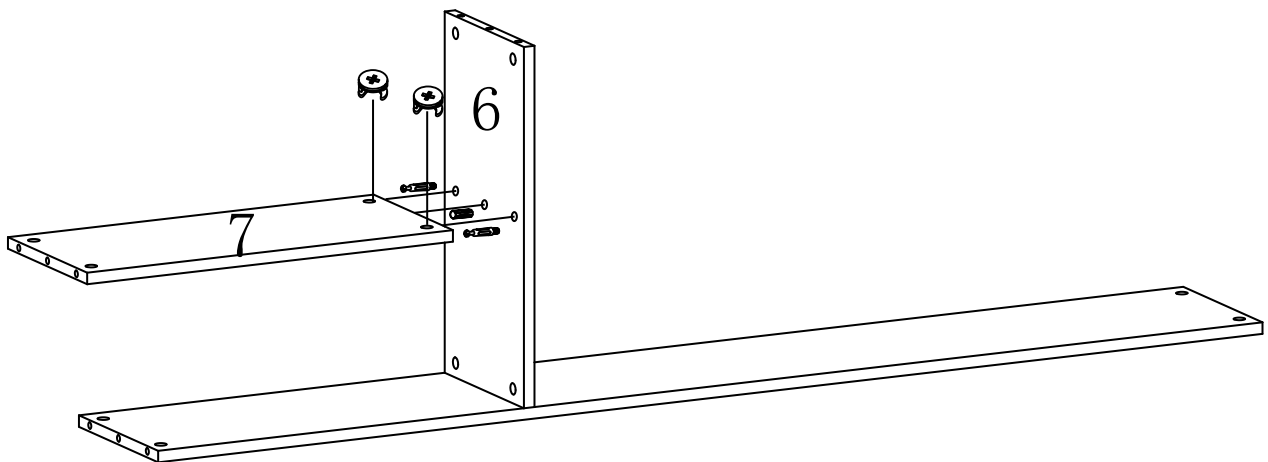
C



3.5*40mm ×2

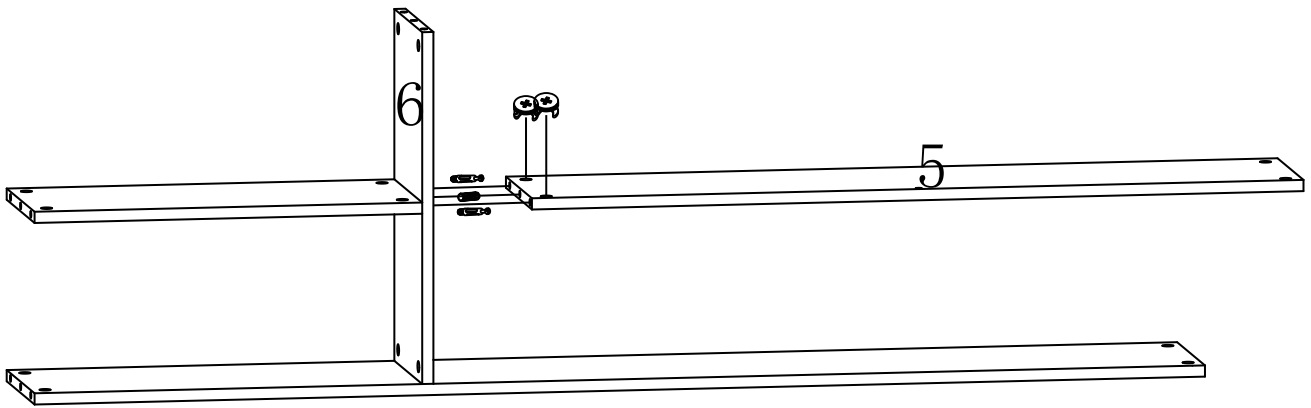
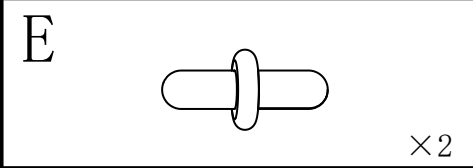
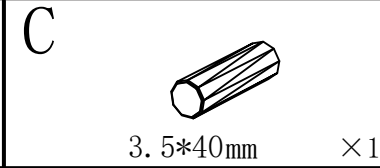
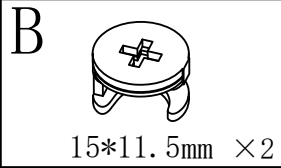
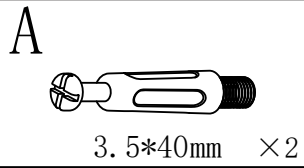


Connect plate 2 and plate 7 with A and C,
and then lock plate A with B

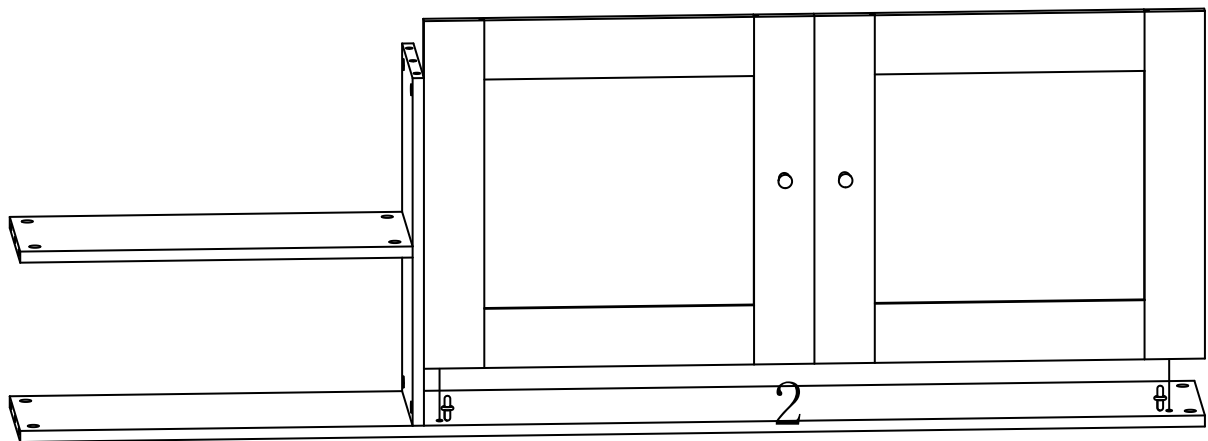


Connect plate 6 and plate 7 with A and C,
and then lock plate A with B

installation drawing 3

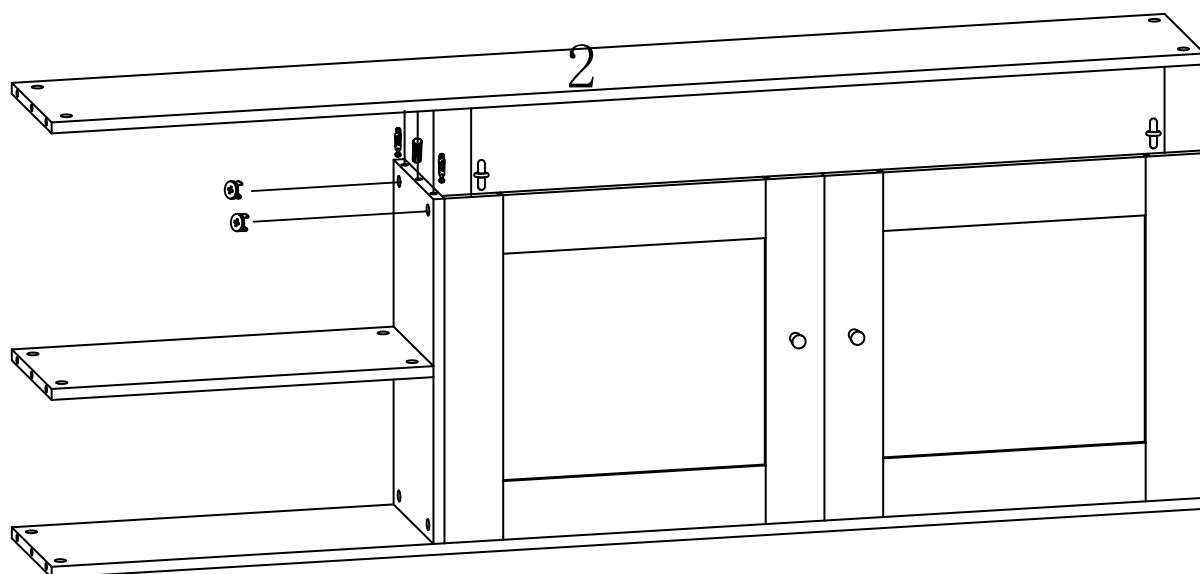
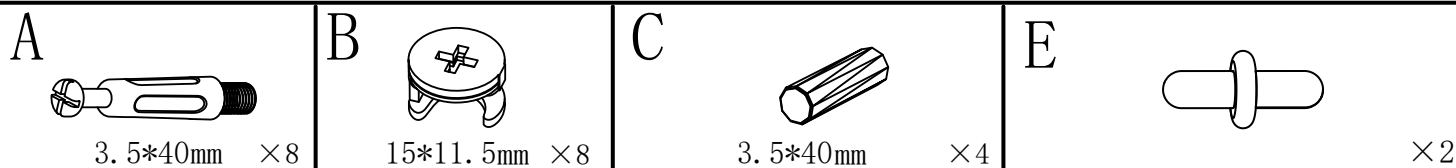


Connect plate 5 and plate 7 with A and C, and then lock plate A with B

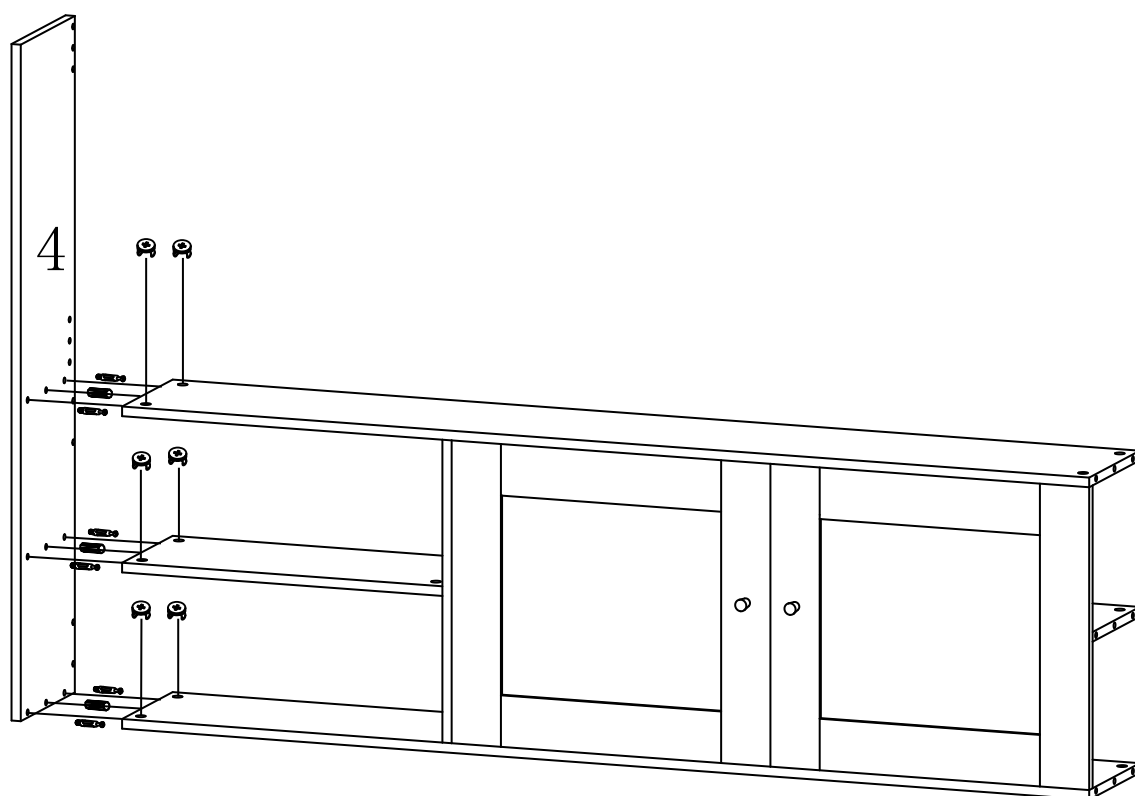


Use E to connect and fix the glass door and No.2 plate

installation drawing 4

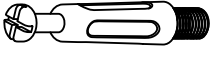




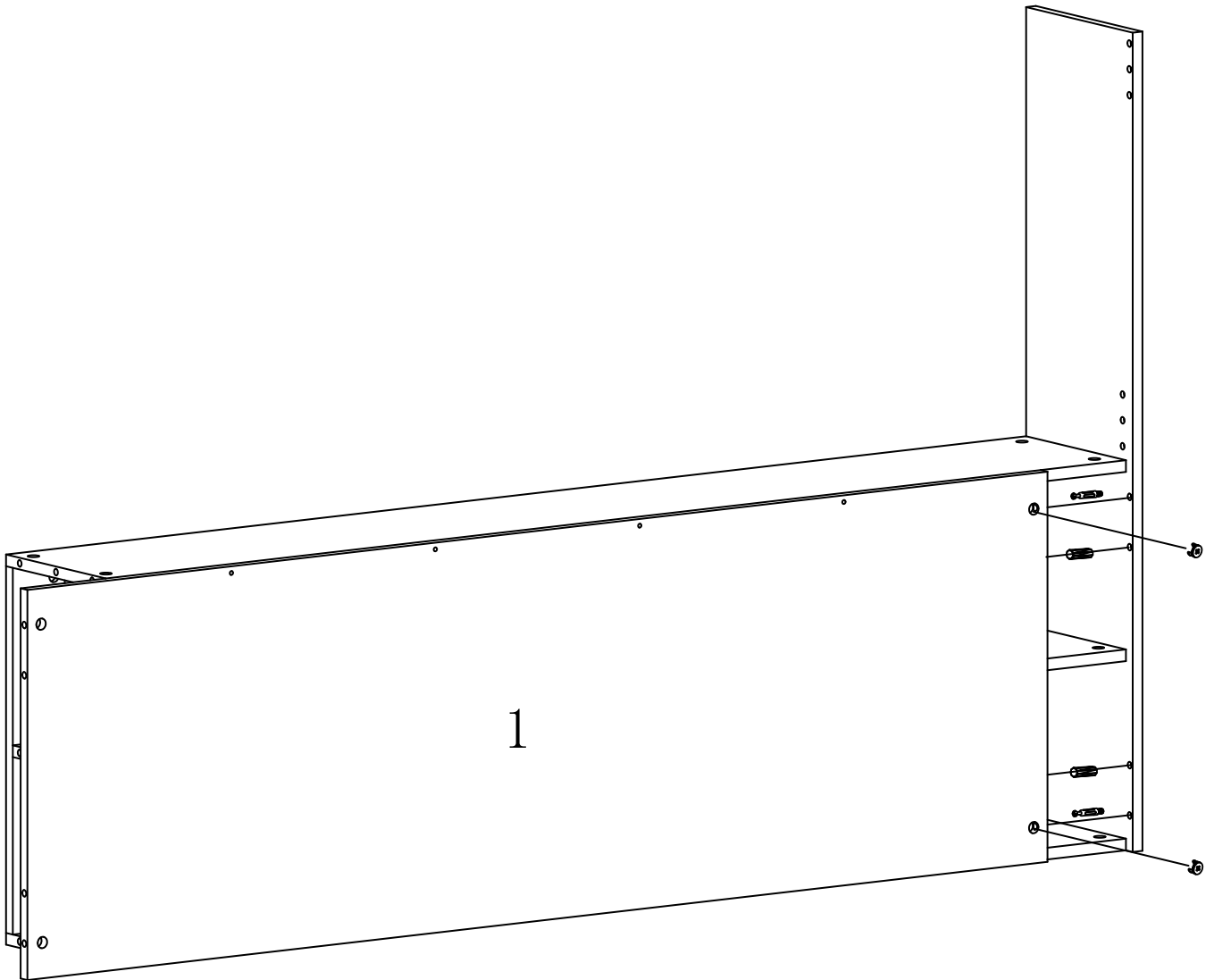
Use A, C and E to connect the No. 2 plate and the previously installed part, and then use B to lock A and fix it



Use A and C to connect the No. 4 plate with the previously installed part, and then use B to lock A for fixation

installation drawing 5

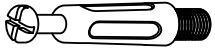
A  3.5*40mm ×2	B  15*11.5mm ×2	C  3.5*40mm ×1
---	--	---



Use A and C to connect the No. 1 board with the previously installed part, and then use B to lock A and fix it

installation drawing 6

A



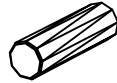
3.5*40mm ×2

B

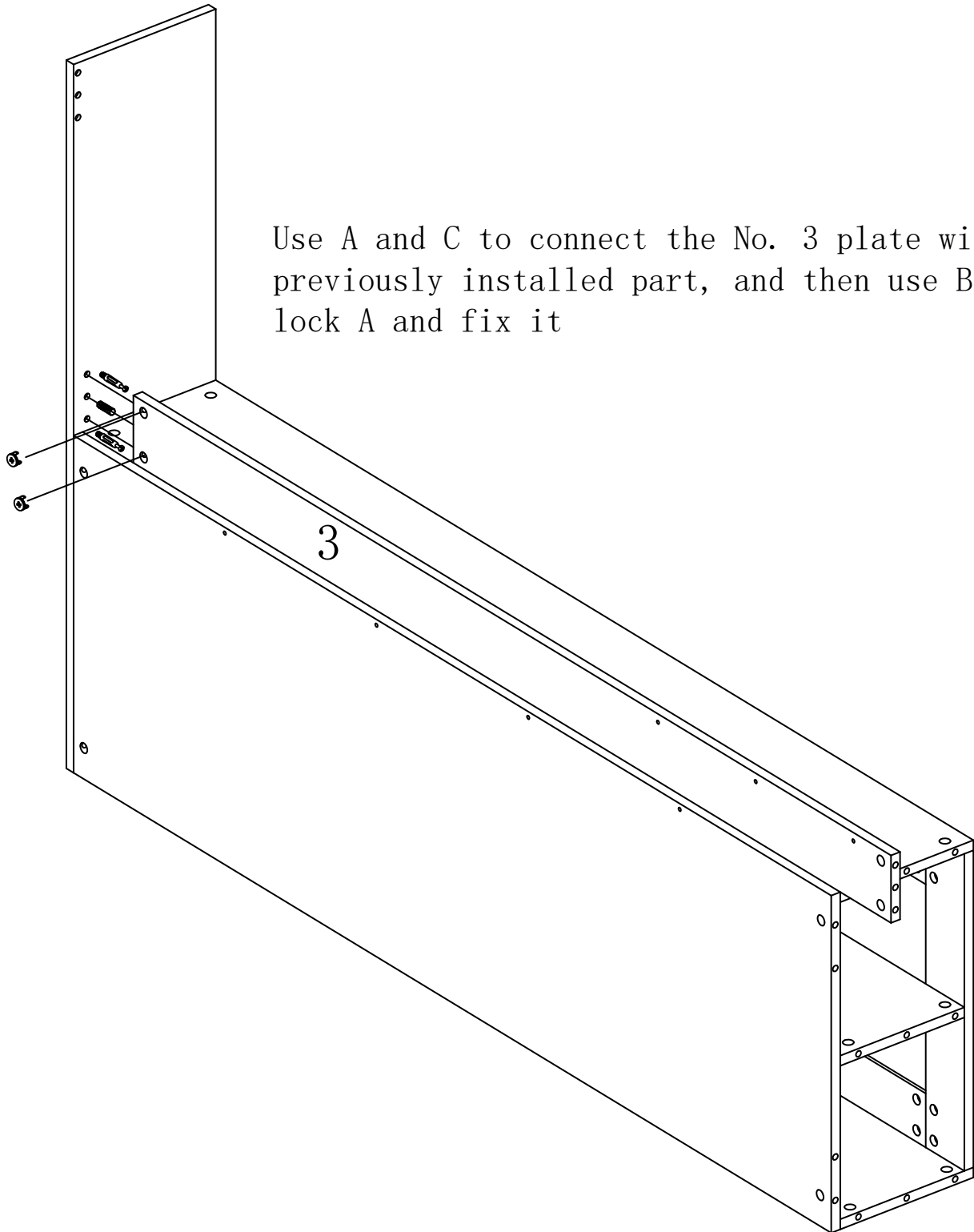


15*11.5mm ×2

C

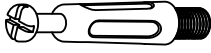




3.5*40mm ×1

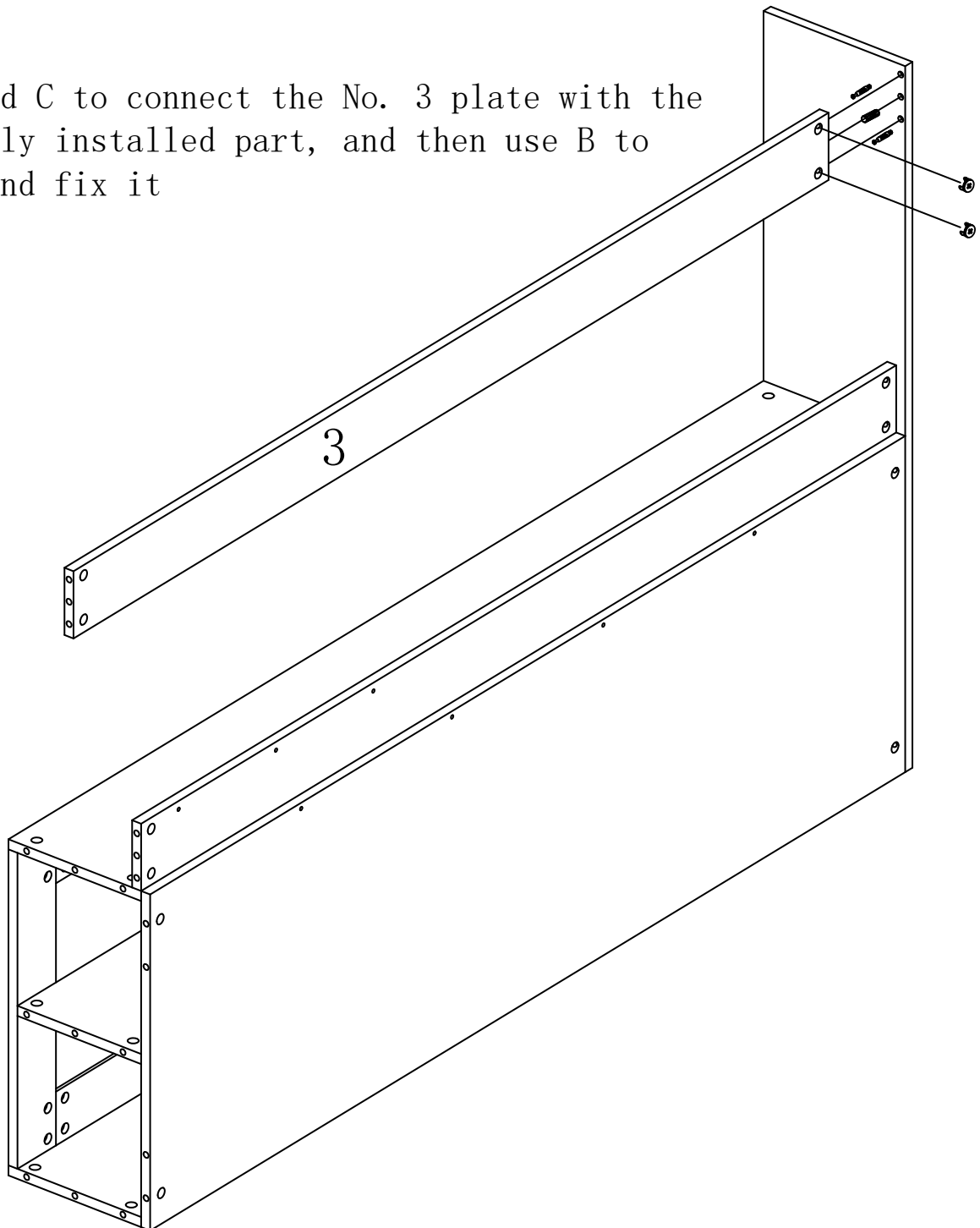


Use A and C to connect the No. 3 plate with the previously installed part, and then use B to lock A and fix it

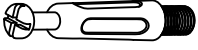

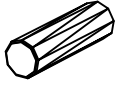
installation drawing 7

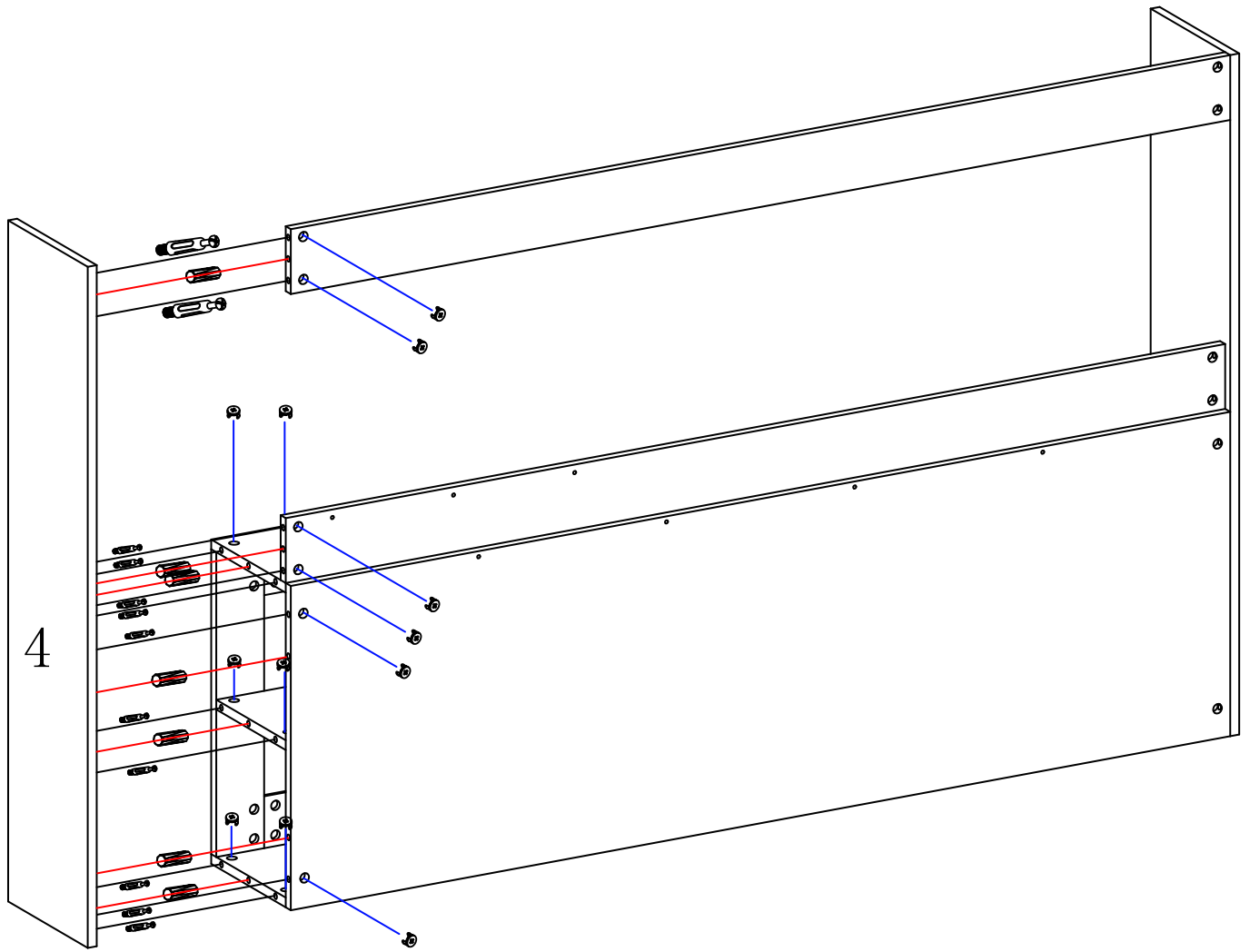
A  3.5*40mm ×2	B  15*11.5mm ×2	C  3.5*40mm ×1
---	--	---

Use A and C to connect the No. 3 plate with the previously installed part, and then use B to lock A and fix it



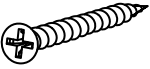

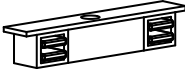

installation drawing 8

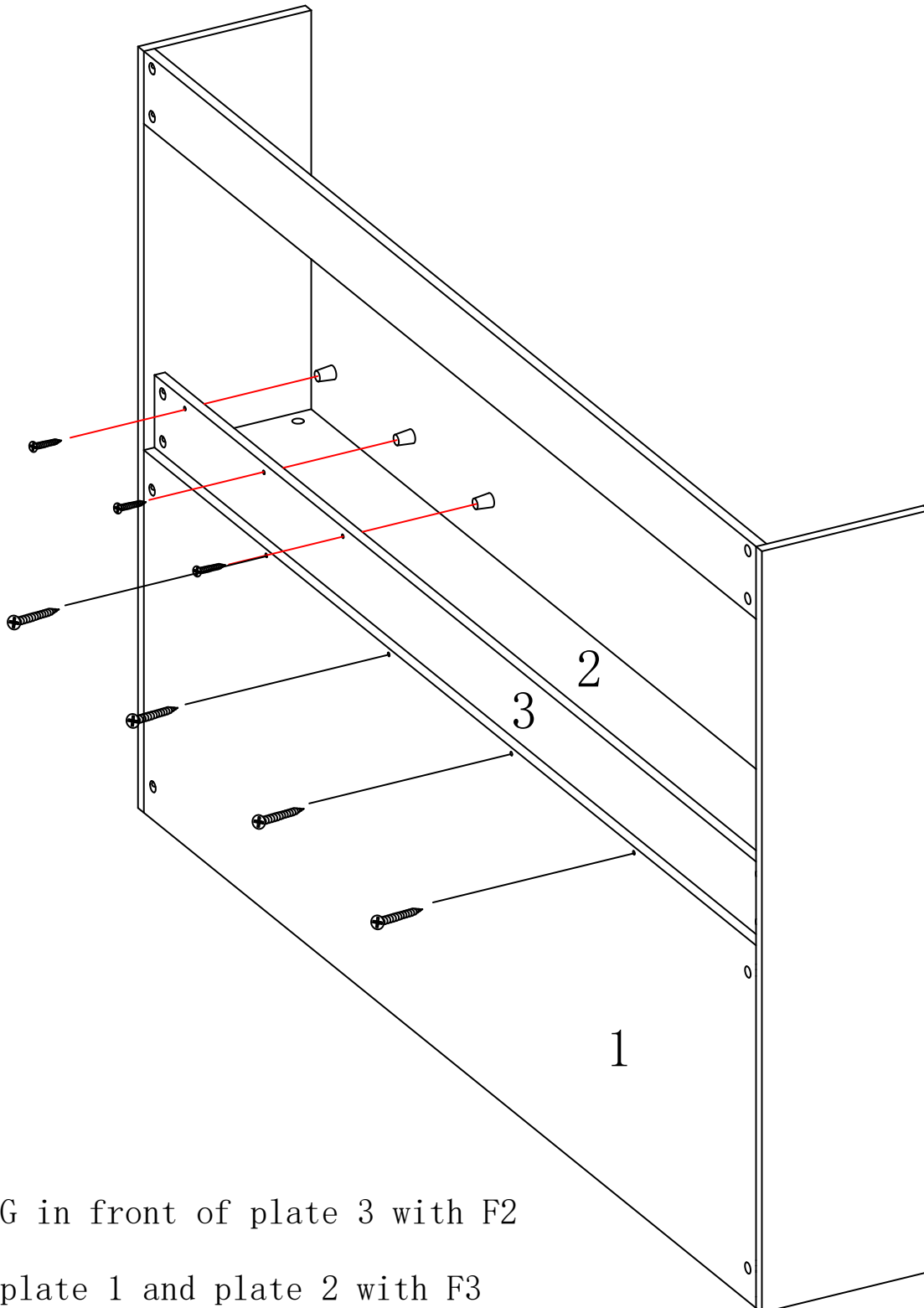
A  3.5*40mm ×12	B  15*11.5mm ×12	C  3.5*40mm ×7
--	---	---



Use A and C to connect the No. 4 plate with the previously installed part, and then use B to lock A for fixation

installation drawing 9

F2  F3:3.5*40mm ×4	G  ×3	I  ×1	K  ×3
---	--	--	--



Fix G in front of plate 3 with F2

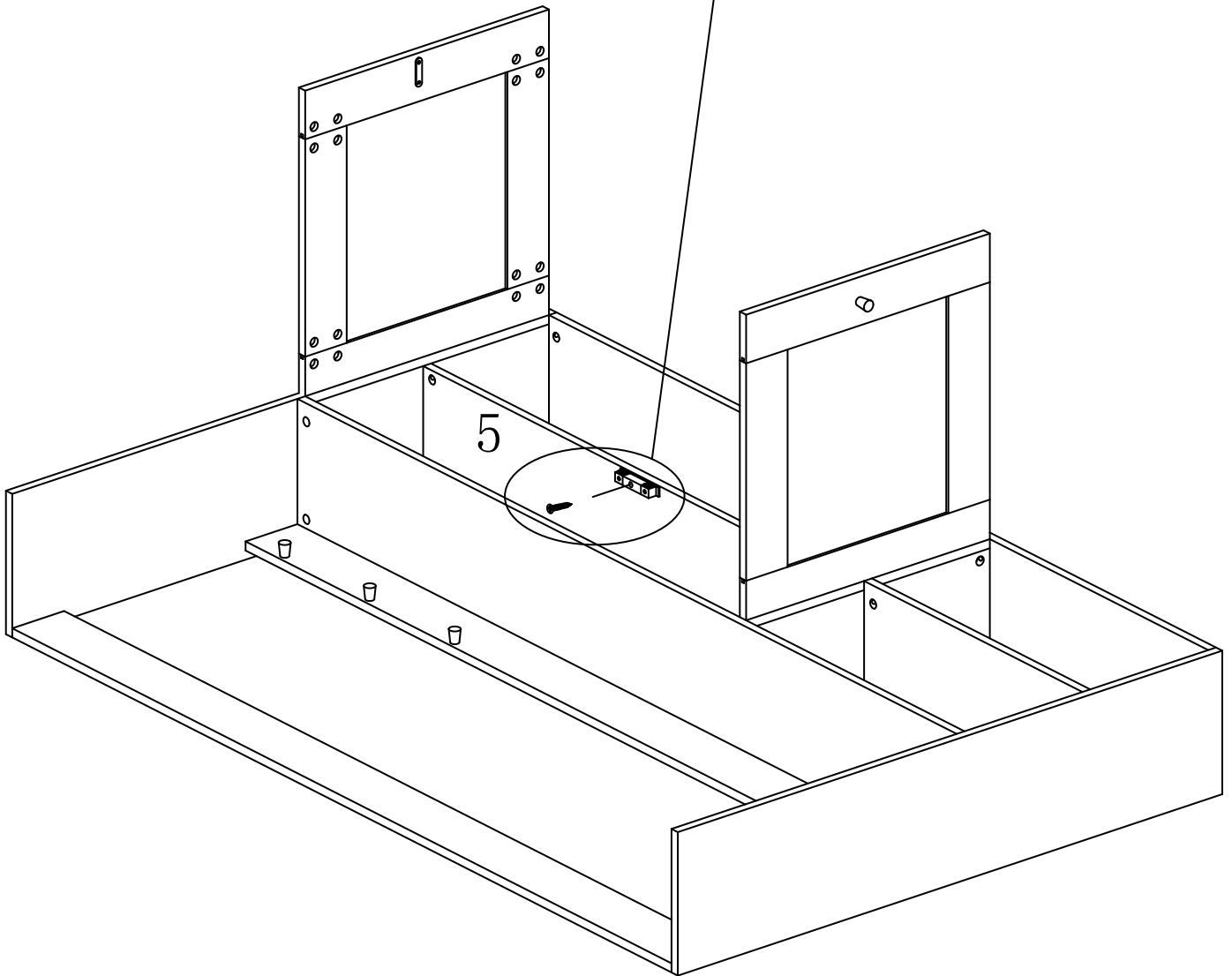
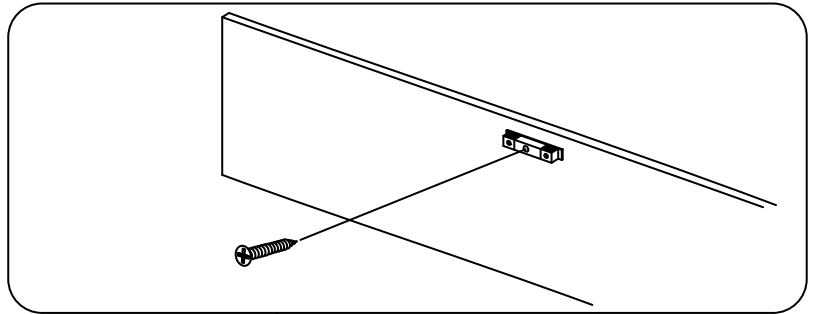
Fix plate 1 and plate 2 with F3

installation drawing 10

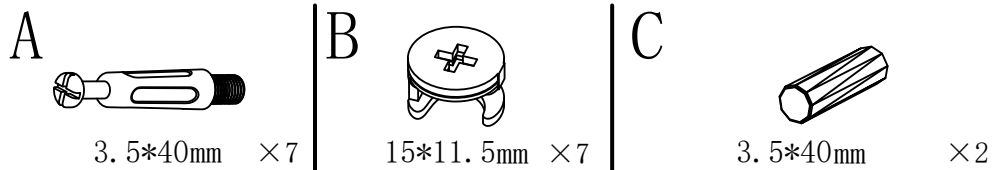
F1



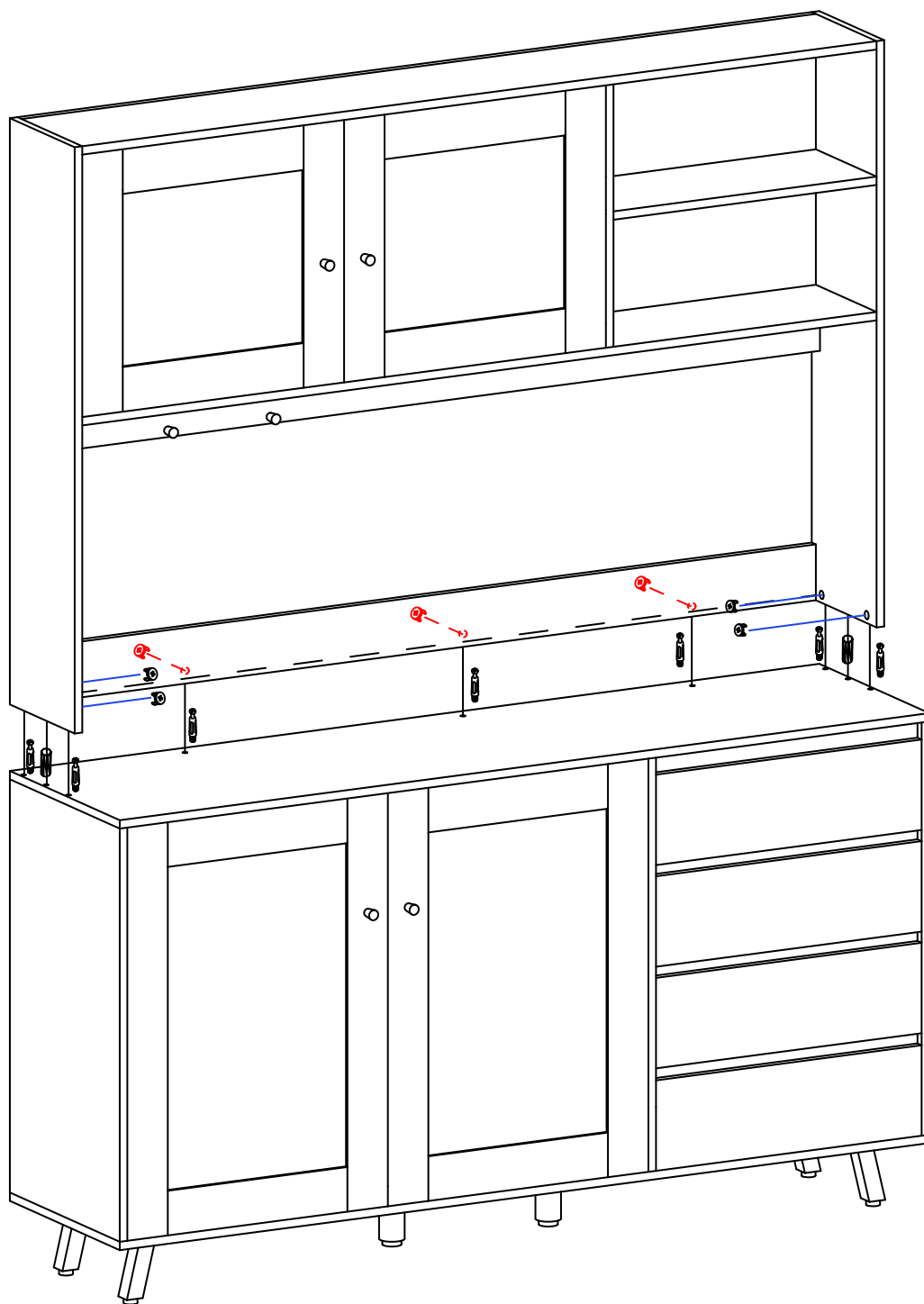
F1:3.5*18mm ×1



Fix I under plate 5 with F1



----- Behind the board



Use A and C to connect the upper part of the cabinet with the lower part, and then use B to lock A and fix it



If you have any questions about the product, please do not hesitate to contact customer service.

5 Star Rating



Visit your local retailer's website, rate your purchased product and leave us some feedback!