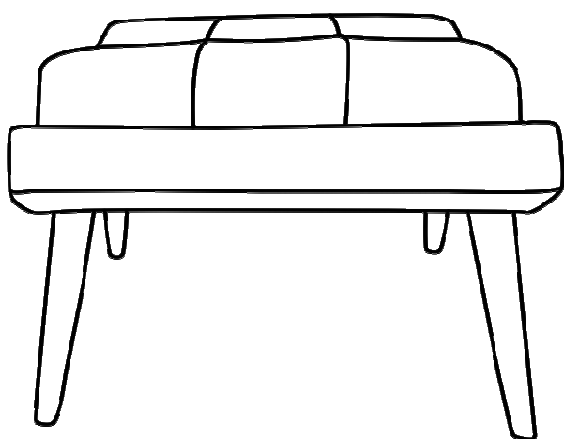


OTTOMAN

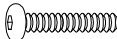



Thank you for purchasing.

Before you start, here is some helpful advice:

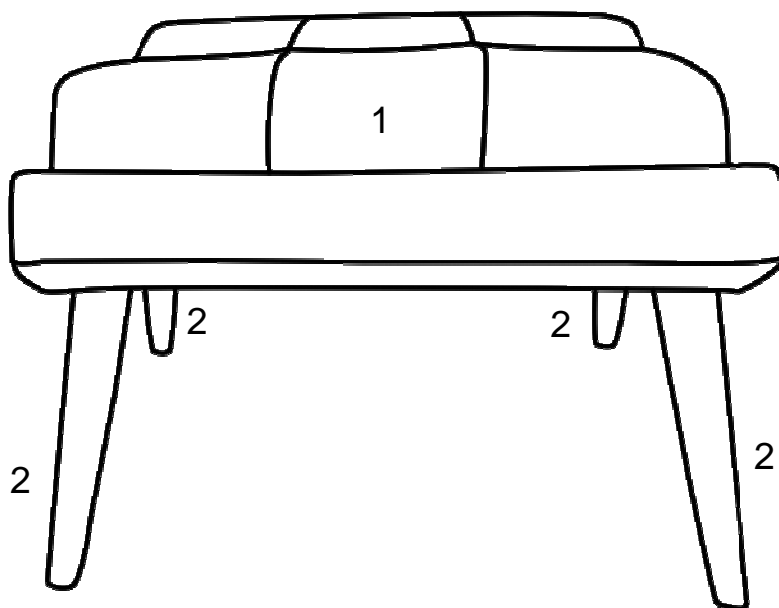
1. We suggest you spend a short time reading through this leaflet and then follow the simple step by step instructions.
2. Owing to the size and weight of the ottoman, we recommend that it is assembled by two adults, on a carpeted or padded area, in the room that it is intended for. Approximate assembly time: 30 minutes.
3. Please do not use any tools other than those provided or recommended in these instructions.
4. Please do not throw away any of the packaging or instructions until you have checked all the components and hardware and the furniture is fully assembled.
5. Assemble all components loosely until advised to tighten. Depending on use, it may be necessary to tighten the components from time to time, so please save the tools that have been provided.
6. Please keep all pieces out of reach of small children.



Hardware:

A		Bolt	x 8
B		Spring Washer	x 8
C		Flat Washer	x 8
D		Allen Wrench	x 1

Component:



1 Ottoman Body x1

2 Leg x4

OTTOMAN

STEP 1:

Please find the package of **Legs (2)** and hardware on the top of the seat.

Then put the **Ottoman Body (1)** upside down on a carpeted or padded area by two adults to make the corners fully visible.

Open Zipper on bottom of the Ottoman Body (1) to make the inside fully visible as shown.

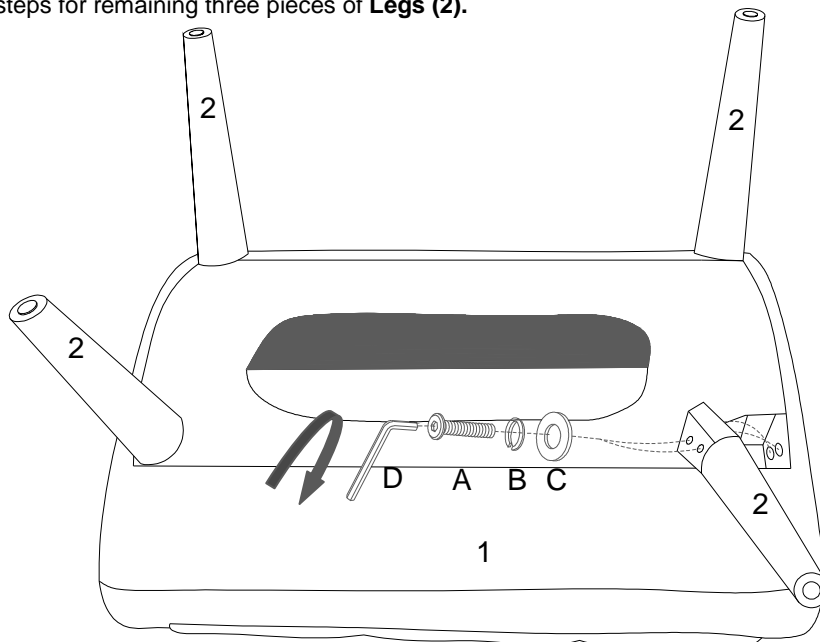
Position one of **Leg (2)** at one of the four wooden corners.

Insert 2 pieces of **Spring Washer (B)** and 2 pieces of **Flat Washer (C)** into 2 pieces of **Bolts (A)** as shown.

Then insert the assembled 2 pieces of **Bolts (A)** through inside of the **Ottoman Body (1)** into the corner to connect the **Leg (2)**.

Use **Allen Wrench (D)** to tighten the **Bolts (A)** clockwise until secure.

Repeat the same steps for remaining three pieces of **Legs (2)**.

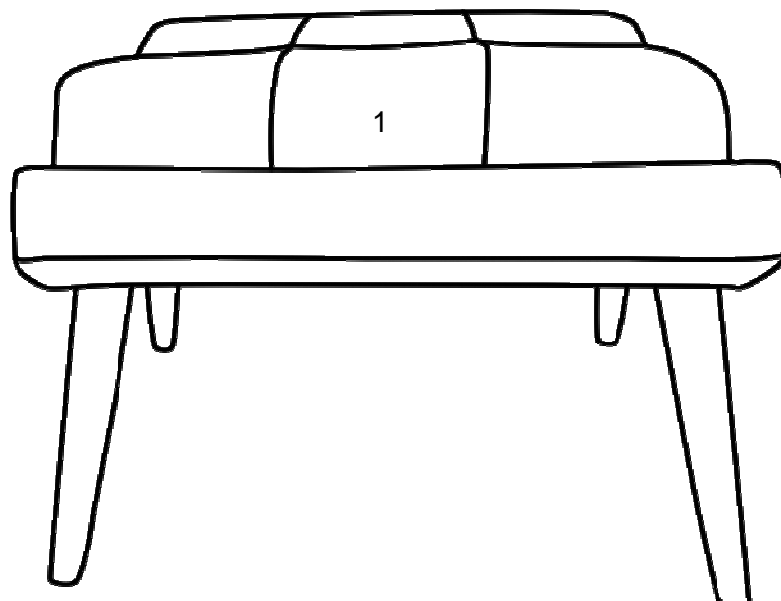


			
Ax8	Bx8	Cx8	Dx1

Hardware & Tool required

STEP 2:

Carefully turn over the assembled **Ottoman Body (1)** as shown.



Assembly is completed. The ottoman is ready to enjoy now!