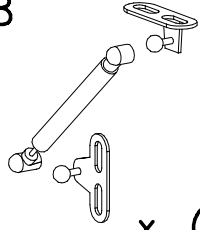
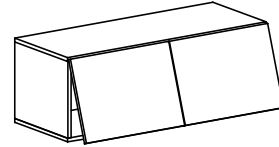


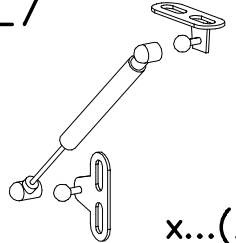
L8



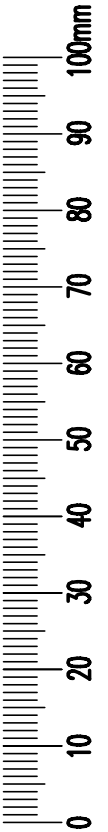
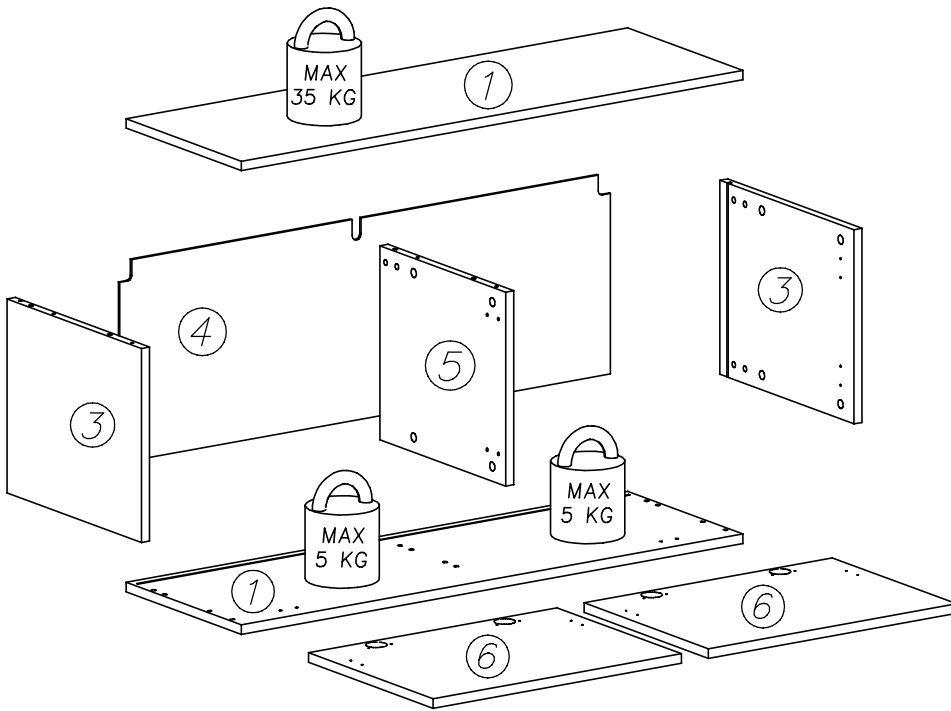
x...(2)



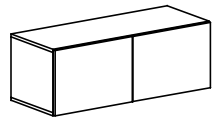
L7



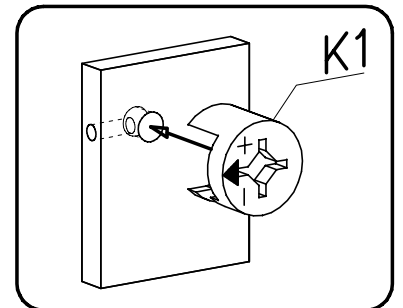
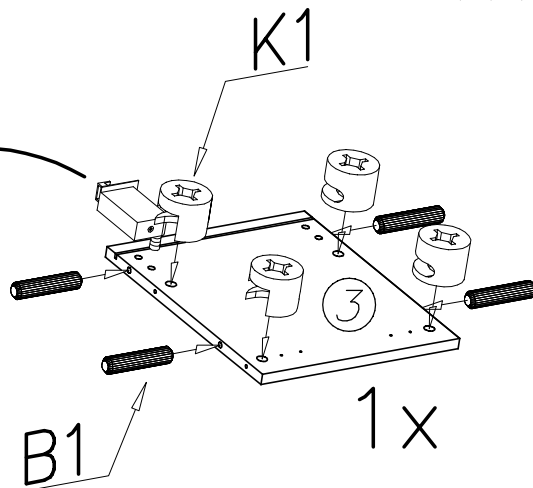
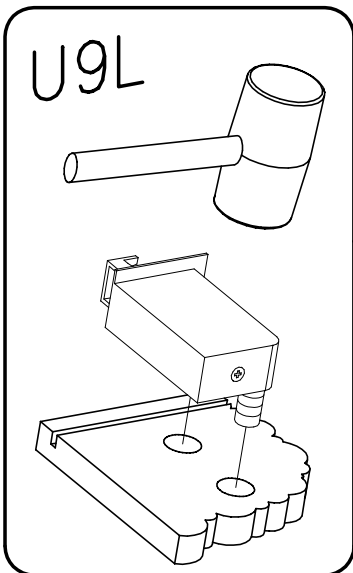
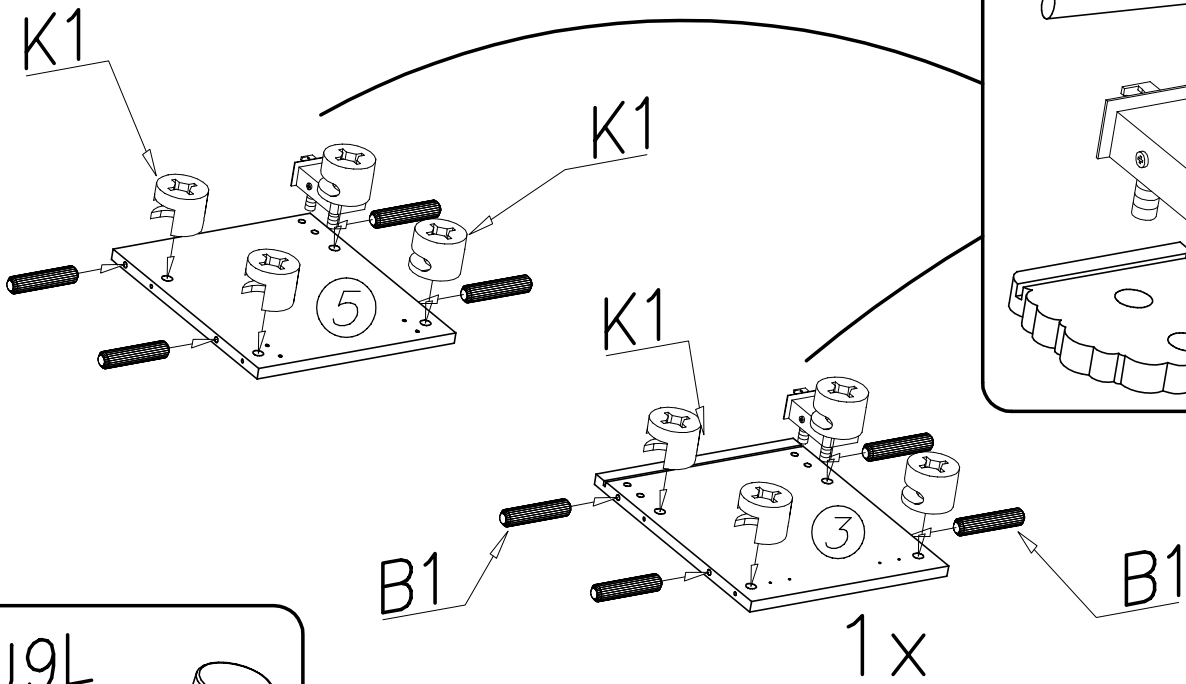
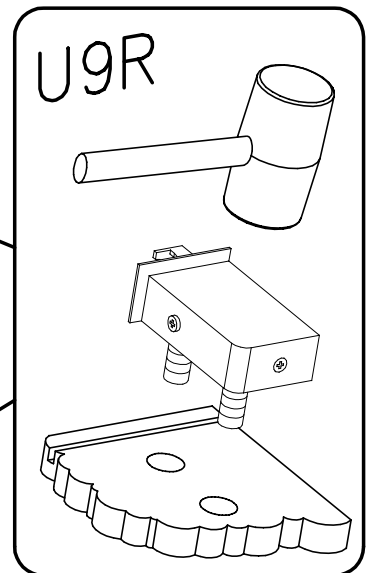
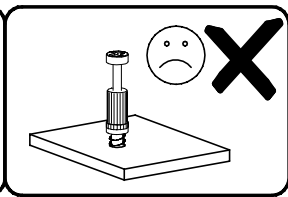
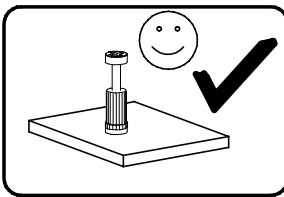
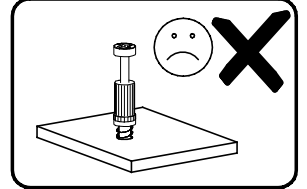
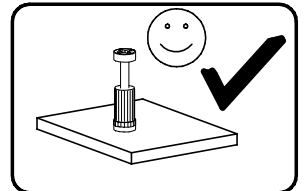
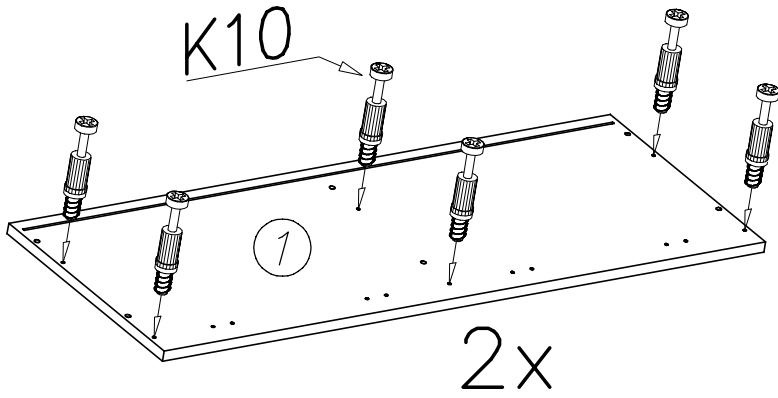
x...(2)

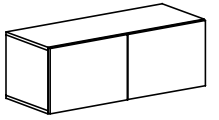


N7 M4x15 x...(2)	G32 3,5x16 x...(16)	I4 ø5 x...(4)	I10 ø10 x...(4)	L13 x...(2)
U9L x...(1)	U9R x...(2)	U10L x...(1)	U10R x...(2)	G57 3,5x16 x...(4)
K1 ø15x12 x...(12)	I7 x...(12)	I1 x...(6)	U7 x...(3)	U8 ø10x60 x...(3)
K10 x...(12)	B1 ø8x35 x...(12)	C3 Z35PR x...(4)	D3 PZ35PR x...(4)	G34 3,5x16 x...(11)

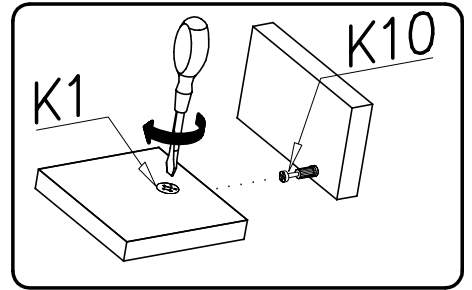
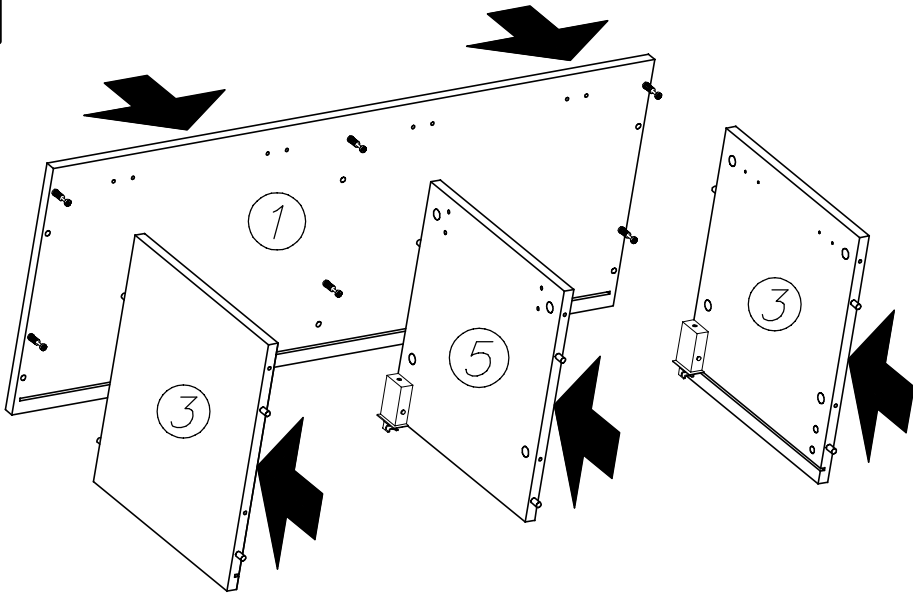


I

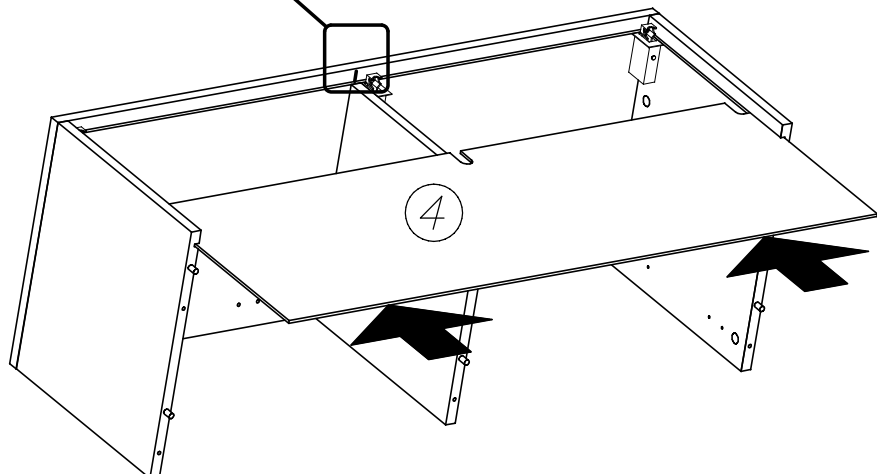
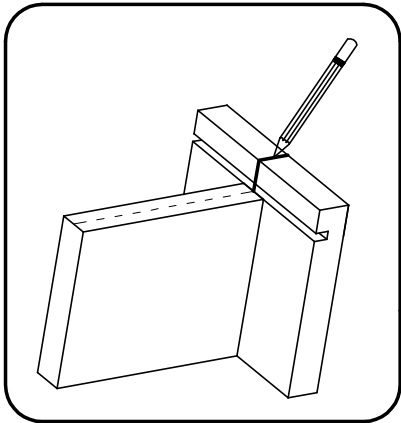


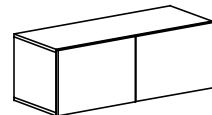


II

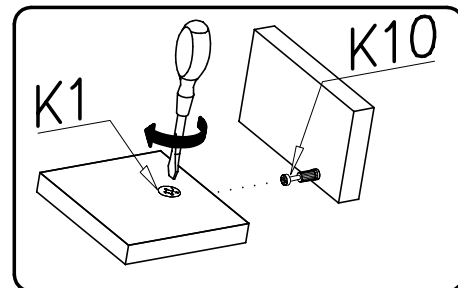
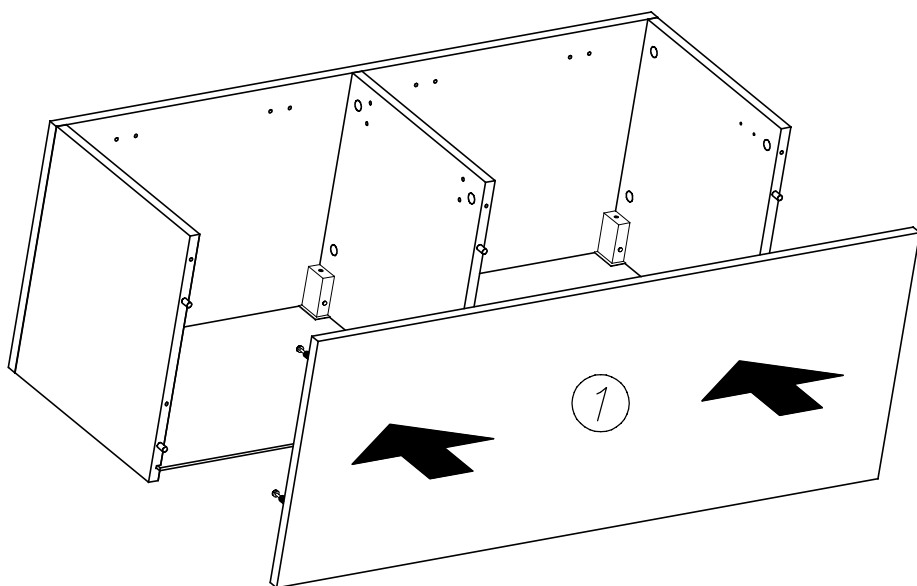


III

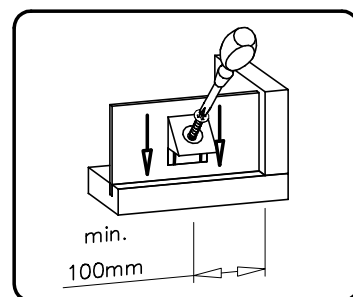
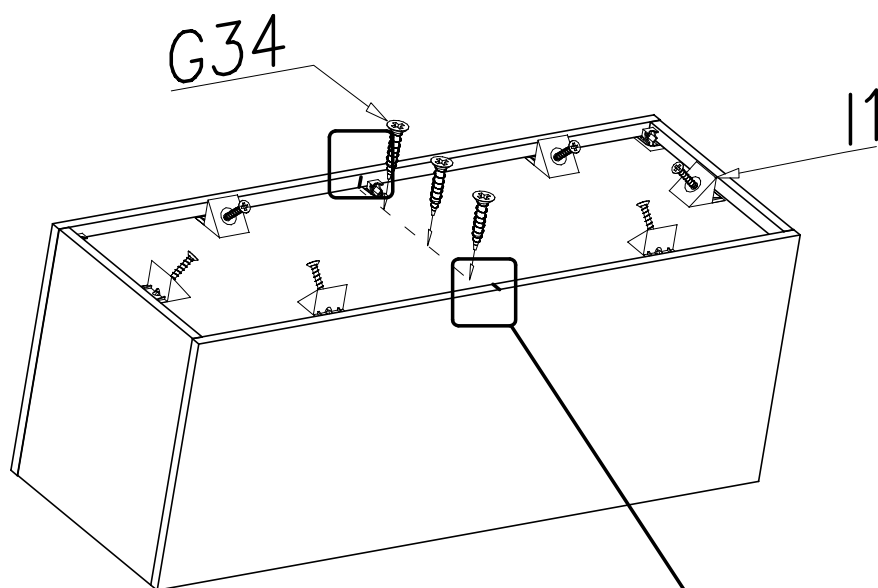




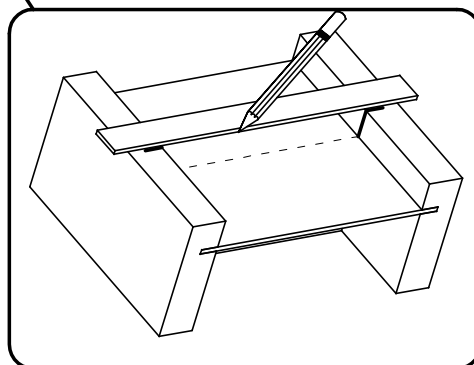
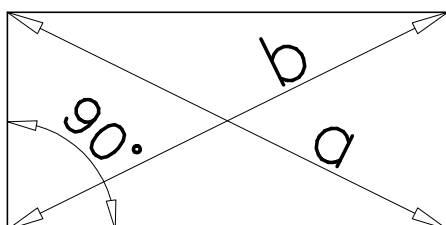
IV

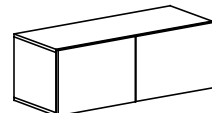


V

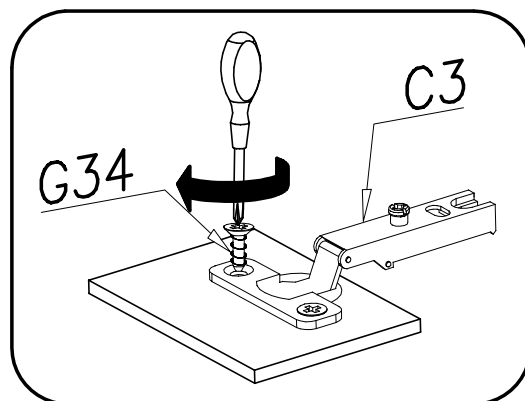
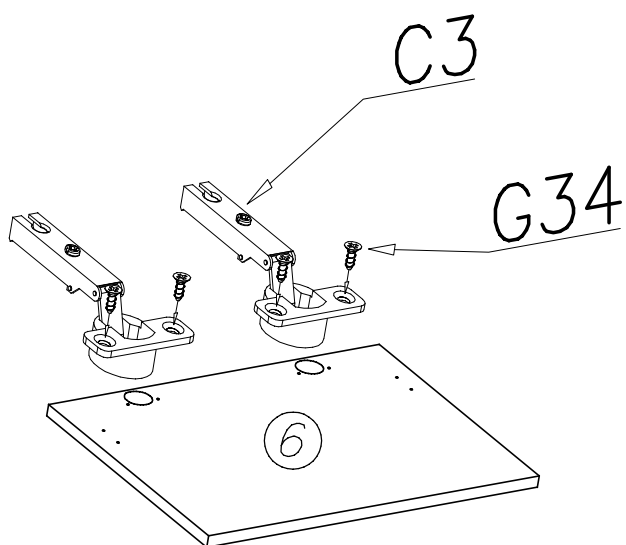


$$a = b$$

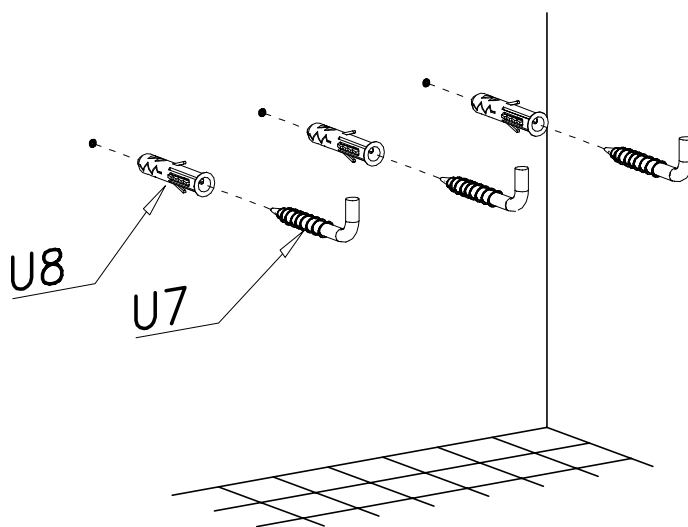
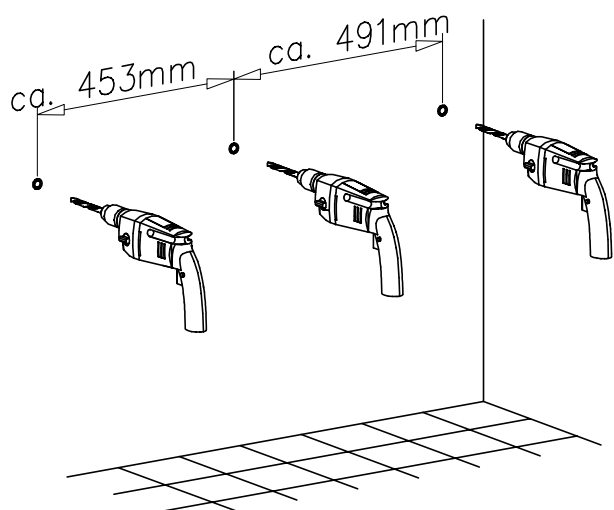
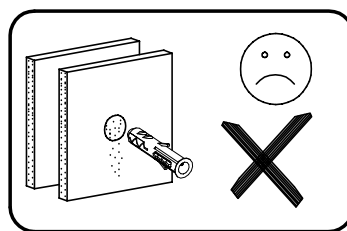
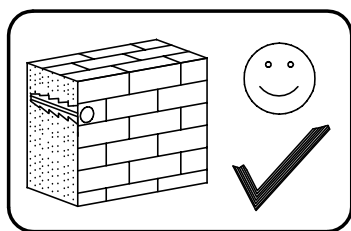


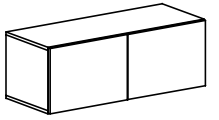


VI

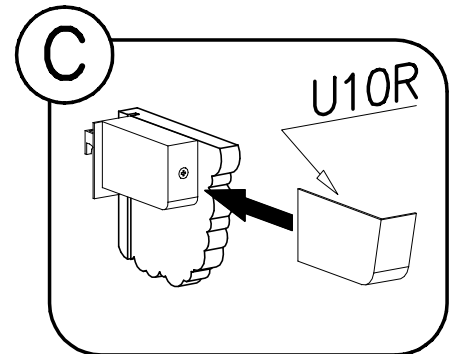
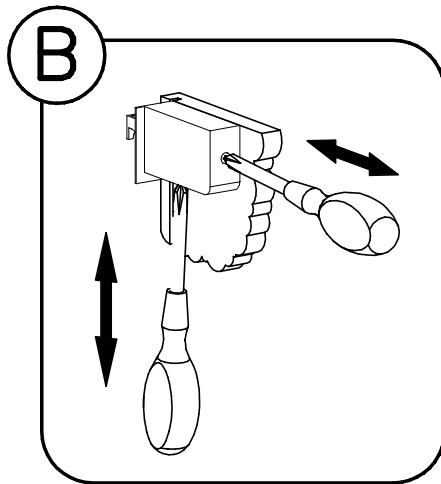
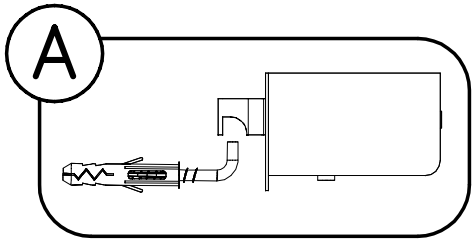
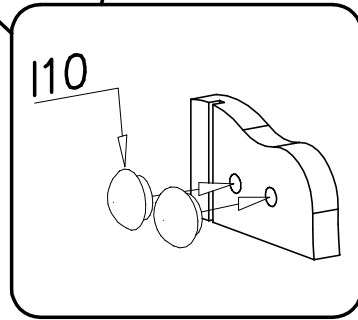
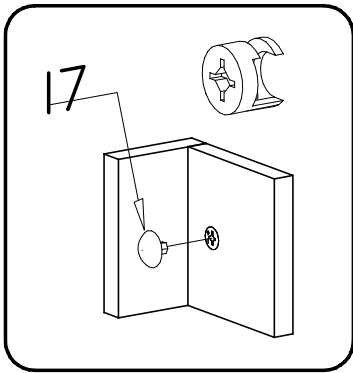
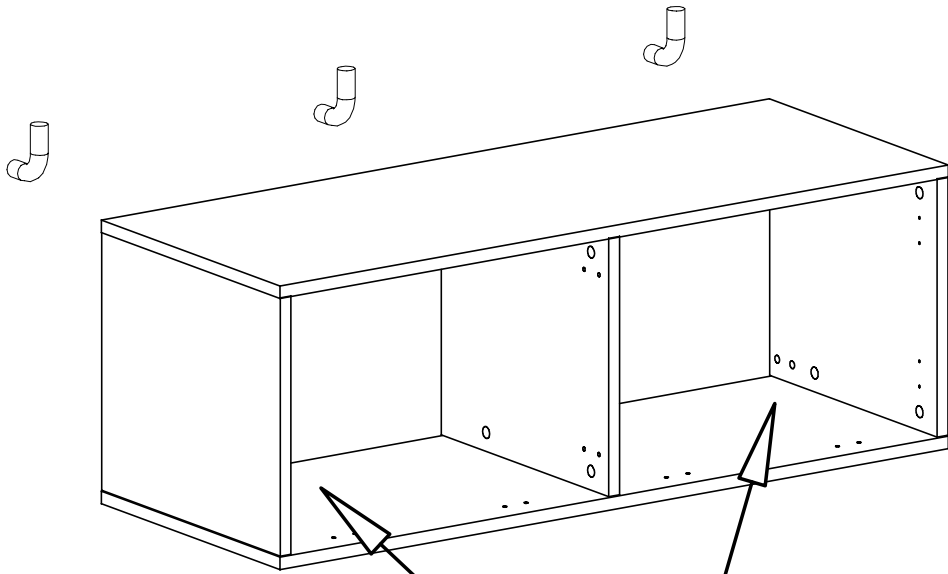


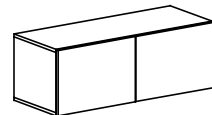
VII



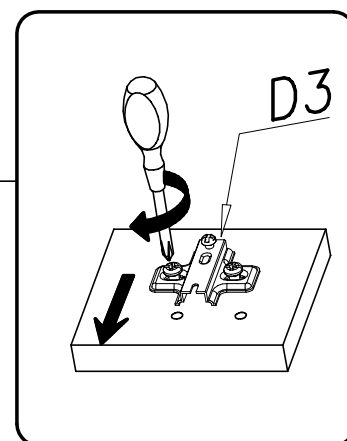
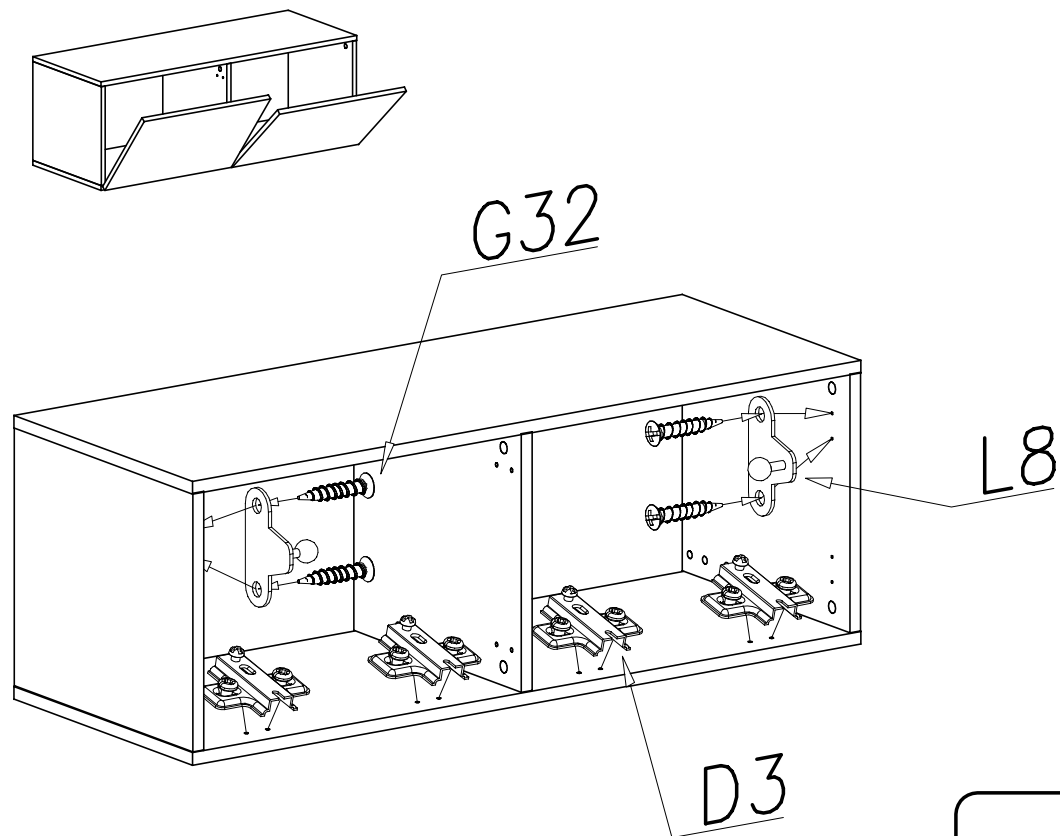


VIII

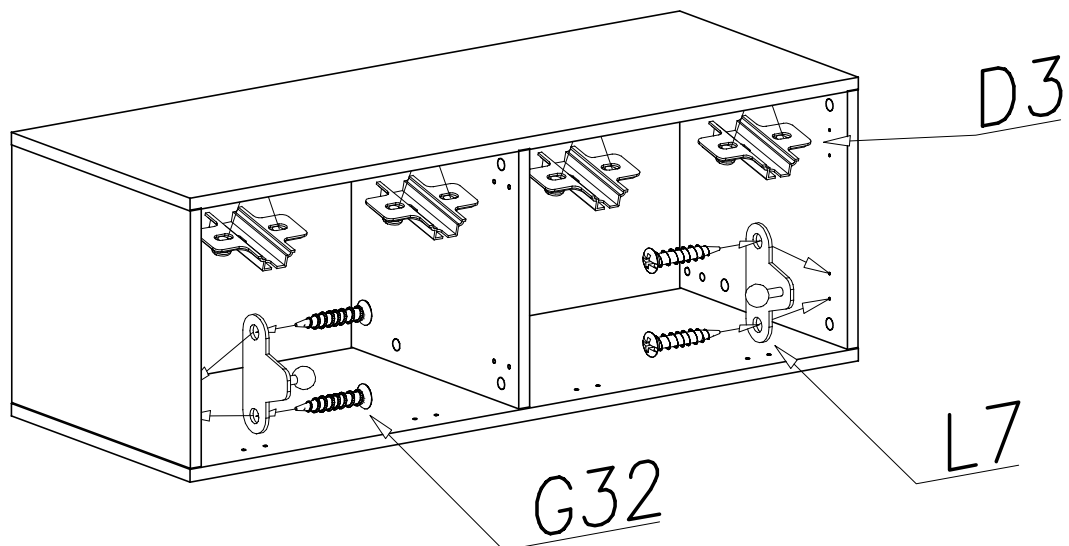
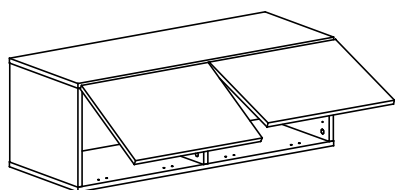


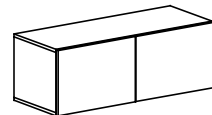


IX

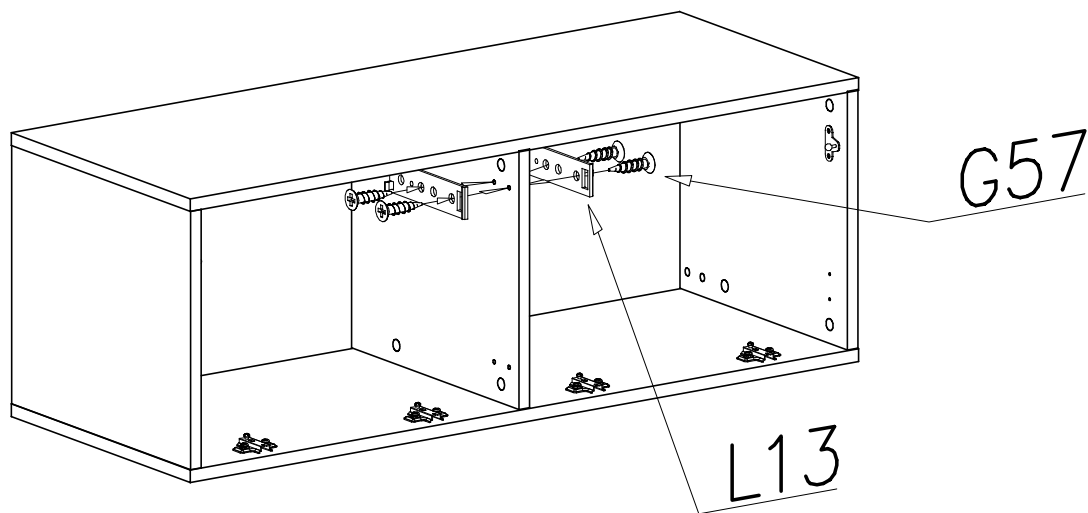
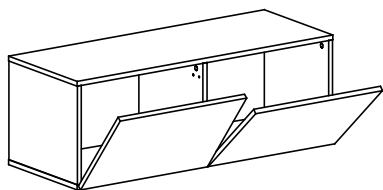


IX

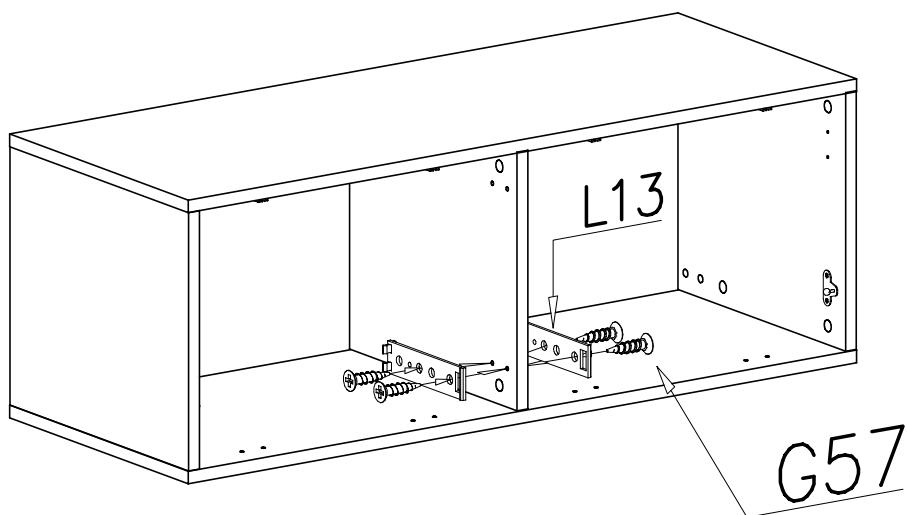
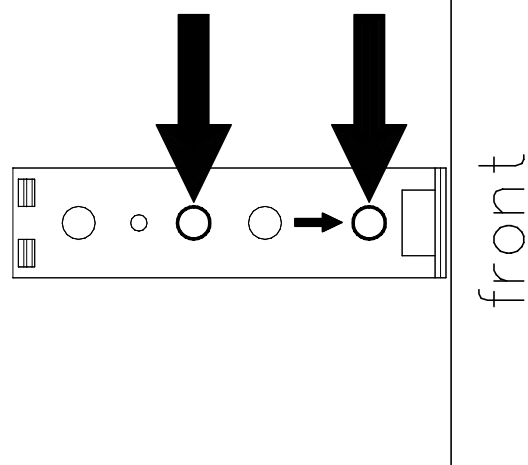
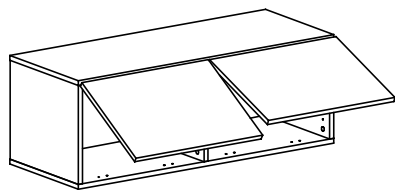


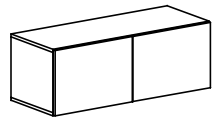


X

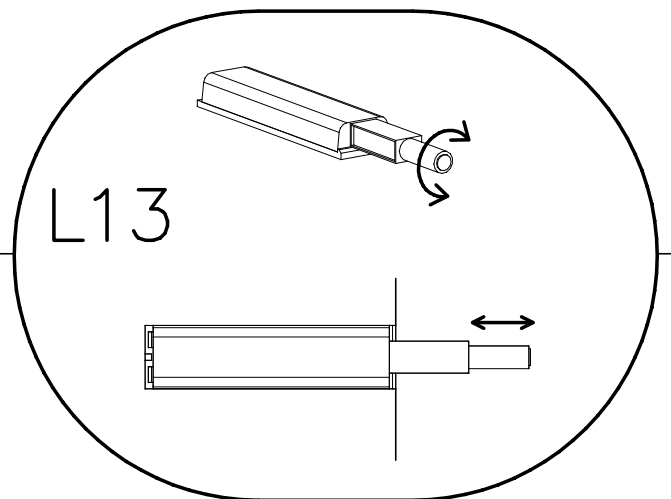
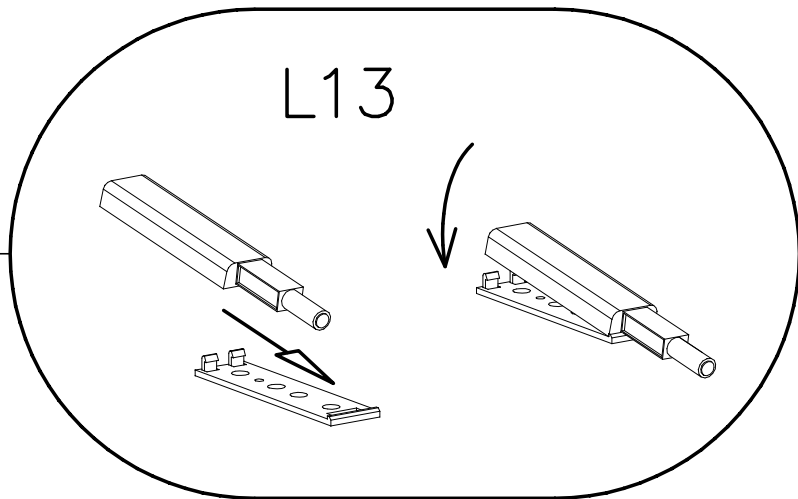
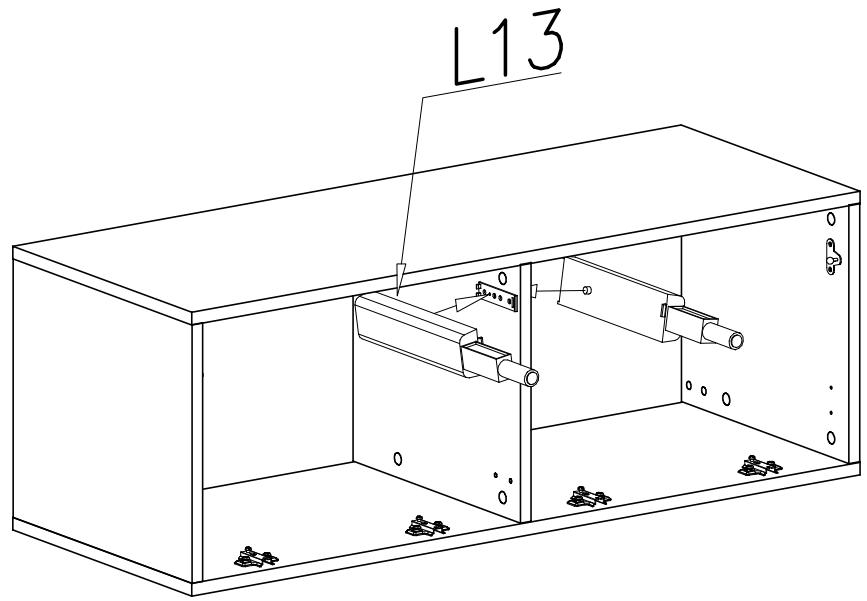
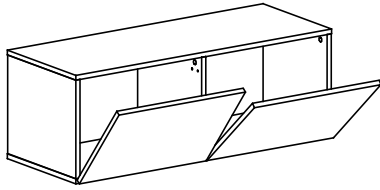


X

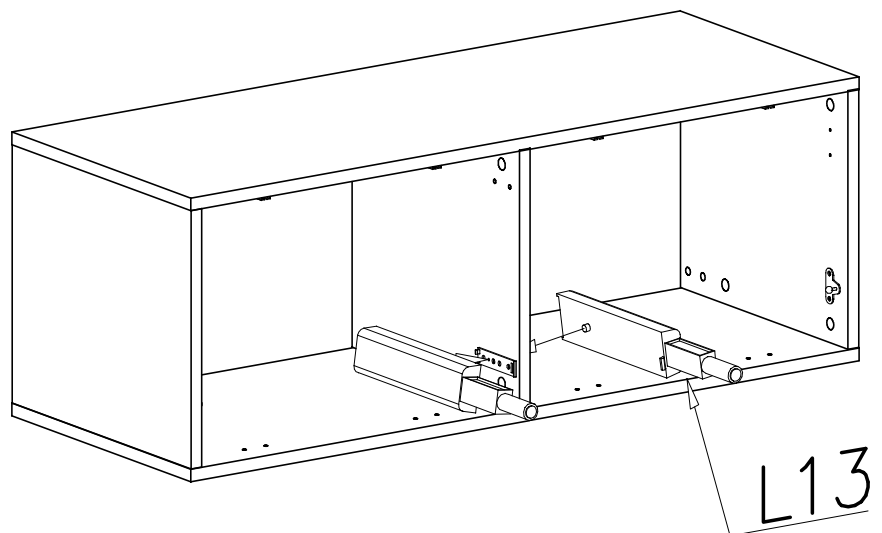
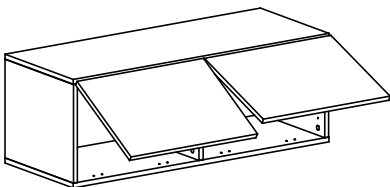


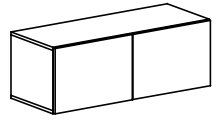


XI

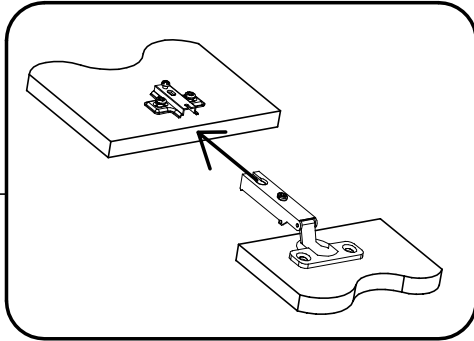
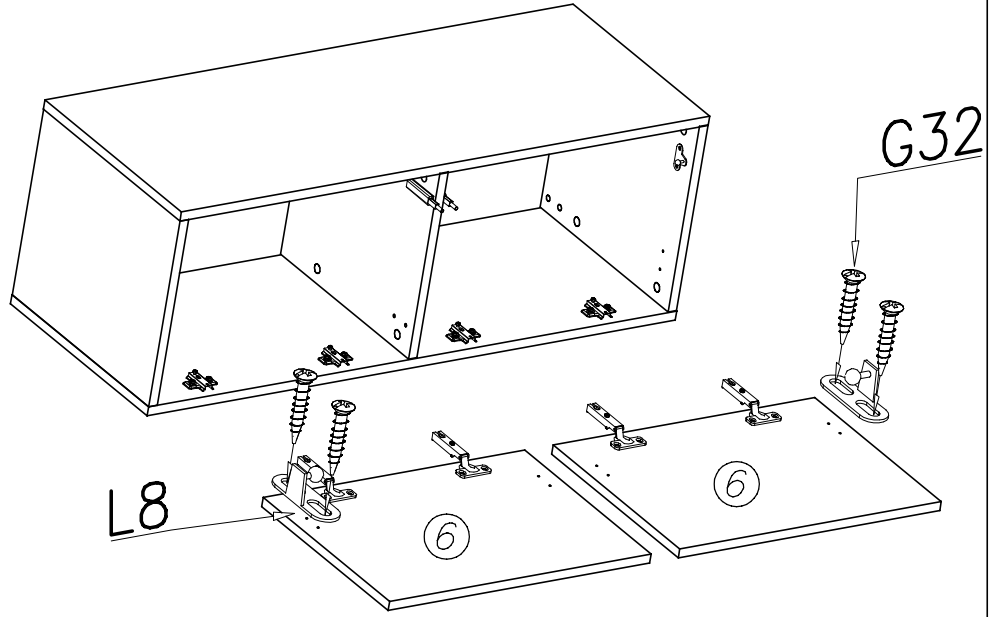
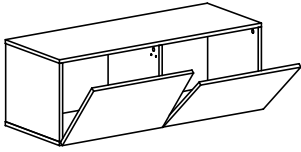


XI

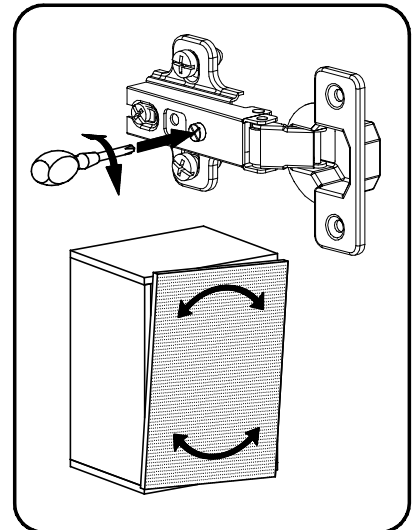
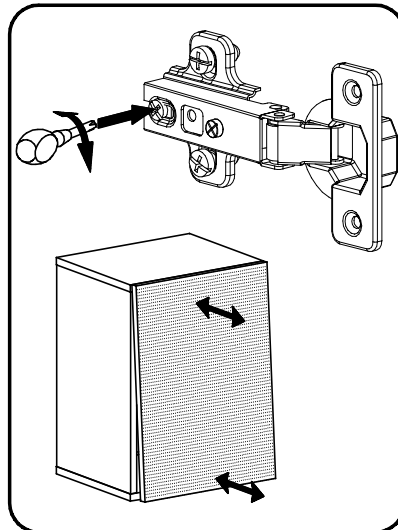
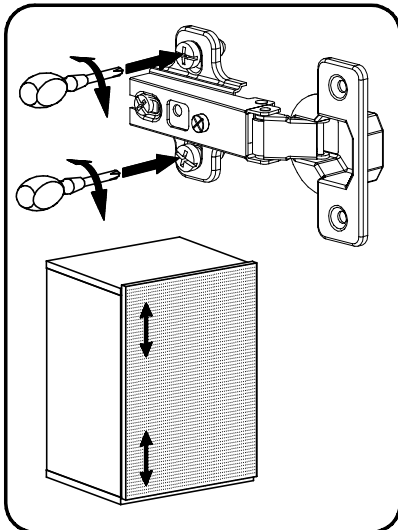
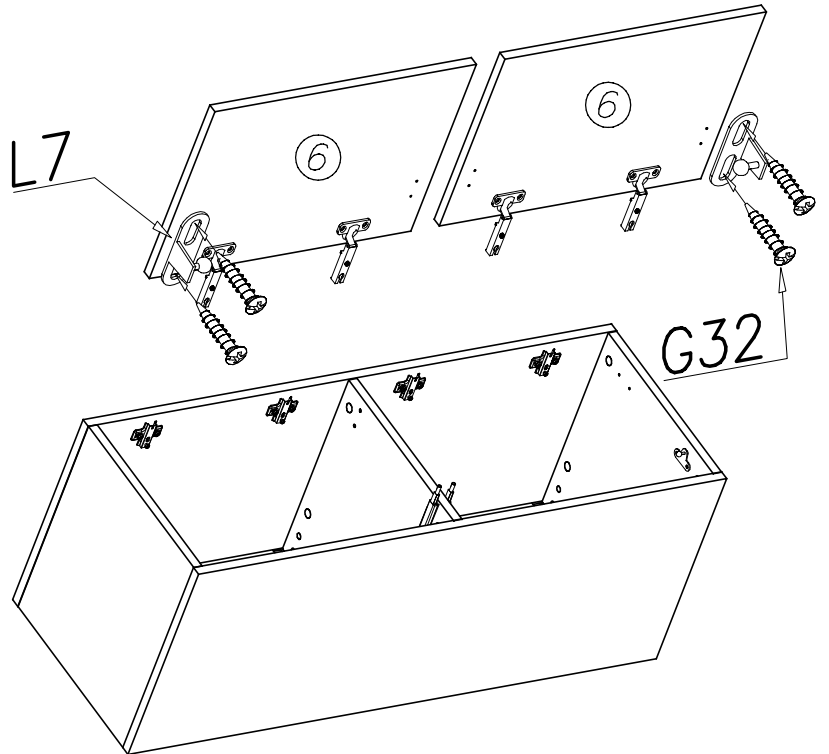
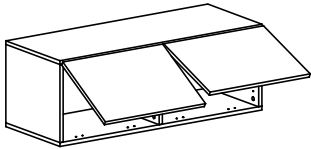


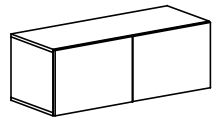


XII

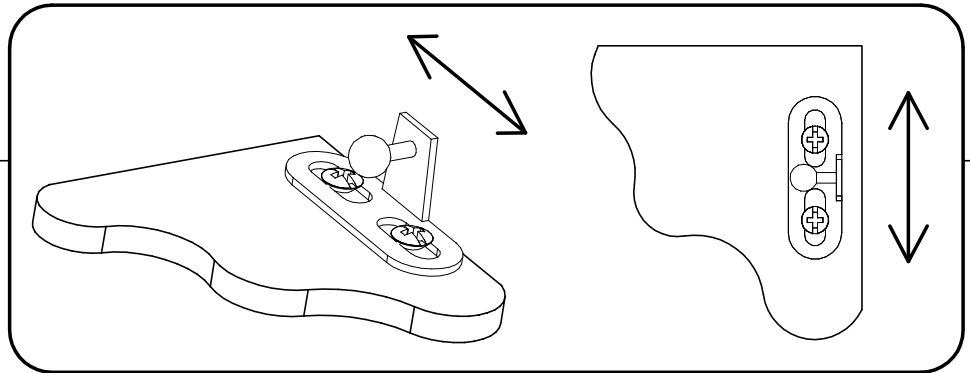
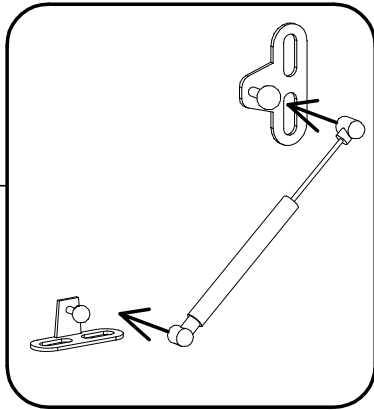
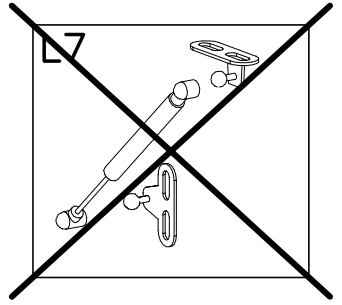
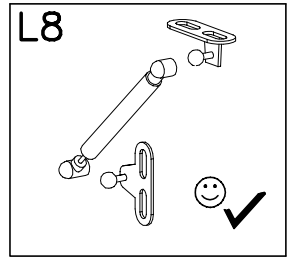
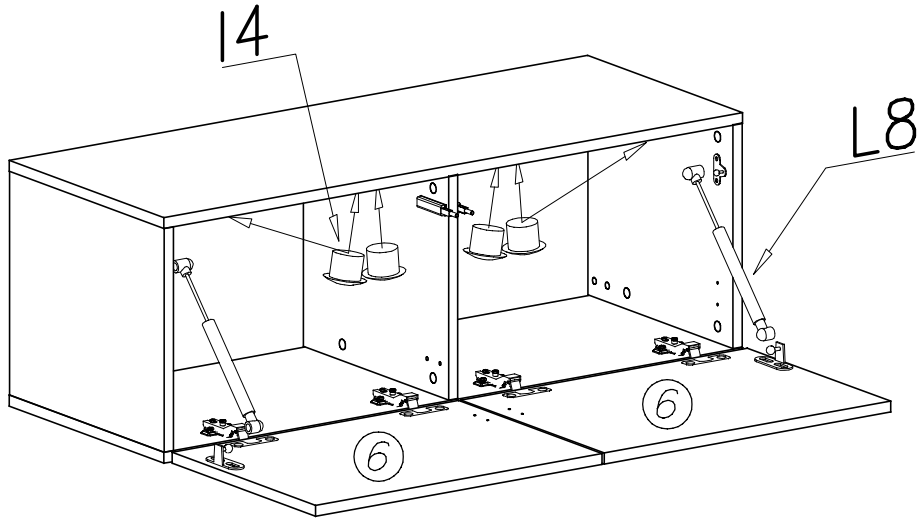
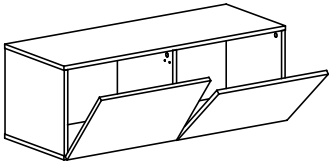


XII

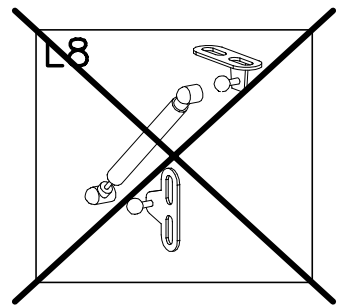
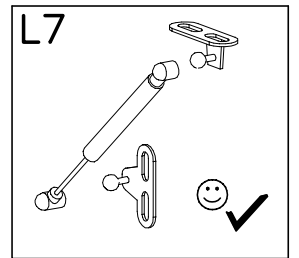
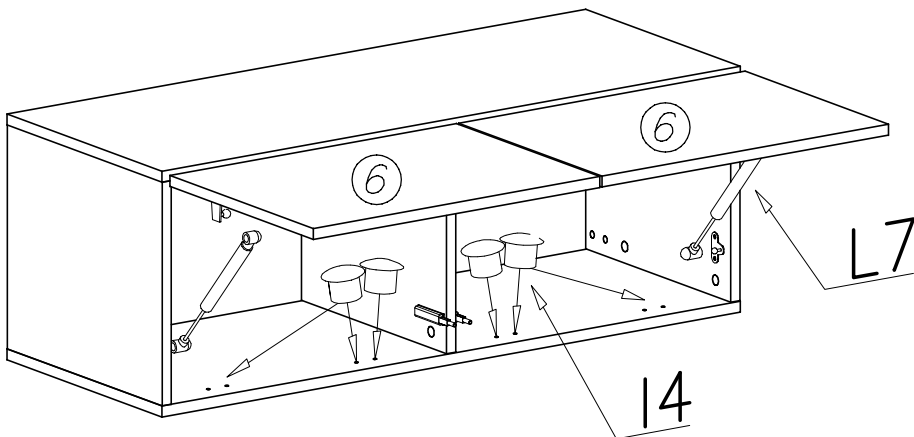
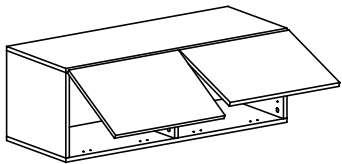


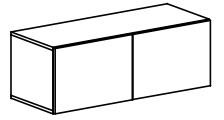


XIII

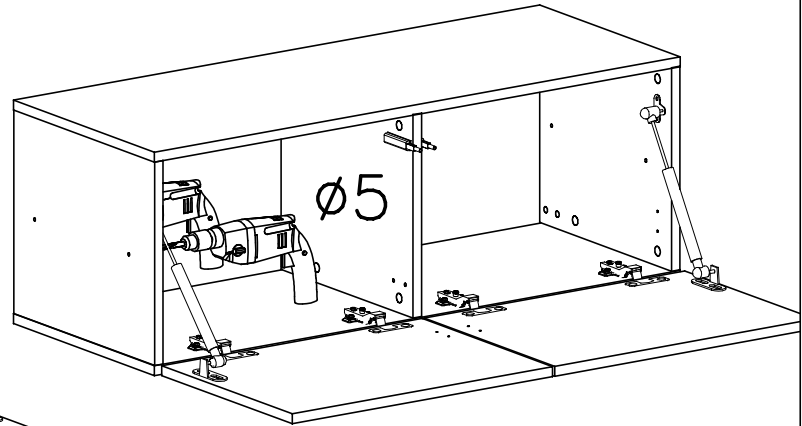
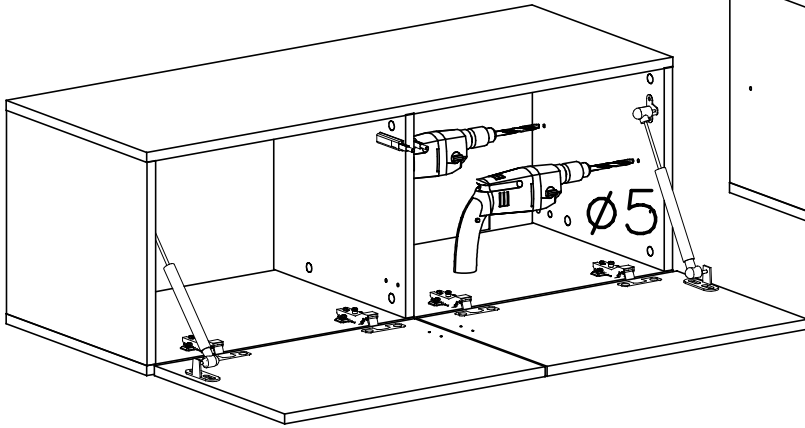
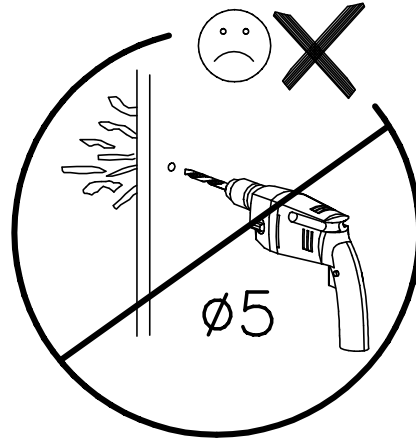
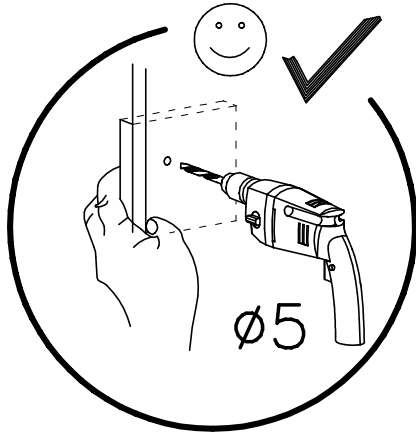


XIII

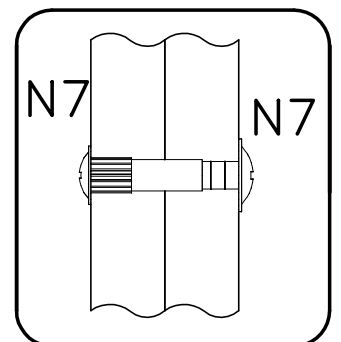
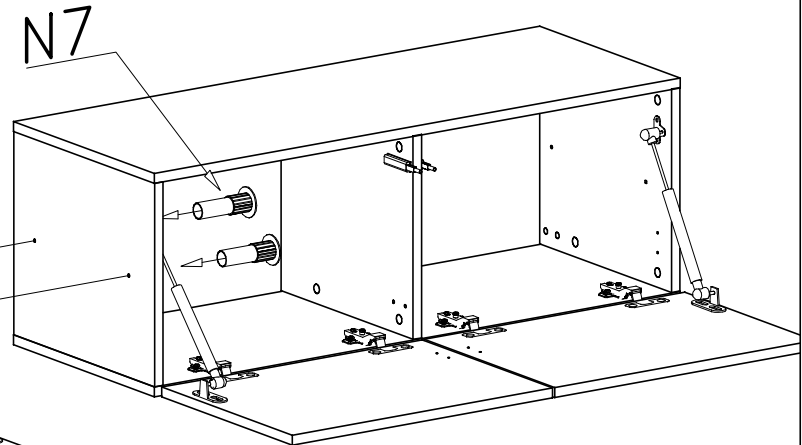
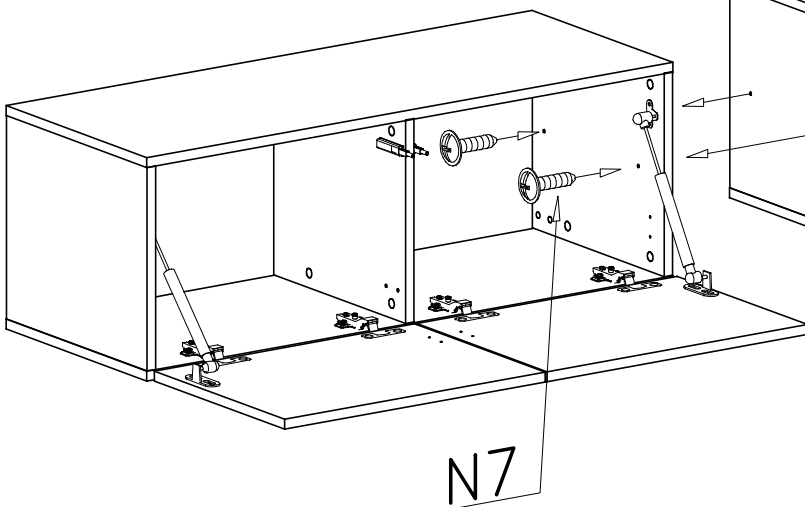


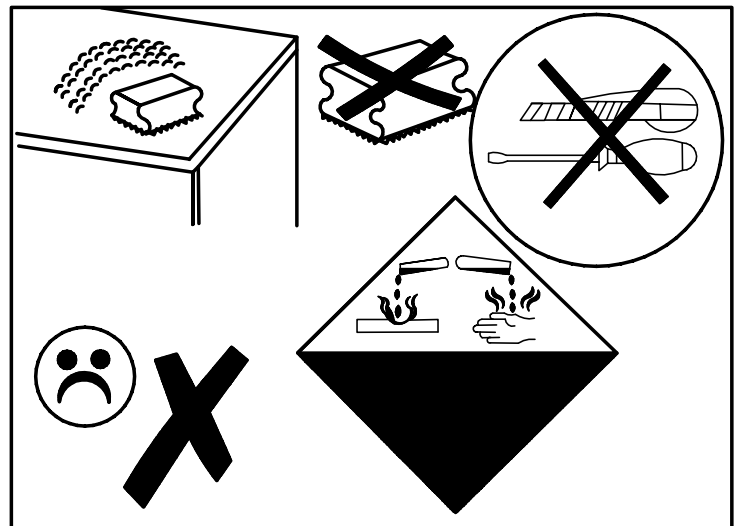
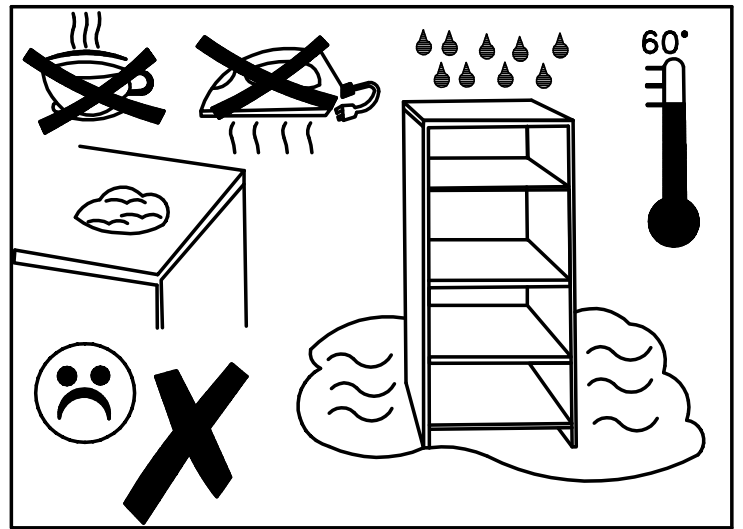
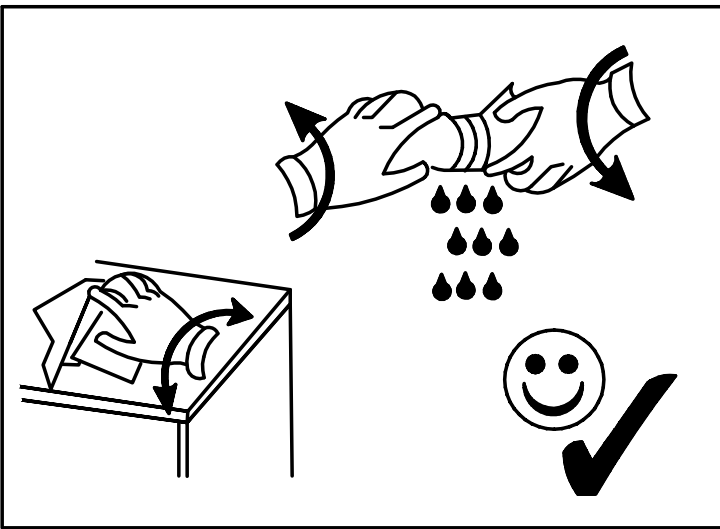
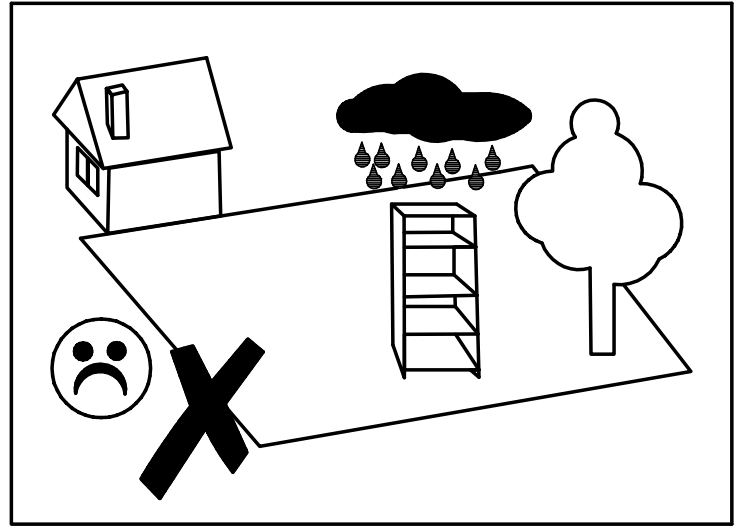
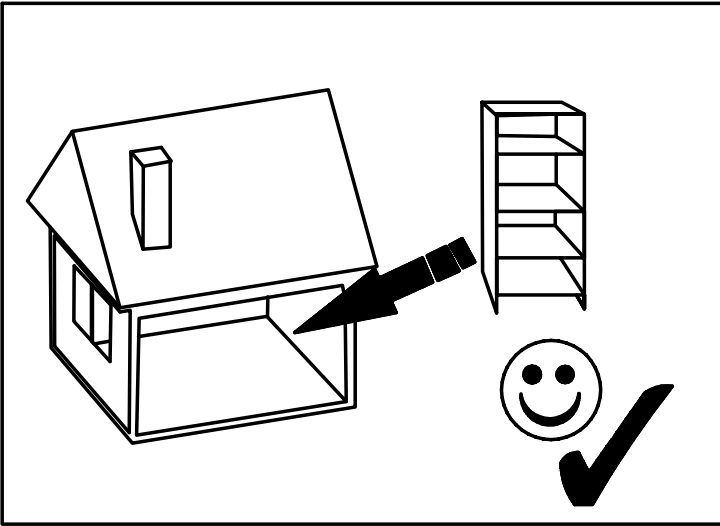


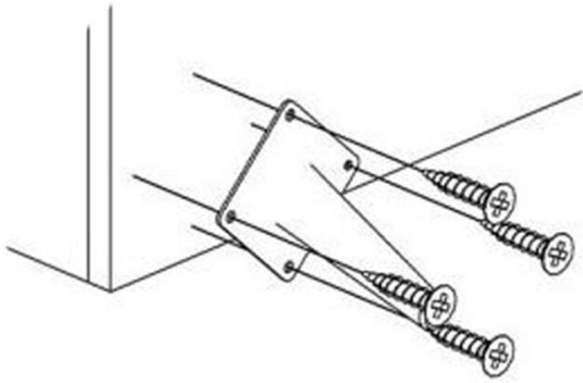
XIV



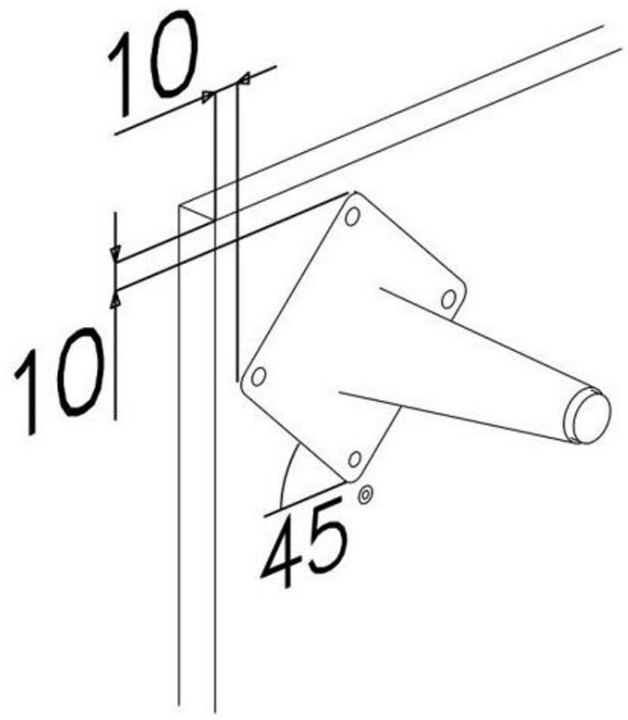
XV







G4



G4 Ver. A
4x16 x...(16)



LEG
x...(4)

