


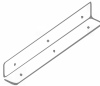
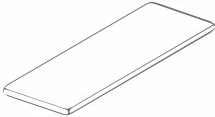
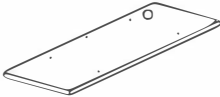
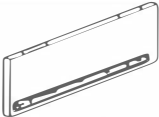
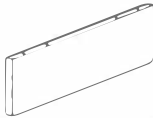

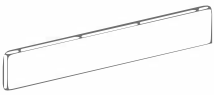
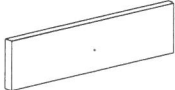
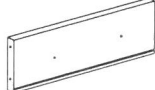
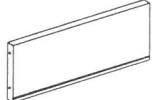
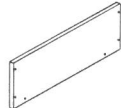
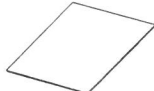



ASSEMBLY INSTRUCTION FOR FURNITURE

Thank you for purchasing this quality product. Be sure to check all packing material carefully for small parts which may have come loose inside the carton during shipment. Separate, identify and count all parts and metal hardware. Compare with parts list to be sure all parts are present. If any part(s) are missing or damaged, please contact your local furniture dealer. For efficient and speedy service, please indicate the model number and code letter of part(s) needed.

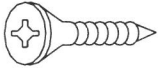

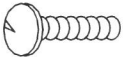
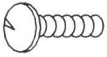
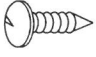

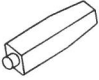
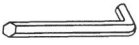
*****Do not fully tighten screws until fully assembled*****

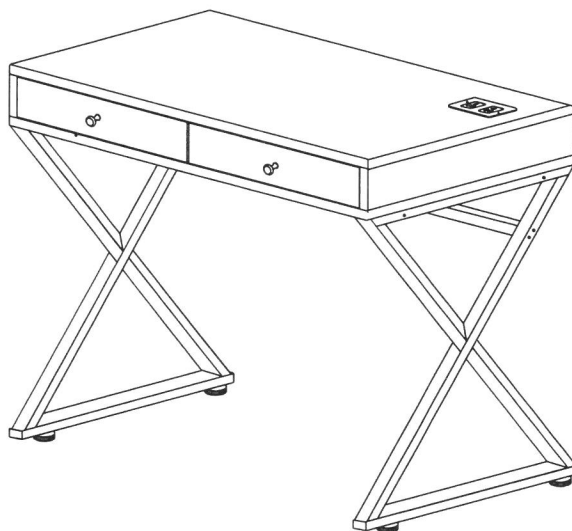
COMPONENT PARTS		
DESCRIPTION	PART NAME	Q'TY (PCS)
①	METAL SIDE PANEL 	2
②	SUPPORT 	2
③	STRETCHER 	1
④	L METAL 	3
⑤	TOP BOARD 	1
⑥	BOTTOM BOARD 	1
⑦	LEFT SIDE PANEL 	1
⑧	RIGHT SIDE PANEL 	1
⑨	MIDDLE PANEL 	1
⑩	BACK PANEL 	1

⑪	DRAWER FRONT(L & R/SET)		1
⑫	DRAWER FRONT BOARD		2
⑬	DRAWER BACK BOARD		2
⑭	DRAWER SIDE BOARD		4
⑮	DRAWER BOTTOM BOARD		2
⑯	USB		1

HARDWARE REQUIRED

①		METAL GLIDE (L & R/SET)		2 PCS
②		LEVELER	M8 x 15mm	4 PCS
③		KNOB		2 PCS
④		WOOD DOWEL	30mm	22 PCS
⑤		BOLT	1/4" x 63mm	8 PCS
⑥		BOLT	1/4" x 30mm	4 PCS
⑦		SCREW	38mm	6 PCS

(H)		SCREW	25mm	16 PCS
(I)		SCREW	12mm	14 PCS
(J)		BOLT	21mm	4 PCS
(K)		BOLT	19mm	2 PCS
(L)		SCREW	12mm	18 PCS
(M)		CAP	11mm	8 PCS
(N)		GLUE		1 PC
(O)		ALLEN KEY	1/4"	1 PC



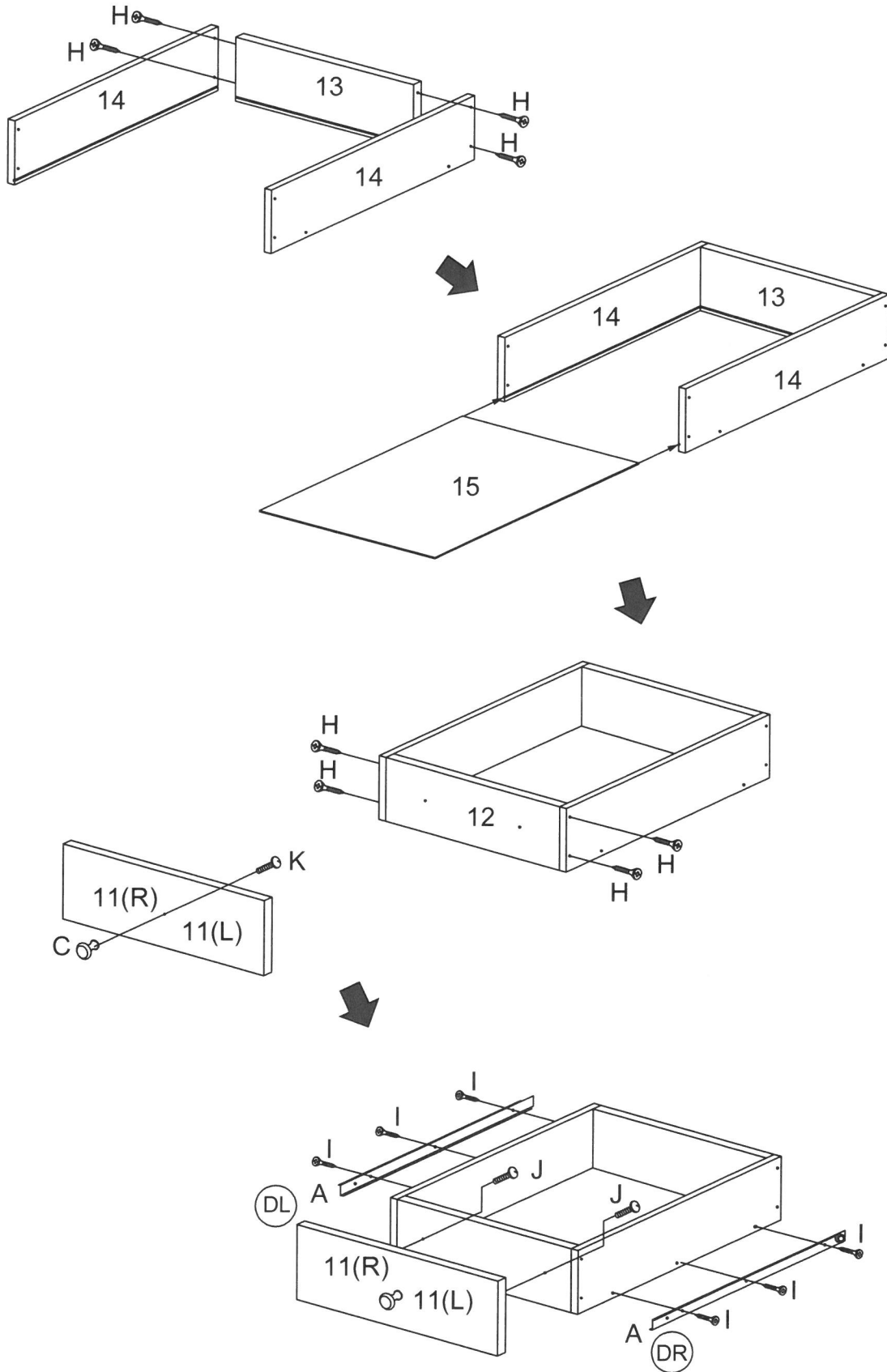
Attention

***Some number parts listed on the instruction sheet may not be in parts bag as they may be assembled.

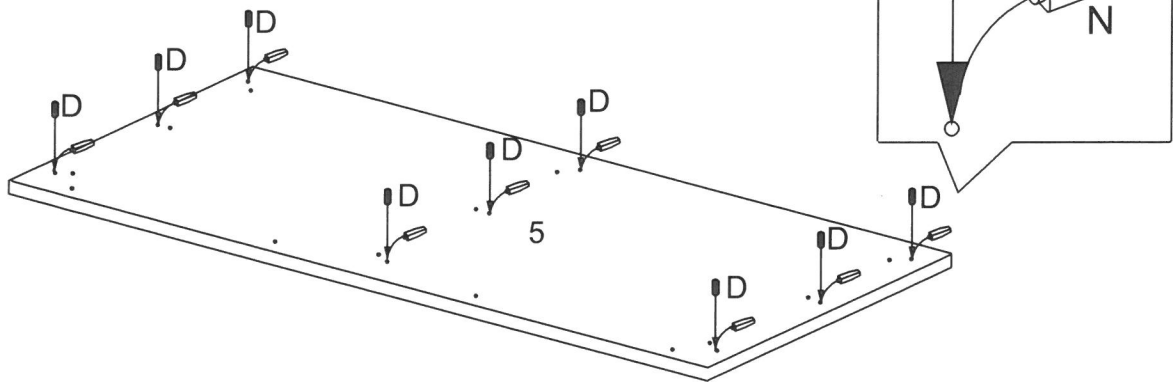
Carefully check parts and packing materials prior to ordering replacements.

How to assemble:

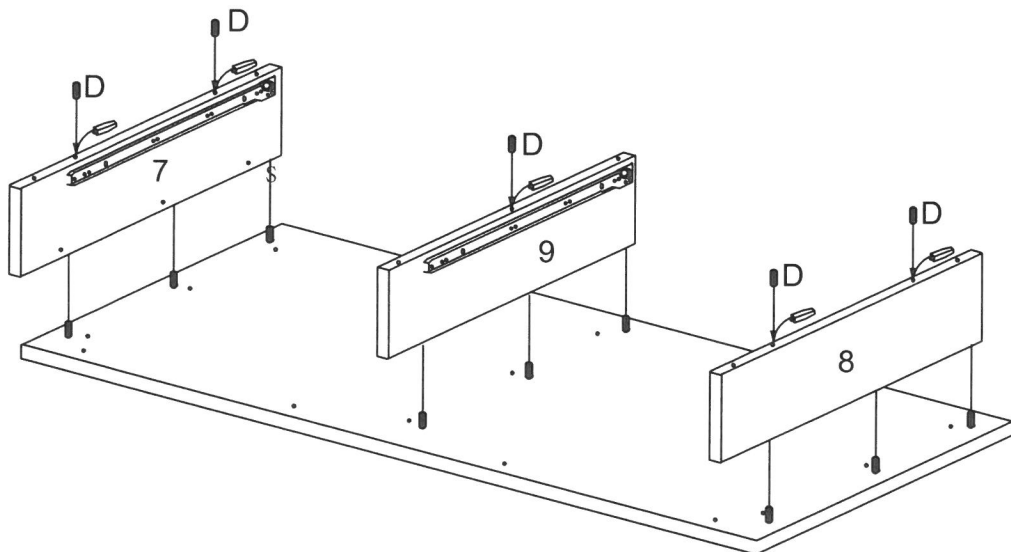
STEP 1



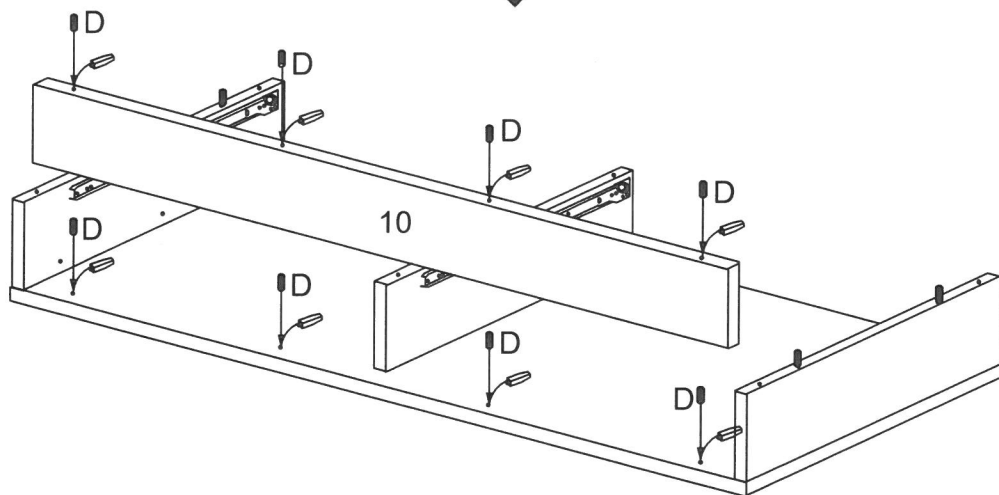
STEP 2



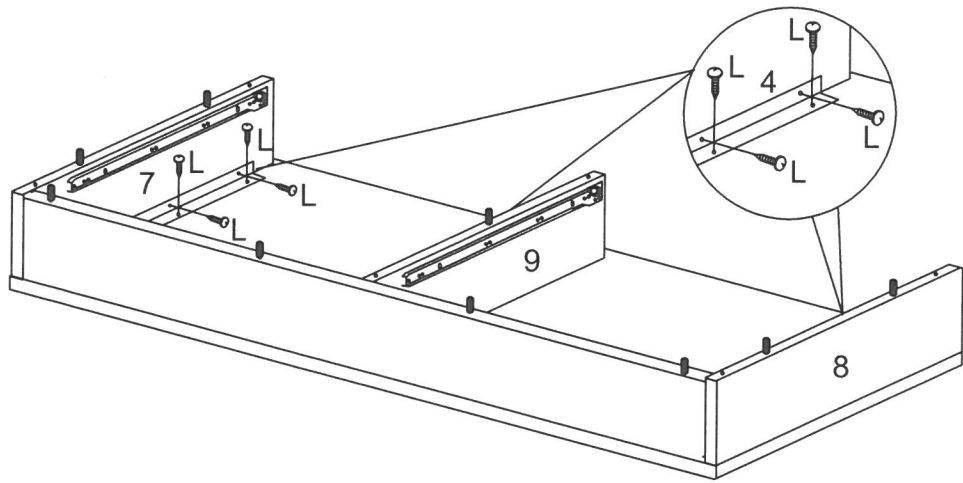
STEP 3



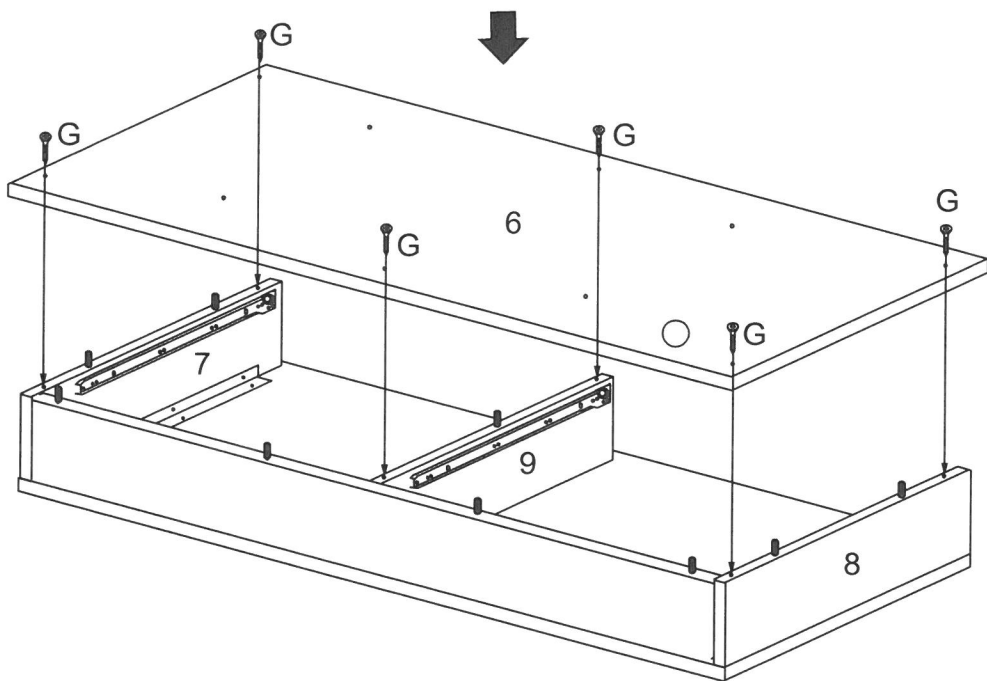
STEP 4



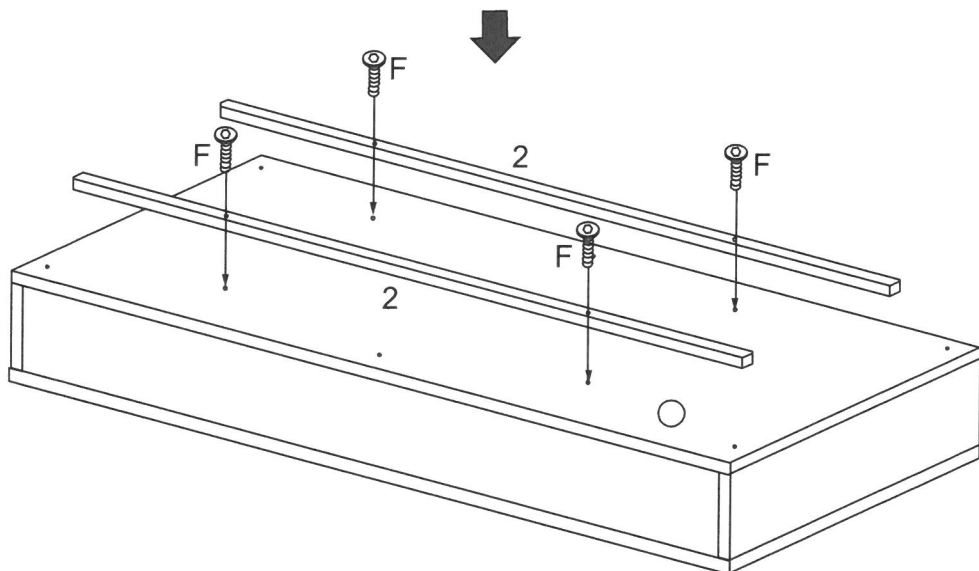
STEP 5



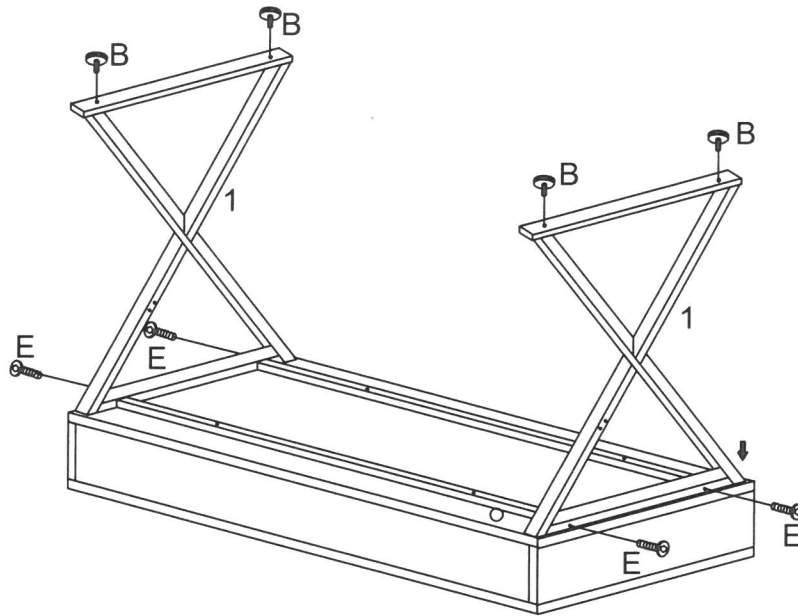
STEP 6



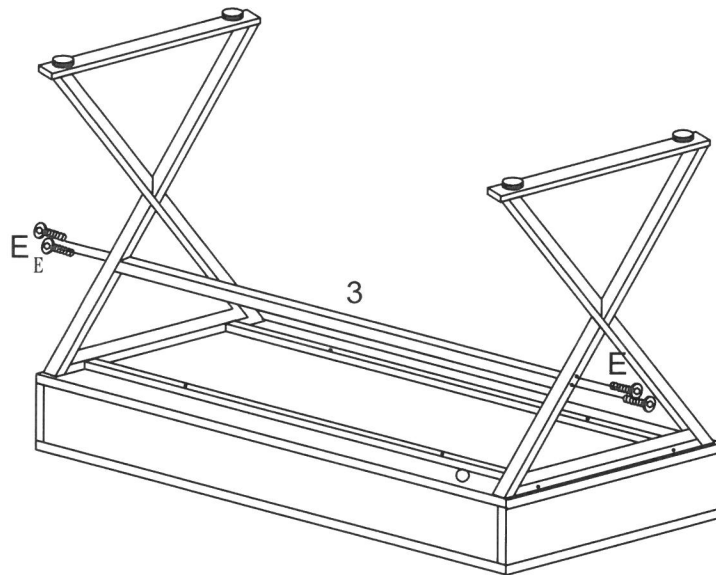
STEP 7



STEP 8



STEP 9



STEP 10

