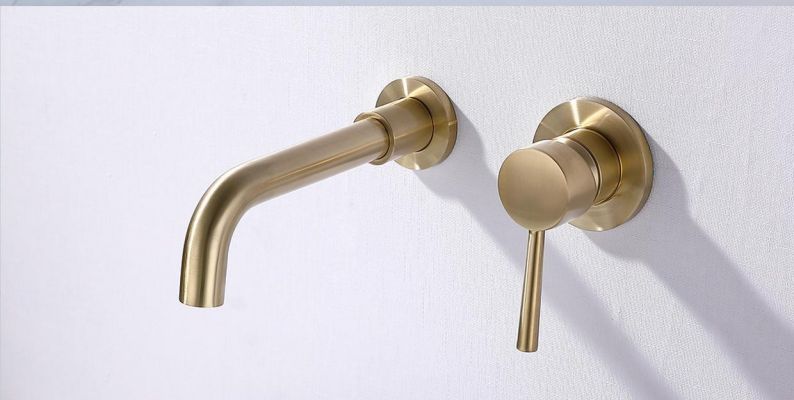


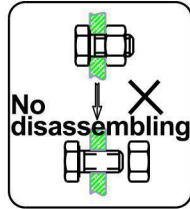
# User's Manual



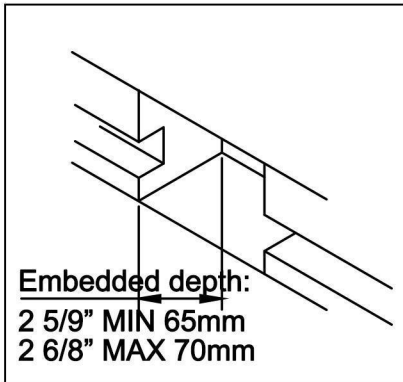


# INSTALLATION STEPS

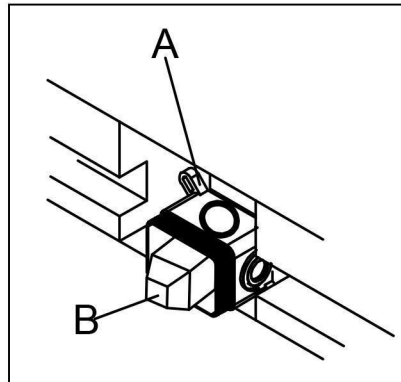
This product has been inspected and debugged by the factory to the best condition. Please do not disassemble and assemble it yourself.



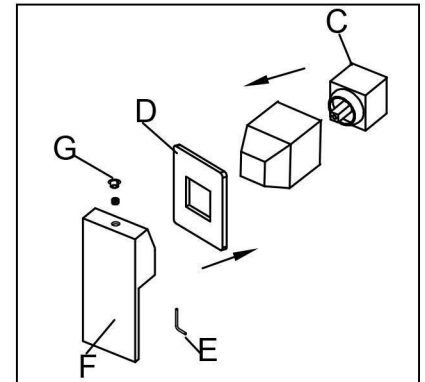
Before installing the product, please be sure to remove sundries and sludge from the water pipe to prevent sundries from blocking the product.



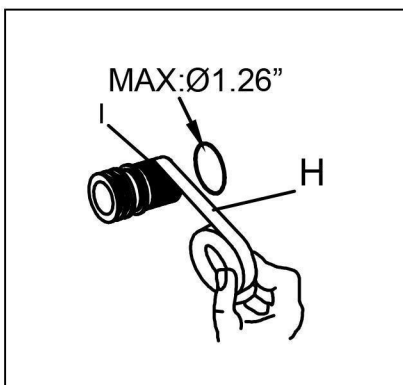
1. Holes size for the built in control valve: 3.94"(100mm)X3.94"(100mm) X2.56"~2.76"(65~70mm), the depth between the bottom of the control valve to the tile surface is 2.56"~2.76"(65~70mm).



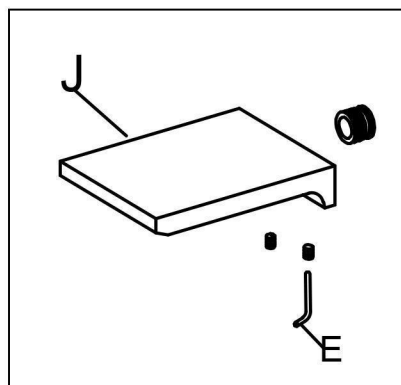
2. Use the tape on pipe threads, connected to the main body (A) cold and hot as required inlet pipe and outlet pipe, checking the leakage before fixing the main body in the embedded hole (keep the horizontal and vertical). Do not remove the protective plastic cover (B) during assembly to ensure watertightness and then landfill.



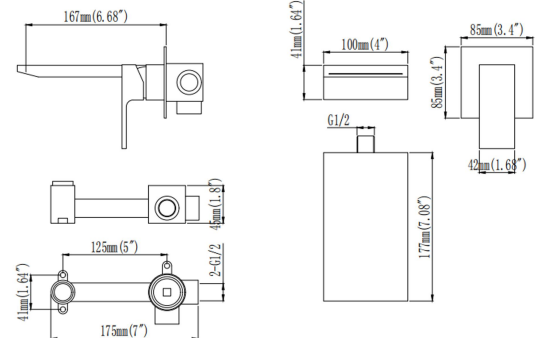
3. Remove the plastic cover (D) and then put the base through the cartridge cover (C), use Allen key (E) and the hexagon socket screw to assemble the handle (F) to the body, and then put on the decorative button (G).



4. Wrap nylon tape (H) around the screw thread at the end of thread pipe, and then tighten the thread pipe (I) to the water pipe.



5. Fix the spout (J) to the position block and the thread pipe, and then use the Allen key (E) to tight the spout with the thread pipe.



## CLEANING CARE

In order to keep the appearance of product clean, bright and good performance, please take care of the product as follows;

1. Rinse with water only and dry with soft cotton cloth;
2. Use mild liquid and colorless glass cleaner to remove surface dirt and scale film, or use polish without abrasive effect;
3. Do not use abrasive detergent, polish, emery cloth, paper towel or scraper, etc;
4. Do not use acid cleaner, or cleaner and soap with insoluble gran etc;
5. In the process of use, mud may accumulate in the bubbler and make the water flow show, The bubbler can be unscrewed, rinsed with water, and then installed back in place.



