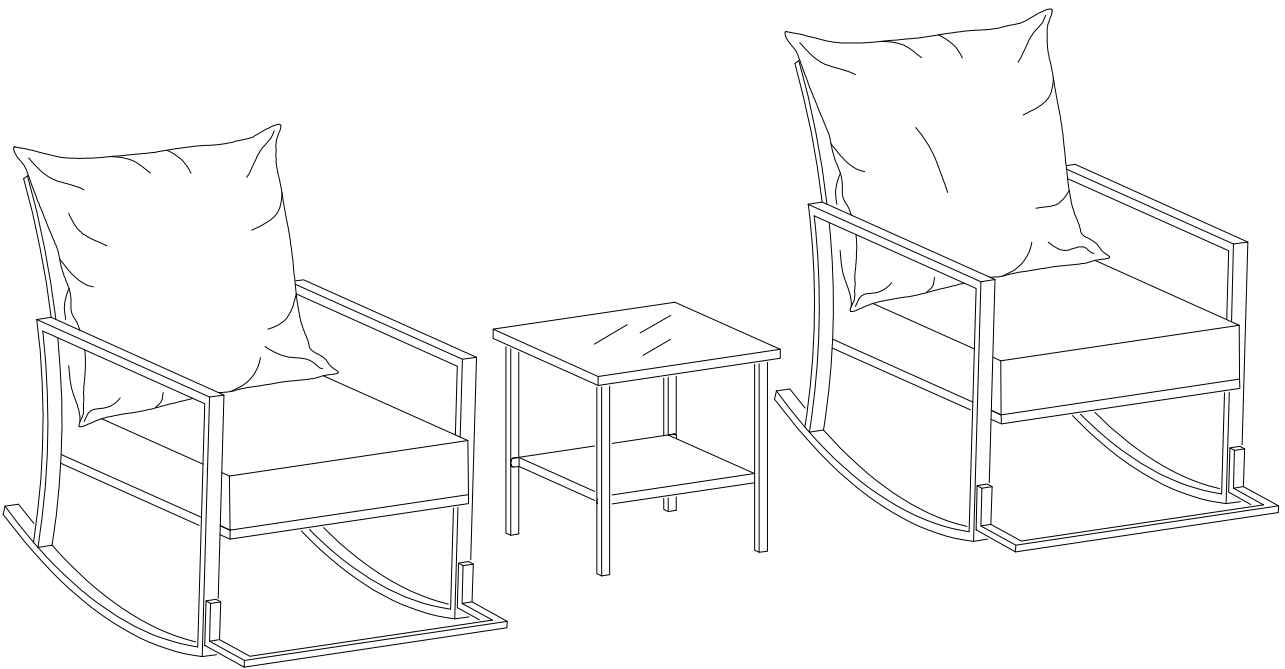
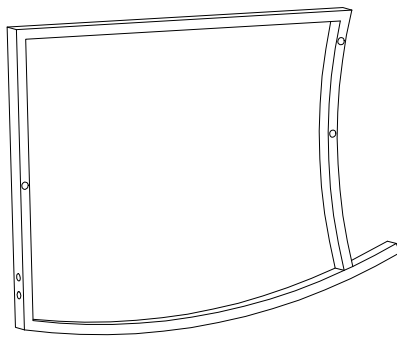


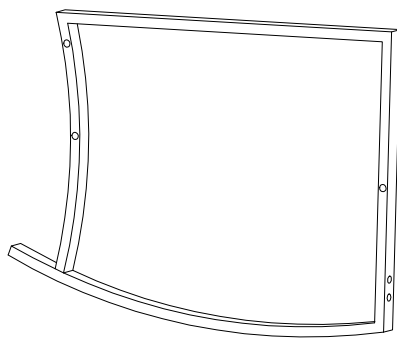
2 Rocking Chairs & Tea Table



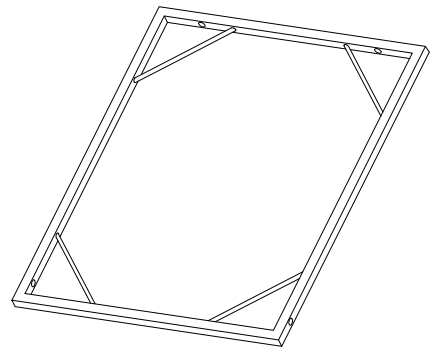
- a. Opening, please check the parts. In case of broken glass, please avoid scratching your fingers! Any defect or missing, contact us in time.
- b. Advisable to assemble on the mat to avoid wear and tear. Avoid all sharp objects touching the product surface. Do not allow the children to play around.
- c. Do not tighten all screws entirely until assembly is completed. Power tools are available, don't over-tighten for strip threads. Any problems assembling, first refer to the instruction or contact us in time! Also, assembly video is available.
- d. If you do not need the pedal(E), you can also eliminate its assembly, which does not affect the loading and normal use of the chairs.
- e. If the cushion covers crease, maybe you can try soaking it with warm water or ironing.



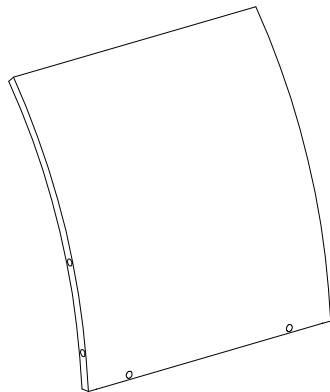
A: right armrest
2 pcs



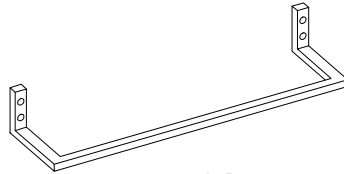
B: left armrest
2 pcs



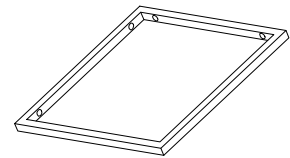
C: seat board
2 pcs



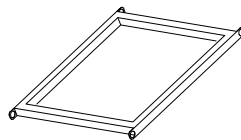
D: backrest
2 pcs



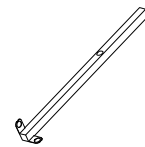
E: pedal
2 pcs



F: table top
1 pcs



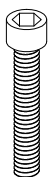
G: table shelf
1 pcs



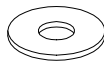
H: table leg1
2 pcs



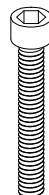
I: table leg2
2 pcs



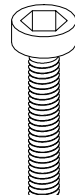
R: screw M6*30mm
8 pcs



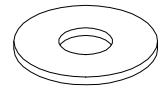
S: shim $\varnothing 16 \times 6.4 \times 1$
32 pcs



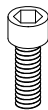
T: screw M6*35mm
12 pcs



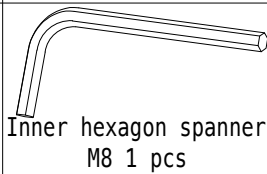
U: screw M8*35mm
4 pcs



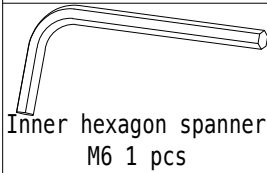
V: shim $\varnothing 18 \times 7.2 \times 1$
4 pcs



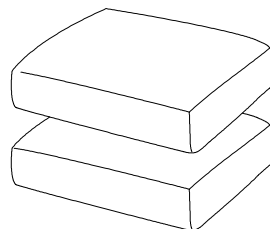
W: screw M6*15mm
12 pcs



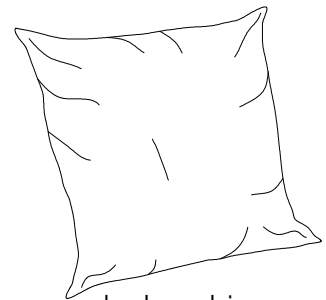
Inner hexagon spanner
M8 1 pcs



Inner hexagon spanner
M6 1 pcs



seat cushion insert
2 pcs



back cushion
2 pcs

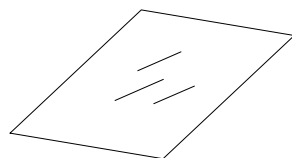


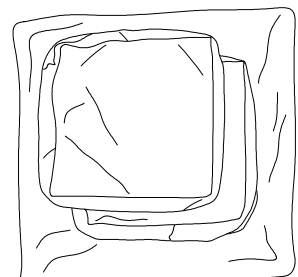
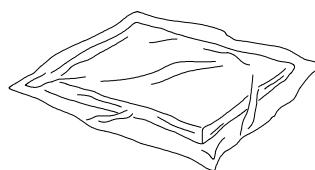
table glass
1 pcs



72h



Unpacking

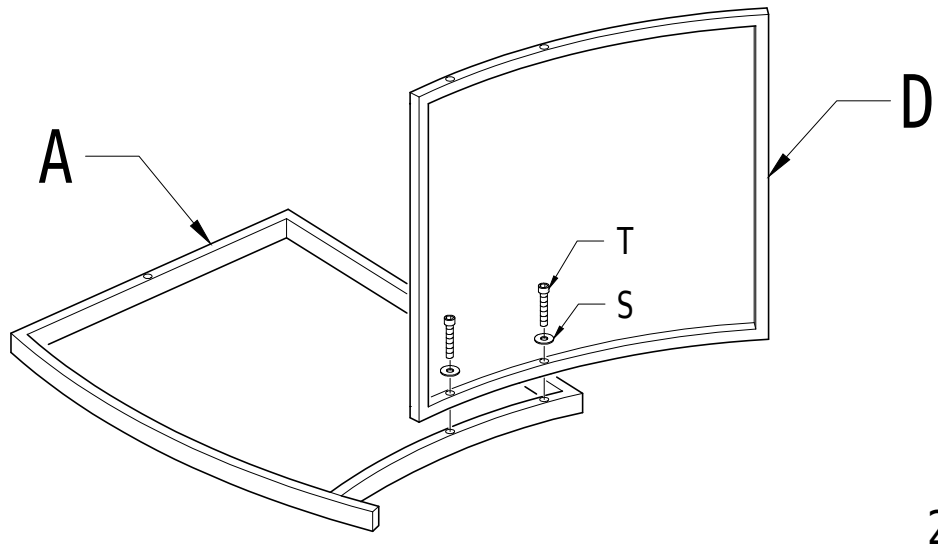
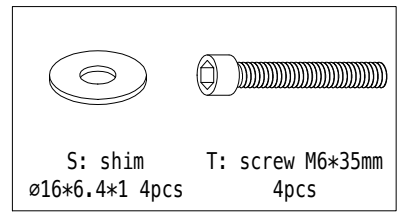


seat cushion cover
2 pcs

Step 1

for chair

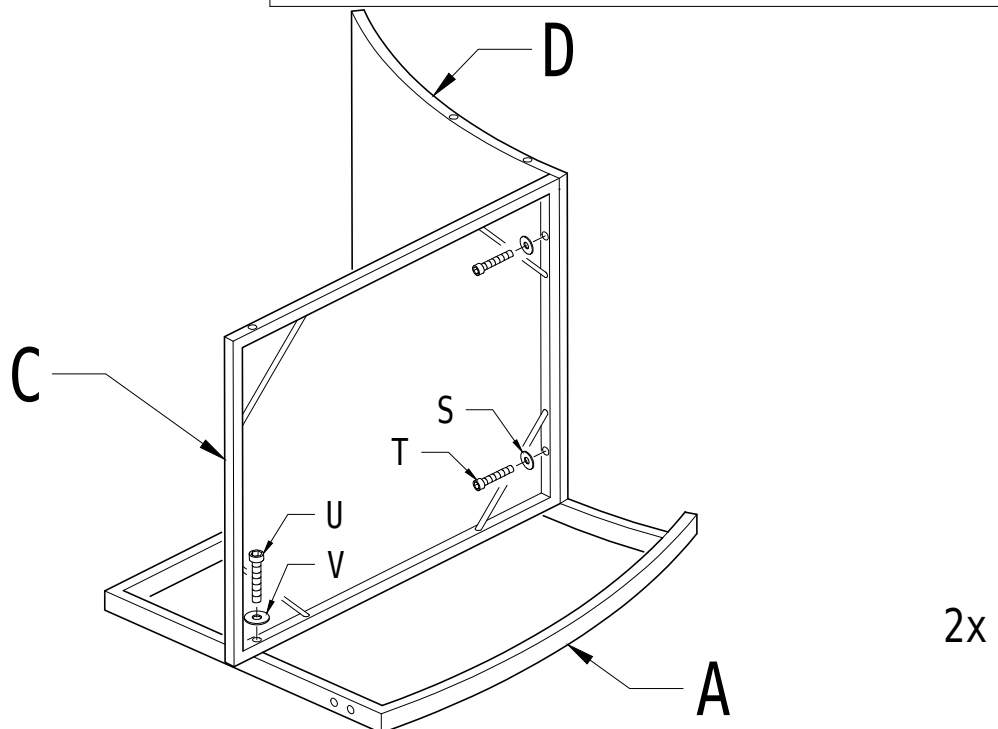
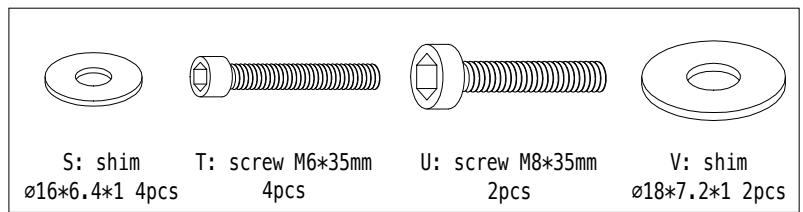
A x 2, D x 2



Step 2

for chair

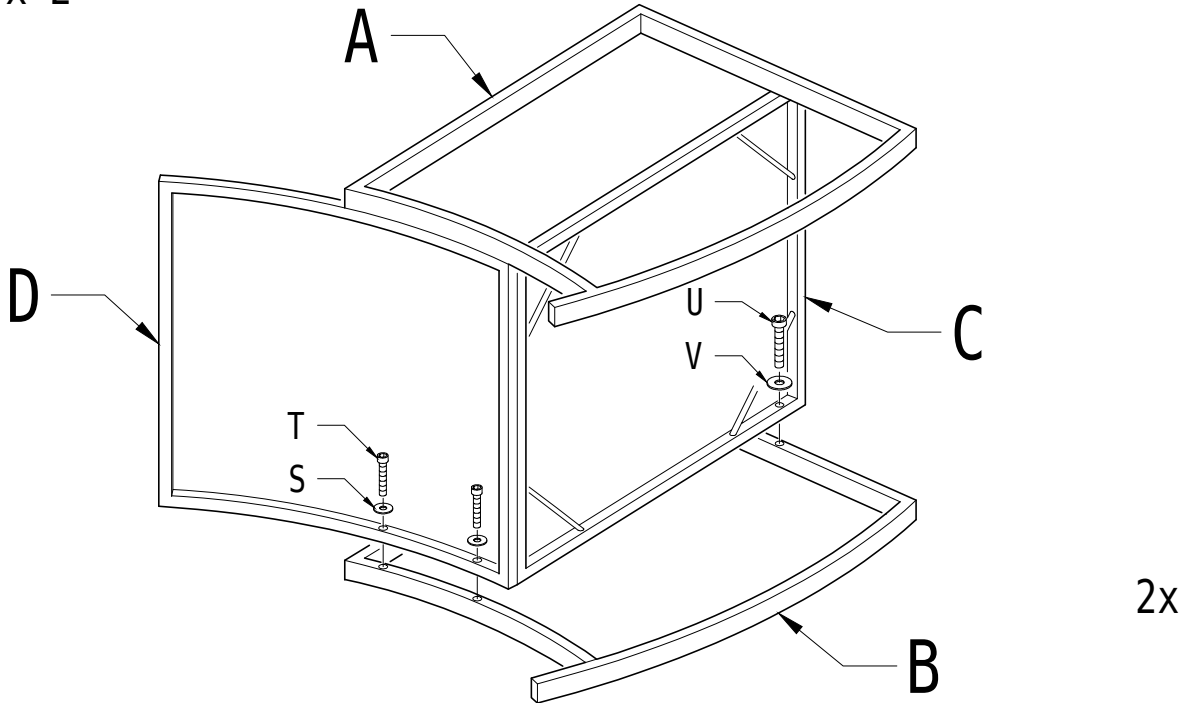
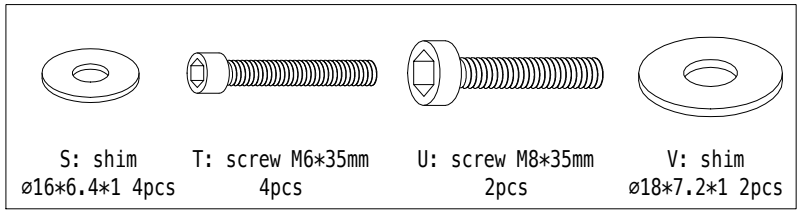
C x 2



Step 3

for chair

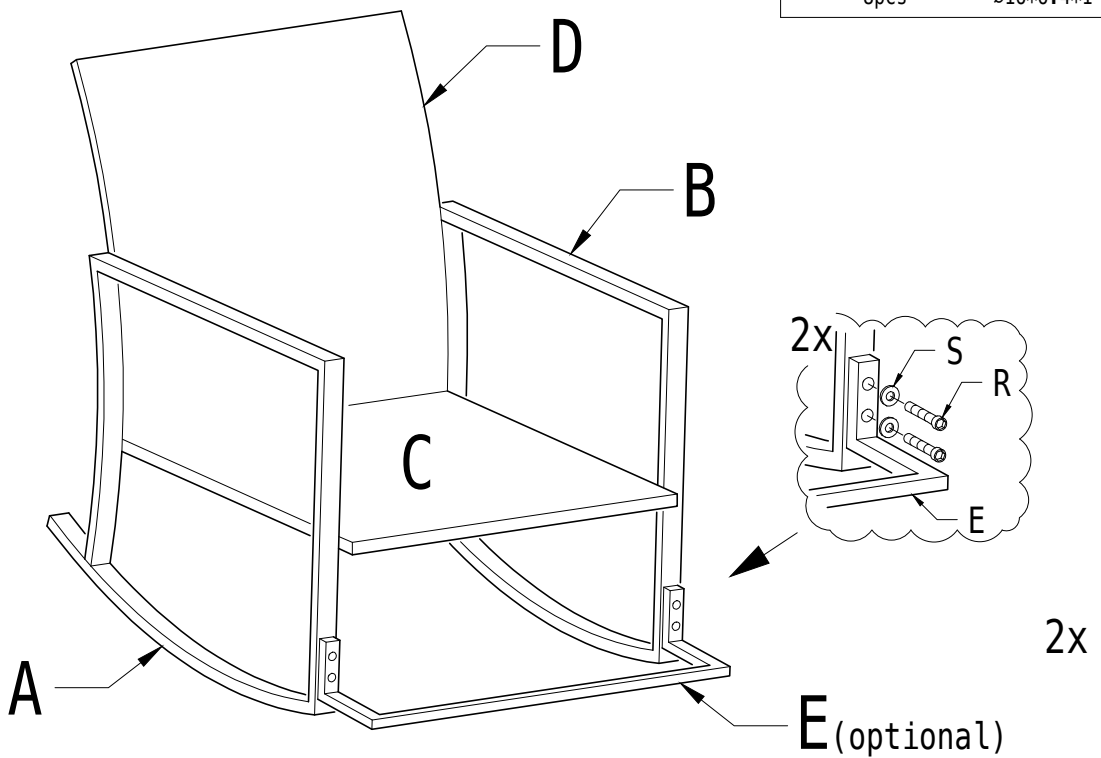
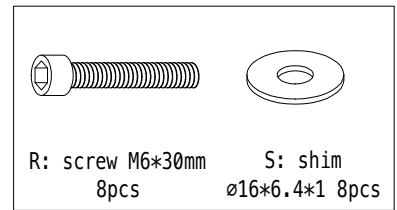
B x 2



Step 4

for chair

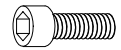
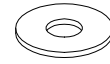
E x 2



Step 1

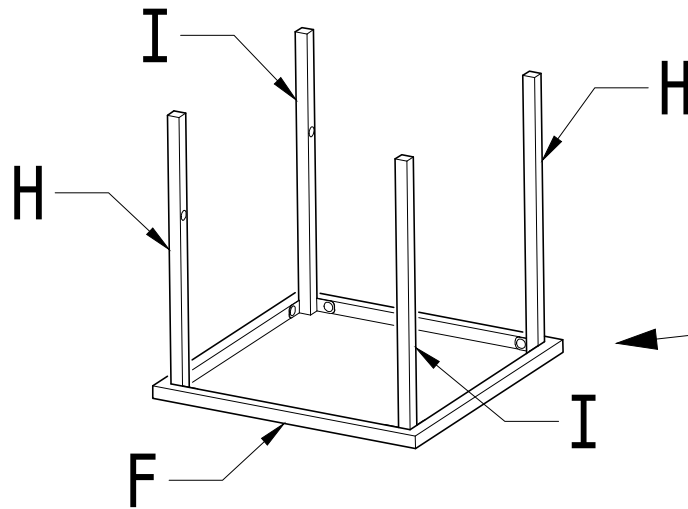
for table

F x 1, H x 2, I x 2



S: shim
ø16*6.4*1 8pcs

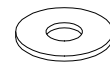
W: screw M6*15mm
8pcs



Step 2

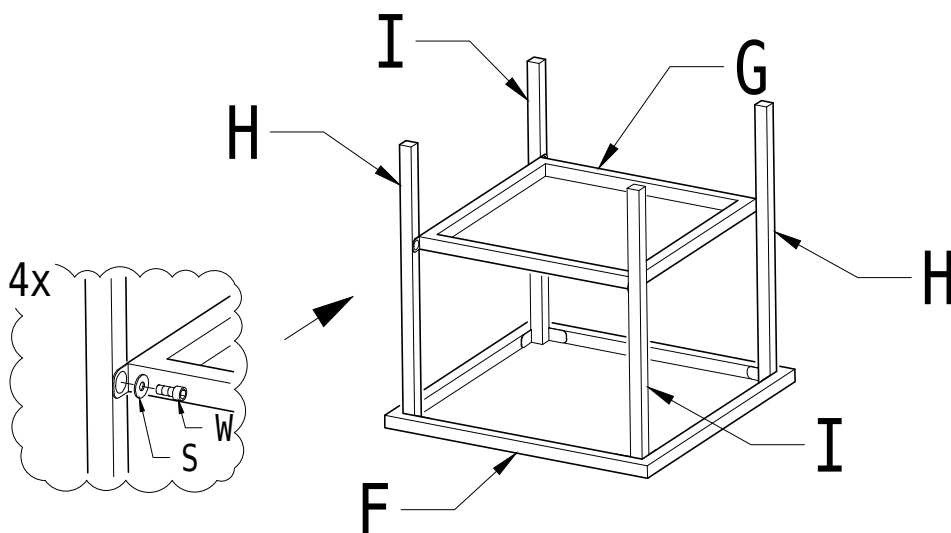
for table

G x 1



S: shim
ø16*6.4*1 4pcs

W: screw M6*15mm
4pcs



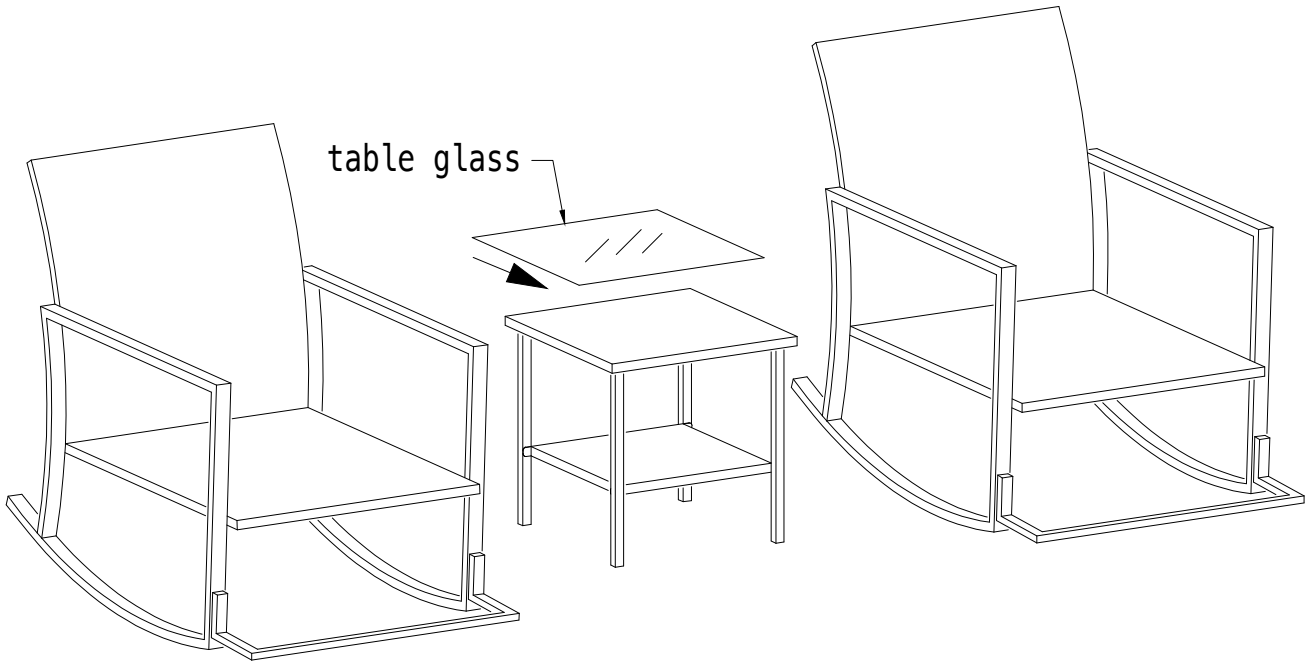


table glass