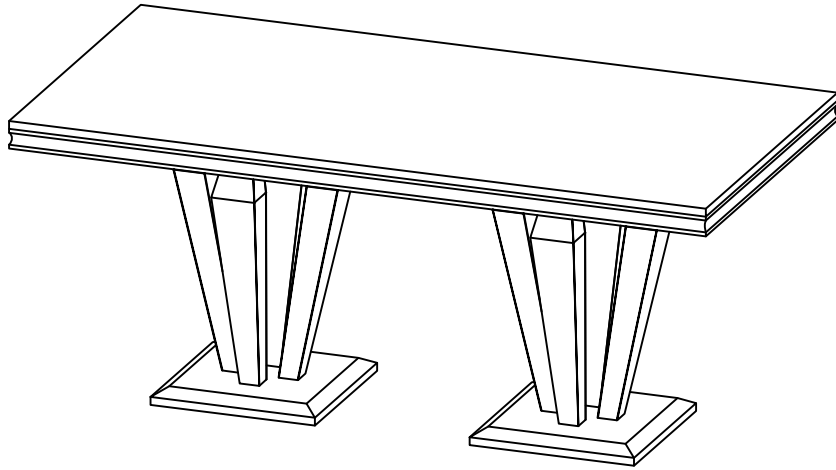
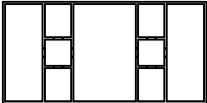




Assembly instructions

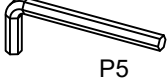




Please install the products on carpet or soft place

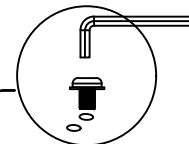
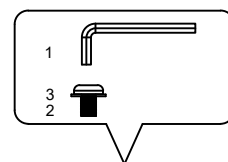
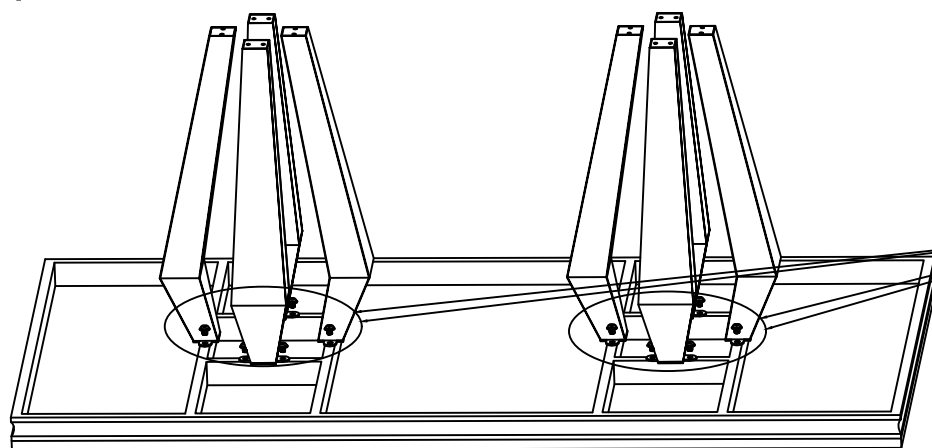
Parts list

NO.	Sketch	Description	Qty
A		Table Top	1
B		Leg	8
C		Base	2

Hardware List

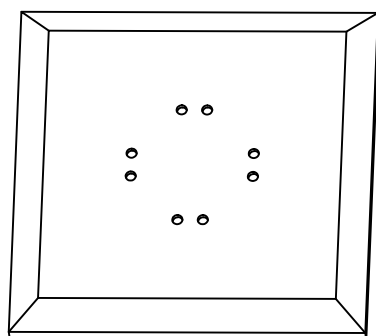
NO.	Sketch	Description	Qty
1		Allen Key	1
2		Bolts M8*16	32
3		Gasket Φ8	32

Step 1

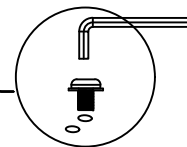
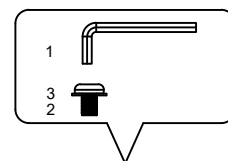
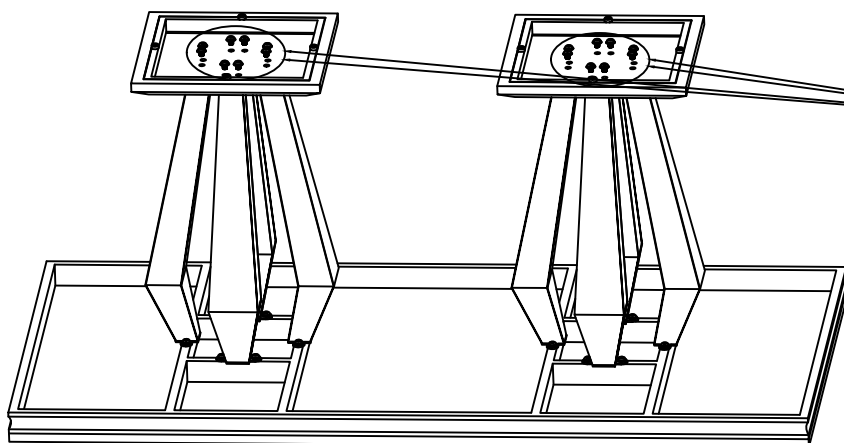


Tighten all the screws

Step 2

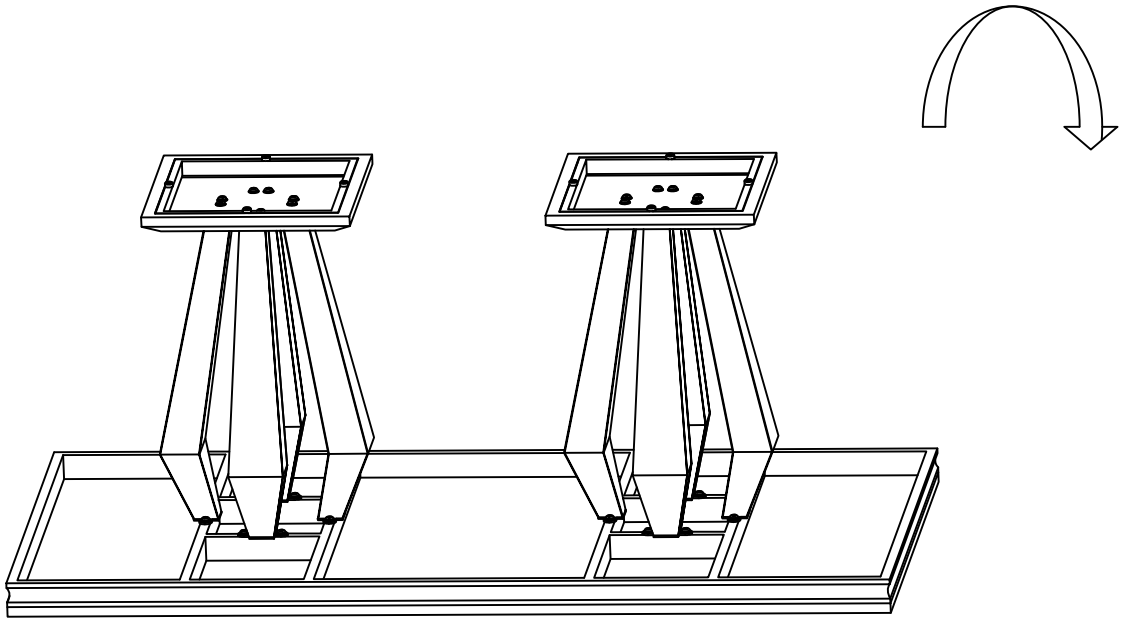


Step 3



Tighten all the screws

Step 4



Step 5

