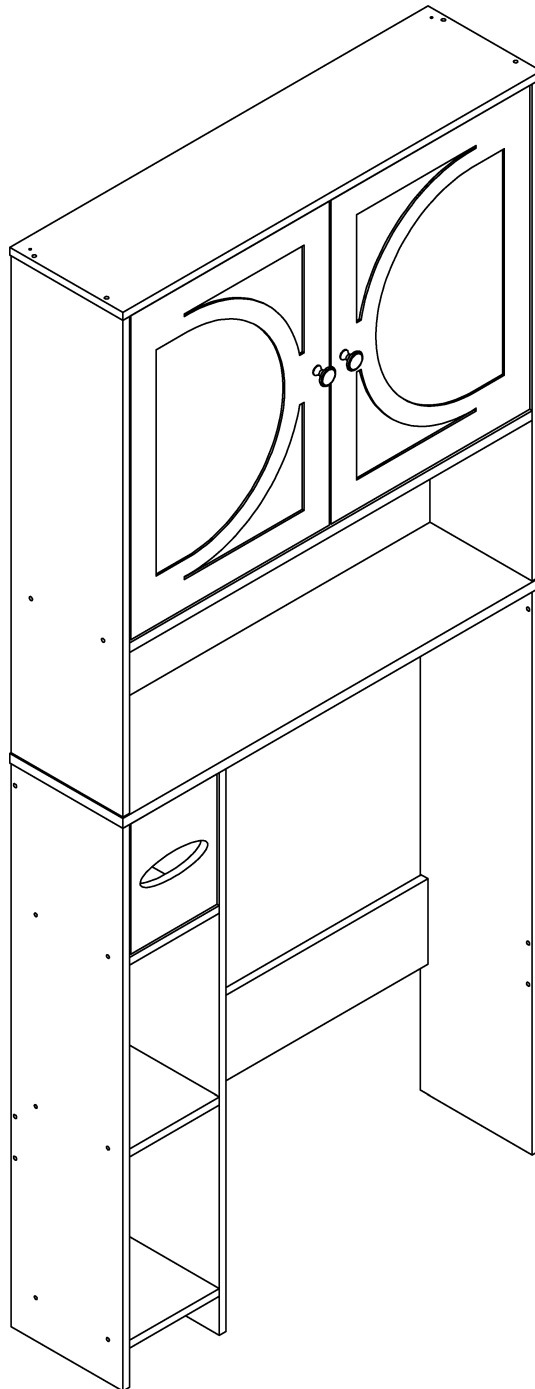


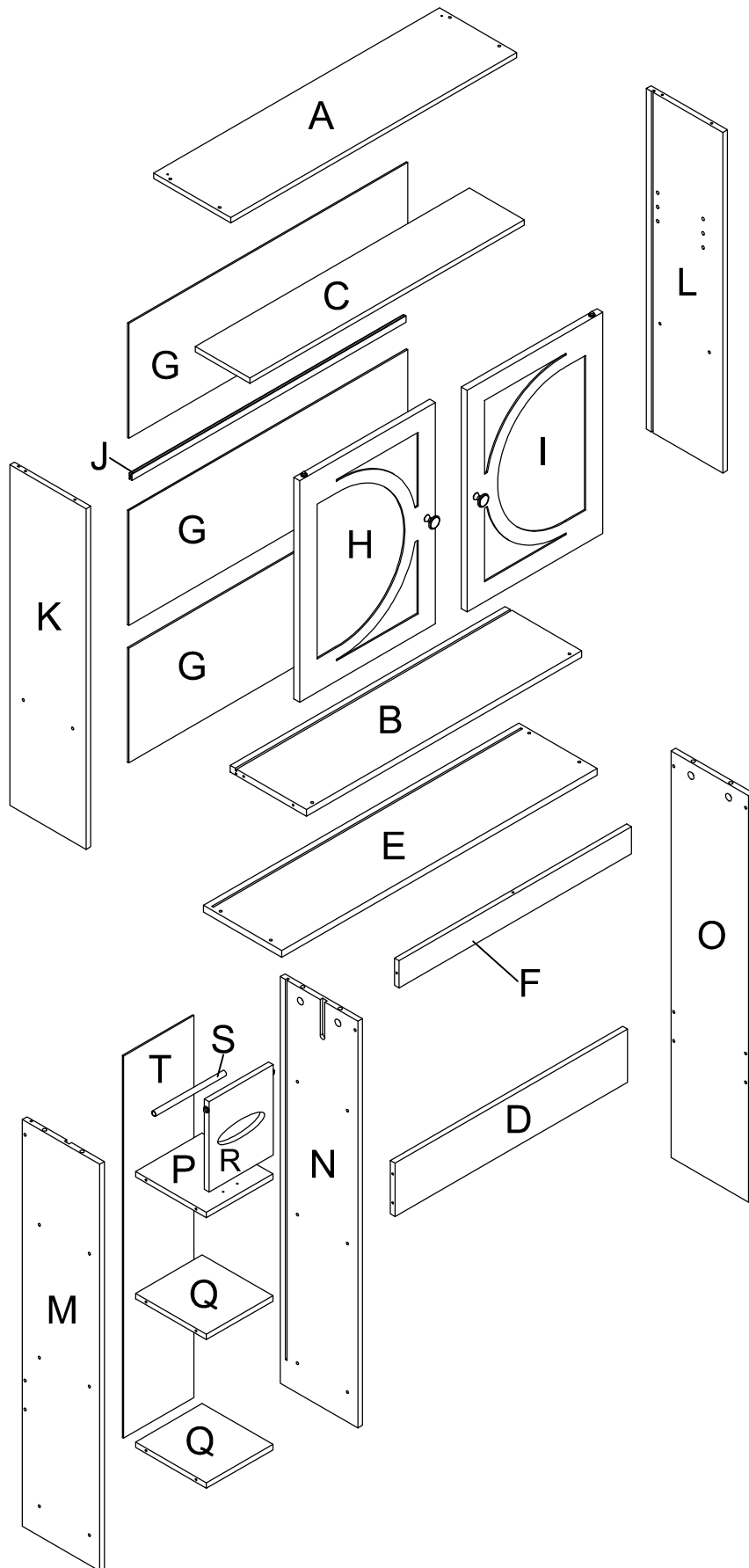
ASSEMBLY INSTRUCTION

Left Cabinet



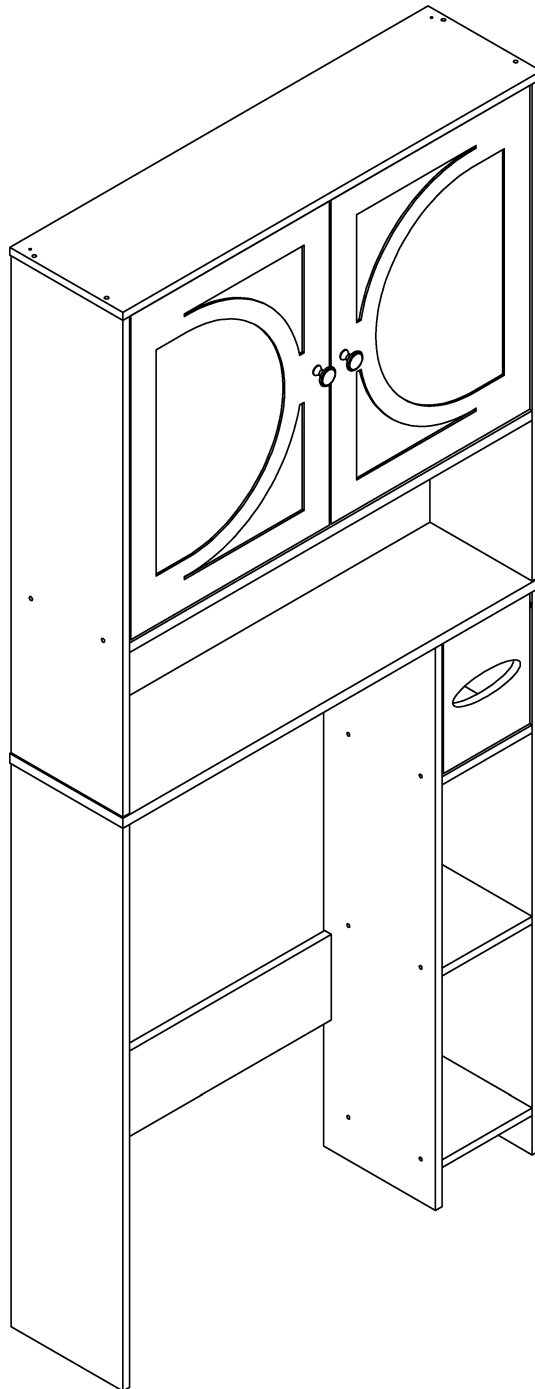
ASSEMBLY OVERVIEW

Left Cabinet



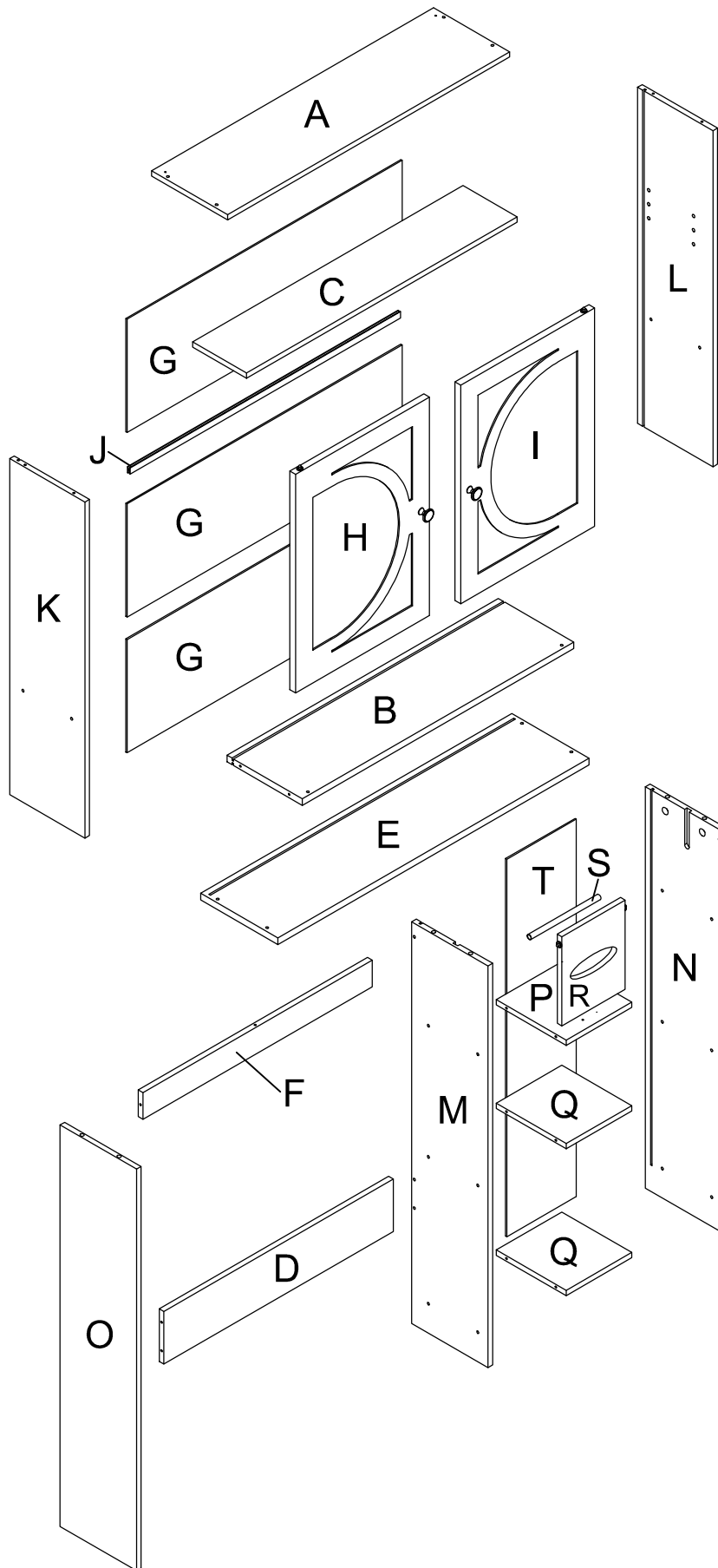
ASSEMBLY INSTRUCTION

Right Cabinet



ASSEMBLY OVERVIEW

Right Cabinet



Notes:

1. ASSEMBLY PREPARATION AND TIPS FOR ASSEMBLY

- 1). Remove all packaging materials, staples and packing straps from the carton.
- 2). Refer to Parts List and Hardware List, and ensure parts and hardware are correct before assembly.
Contact customer service for missing parts.
- 3). Place all wooden parts on a clean, flat and soft surface (e.g. carpet or rug) to prevent scratch and damage to parts.
- 4). Allow ample room for assembly and assemble the product near where the product will be placed.
- 5). During assembly, do not over-tighten any fittings as this may cause damage.
- 6). Always place the product on a flat, level surface.

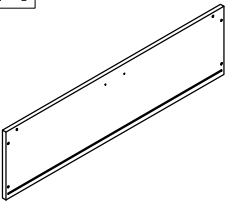
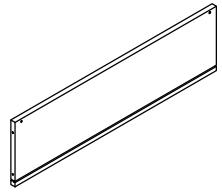
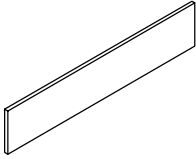
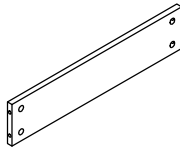
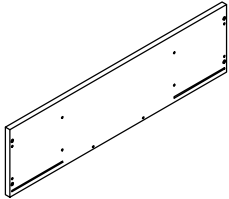
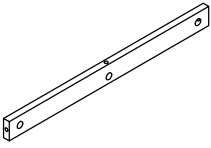
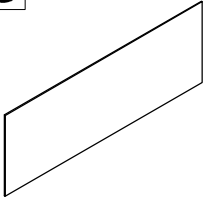
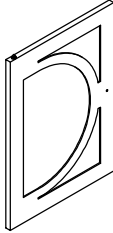
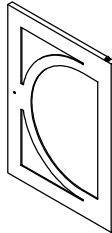
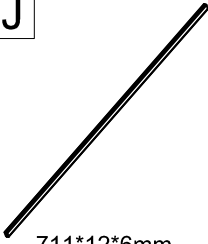
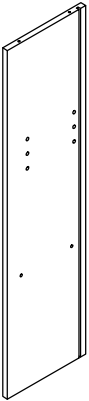
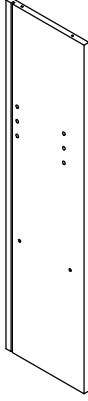
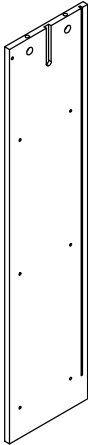


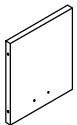
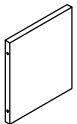
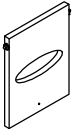
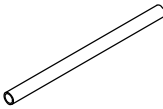

2. CARE AND MAINTENANCE

- 1). KEEP ALL HARDWARE PARTS OUT OF REACH OF CHILDREN.
- 2). Wipe clean with a soft, dry cloth; avoid the use of harsh chemicals or household cleaners as they may damage the exterior finish of the furniture.
- 3). Hardware may loosen over time. Periodically, check that all connections are tight; re-tighten as necessary.







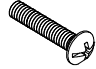


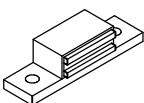
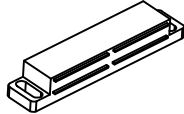
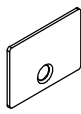
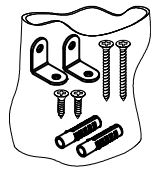
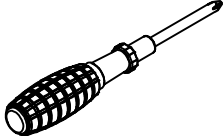
3. TIPS TO PROTECT & CARE FOR YOUR FURNITURE

- 1). Avoid placing your furniture in direct sunlight, as sunlight causes fading.
- 2). Use a protective pad when writing on the furniture surface.
- 3). Use cutting boards and trivets for food preparation in order to avoid damaging the top for the unit.

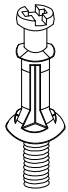
PART LIST

| | | | | |
|---|---|---|--|---|
|  |  |  |  |  |
| <p>Top Panel 1 PC</p> | <p>Upper Fixed Shelf Panel 1 PC</p> | <p>Adjustable Shelf 1 PC</p> | <p>Back Bottom Rail 1 PC</p> | <p>Bottom Panel 1 PC</p> |
|  |  |  |  |  |
| <p>Back Top Rail 1 PC</p> | <p>Upper Back Panel 3 PCS</p> | <p>Left Door 1 PC</p> | <p>Right Door 1 PC</p> | <p>711*12*6mm Back Plastic Strip 1 PC</p> |
|  |  |  |  |  |
| <p>Upper Left Panel 1 PC</p> | <p>Upper Right Panel 1 PC</p> | <p>Lower Side Panel-L/C 1 PC</p> | <p>Lower Side Panel-C/R 1 PC</p> | <p>Lower Side Panel-R/L 1 PC</p> |
|  |  |  |  |  |
| <p>Lower Fixed Shelf Panel(1) 1 PC</p> | <p>Lower Fixed Shelf Panel(2) 2 PCS</p> | <p>Front Fender Panel 1 PC</p> | <p>Plastic Pipe 1 PC</p> | <p>Lower Back Panel 1 PC</p> |

HARDWARE LIST

| | | | | |
|--|---|--|--|--|
| <p>#1</p>  <p>Ø5*40mm</p> | <p>#2</p>  <p>Ø6.5mm</p> | <p>#3</p>  <p>Ø3*12mm</p> | <p>#4</p>  <p>Ø6*35mm</p> | <p>#5</p>  <p>Ø15*9mm</p> |
| <p>Screw</p> <p>24 PCS (Extra 2)</p> | <p>Shelf Holder</p> <p>4 PCS (Extra 1)</p> | <p>Screw</p> <p>3 PCS (Extra 1)</p> | <p>Cam-bolt</p> <p>13 PCS (Extra 2)</p> | <p>Cam-lock</p> <p>13 PCS(Extra 2)</p> |
| <p>#6</p>  | <p>#7</p>  <p>M4*22mm</p> | <p>#8</p>  | <p>#9</p>  <p>Ø3.5*15mm</p> | <p>#10</p>  <p>45*17*12mm</p> |
| <p>Handle</p> <p>2 PCS</p> | <p>Round Head Bolt</p> <p>2 PCS(Extra 1)</p> | <p>Back Bracket</p> <p>18 PCS (Extra 3)</p> | <p>Screw</p> <p>22 PCS (Extra 3)</p> | <p>Single Door Magnet</p> <p>1 PC</p> |
| <p>#11</p>  <p>70*17*13mm</p> | <p>#12</p>  <p>30*22*1mm</p> | <p>#13</p>  |  | |
| <p>Double Door Magnet</p> <p>1 PC</p> | <p>Door Small Plate</p> <p>3 PCS</p> | <p>Safety Strap Kit</p> <p>1 SET</p> | <p>Phillips Screwdriver</p> <p>1 PC</p> | |

Instructions For Fastening CAM-BOLT and CAM-LOCK

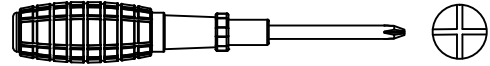


CAM-BOLT

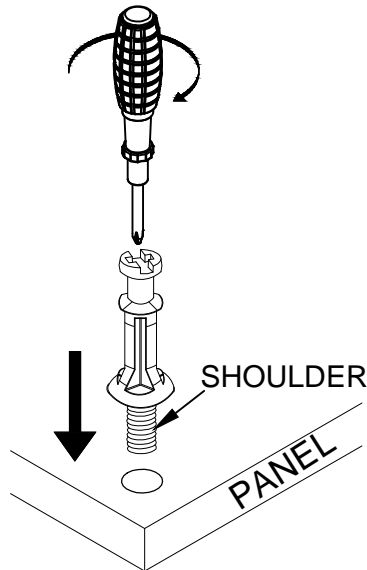


CAM-LOCK

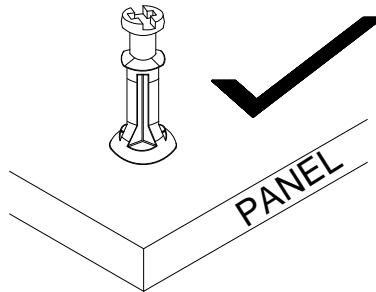
Tools Required



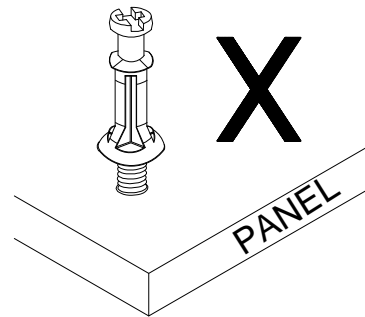
INSERTING AND TIGHTENING CAM-BOLT



Place Cam-bolt on pre-drilled hole and screw in vertically



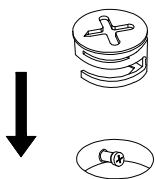
Shoulder is flushed (on the same level) with the panel.



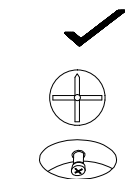
Shoulder is above the panel.

Place Cam-bolt on the designated pre-drilled holes on the panel. Use a Phillips Screwdriver to screw-in Cam-bolt vertically until shoulder is flushed (on the same level) with panel.

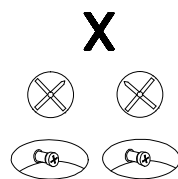
INSERTING CAM-LOCK



Insert Cam-lock with arrow align to Cam-bolt head



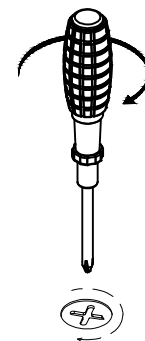
CORRECT



WRONG

Align the arrow on the Cam-lock to the Cam-bolt head and insert the Cam-lock. Ensure Cam-lock is fully inserted.

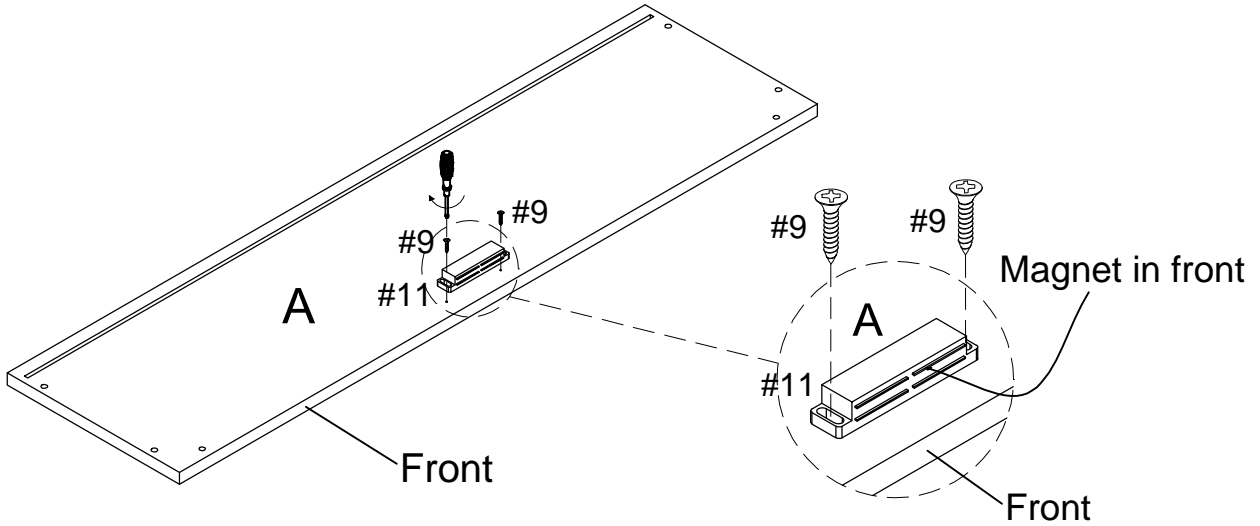
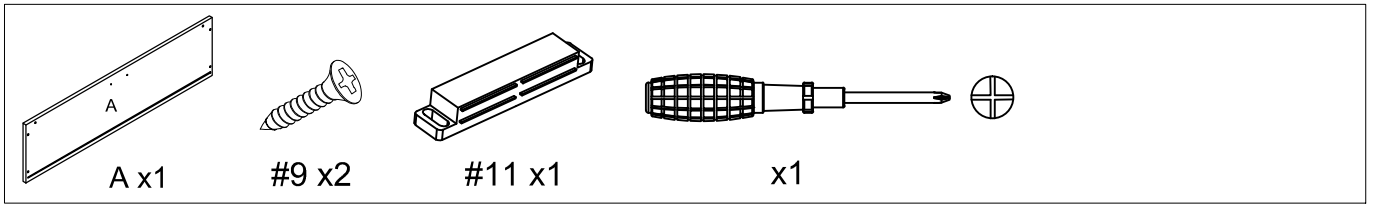
TIGHTENING CAM-LOCK



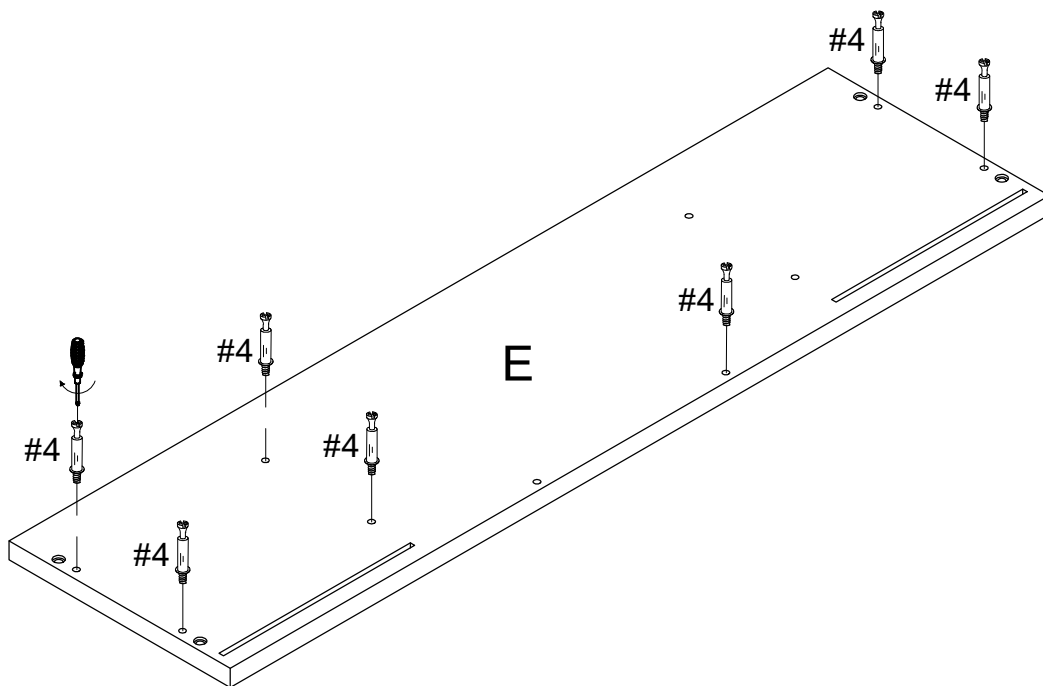
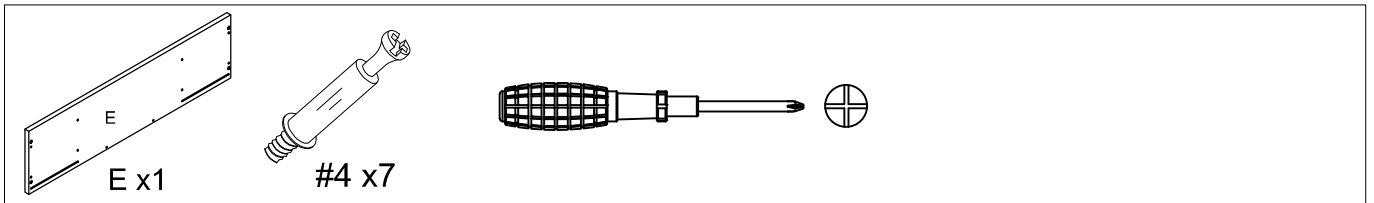
Use a Flat-head Screwdriver to turn Camlock clockwise so it locks onto the head of the Cam-bolt. Turn until it is snug (about 3/4ths of a turn) -- over-tightening could damage Cam-lock or/and Cam-bolt.

Step 1 - Step 19, Left cabinet assembly instruction.

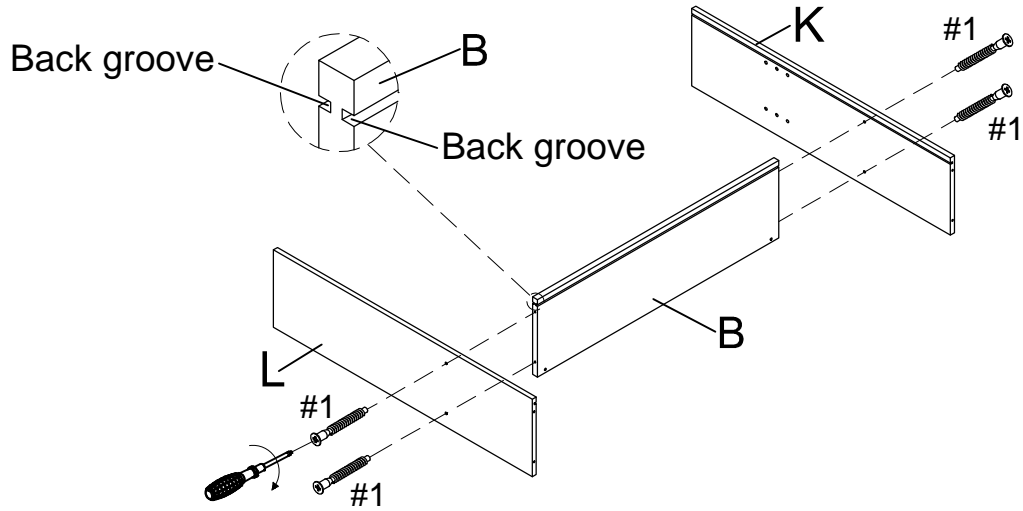
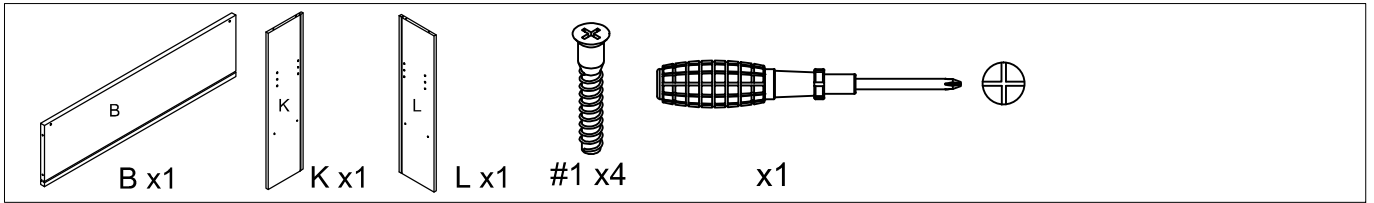
Step 1.



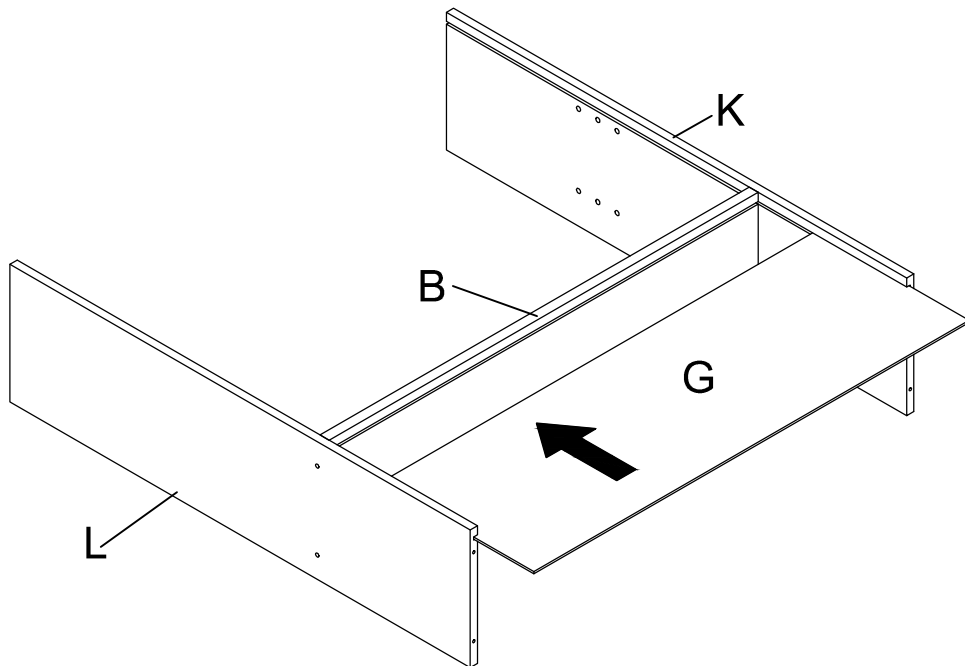
Step 2.



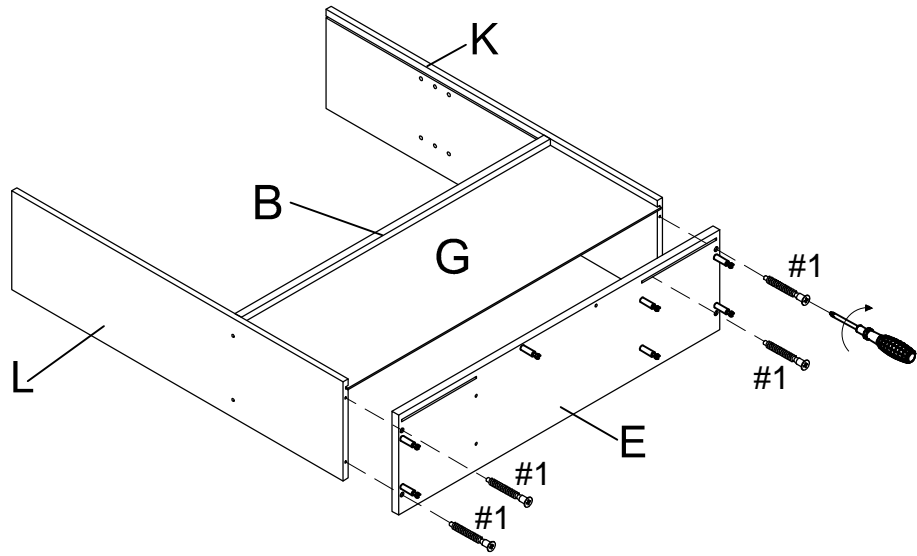
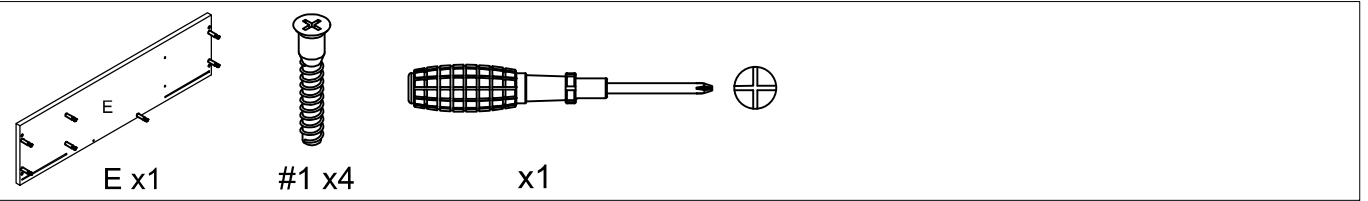
Step 3.



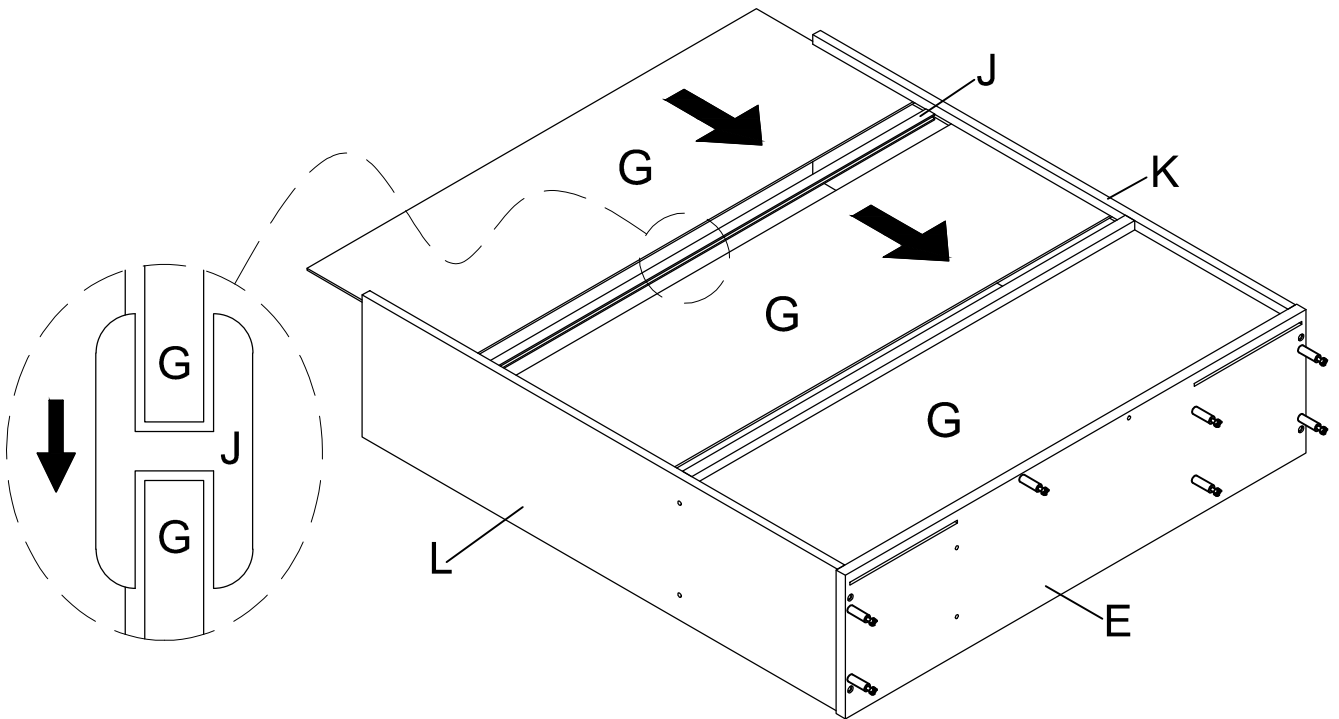
Step 4.



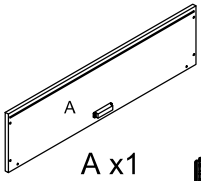

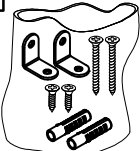
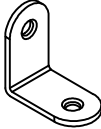
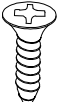
Step 5.

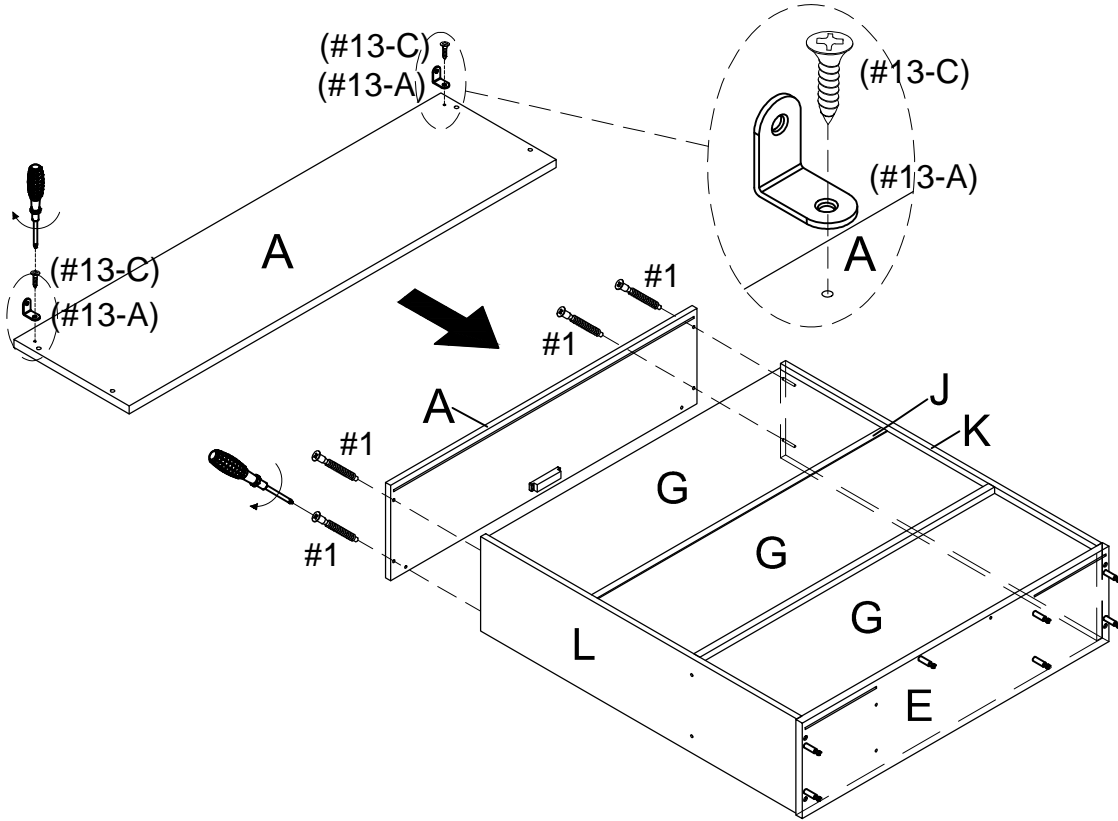


Step 6.

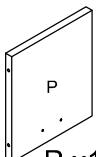

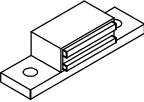
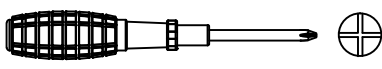


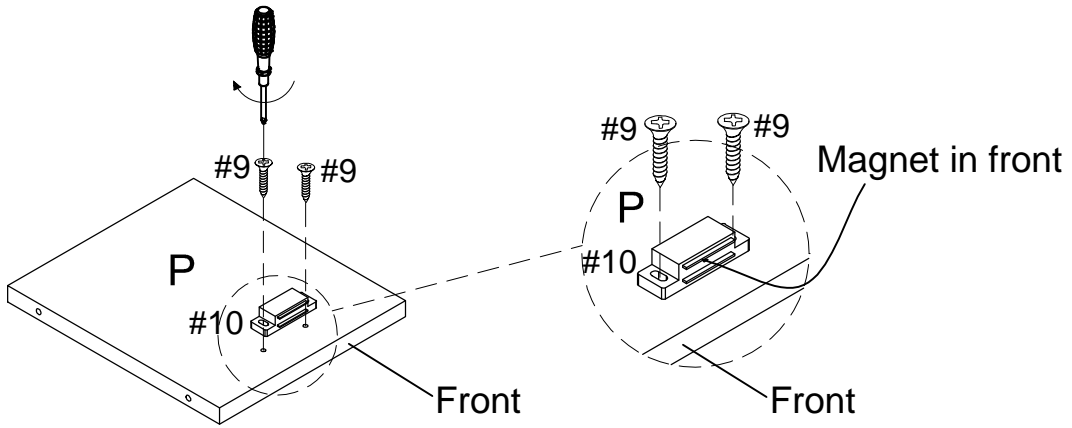
Step 7.

| | | | | |
|---|--|---|--|---|
|  <p>A x1</p> |  <p>#1 x4</p> |  <p>#13</p> <p>Safety Strap Kit</p> <p>1 SET</p> |  <p>(#13-A)</p> <p>30*30*2mm</p> <p>Angel Iron</p> <p>2 PCS</p> |  <p>(#13-C)</p> <p>Ø3.5*15mm</p> <p>Short Screw</p> <p>2 PCS</p> |
| | | | | |

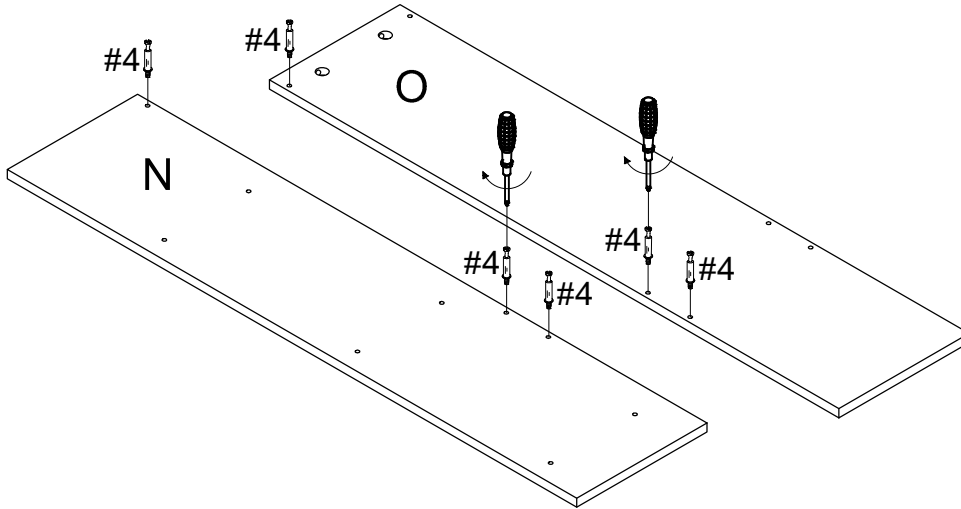
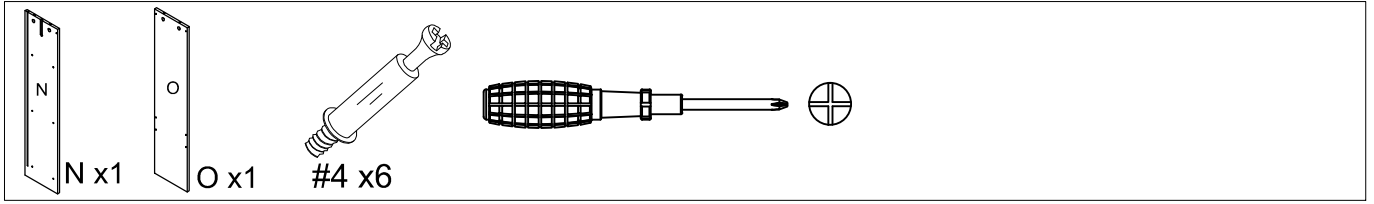


Step 8.

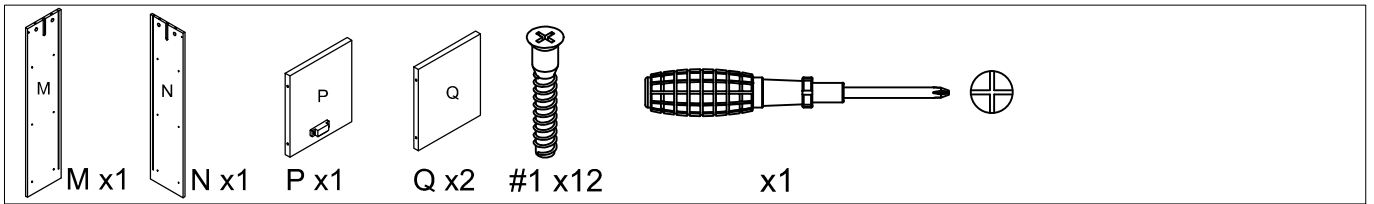
| | | | |
|---|--|---|--|
|  <p>P x1</p> |  <p>#9 x2</p> |  <p>#10 x1</p> |  <p>x1</p> |
|---|--|---|--|



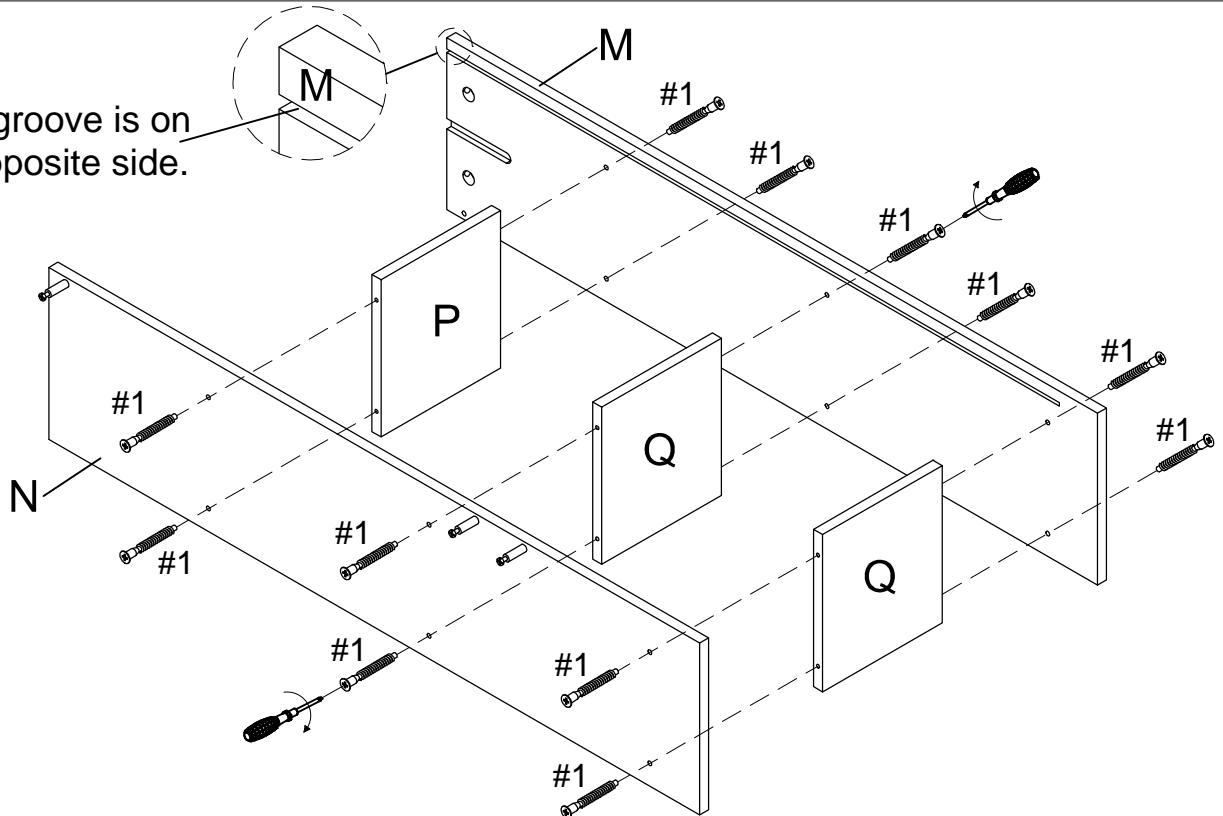
Step 9.



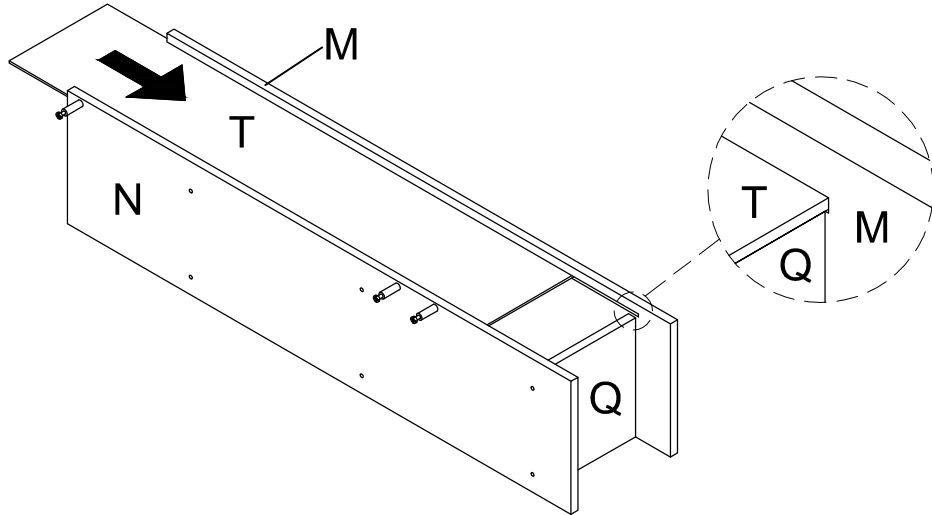
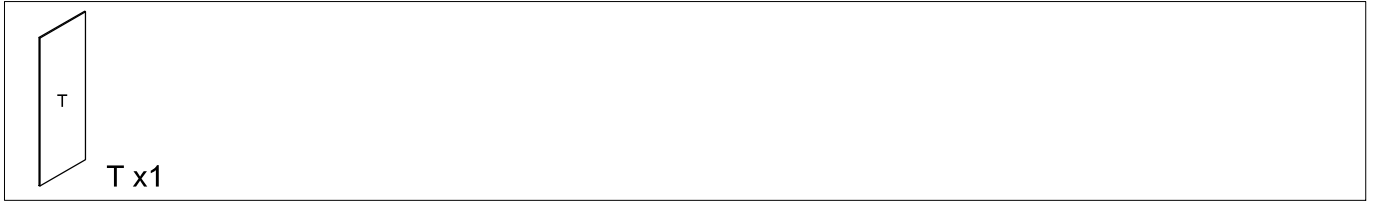
Step 10.



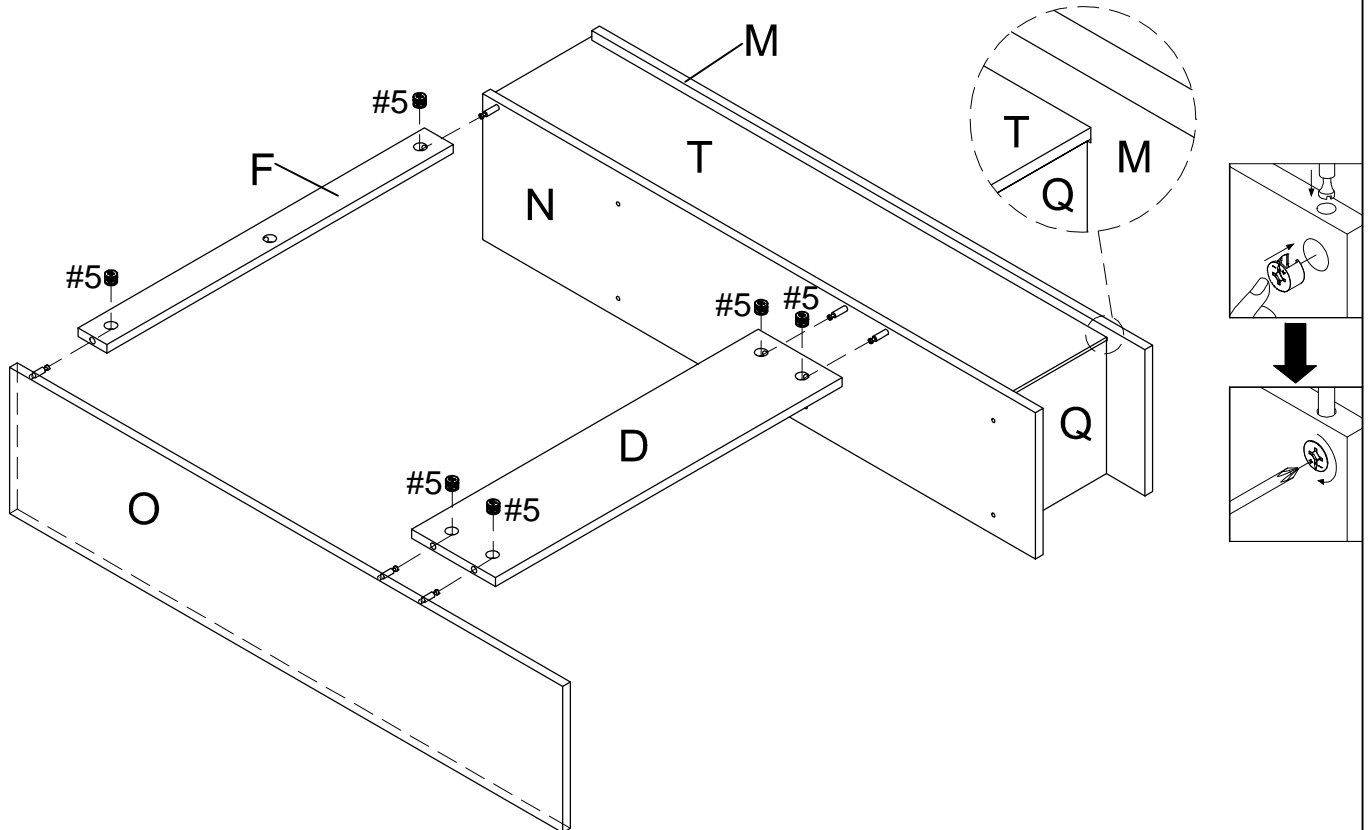
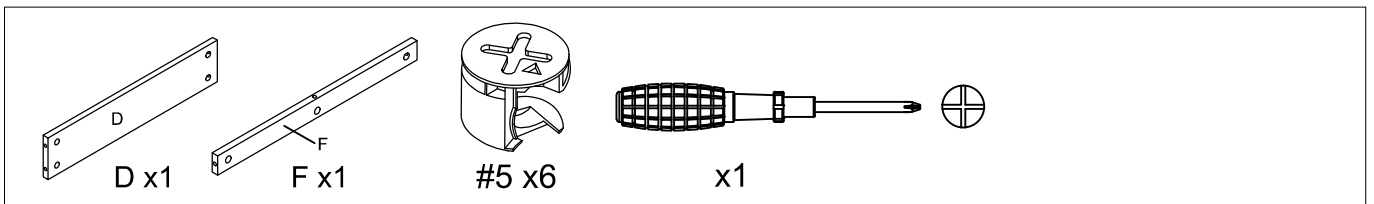
Back groove is on the opposite side.



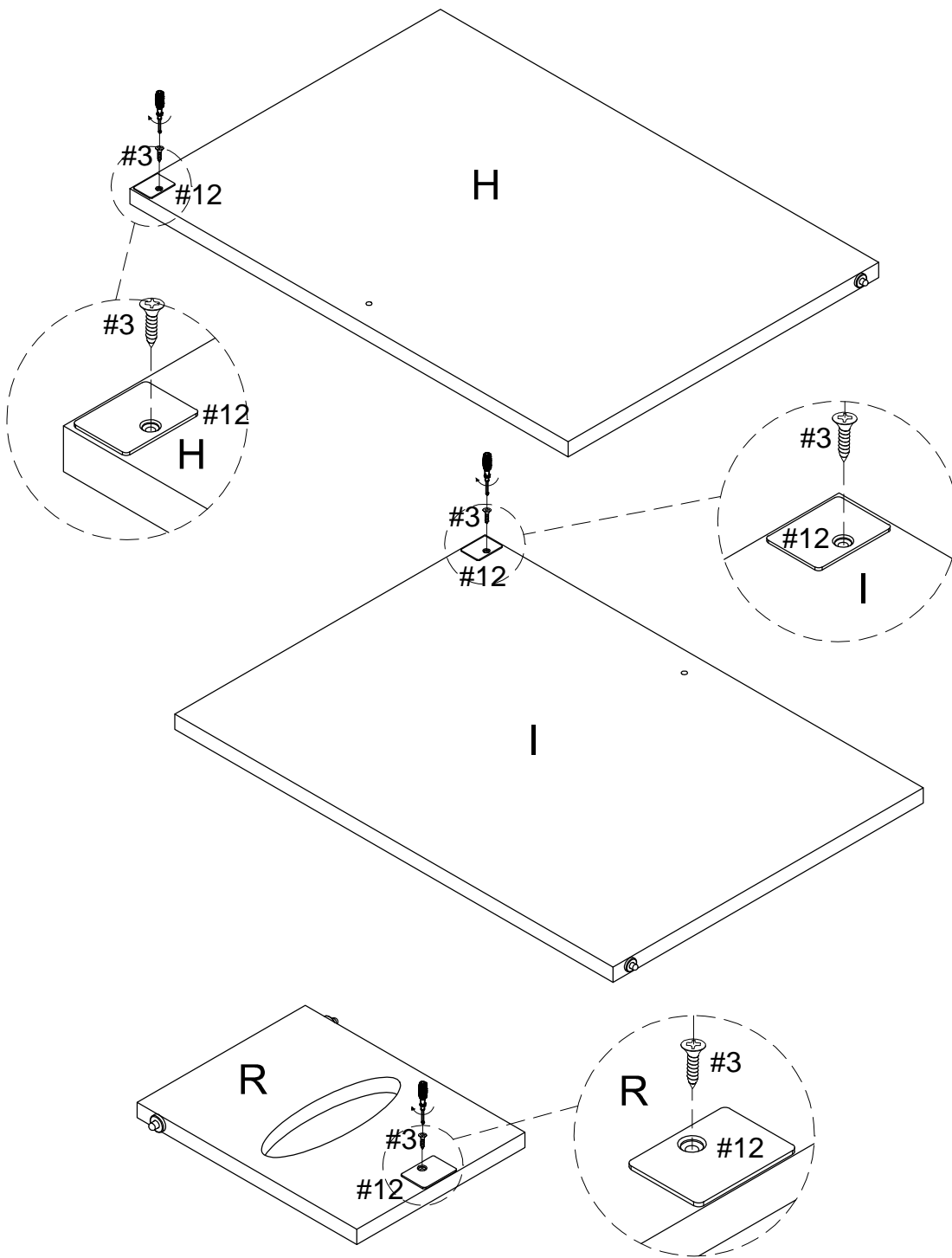
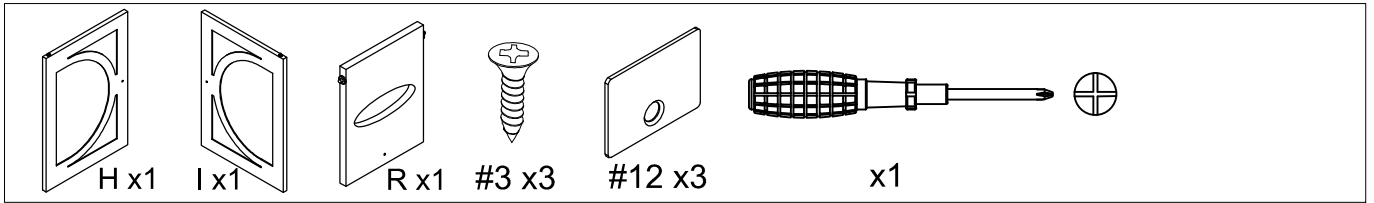
Step 11.



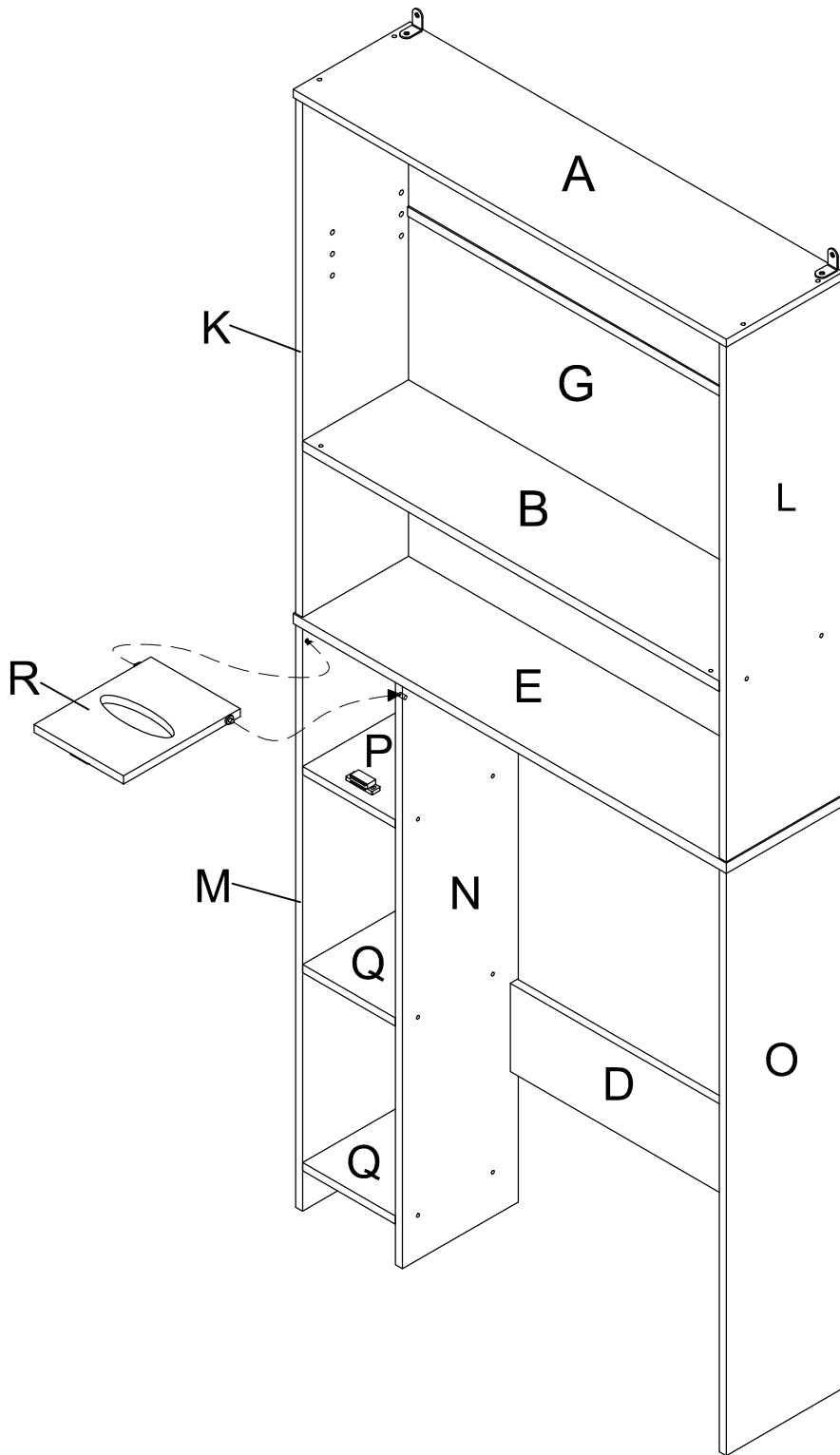
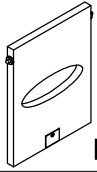
Step 12.



Step 14.



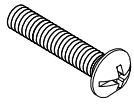
Step 15.



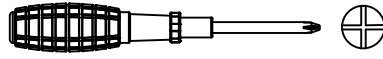
Step 17.



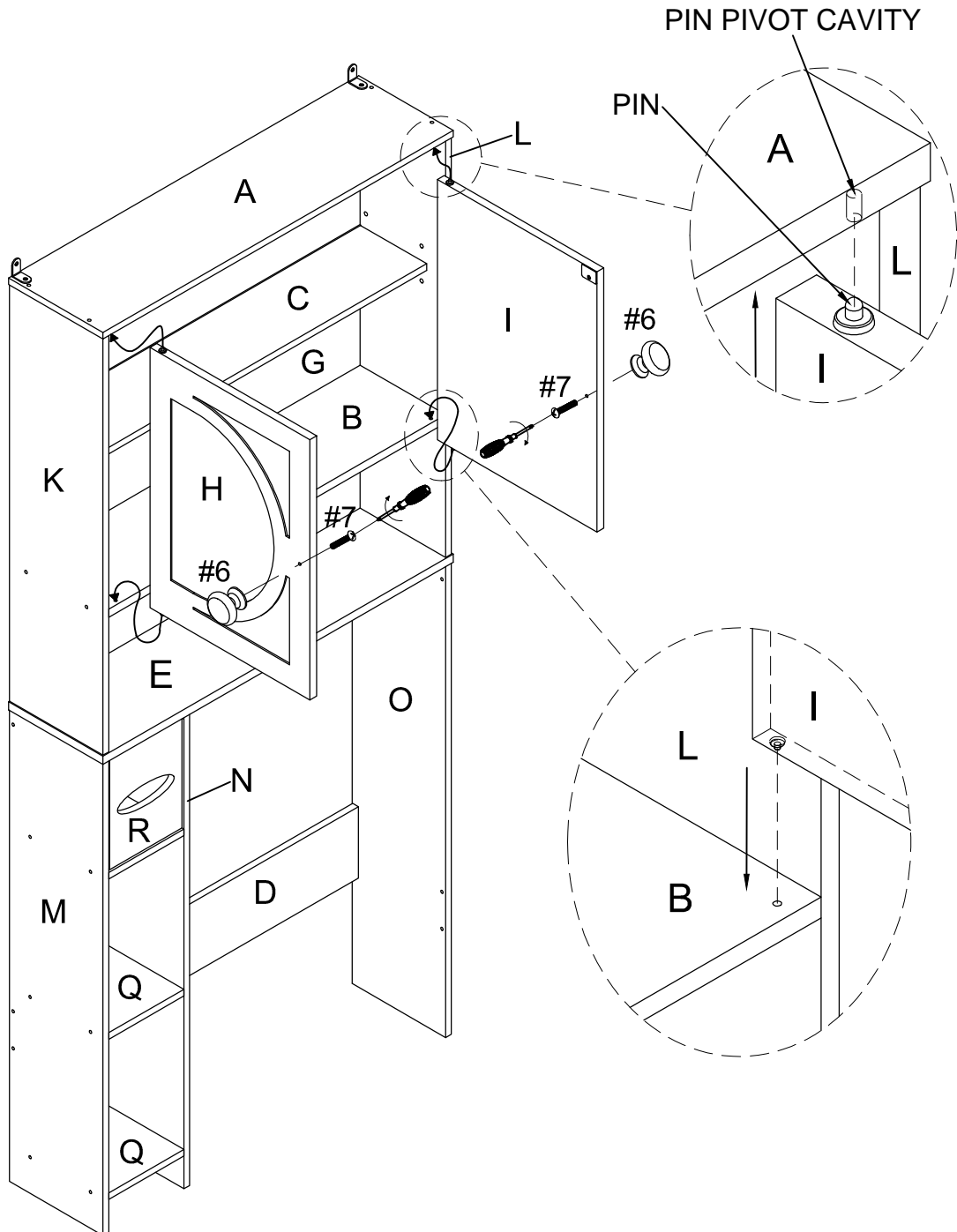
#6 x2



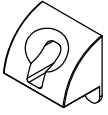
#7 x2



x1



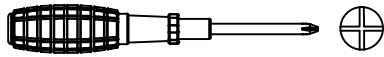
Step 18.



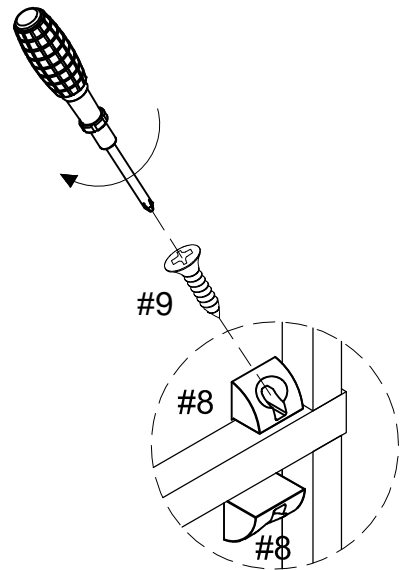
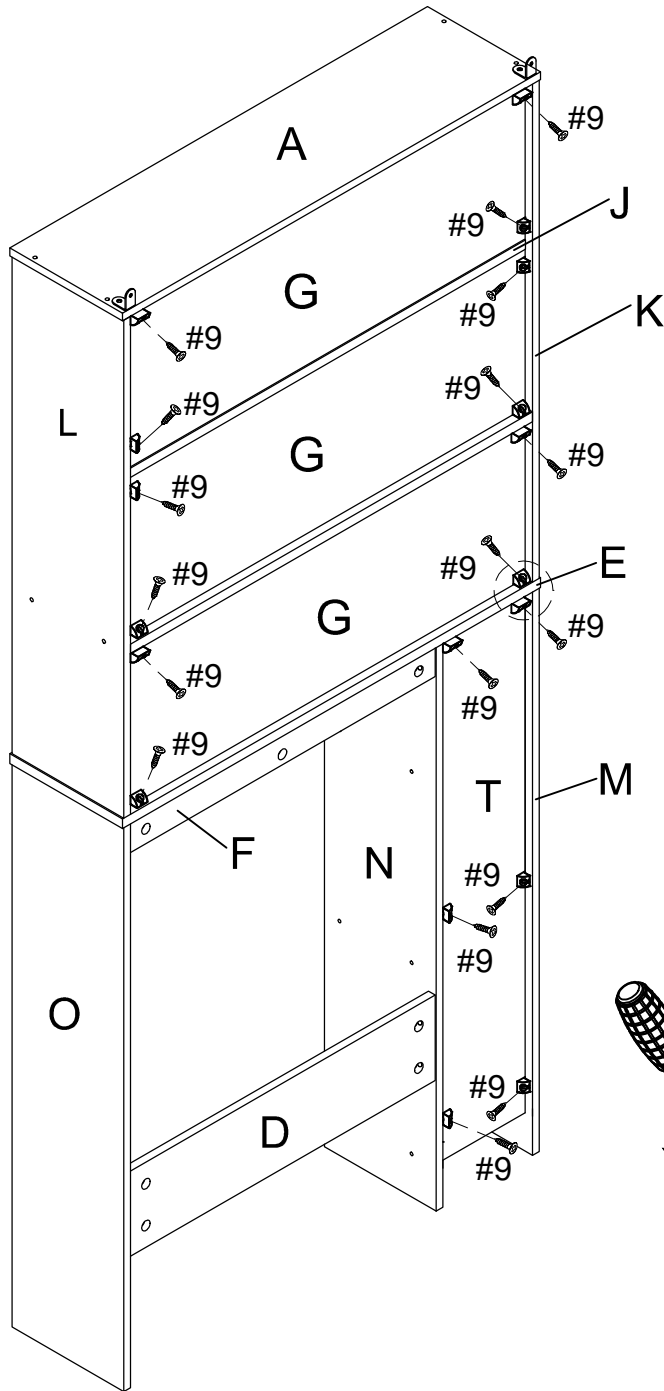
#8 x18



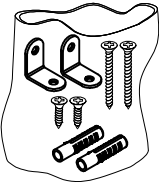
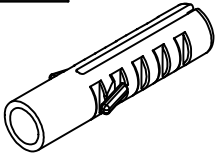

#9 x18



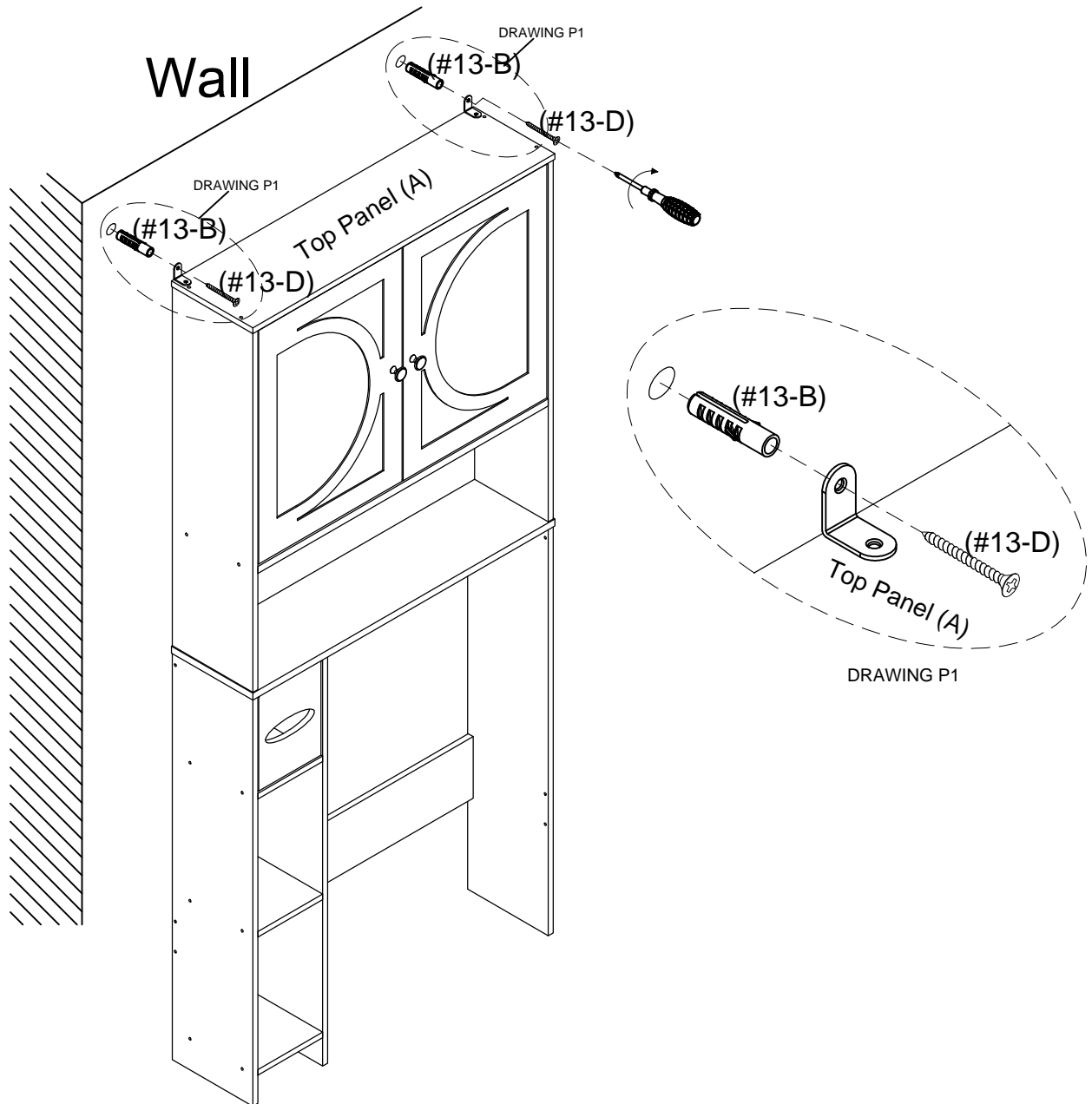
x1



Step 19.

| | | |
|---|---|--|
| #13  | #13-B  | #13-D  Ø4*40mm Long Screw |
| Safety Strap Kit 1 SET | Wall Anchor 2 PCS | Long Screw 2 PCS |

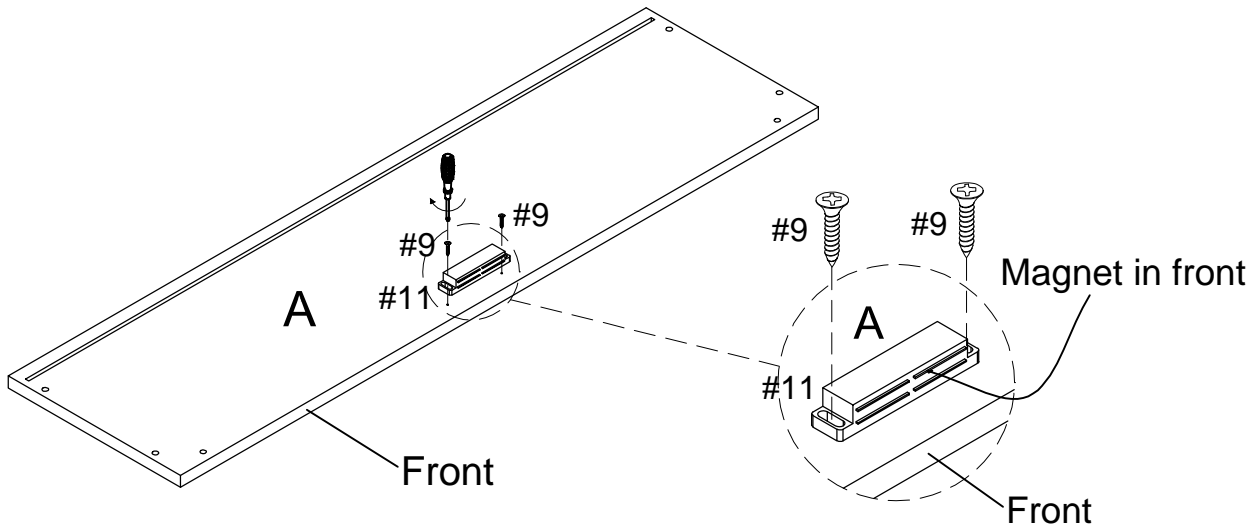
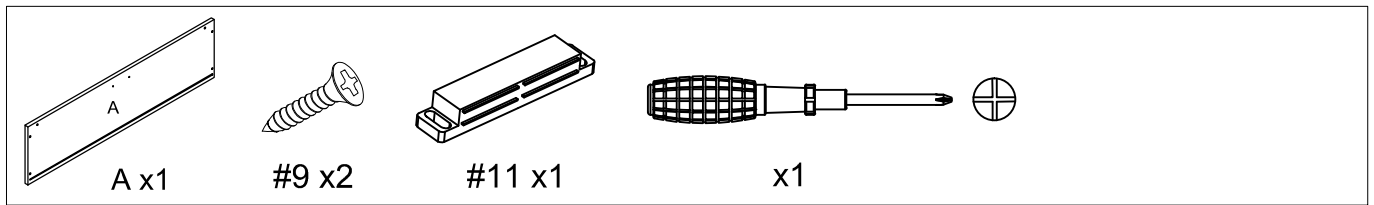
Safety strap kit (#13) must be installed to prevent tipping, damage and/or injury.



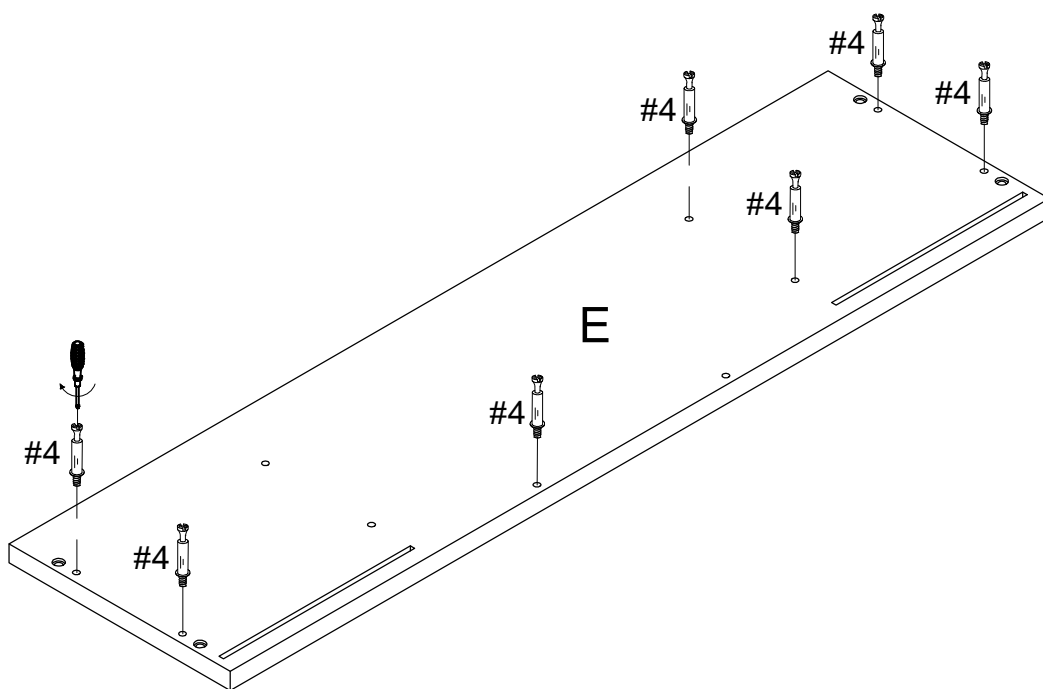
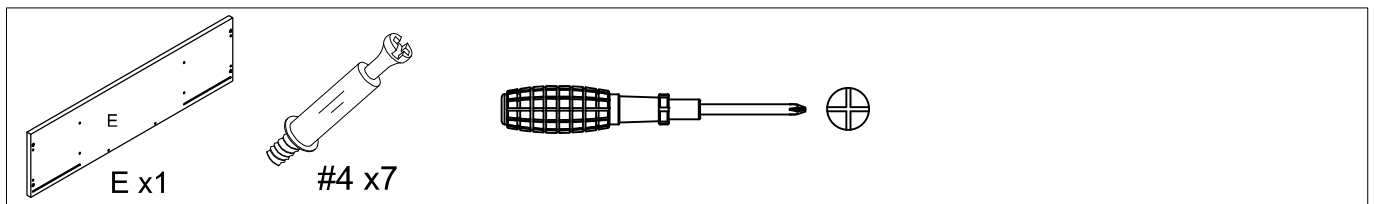
The assembly of the cabinet is complete.

Step 20 - Step 38, Right cabinet assembly instruction.

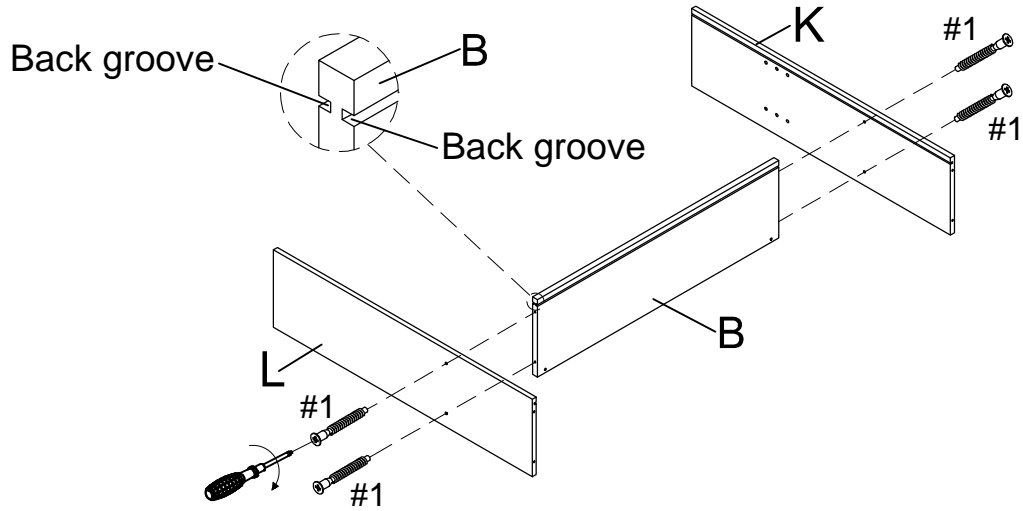
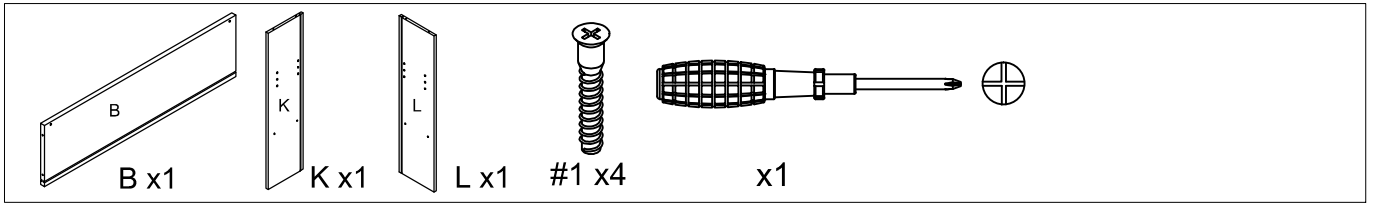
Step 20.



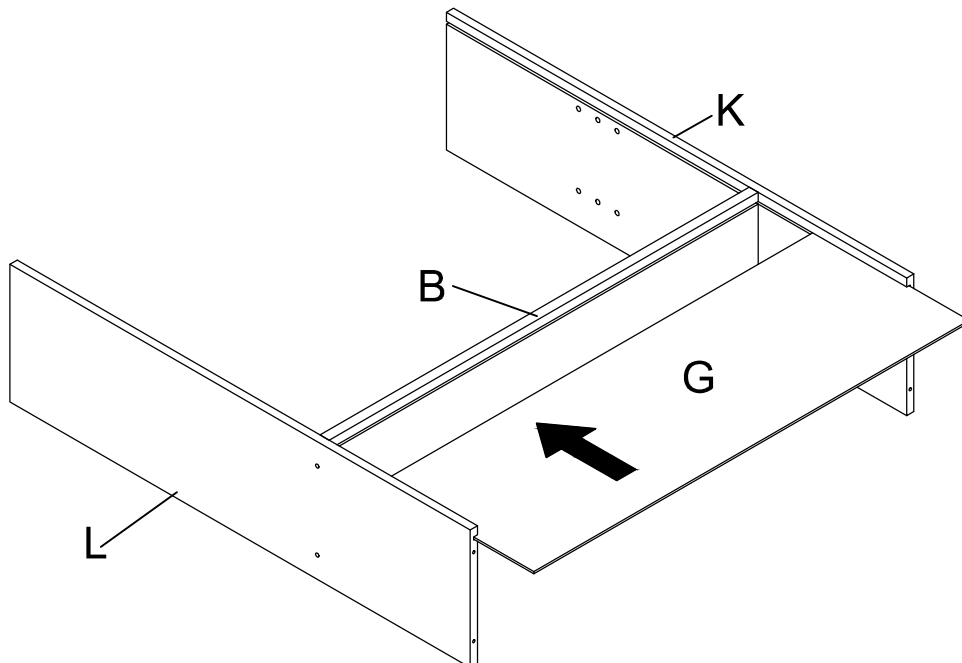
Step 21.



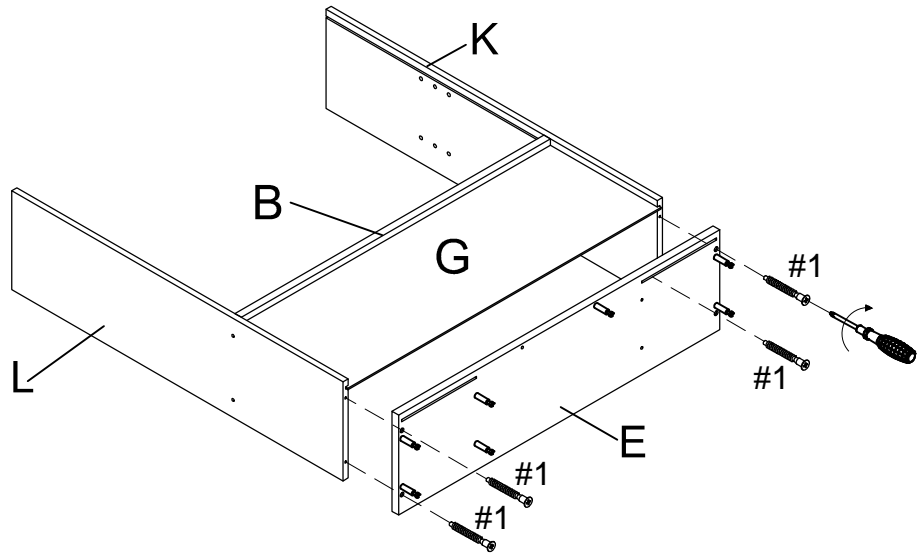
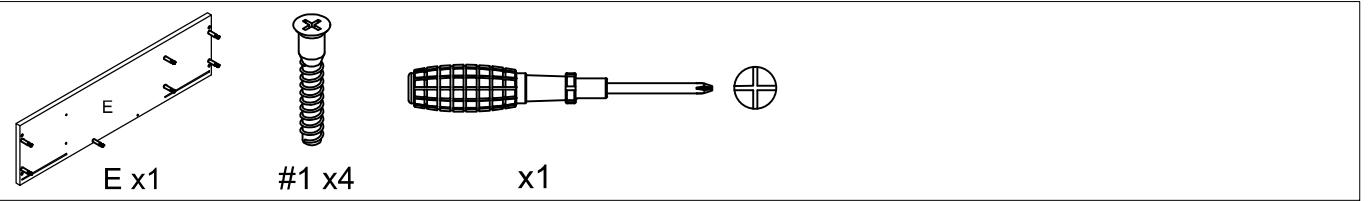
Step 22.



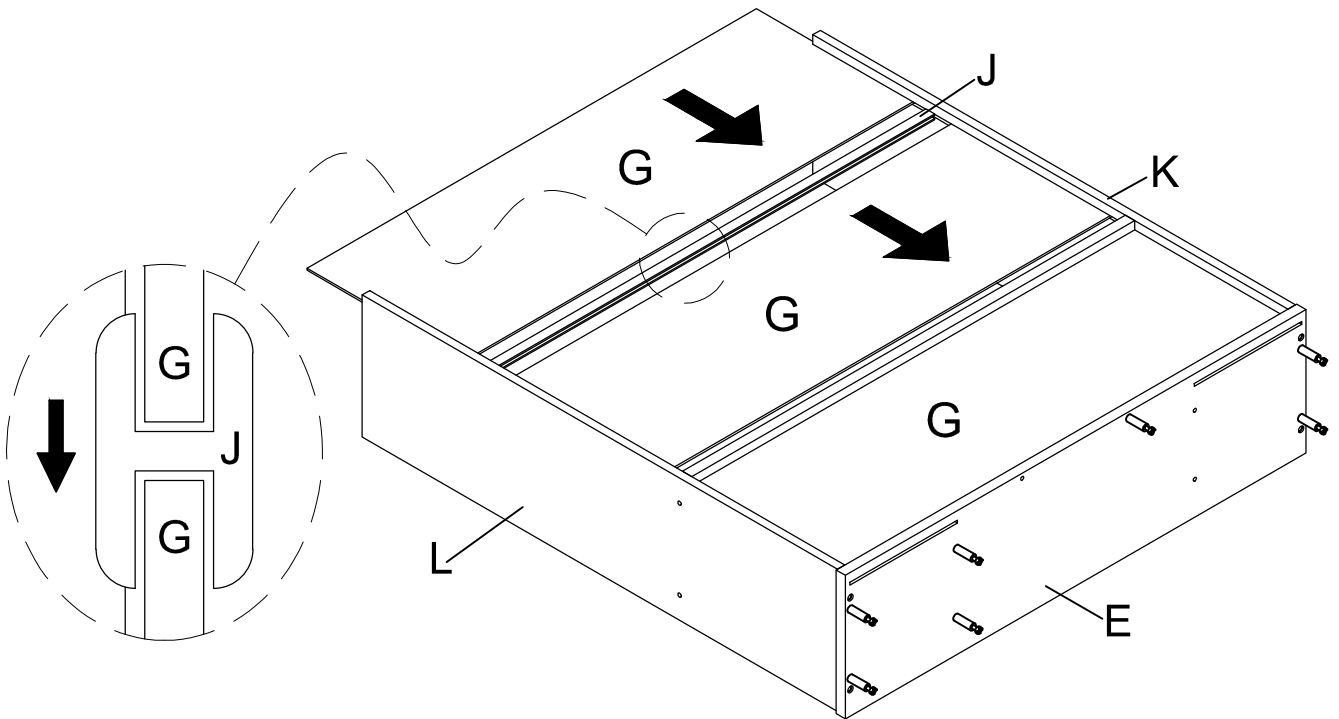
Step 23.



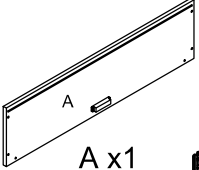

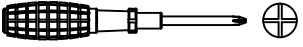
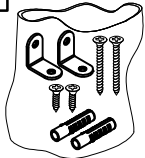

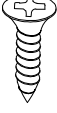
Step 24.

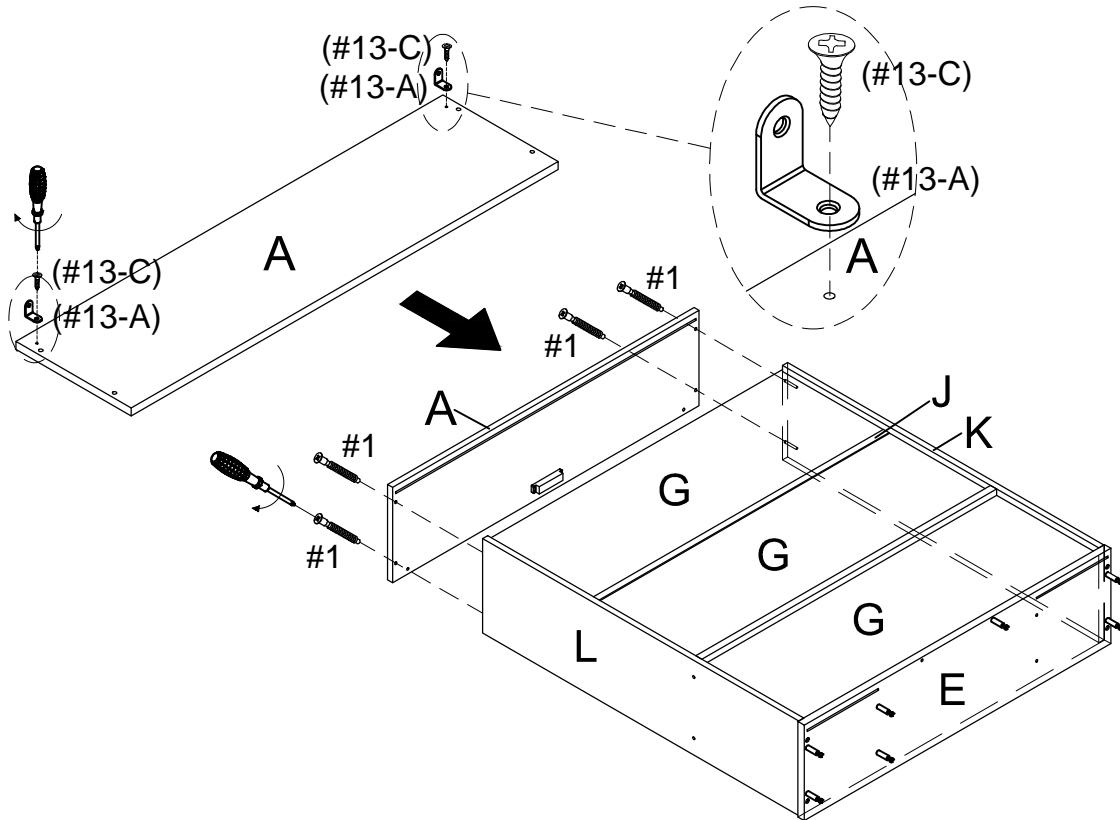


Step 25.

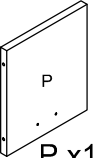

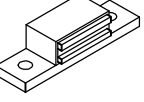
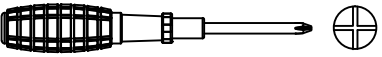


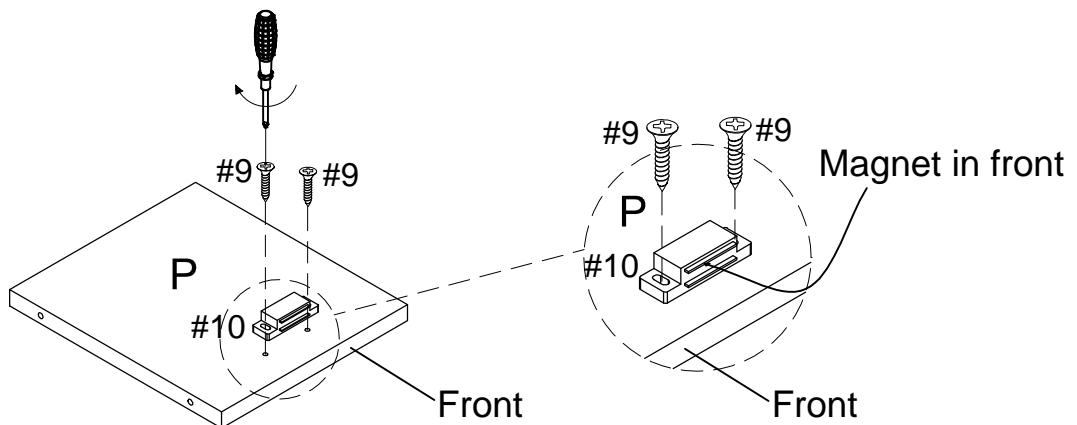
Step 26.

| | | | | |
|---|--|---|--|---|
|  <p>A x1</p> |  <p>#1 x4</p>  <p>x1</p> | <p>#13</p>  <p>Safety Strap Kit</p> <p>1 SET</p> | <p>(#13-A)</p>  <p>30*30*2mm</p> <p>Angel Iron</p> <p>2 PCS</p> | <p>(#13-C)</p>  <p>Ø3.5*15mm</p> <p>Short Screw</p> <p>2 PCS</p> |
|---|--|---|--|---|

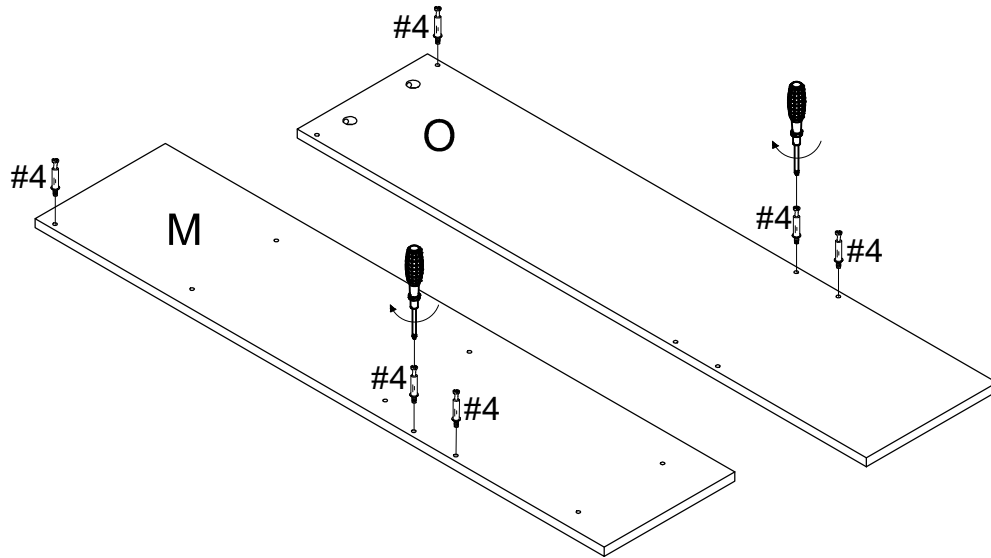
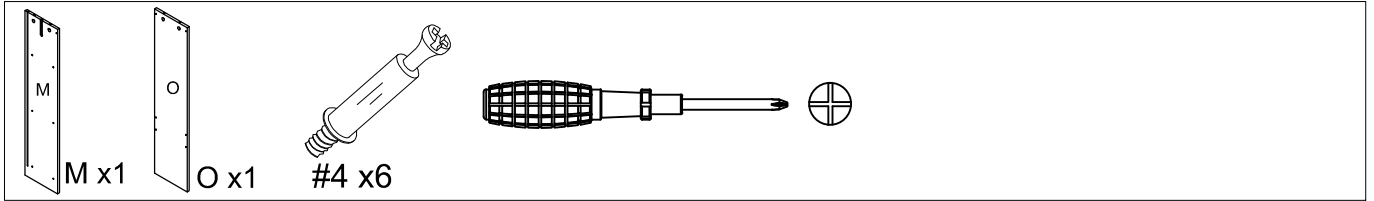


Step 27.

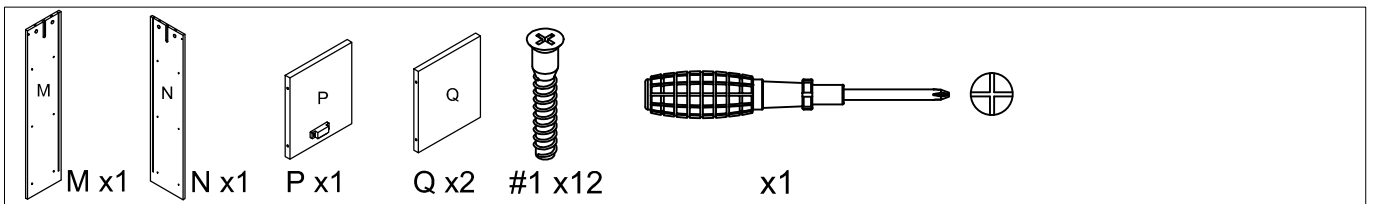
| | | | |
|---|--|---|--|
|  <p>P x1</p> |  <p>#9 x2</p> |  <p>#10 x1</p> |  <p>x1</p> |
|---|--|---|--|



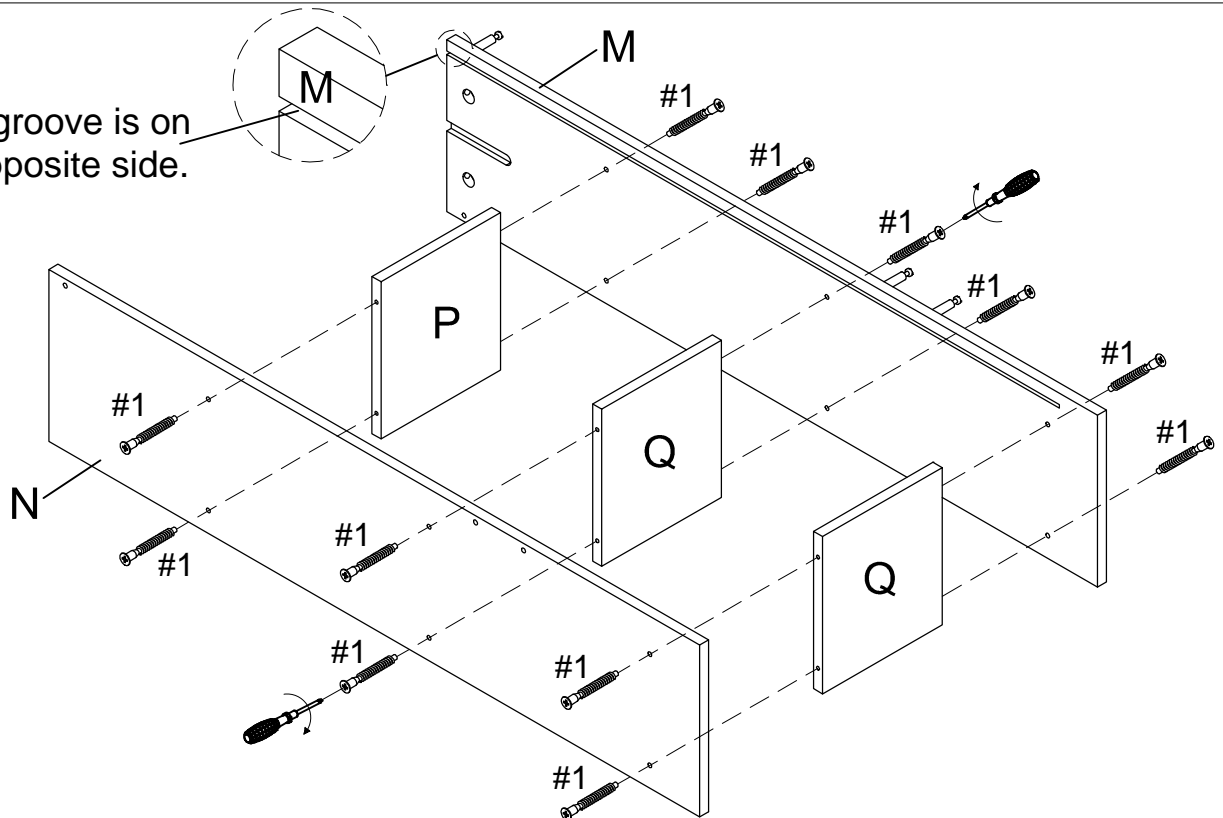
Step 28.



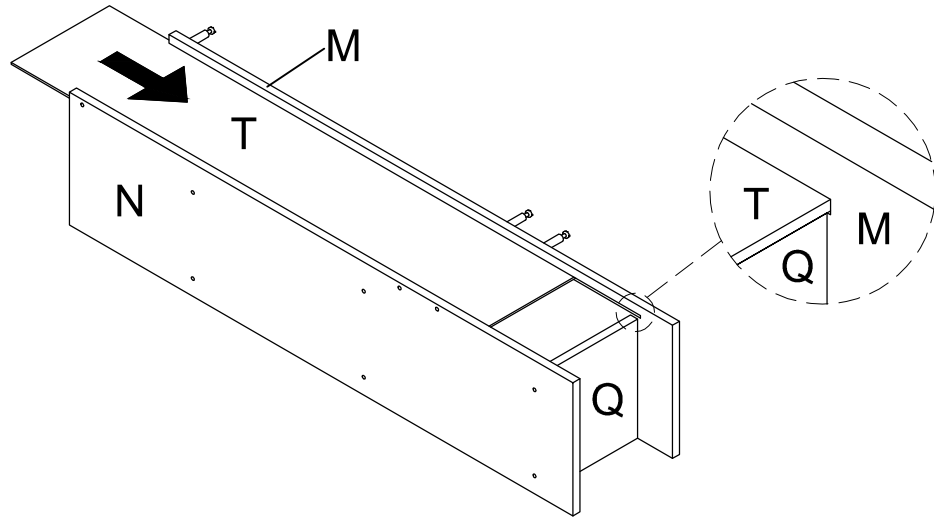
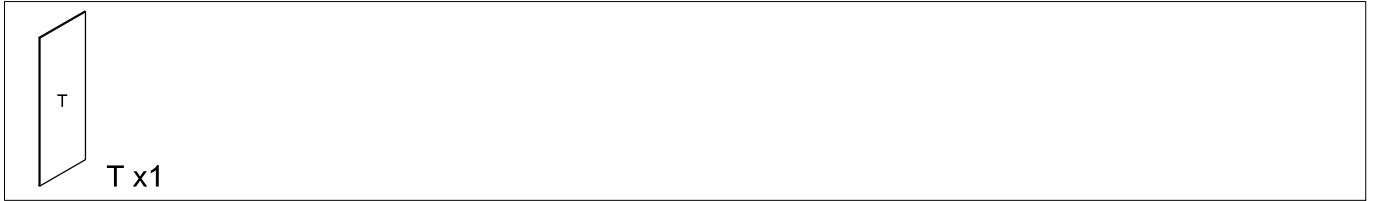
Step 29.



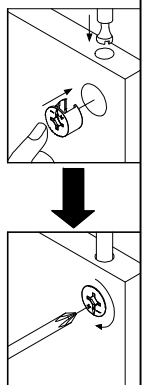
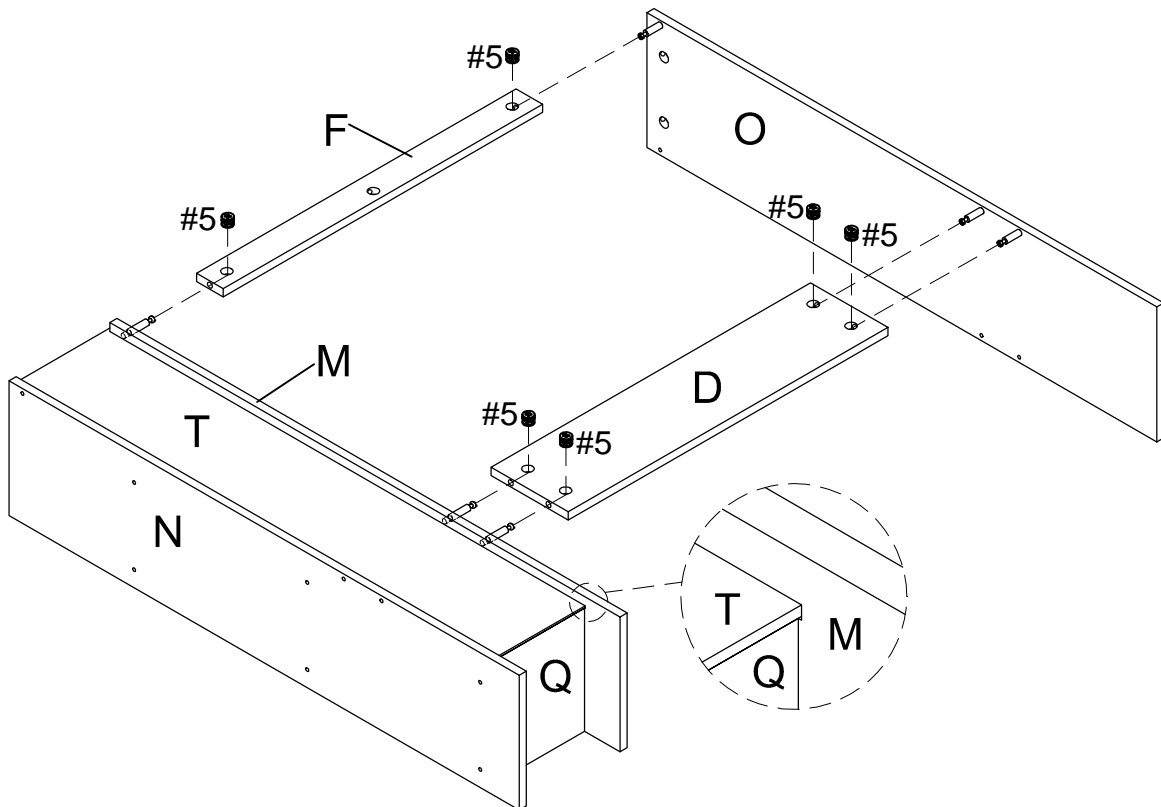
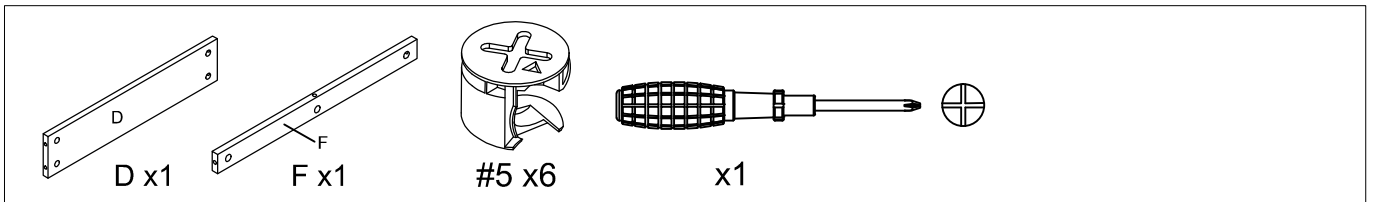
Back groove is on the opposite side.



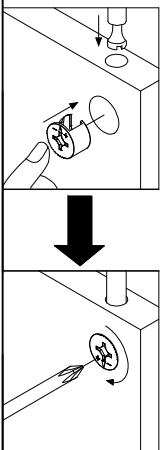
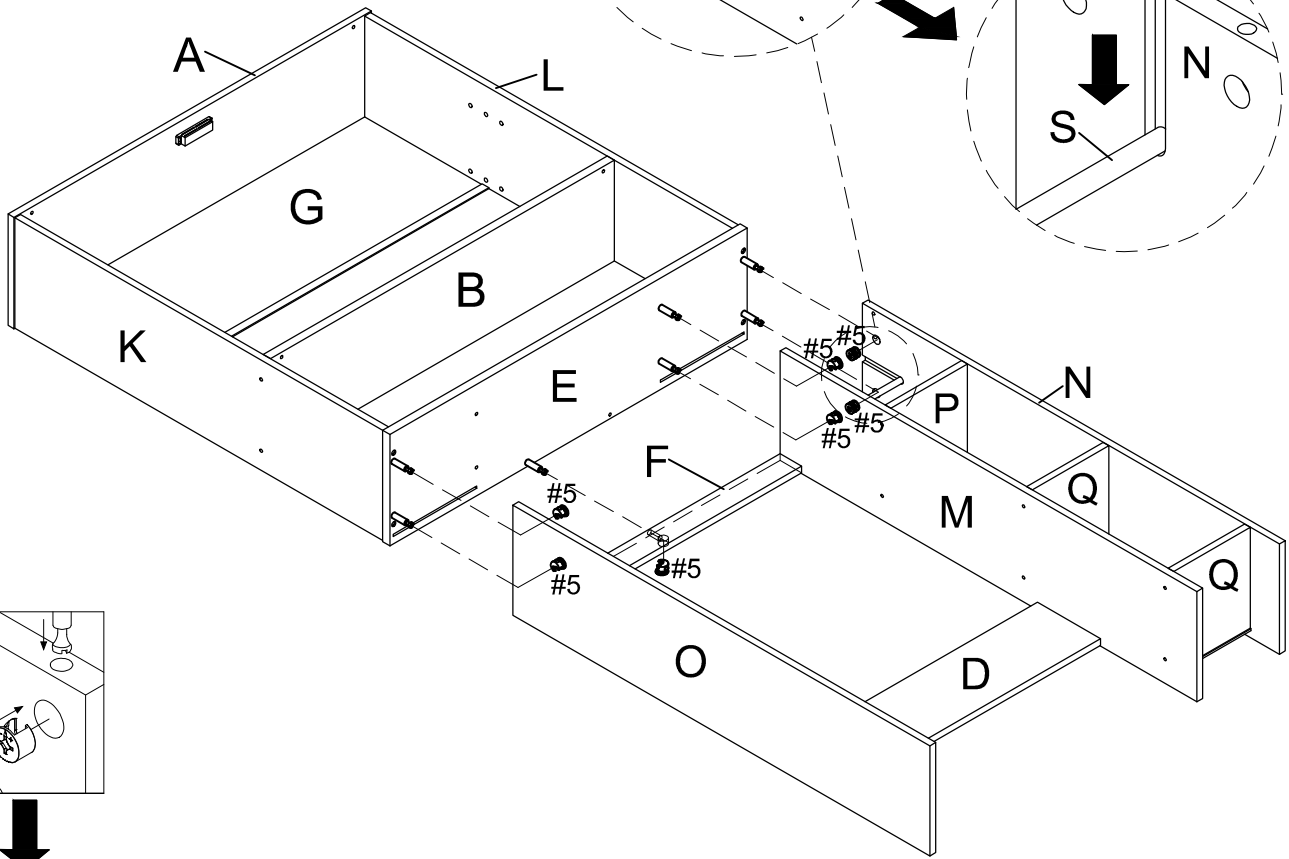
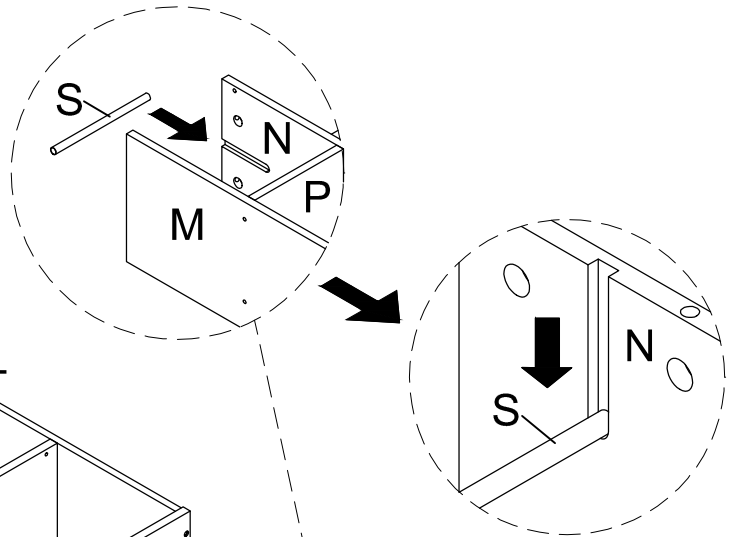
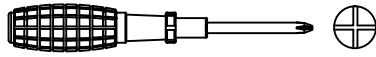
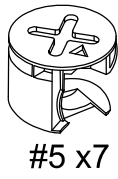
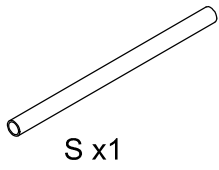
Step 30.



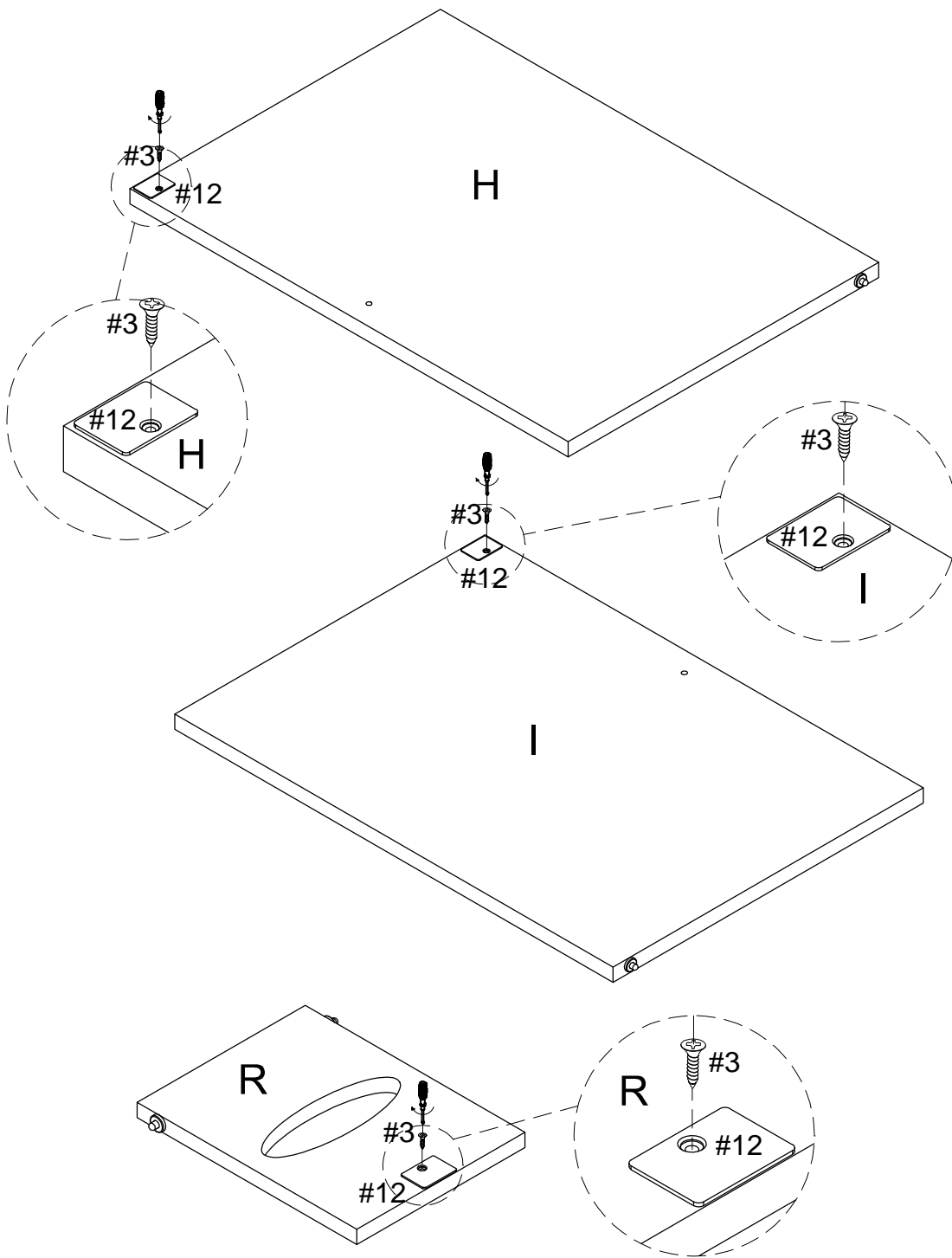
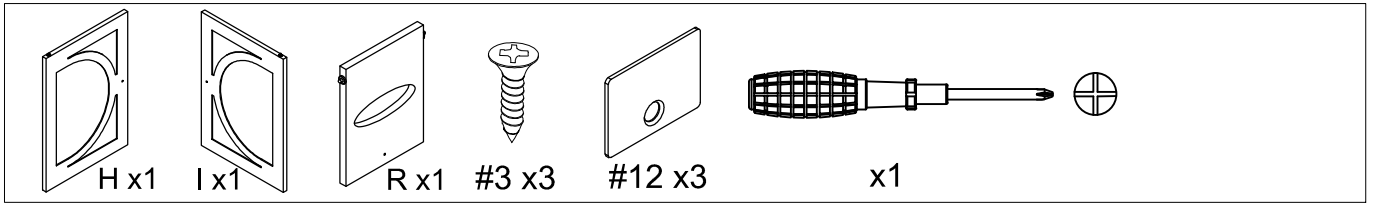
Step 31.



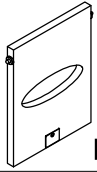
Step 32.



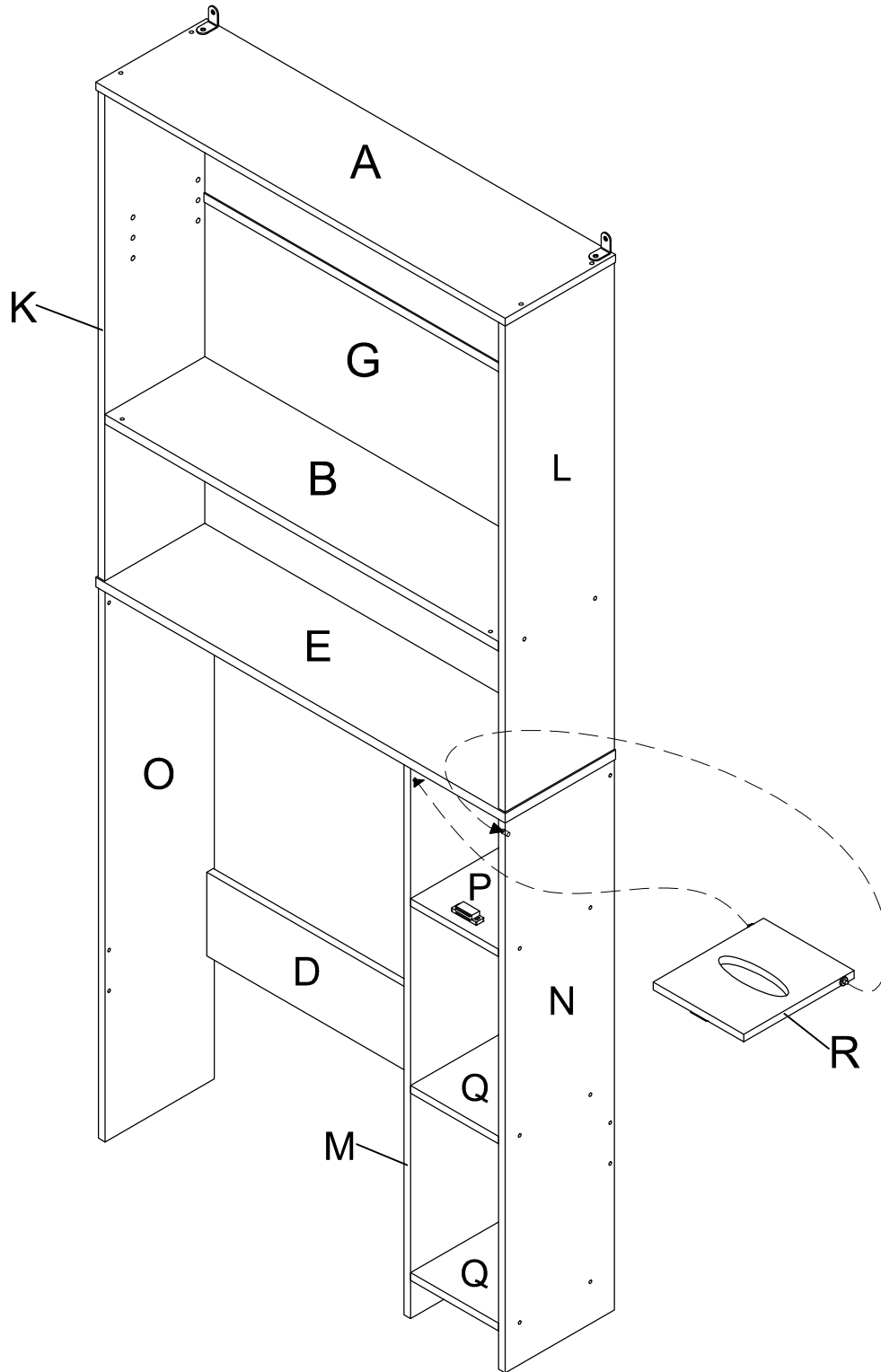
Step 33.



Step 34.



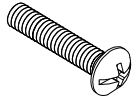
R x1



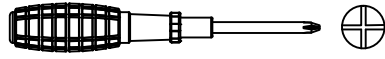
Step 36.



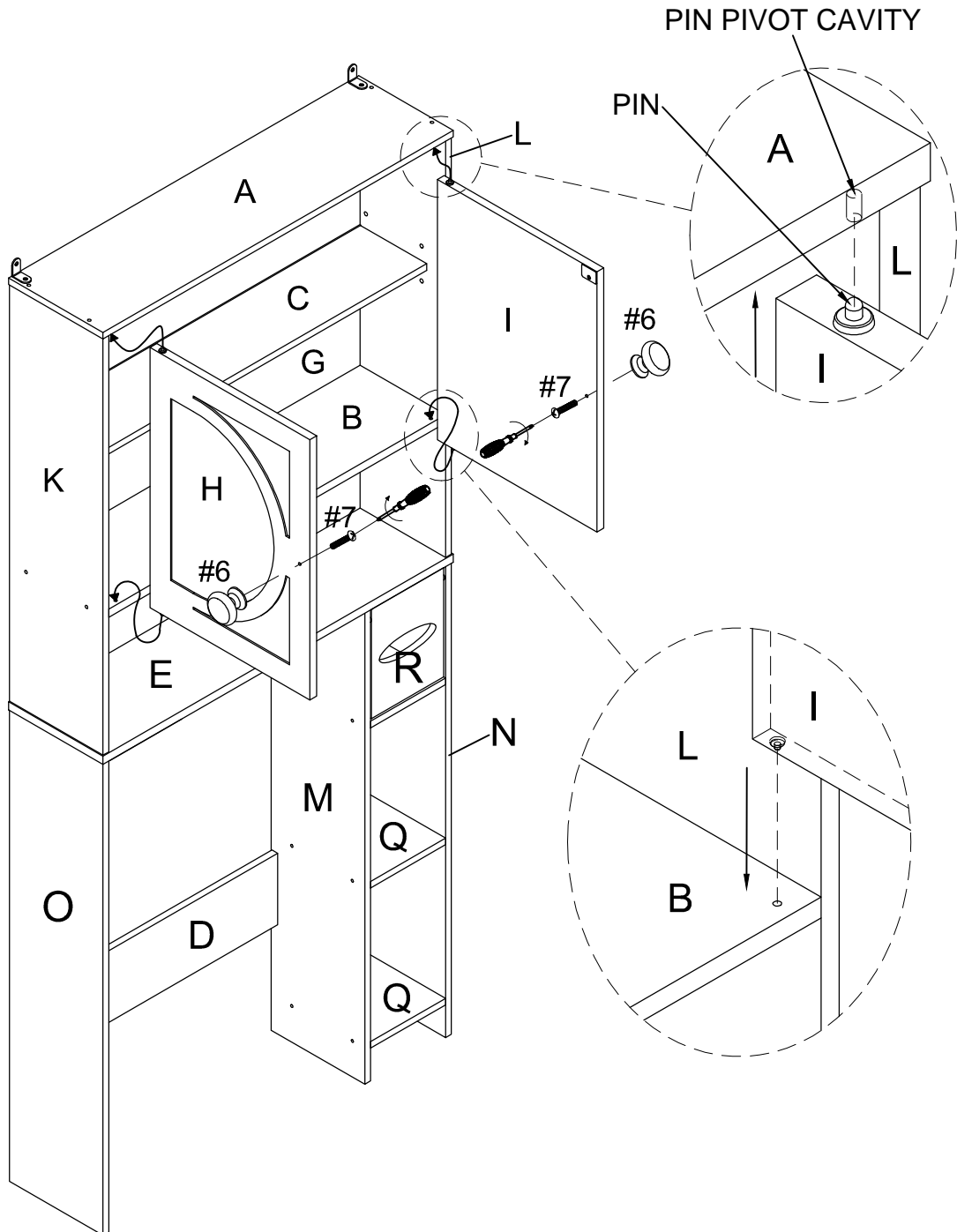
#6 x2



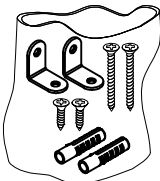
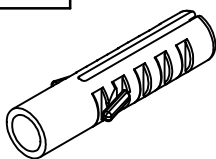
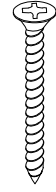
#7 x2



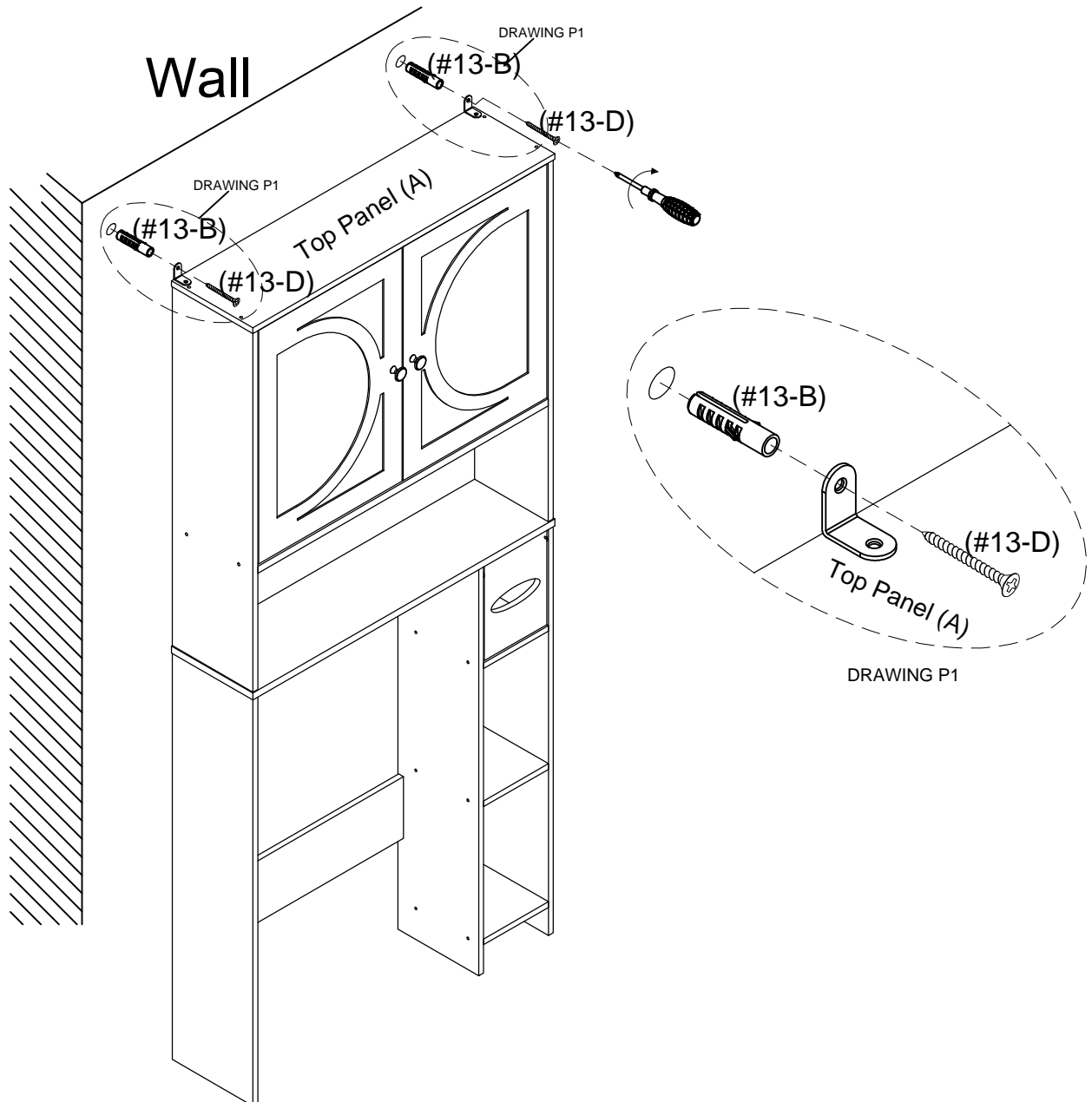
x1



Step 38.

| | | |
|---|---|--|
| #13  | #13-B  | #13-D  Ø4*40mm Long Screw |
| Safety Strap Kit 1 SET | Wall Anchor 2 PCS | Long Screw 2 PCS |

Safety strap kit (#13) must be installed to prevent tipping, damage and/or injury.



The assembly of the cabinet is complete.

Warning:

Seller is responsible for the product-related issues occurred upon receipt, but will not be responsible for the personal injury, property damage or loss resulting from the incorrect assembly, improper use, inadequate maintenance or neglect of this product.