



# Ceiling Fans with Lights

## READ AND SAVE THESE INSTRUCTIONS



**Model No: A5013**

### **CONTACT INFORMATION**

Feel free to reach out to us if you encounter any issue when using our products.

**E-mail: [asyko1688@163.com](mailto:asyko1688@163.com)**

# SAFETY PRECAUTIONS

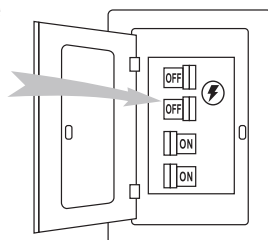
The information contained in the following pages has been prepared to ensure your maximum enjoyment of your fan.

Please remove the fuse or turn off the circuit breaker to cut off the power before installing the fan. Ensure all electrical connections are in compliance with local laws, regulations and national electrical codes. If you are not familiar with electrical installation and wiring, please hire a qualified electrician or consult the wiring manual.

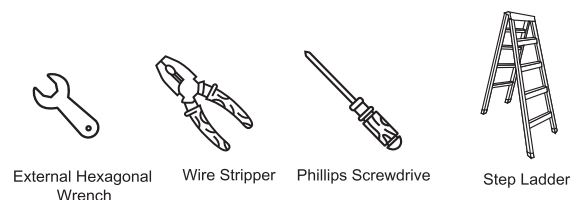
1. For your safety, all electrical connections and disconnections should be performed by a qualified electrician.
2. Any action performed for the electrical connection of the device must be carried out after ensuring that the general power supply is disconnected, by removing the corresponding fuse or disarming the protective switch in order to ensure total isolation of the power supply.
3. When deciding where to mount the fan, be sure that there is at least 30 inches (76 cm) of space between the fan and any wall or other obstruction that the fan blades could collide with. The greater this distance, the more effective the air flow produced. After the fan is mounted, be sure that the blades are no less than 7ft (2.1 m) above the ground.
4. The anchor point for the fan must be able to support a weight of at least 100 pounds (45 kg). If mounting on a ceiling junction box, be sure that the fan is adequately supported to prevent loosening or turning.
5. The fan's electrical connection must be grounded (the fan's ground cable connected to the installation's grounding network) in order to avoid any branching that may be dangerous to people.
6. Do not connect the fan's power supply to any dimmers, potentiometers, or light switches, as it will damage the motor. The fan must be directly connected to a properly protected installation circuit (magnetothermal differential switch with the adequate size for the fan's consumption and technical specifications). Only use the fan's control to turn it on or stop it.
7. It is recommended to not use these types of fans along with gas installations simultaneously in the same room.
8. The fan must be not be moving and must have come to a complete stop before changing its direction of rotation. This will prevent damage to its motor and to the control unit, when applicable.
9. Do not insert anything that could hit the fan's blades into its pathway while it is moving, as this could cause damage to people, can damage the blades, and can offset the balance of the unit, causing vibrations and wobbling.
10. After installing the fan, ensure that all fastenings are secure and tightened in order to avoid any noise caused by loose elements.
11. Due to the fan's movement, certain fastenings may become loose. Check all fastenings twice per year at a minimum in order to ensure that they are sufficiently tight. If necessary, they must be retightened.
12. The motor housing can be cleaned with a soft brush or a lint-free cloth to avoid scratching the surface. Clean the blades with a lint-free cloth. Important: Turn off the main power supply before starting any maintenance. Do not clean the fans with water or a damp cloth.

## BEFORE YOU START

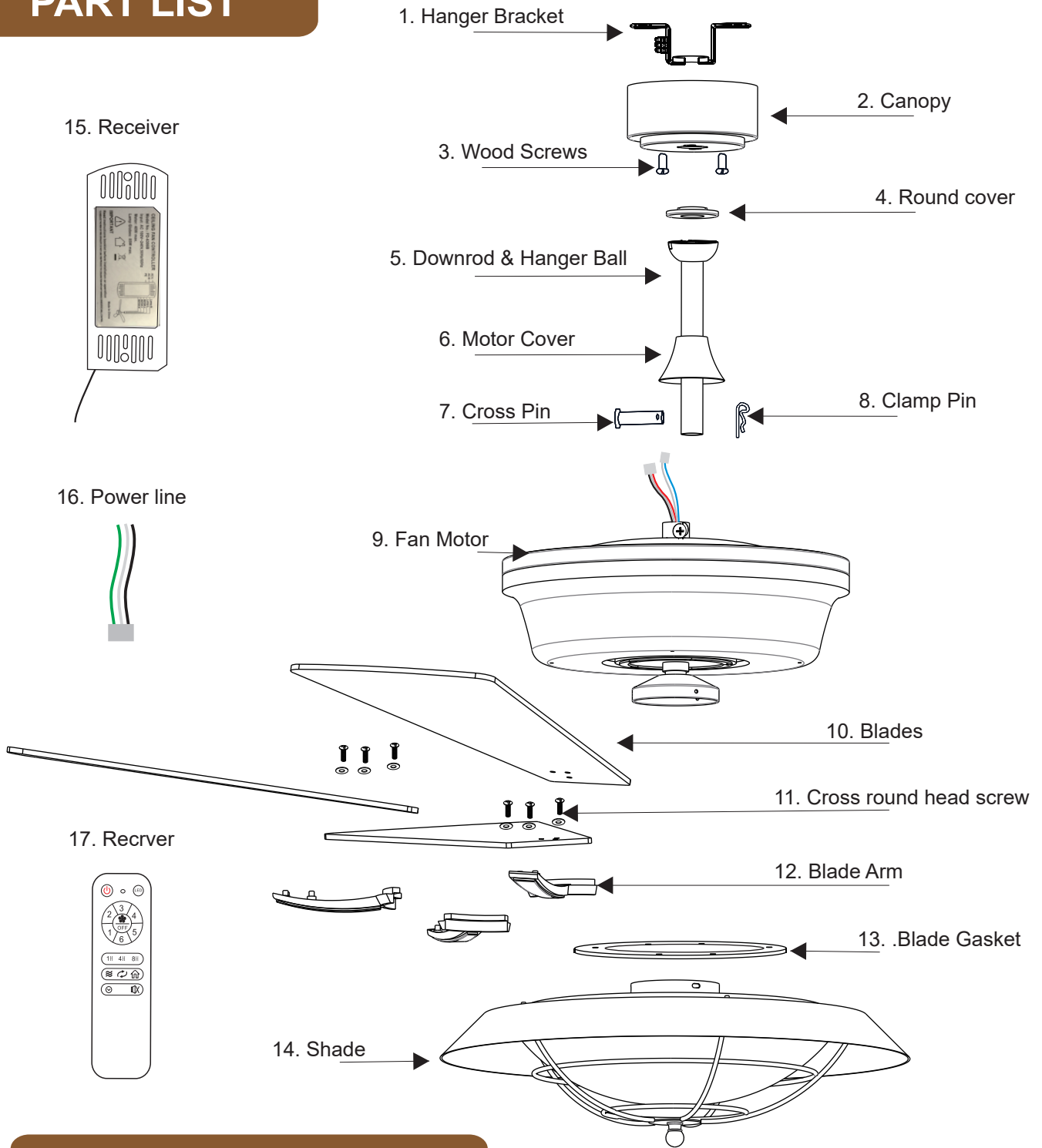
Contact a licensed electrician if you are not good at performing electrical work. If required by the local code. Do not use the fan with a dimmer switch. Turn off power at breaker



### Tools and Materials Required



# PART LIST



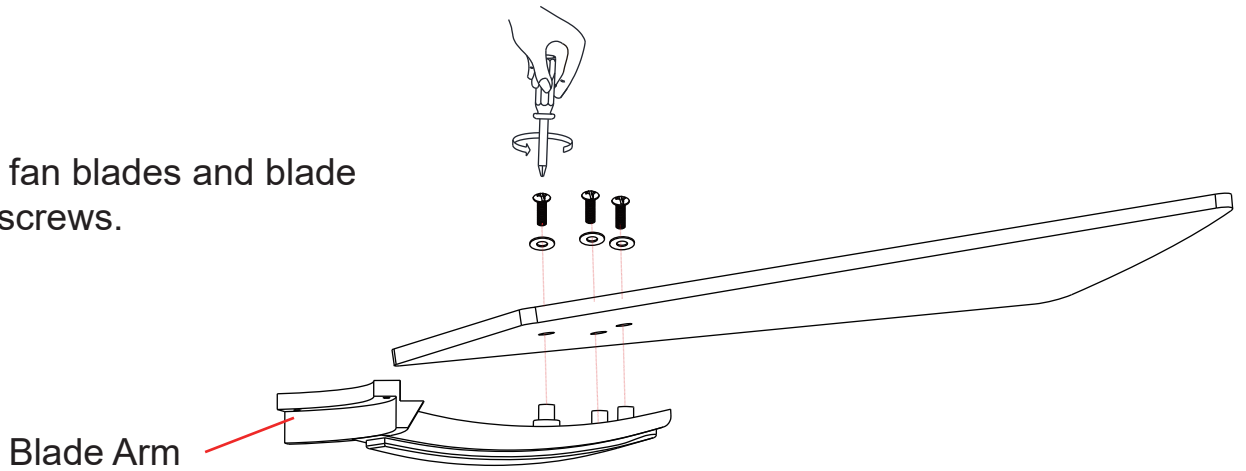
# SCREWS BAG

Item no.	Reference Image	Qty.
1	 ST5x35 Setscrew	×4
2	 Expansion Screw	×2
3	 Screws for Blades	×13

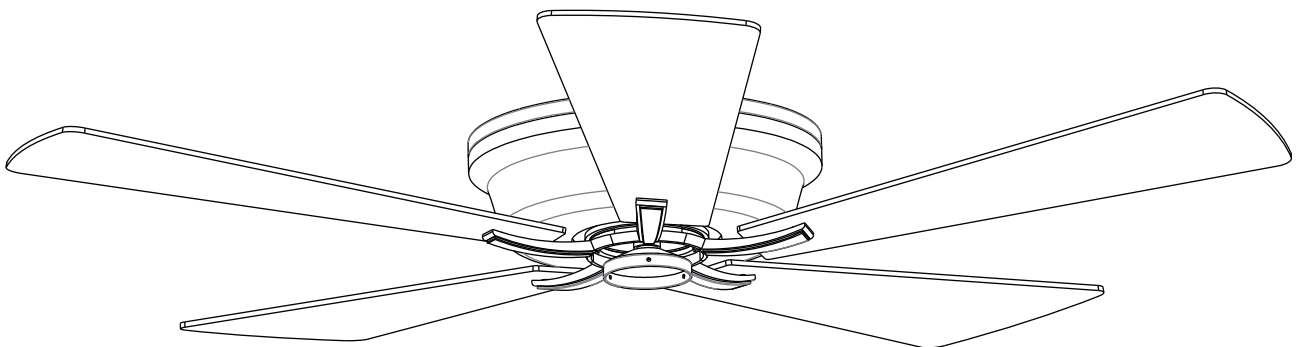
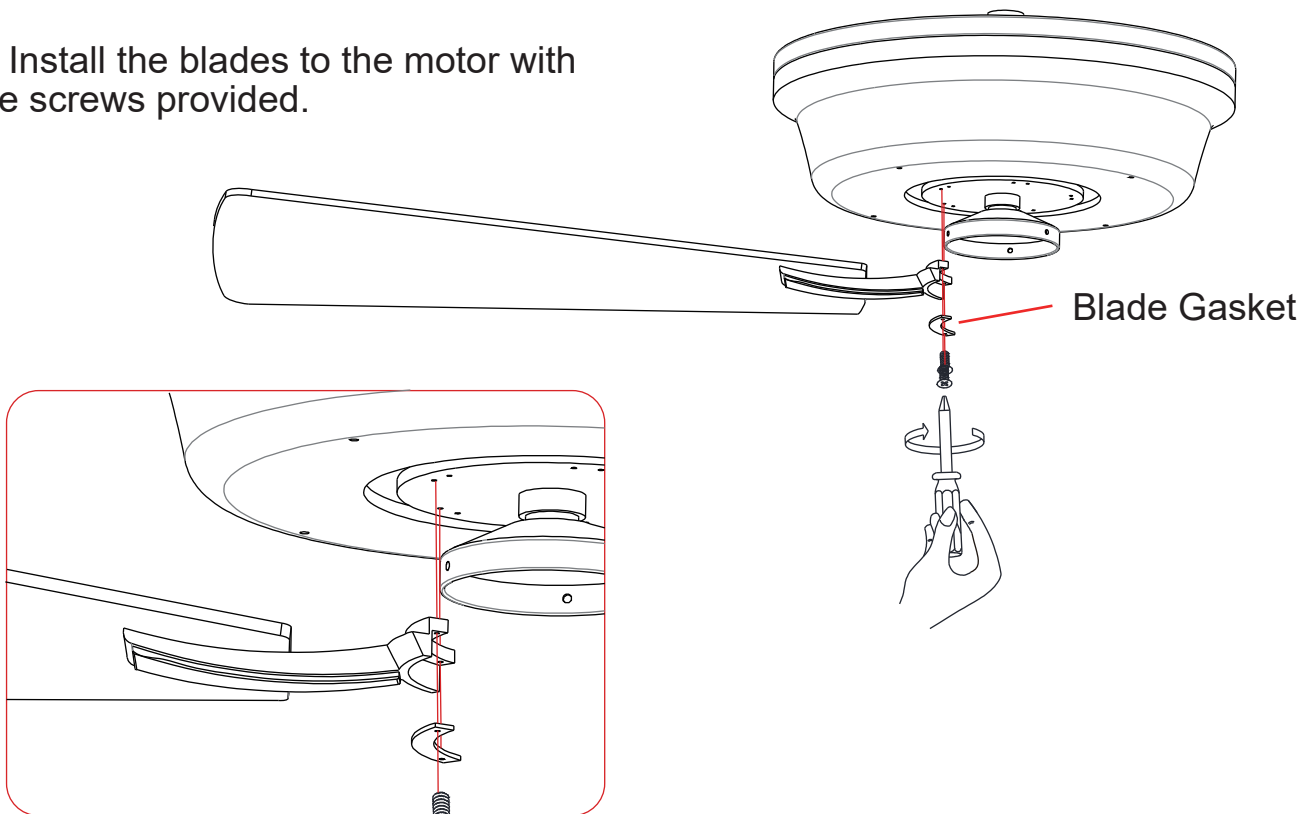
Item no	Reference Image	Qty.
4	 Wire Cap	×2
5	 Balance Pack	×1
6	 Fabric Washer	×13

# GROUND ASSEMBLY

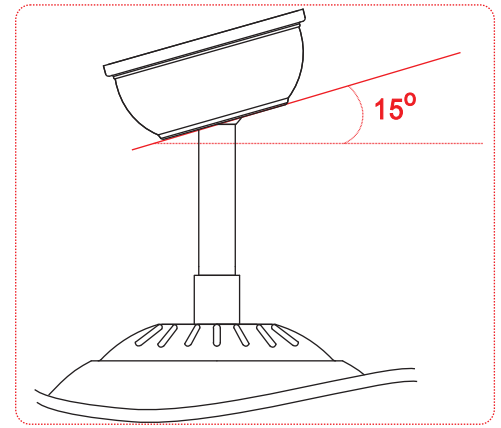
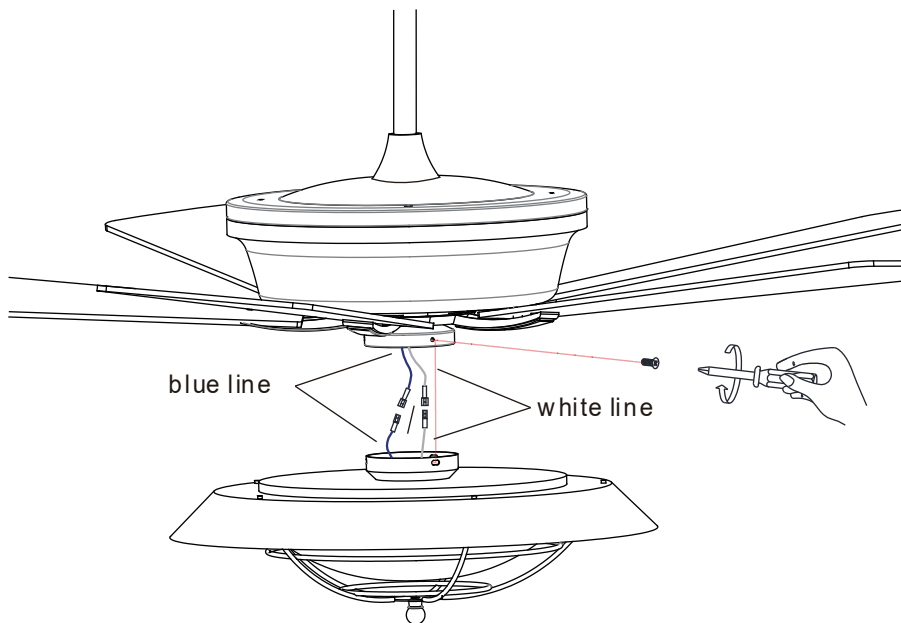
1. Fix the fan blades and blade arm with screws.



2. Install the blades to the motor with the screws provided.



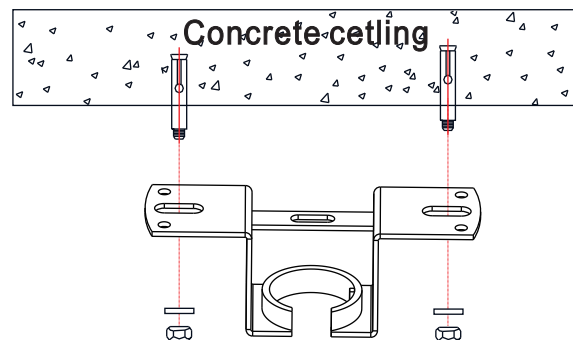
## INSTALL THE LAMPSHADE



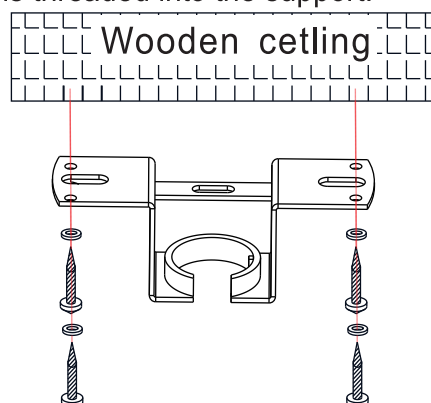
## INSTALLING THE MOUNTING BRACKET

The ceiling fan must be installed in the location where there is 12"(300mm) spacing from the tips of all blades to the nearest objects or walls. REMEMBER to turn off the power before hanging the fan. Follow the instruction below to hang your fan properly:

1. For concrete ceiling, drill two holes in the ceiling and secure the mounting bracket to the ceiling with two  $\Phi 0.32"$ (8mm) (distance between the two holes should be appropriate) expansion screws, flat washers nuts provided and tighten with a spanner.

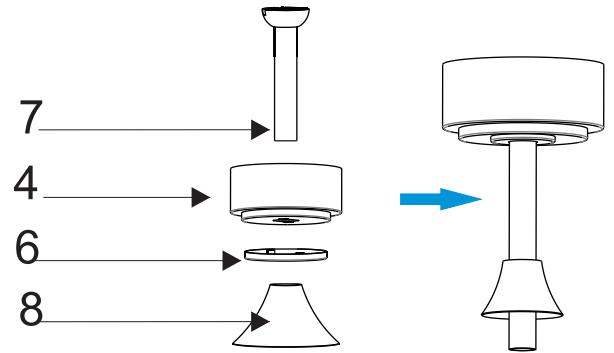


2. For wood ceiling, secure the mounting bracket to the ceiling that is capable of carrying a load of at least 100lbs (45kgs) with two long mounting screws and washers provided. Be sure at least 0.12"(30mm) of the screw is threaded into the support.



# ASSEMBLY DRAWING

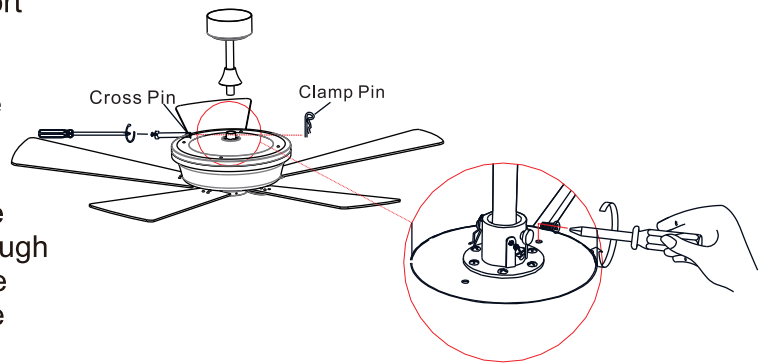
3. Remove and save the clevis pin and hairpin of the downrod. Put the downrod through the canopy and coupling cover.



4. Loosen two set screws on the downrod support and then place the downrod into the downrod support. Thread the electrical wires and the earth wire through the downrod.

Align the Clevis Pin holes in the Downrod with the holes in the Downrod Support. Be sure to push the straight leg of the Hairpin Clip through the hole near the end of the Clevis Pin until the curved portion of the Hairpin snaps around the Clevis Pin.

Finally, re-tighten the two set screws.



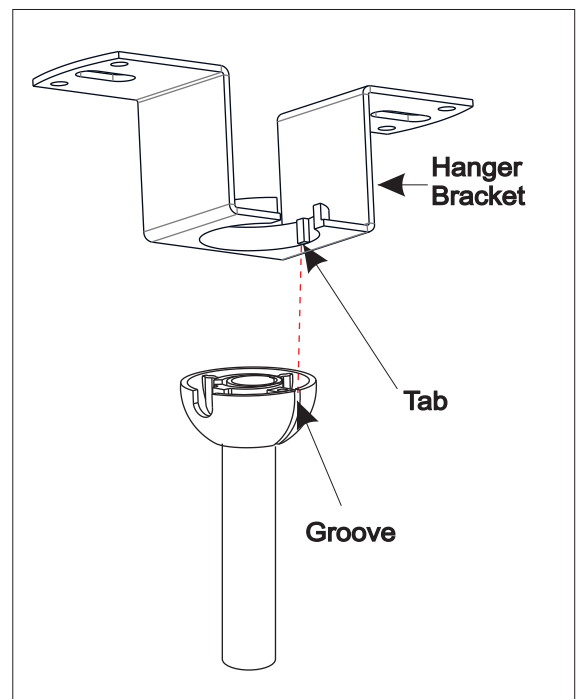
## WARNING

*It is critical that the clevis screw in the downrod support is properly installed and the set screws are securely tightened. Failure to verify the clevis screw, hairpin clip and set screws are properly installed could result in the fan falling.*

5. Carefully lift the fan, and set the downrod / hanger ball assembly on the hanger bracket attached to the ceiling joist. Be sure the groove in the ball is properly aligned with the tab on the hanger bracket.

## WARNING

*The fan must be hung with at least 230 cm of clearance from floor to blades.*



# HOW TO INSTALL THE FAN-WITH LIGHT

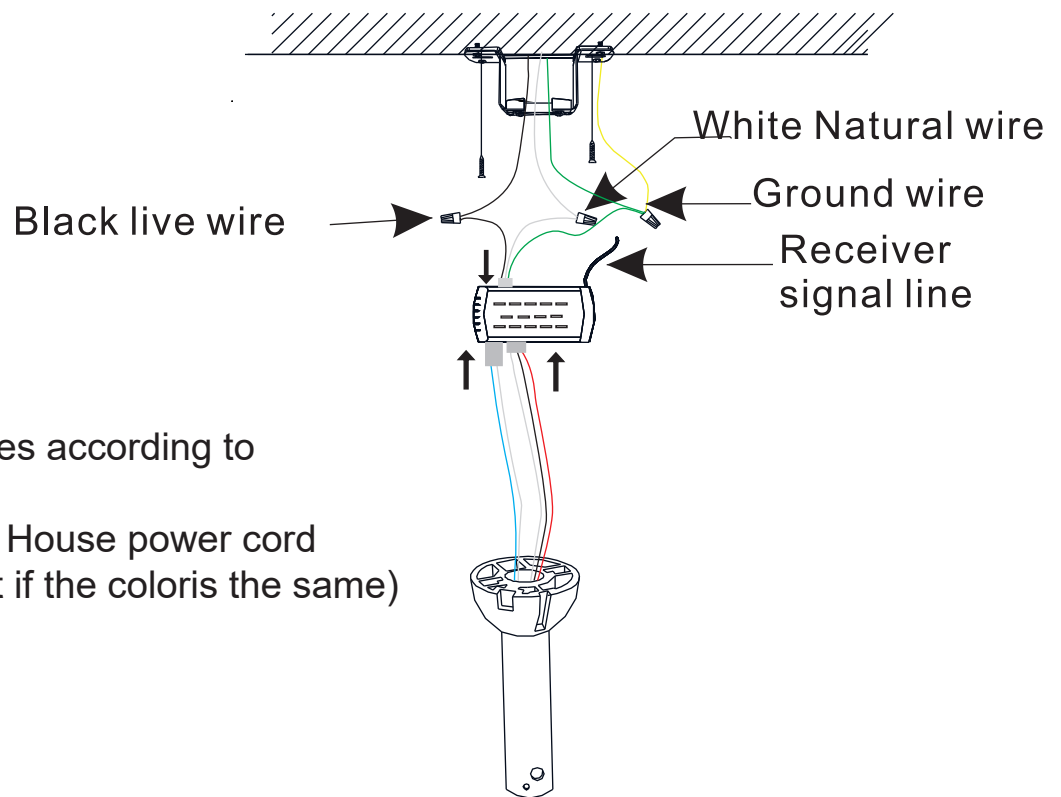
Precautions for connecting the power cord :

**⚠ WARNING**

To avoid possible electrical shock, be sure electricity is turned off at the main fuse box before wiring

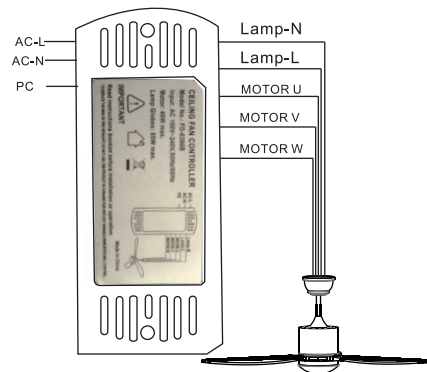
Connect 110V main power (dwelling) to the Terminal Block located on the hanger

7, Correctly link the light wire, motor wire, and neutral wire and live wire according to the guidelines on the right



Connect the wires according to the polarity.  
(the color of the House power cord may be different if the color is the same)

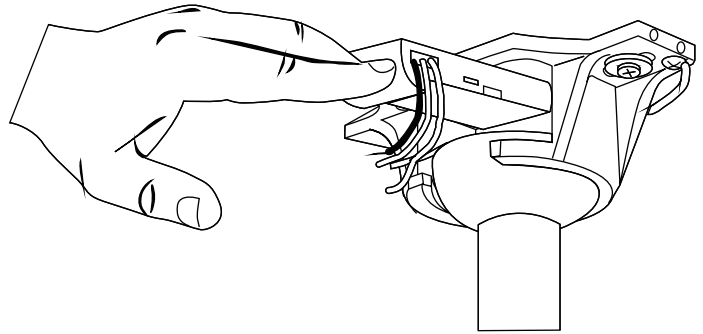
## Controller connection circuit diagram



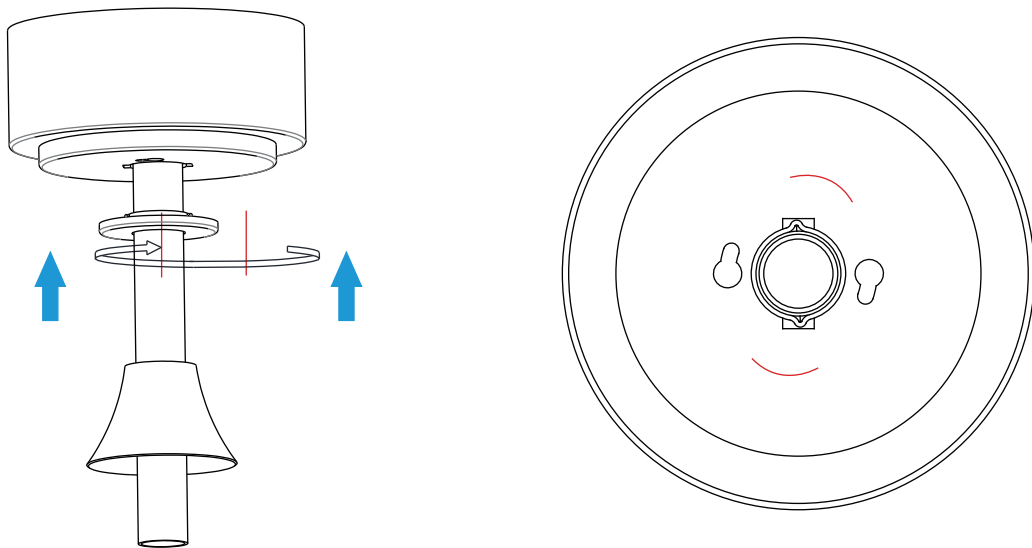
Correctly link the light wire, motor wire, and neutral wire and live wire according to the guidelines on the right.

## MAKE THE ELECTRIC CONNECTIONS

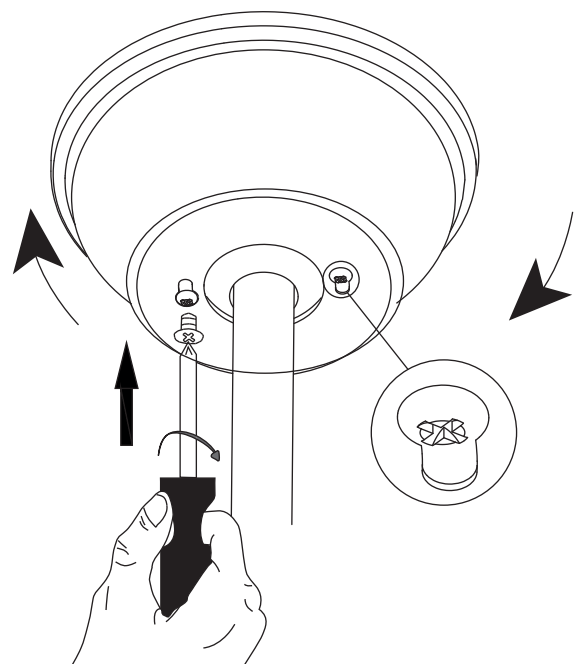
1. Put the receiver into the bracket and arrange the wires



2. Mount the canopy as previously stated



3. Adjust the position of canopy then lock it



# REMOTE CONTROL SETTING AND OPERATION

1. Restore electrical to the outlet box by turning the electricity on at the main fuse box.

2. Remove the battery cover from the remote control transmitter, install the battery, and replace the cover.

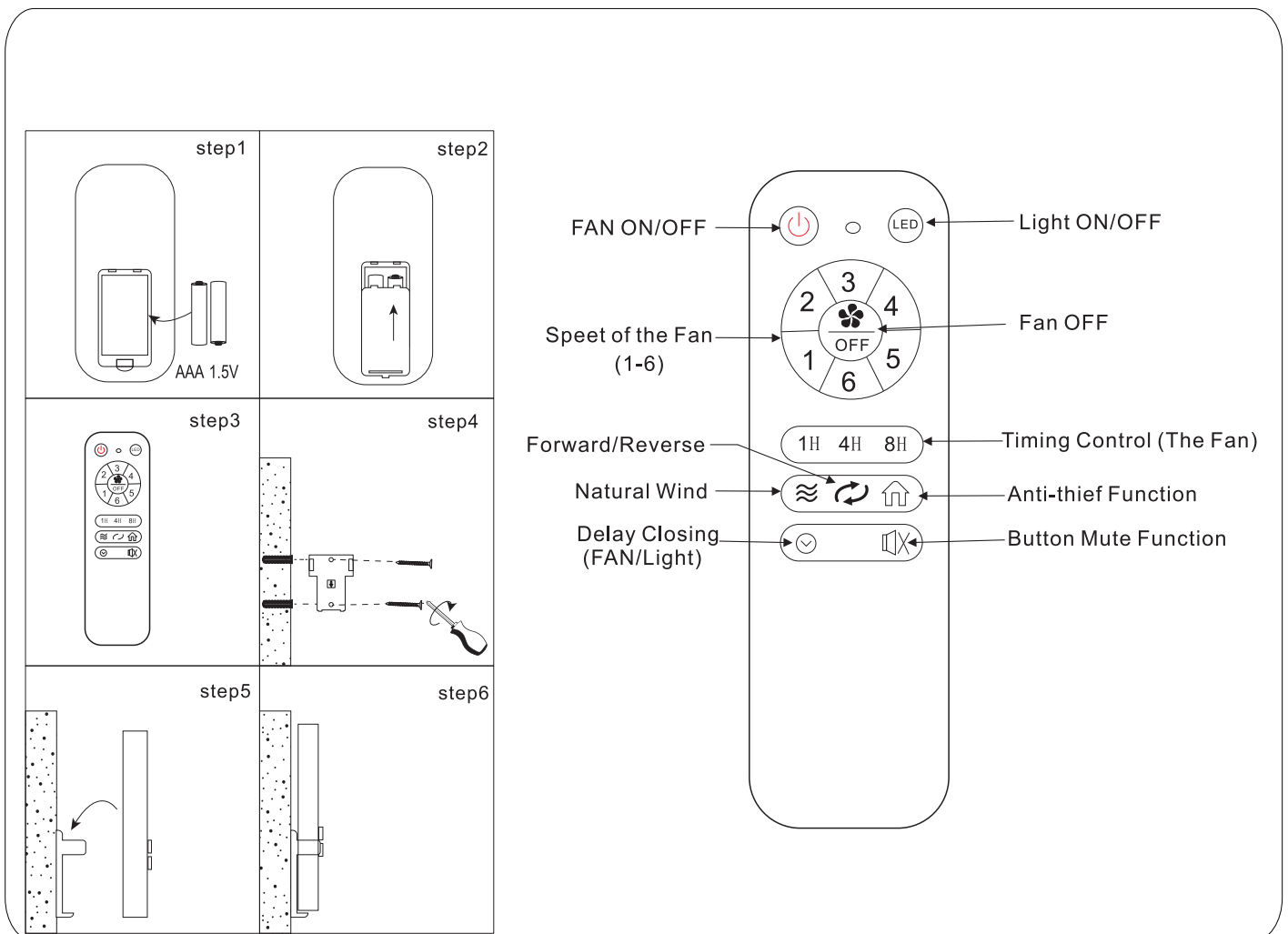
Note:

1). Use 1 12V battery to replace battery.

2). If not using for long periods of time, remove the battery to prevent damage to the remote transmitter, and store the remote transmitter away from excess heat or humidity.

3. The buttons on the remote control transmitter control the fan speed and light as follows.

## Remote Control ( Esmmitter ) Operation



## IMPORTANT:PAIRING BETWEEN REMOTE AND RECEIVER

1. Turn “ON”the power supply and within 30 seconds press and hold the transmitters “FAN ON/OFF”button for 5 seconds and a“beep”will be heard this will then activate a successful pairing and all functions will work normally.

### IMPORTANT:

pairing initial step must be performed within 30 seconds of power being turned on.

1(a). when pairing multiple fans please ensure the isolation switch or power supply to the first installed fan is turned off prior to pairing futher fans e.g please pair one fan at a time

1(b). please ensure isolation switch is kept to the ON position, the isolation switch is not to be used as a light switch as this will damage and make the remote recevier inoperable

2. If the transmitter functions are not working please check the battery orientation and power level.Low battery voltage will affect the functions of your transmitter and operation of your fan.Other remote controls nearby using the same frequency may cause interference with the Fans receiver.

3. Please remove batteries from the transmitter if leaving unused for an extended period of time.

4. Remote supports 200w maximum on lighting side.

## IMPORTANT REMAINDERS

1. Please note: Receiver must be correctly installed in the mounting bracket on fan

2. When the transmitter cannot control the receiver, please check the battery hassufficient charge in the transmitter.

3. When the transmitter cannot control the receiver, please check if there is any existence of similar remote controlled products nearby, causing interference with each other.

4. Low power of battery will affect the sensitivity of the transmitter and the signal reception accordingly, must replace if the battery is getting low power.

5. Please take the battery out from the transmitter when leaving unused for a long time, to avoid battery leaks.

6. Isolation Switch “Must be connected in the line.”

7. When power is cut to the unit (via a blackout or otherwise) when power is restored the light will come on.

Before carrying out any cleaning or maintenance work, always make sure that the appliance is disconnected. LED lights are not removable. LED lights can only be used within the product delivery, they can not be replaced.

## BALANCING FAN/WOBLING TROUBLE SHOOTING

Please note that all ceiling fans are not the same, even in the same model—some may move more or less than others.

Movement of a couple of centimeters is quite acceptable and does not suggest the fan will fall down.

Even though all blades are weighted and grouped by weight, it is impossible to eliminate wobble altogether. This should not be considered a fault. Ceiling fans tend to move during operation due to the fact that they are not generally rigidly mounted.

## TRY THE FOLLOWING TO REDUCE A WOBLING FAN

1. Check that all of the blade mounting screws are tightened and secure.
2. Wobbling problems may result from inconsistent blade level. To check the blade level, measure the distance from each blade tip to the ceiling. Note: If measurements are inconsistent:
  - Be sure the blade mount screws are not too tight or too loose, which may cause wobbling due to an unlevel blade tip
  - An out of shape blade can cause wobbling. Check by removing the blade and placing on a flat surface.
3. Blade tracking may be checked simply by use of a household ruler. Place the ruler vertically against the ceiling and even with the outside leading edge of a blade. Note the distance of the edge of a blade compared to the others. Turn the blade slowly by hand to check the remaining blades.

If a blade is not in alignment, the blade is either out of shape, warped or the blade screws are not evenly tighten or either loose.

## BALANCING KIT

A Balancing Kit has been provided to assist with reducing a wobble. Please retain the kit as it may become useful should the fan develop a wobble in the future.

**Step 1.** Clamp the balance clip to the middle position marked A of any fan blade.

Turn on the fan and check if the vibration of the fan blades is reduced. Proceed to step 3 if the shaking is reduced. If shaking increases go to step 2.

**Step 2.** Take out the balance clip, clip it to the middle mark B of the clockwise adjacent blades, and so on until you find the fan blade that can reduce the shaking.

**Step 3.** When we found the fan blade that can reduce the shaking. Move the balance clip on the fan blade towards the center or edge and turn on the fan to see if the wobble is reduced. If the balance clip cannot fully counteract the shaking of the fan blade at the center or edge position, you can add an additional balance clip near the center or edge position for adjustment.

**Step 4.** When the fan blade no longer shakes, use a balance patch to stick to the position where the clip on the back of the fan blade is clamped to replace the balance clip. (1 balance patch instead of 1 balance clip)

**Step 5.** The adjustment is complete.



E-mail: [asyko1688@163.com](mailto:asyko1688@163.com)

**MADE IN CHINA**