






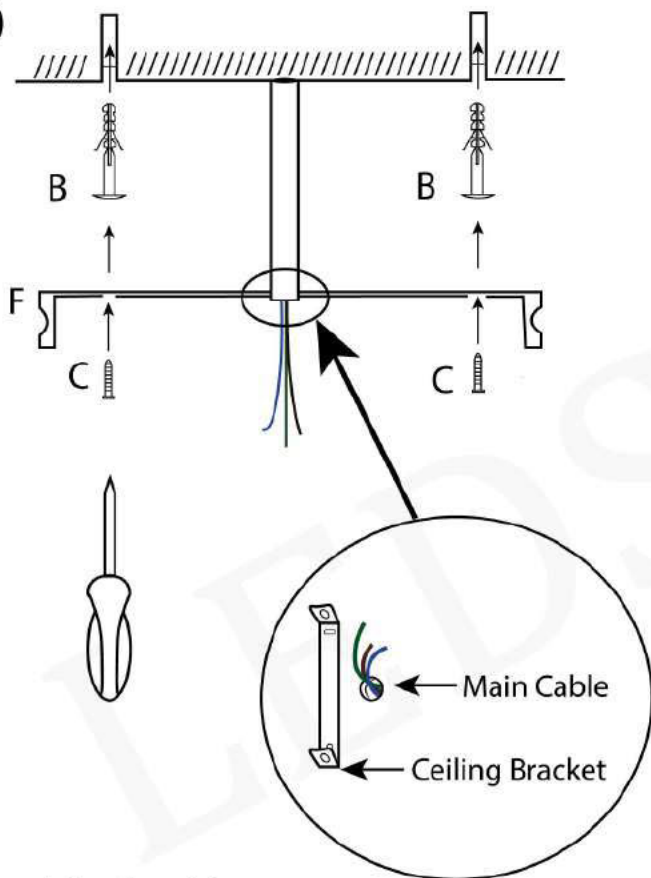


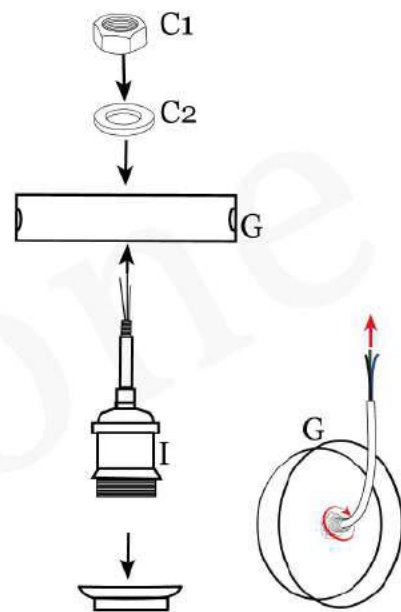
A		1
B		2
C1		1
C2		1
D		2
E		1
F		2

1

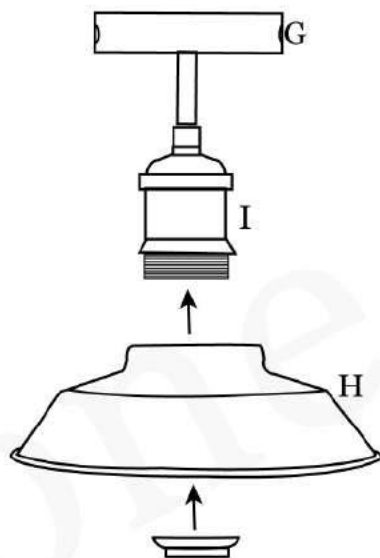


The cable should come next to the bracket

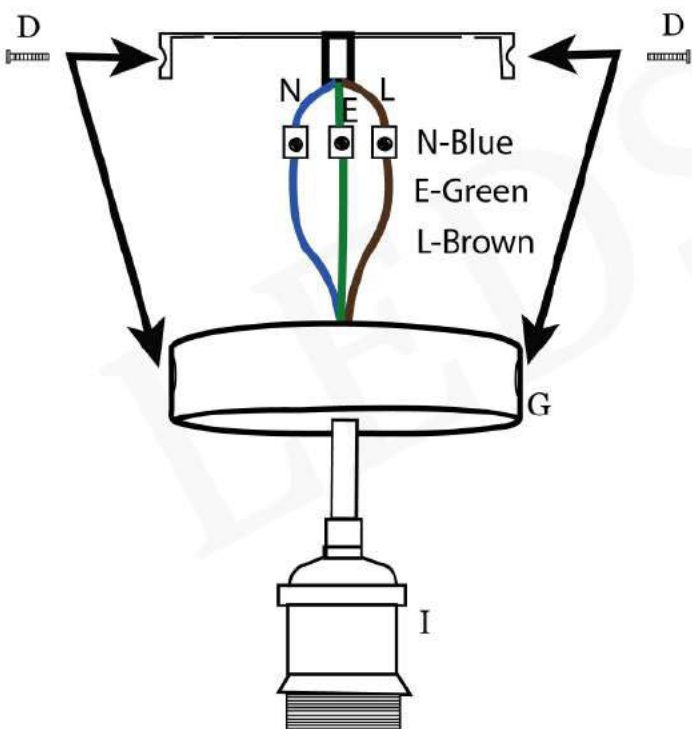
2



4



3



5

