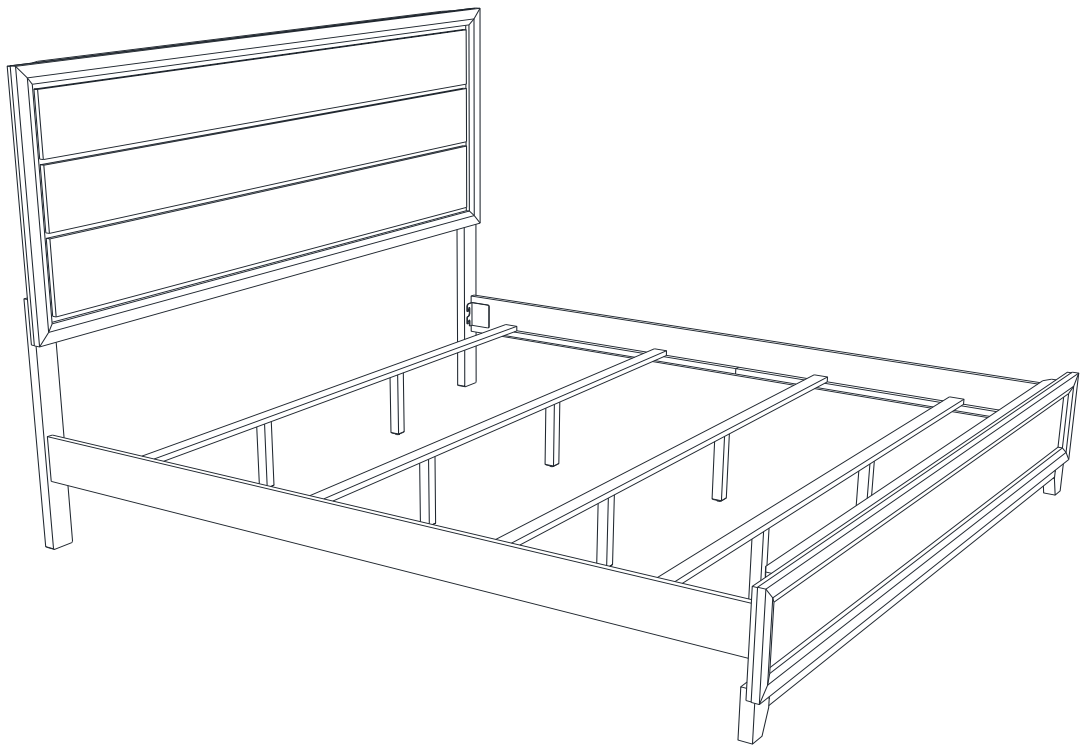


ASSEMBLY INSTRUCTIONS
COASTER FINE FURNITURE



Fine Furniture for every stage of life

212421KE (B1&B2)
Eastern King Bed

REVISION 0 : 10/16/2017
REVISION 1 : 08/09/2018
REVISION 2 : 08/28/2018
REVISION 3 : 01/02/2019
REVISION 4 : 12/13/2019

ITEM: 212421KE (B1&B2)



ASSEMBLY INSTRUCTIONS

ASSEMBLY TIPS:

1. Remove hardware from box and sort by size.
2. Please check to see that all hardware and parts are present prior to start of assembly.
3. Please follow attached instructions in the same sequence as numbered to assure fast & easy assembly.



WARNING!

1. Don't attempt to repair or modify parts that are broken or defective. Please contact the store immediately.
2. This product is for home use only and not intended for commercial establishments.


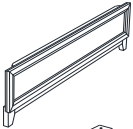


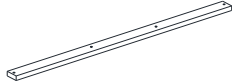



ASSEMBLY TIME


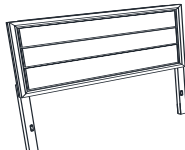
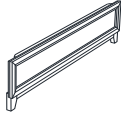
20 MINUTES

PARTS IDENTIFICATION

B1 (BOX 1)







<p>A HEADBOARD PANEL</p> <p>B FOOTBOARD</p> <p>C RIGHT HEADBOARD LEG</p>	  	<p>1PC</p> <p>1PC</p> <p>1PC</p>	<p>D LEFT HEADBOARD LEG</p> <p>E BED SLAT</p> <p>F BED SLAT SUPPORT WITH LEVELER</p>	  	<p>1PC</p> <p>4PCS</p> <p>8PCS</p>
---	--	----------------------------------	---	---	------------------------------------

B2 (BOX 2)

<p>G BED RAIL</p> <p>HB 212421KW(B1) FROM BOX 1 HEADBOARD COMPLETE</p>	 	<p>2PCS</p> <p>1PC</p>	<p>B 212421KW(B1) FROM BOX 1 FOOTBOARD</p>		<p>1PC</p>
--	--	------------------------	---	---	------------

HARDWARE IDENTIFICATION

Z-B1 (BOX 1) - HARDWARE PACK IS LOCATED IN 212421KE (B1)

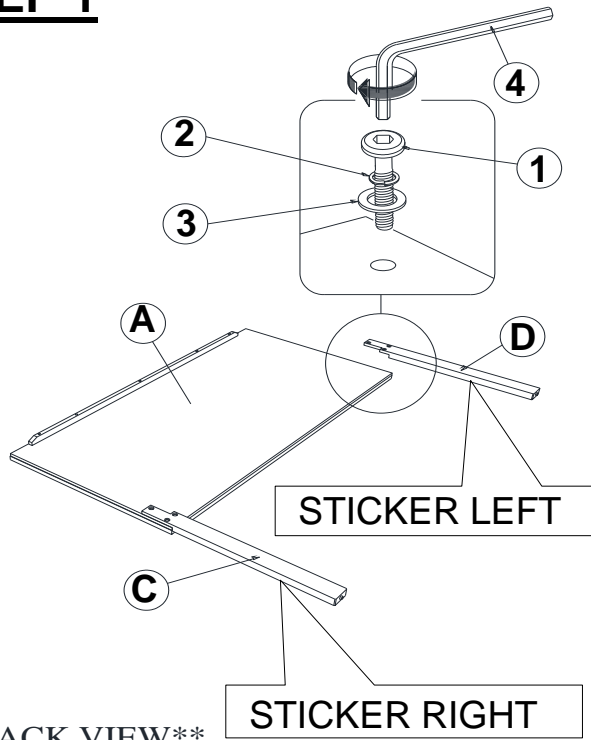
<p>1 BOLT (M6 x 30mm - BLK)</p> <p>2 LOCK WASHER (1/4" - BLK)</p> <p>3 FLAT WASHER (1/4" ID x 13mm - BLK)</p>	  	<p>6PCS</p> <p>6PCS</p> <p>6PCS</p>	<p>4 SMALL ALLEN WRENCH (M4 x 60mm - BLK)</p> <p>5 BIG ALLEN WRENCH (M5 x 65mm - BLK)</p> <p>6 FLAT HEAD SCREW (M4 x 32mm - RBW)</p>	  	<p>1PC</p> <p>1PC</p> <p>8PCS</p>
--	---	-------------------------------------	---	---	-----------------------------------

NOTE:

Phillips head screw driver is required in the assembly process; however, manufacturer does not provide this item.

ASSEMBLY INSTRUCTIONS

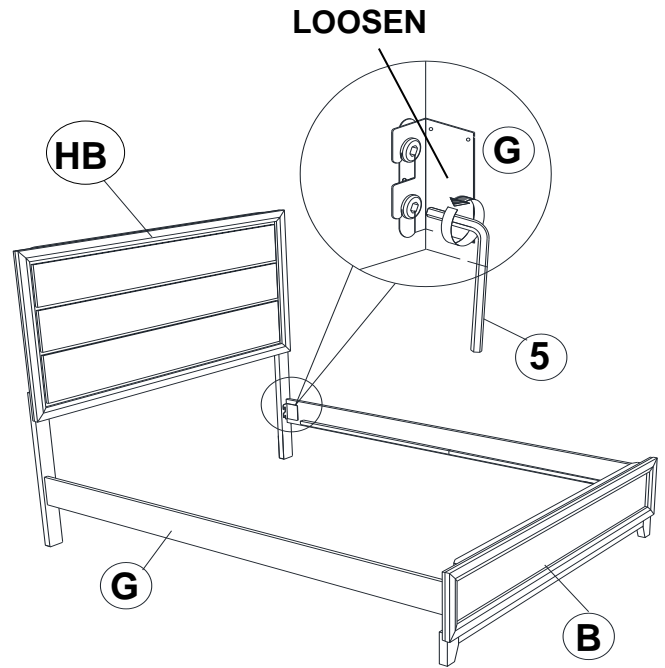
STEP 1



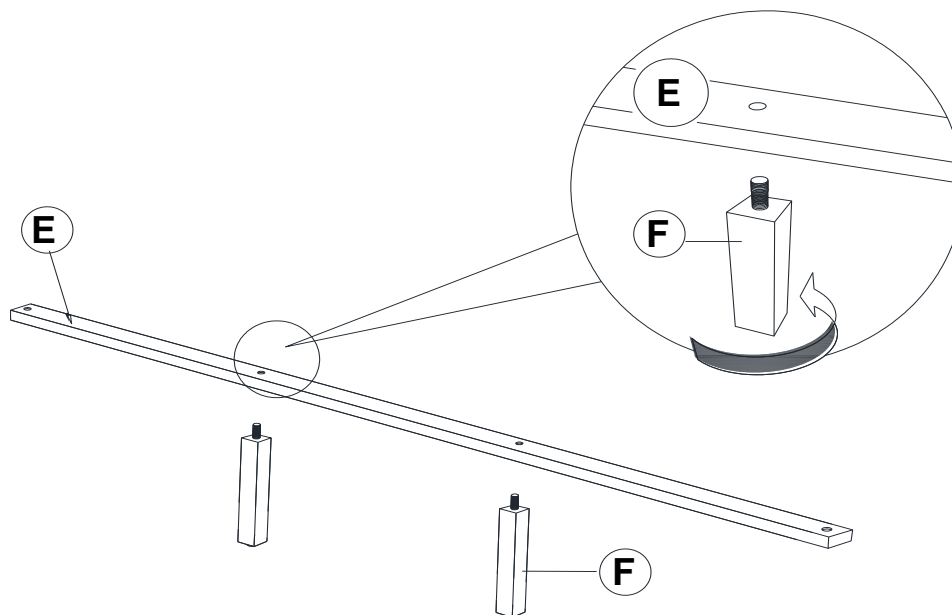
BACK VIEW

Note: Please take note of the marking sticker (L & R) on the headboard legs.

STEP 2

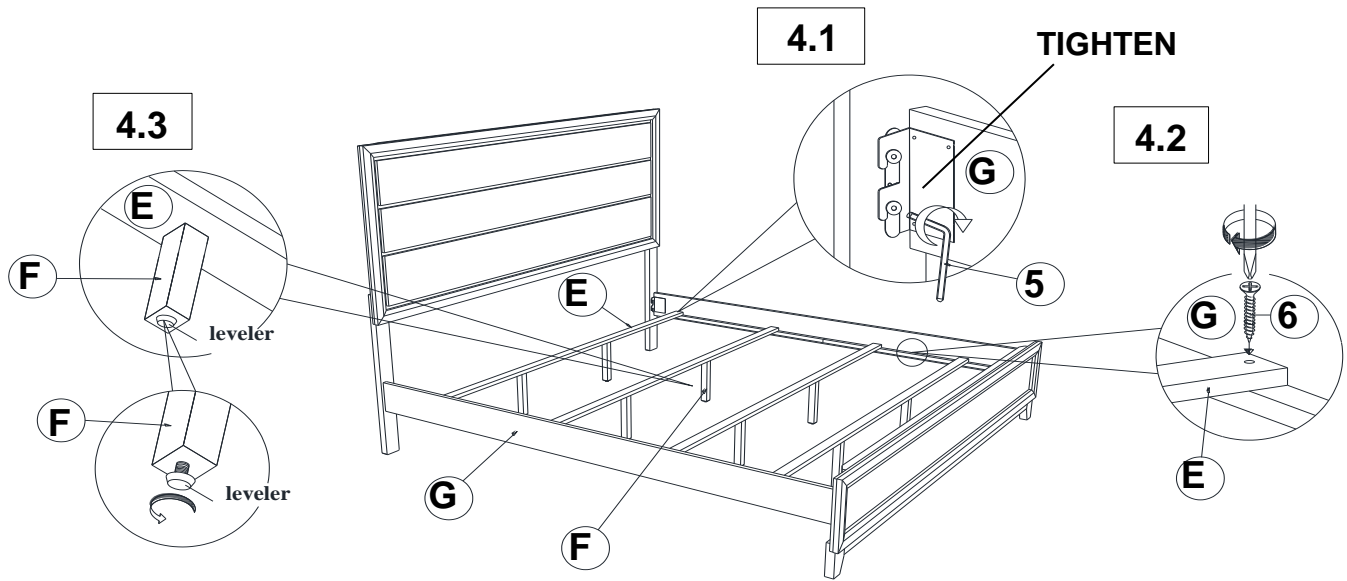


STEP 3

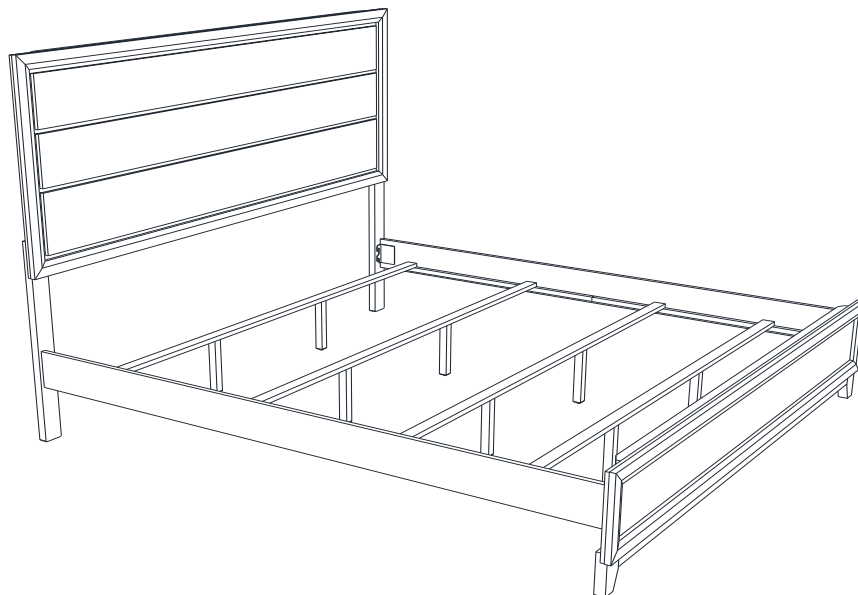


ASSEMBLY INSTRUCTIONS

STEP 4



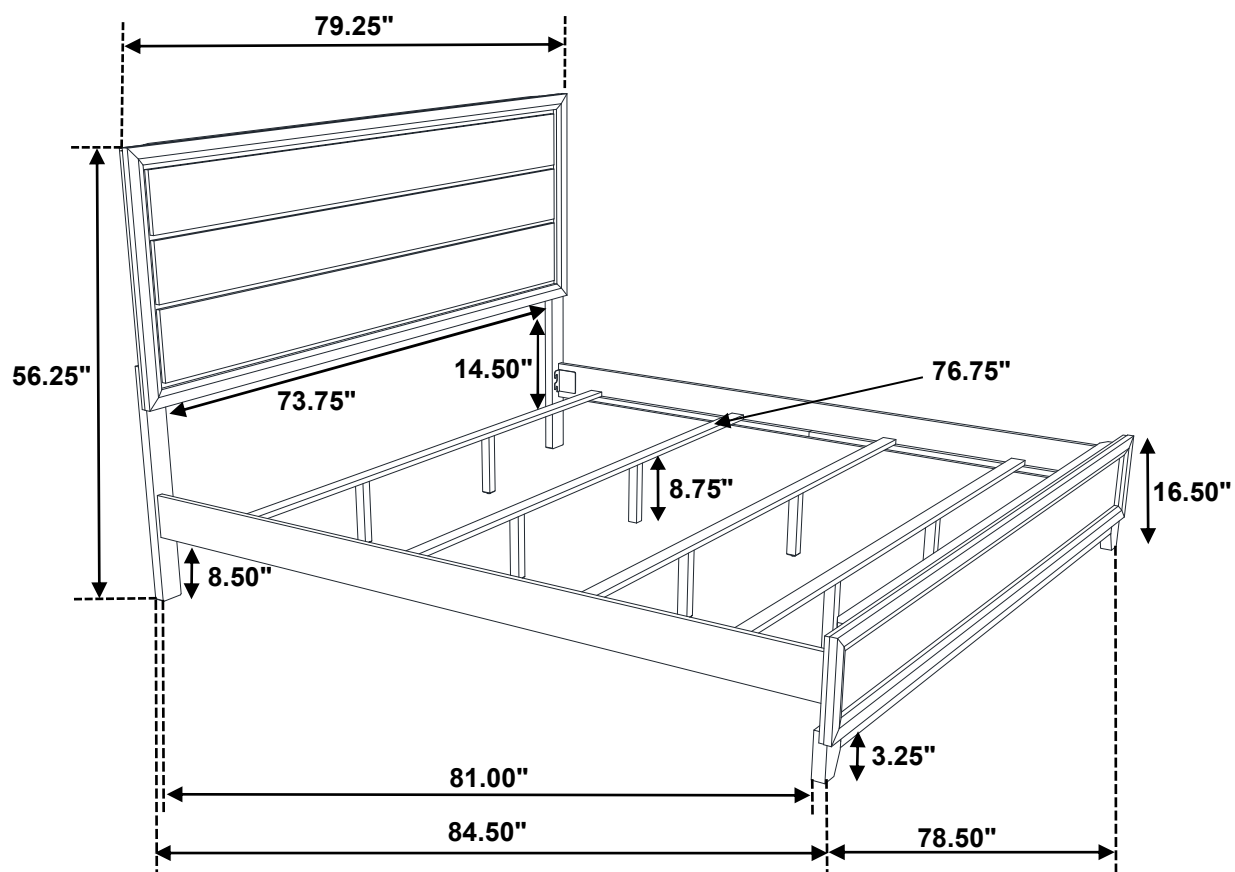
STEP 5
COMPLETE



ITEM: 212421KE (B1&B2)



Inner Size : 76.75"W X 81.00"D



Note : Dimension tolerance $\pm 5\%$

ASSEMBLY INSTRUCTIONS
COASTER FINE FURNITURE



Fine Furniture for every stage of life

212422
Nightstand

REVISION 0 : 10/16/2017
REVISION 1 : 12/26/2017
REVISION 2 : 08/09/2018
REVISION 3 : 01/02/2019
REVISION 4 : 12/13/2019

ITEM: **212422**



ASSEMBLY INSTRUCTIONS

ASSEMBLY TIPS:

1. Remove hardware from box and sort by size.
2. Please check to see that all hardware and parts are present prior to start of assembly.
3. Please follow attached instructions in the same sequence as numbered to assure fast & easy assembly.



WARNING!

1. Don't attempt to repair or modify parts that are broken or defective. Please contact the store immediately.
2. This product is for home use only and not intended for commercial establishments.

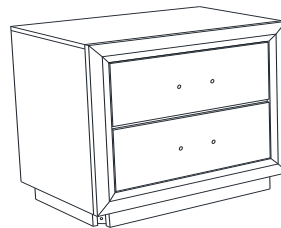


ASSEMBLY TIME

5 MINUTES

PARTS IDENTIFICATION

A NIGHTSTAND



1PC

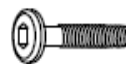
B LEG



4PCS

HARDWARE IDENTIFICATION

1 BOLT
(M6 x 50mm - BLK)



4PCS

2 LOCK WASHER
(1/4" - BLK)



4PCS

3 FLAT WASHER
(1/4" ID x 19mm - BLK)



4PCS

4 ALLEN WRENCH
(M4 x 60mm - BLK)



1PC

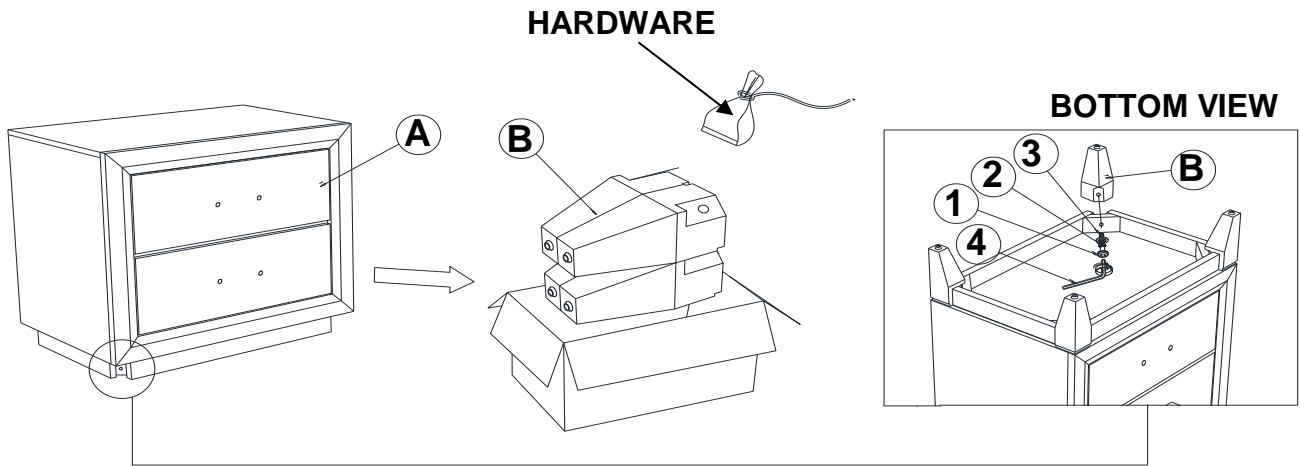
NOTE:

Phillips head screw driver is required in the assembly process; however, manufacturer does not provide this item.

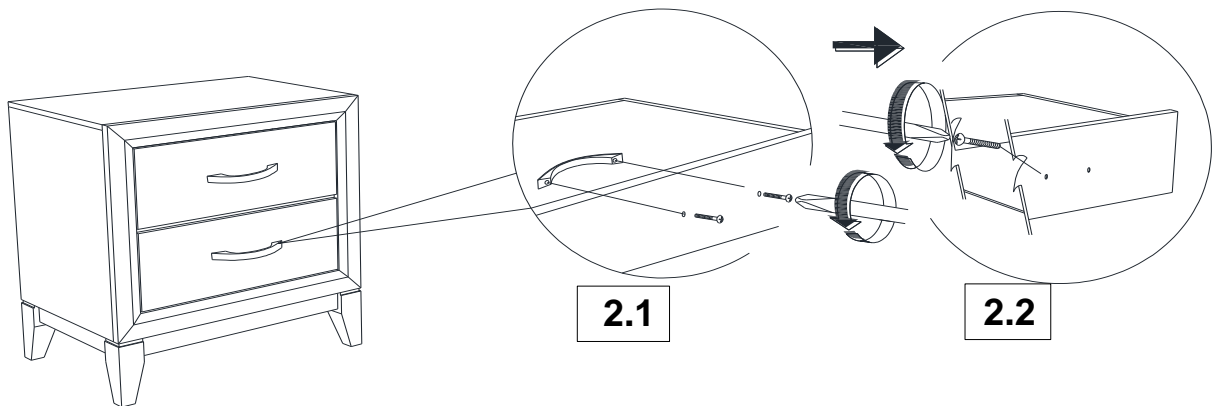
ITEM: **212422**

ASSEMBLY INSTRUCTIONS

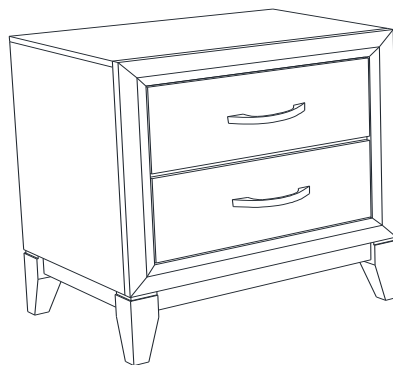
STEP 1



STEP 2



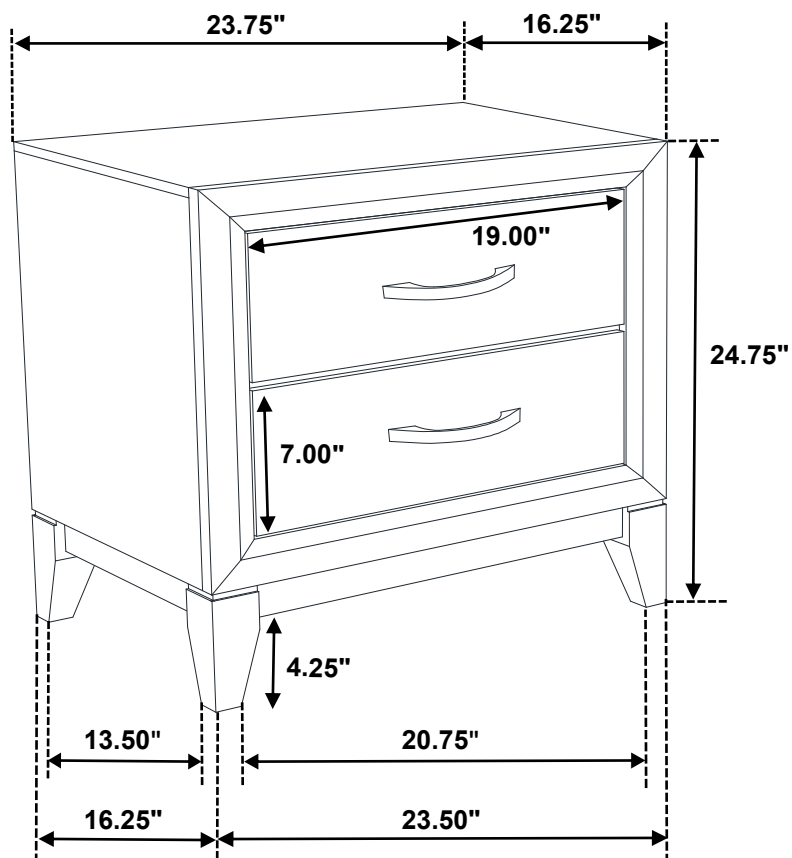
STEP 3
COMPLETE



ITEM:212422



Inner Size of Drawer : 17.00"W x 12.50"D x 4.00"H x 0.25"T



Note : Dimension tolerance \pm 5%

ASSEMBLY INSTRUCTIONS
COASTER FINE FURNITURE



Fine Furniture for every stage of life

212423
Dresser

ITEM:212423



ASSEMBLY INSTRUCTIONS

ASSEMBLY TIPS:

1. Remove hardware from box and sort by size.
2. Please check to see that all hardware and parts are present prior to start of assembly.
3. Please follow attached instructions in the same sequence as numbered to assure fast & easy assembly.



WARNING!

1. Don't attempt to repair or modify parts that are broken or defective. Please contact the store immediately.
2. This product is for home use only and not intended for commercial establishments.

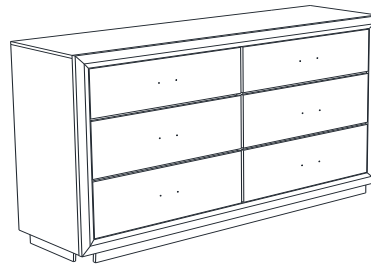


ASSEMBLY TIME

5 MINUTES

PARTS IDENTIFICATION

A DRESSER



1PC

B LEG



4PCS

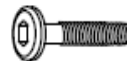
C CENTER SUPPORT LEG
WITH LEVELER



1PC

HARDWARE IDENTIFICATION

1 BOLT
(M6 x 50mm - BLK)



4PCS

2 LOCK WASHER
(1/4" - BLK)



4PCS

3 FLAT WASHER
(1/4"ID x 19mm - BLK)



4PCS

4 ALLEN WRENCH
(M4 x 60mm - BLK)



1PC

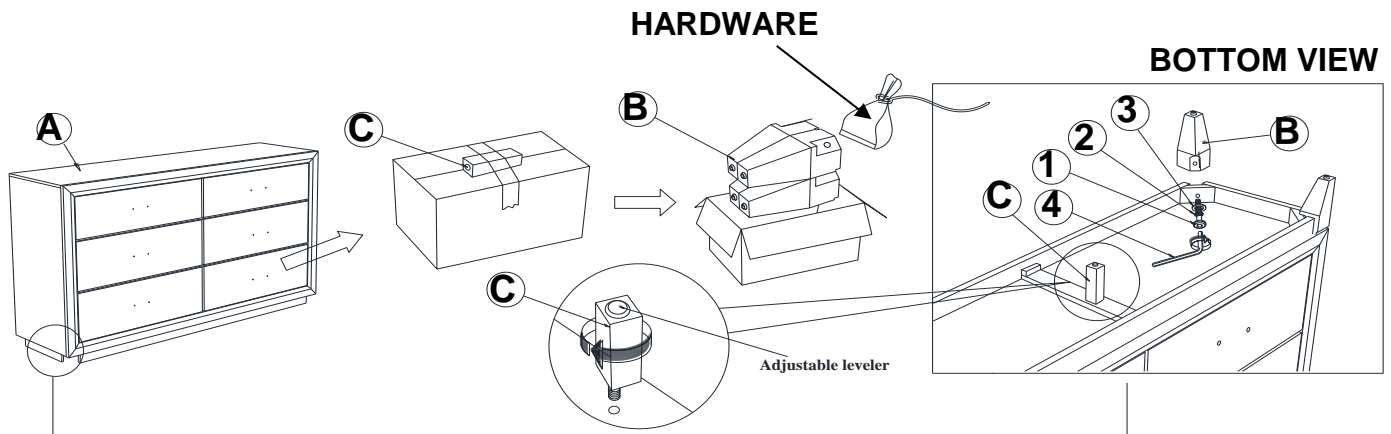
NOTE:

Phillips head screw driver is required in the assembly process; however, manufacturer does not provide this item.

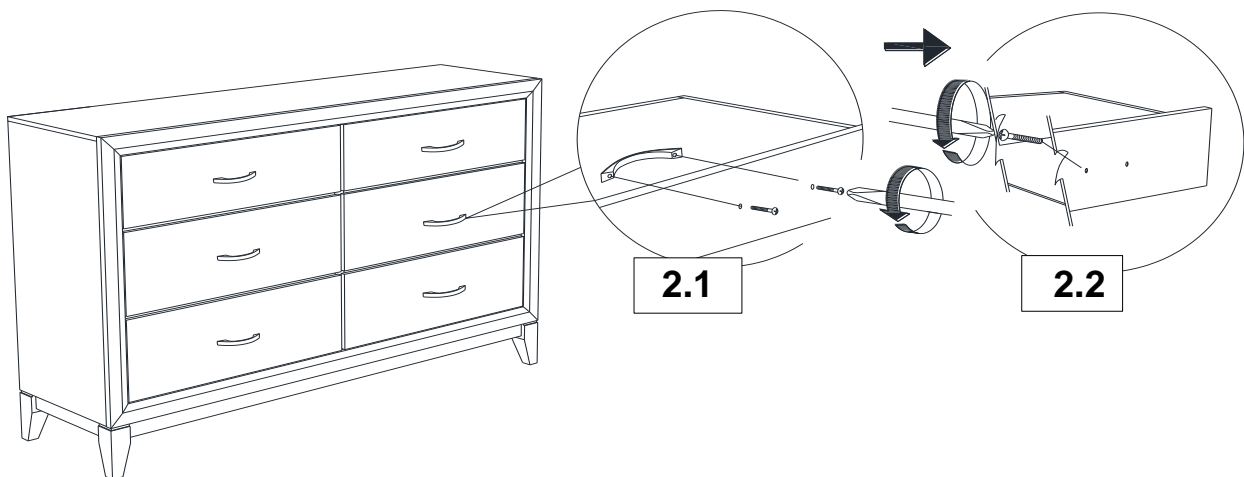
ITEM: 212423

ASSEMBLY INSTRUCTIONS

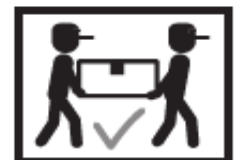
STEP 1



STEP 2



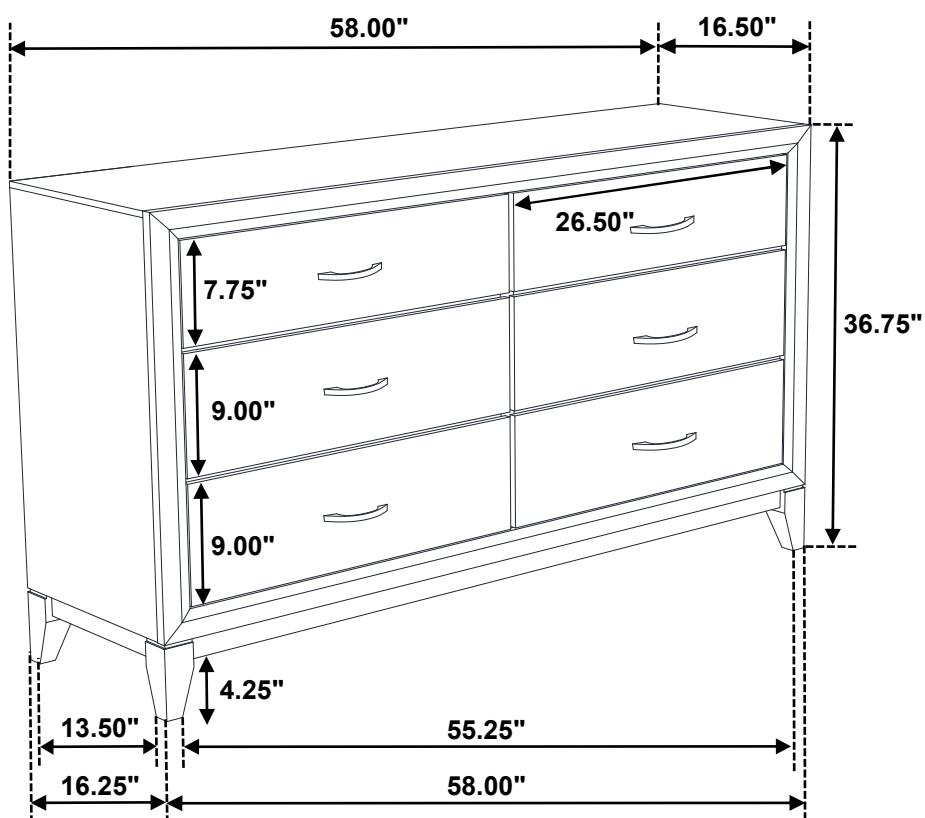
STEP 3
COMPLETE



ITEM:212423



Inner Size of Drawer : 23.25"W x 12.50"D x 5.00"H x 0.25"H



Note : Dimension tolerance \pm 5%

ASSEMBLY INSTRUCTIONS
COASTER FINE FURNITURE



Fine Furniture for every stage of life

212424
Mirror

REVISION 0 : 10/16/2017
REVISION 1 : 08/09/2018
REVISION 2 : 08/29/2018
REVISION 3 : 01/02/2019
REVISION 4 : 12/13/2019

ITEM:212424



ASSEMBLY INSTRUCTIONS

ASSEMBLY TIPS:

1. Remove hardware from box and sort by size.
2. Please check to see that all hardware and parts are present prior to start of assembly.
3. Please follow attached instructions in the same sequence as numbered to assure fast & easy assembly.



WARNING!

1. Don't attempt to repair or modify parts that are broken or defective. Please contact the store immediately.
2. This product is for home use only and not intended for commercial establishments.

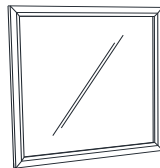


ASSEMBLY TIME

10 MINUTES

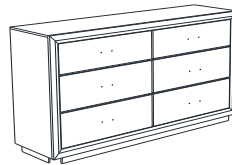
PARTS IDENTIFICATION

A MIRROR



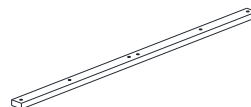
1PC

B DRESSER FROM
BOX ITEM #212423



1PC

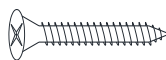
C MIRROR SUPPORT
(PACK WITH MIRROR)



2PCS

HARDWARE IDENTIFICATION

1 FLAT HEAD SCREW
(M4 x 32mm - RBW)



12PCS

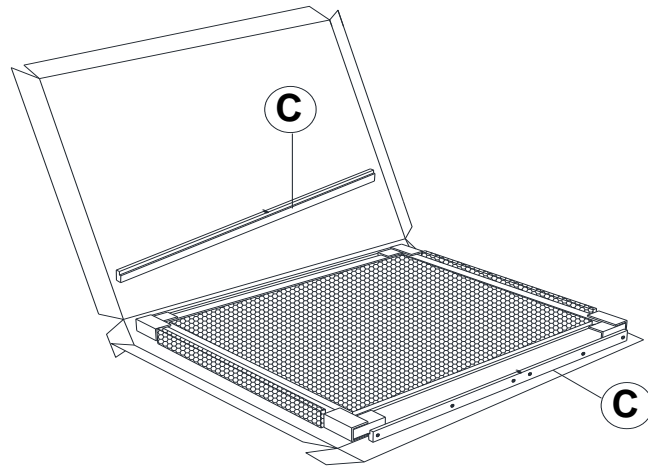
NOTE:

Phillips head screw driver is required in the assembly process; however, manufacturer does not provide this item.

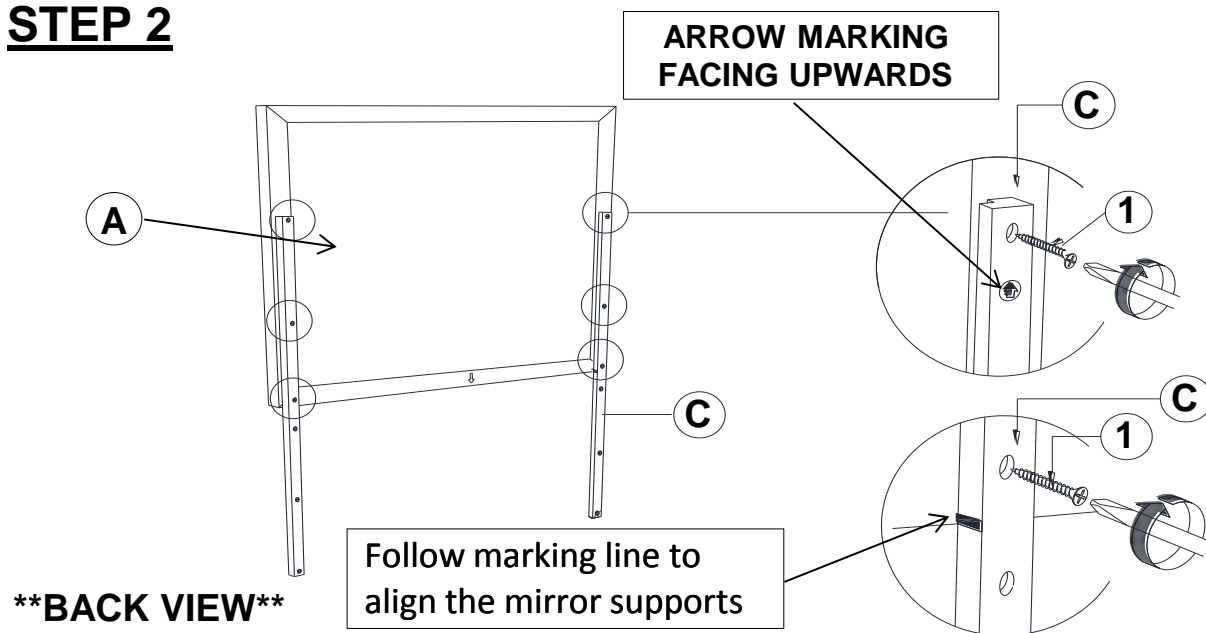
ITEM:212424

ASSEMBLY INSTRUCTIONS

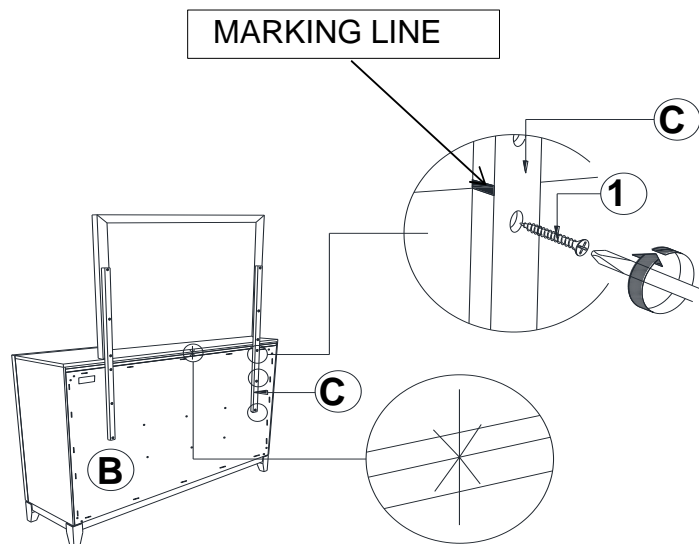
STEP 1



STEP 2

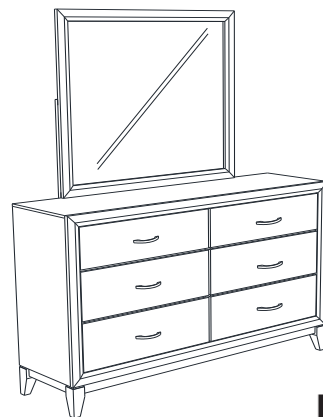


STEP 3

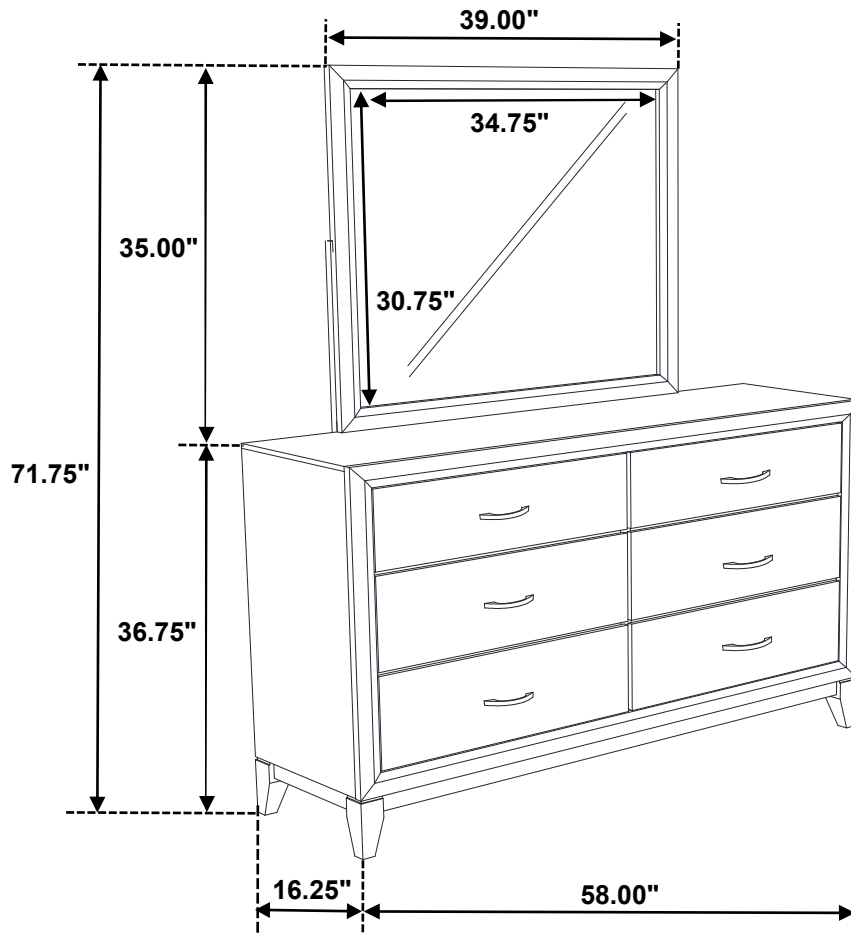


REMARK:
ARROW MARKING MUST BE ALIGNED

STEP 4
COMPLETE



ITEM:212424



Note : Dimension tolerance $\pm 5\%$

ASSEMBLY INSTRUCTIONS
COASTER FINE FURNITURE



Fine Furniture for every stage of life

212425
Chest

REVISION 0 : 10/16/2017
REVISION 1 : 12/26/2017
REVISION 2 : 08/09/2018
REVISION 3 : 01/02/2019
REVISION 4 : 12/13/2019

ITEM:212425



ASSEMBLY INSTRUCTIONS

ASSEMBLY TIPS:

1. Remove hardware from box and sort by size.
2. Please check to see that all hardware and parts are present prior to start of assembly.
3. Please follow attached instructions in the same sequence as numbered to assure fast & easy assembly.



WARNING!

1. Don't attempt to repair or modify parts that are broken or defective. Please contact the store immediately.
2. This product is for home use only and not intended for commercial establishments.



ASSEMBLY TIME

5 MINUTES

PARTS IDENTIFICATION

A

CHEST



1PC

B

LEG



4PCS

HARDWARE IDENTIFICATION

1

BOLT
(M6 x 50mm - BLK)



4PCS

2

LOCK WASHER
(1/4" - BLK)



4PCS

3

FLAT WASHER
(1/4"ID x 19mm - BLK)



4PCS

4

ALLEN WRENCH
(M4 x 60mm - BLK)



1PC

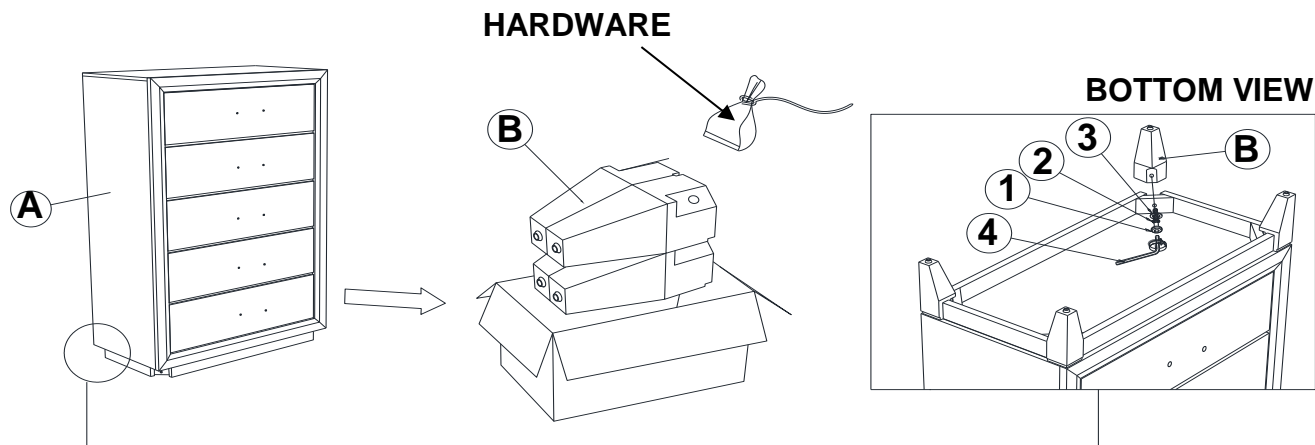
NOTE:

Phillips head screw driver is required in the assembly process; however, manufacturer does not provide this item.

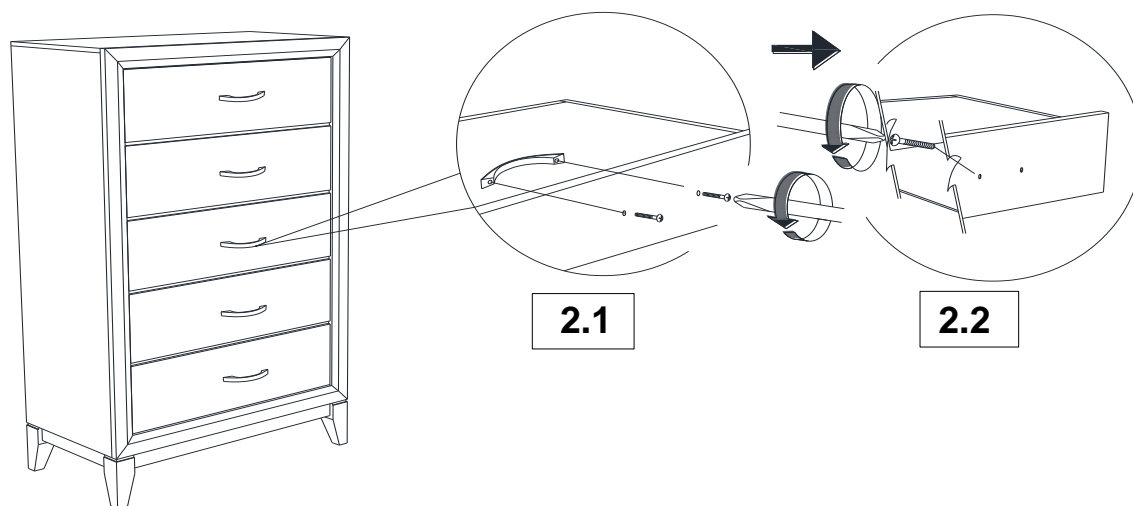
ITEM:212425

ASSEMBLY INSTRUCTIONS

STEP 1



STEP 2



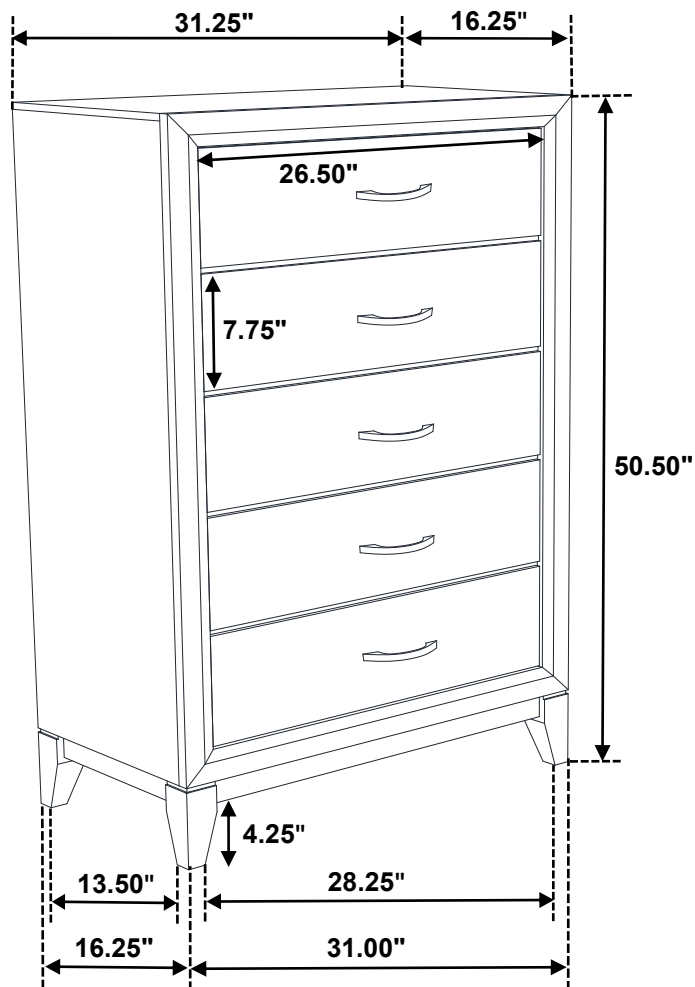
STEP 3
COMPLETE



ITEM:212425



Inner Size of Drawer : 23.25"W x 12.50"D x 5.00"H x 0.25"T



Note : Dimension tolerance $\pm 5\%$