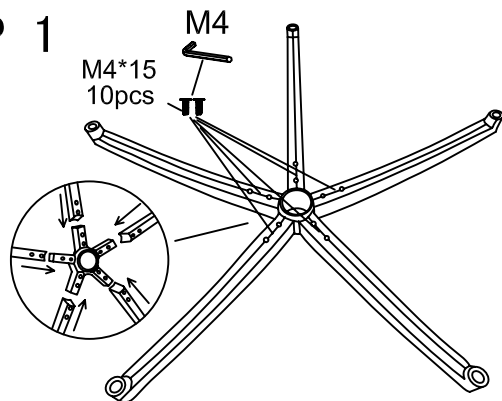
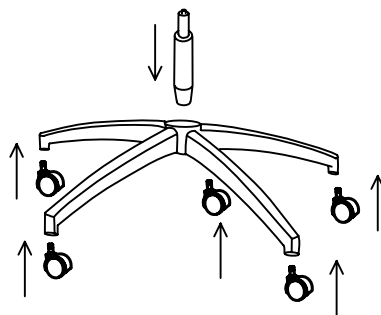


Assembly Instructions

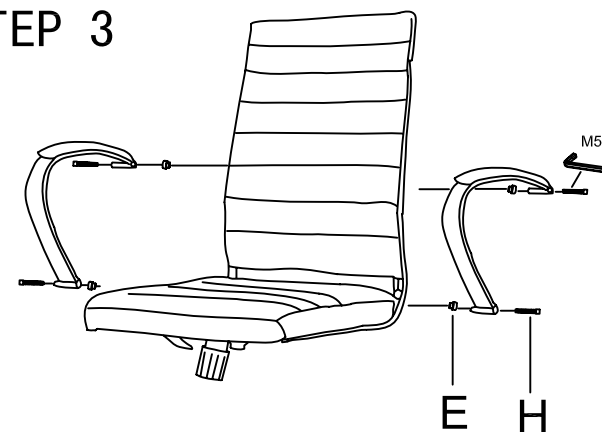
STEP 1



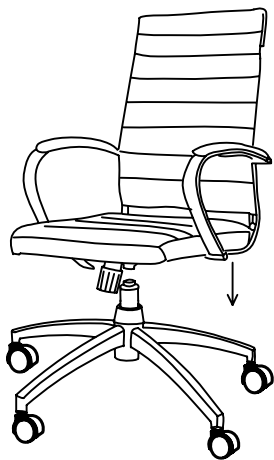
STEP 2



STEP 3



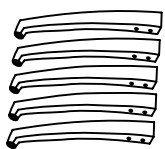
STEP 4



STEP 5

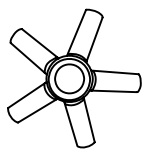


A



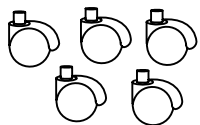
5pcs

B



1pcs

C



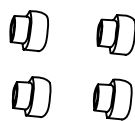
5pcs

D



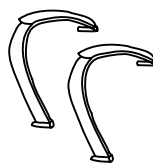
1pcs

E



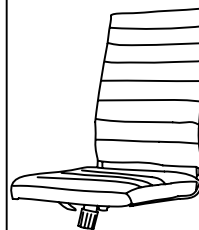
4pcs

F



2pcs

G



1pcs

H



4pcs

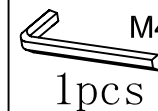
I



M4*15

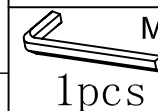
10pcs

J



M4
1pcs

K



M5
1pcs