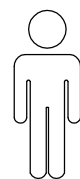
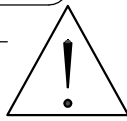
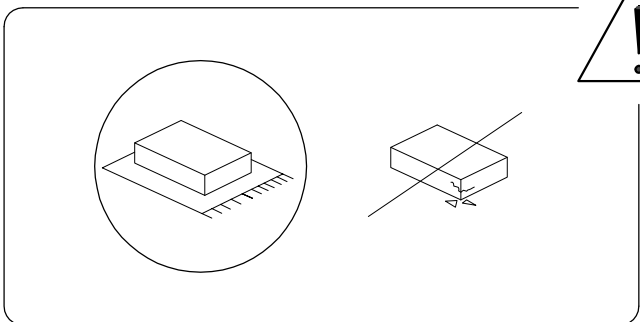
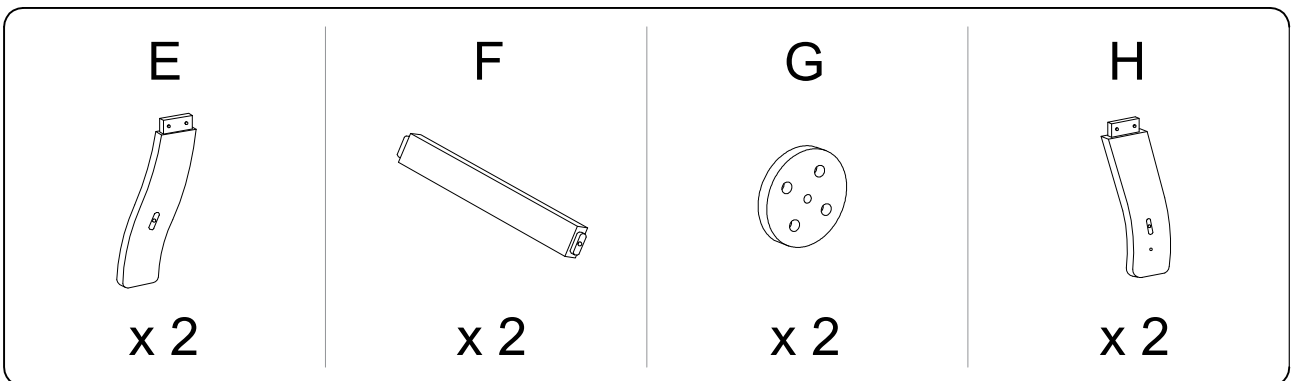
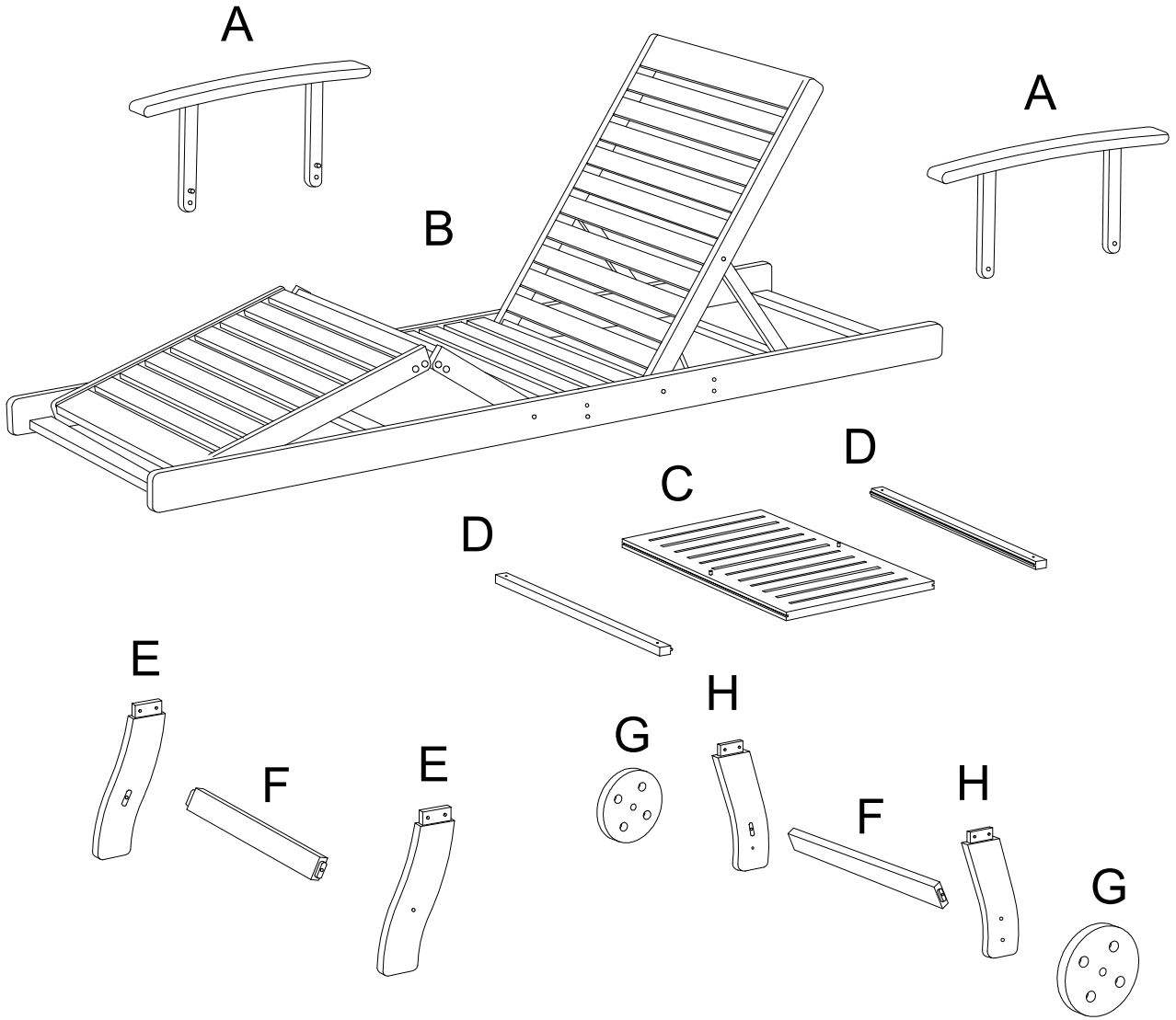
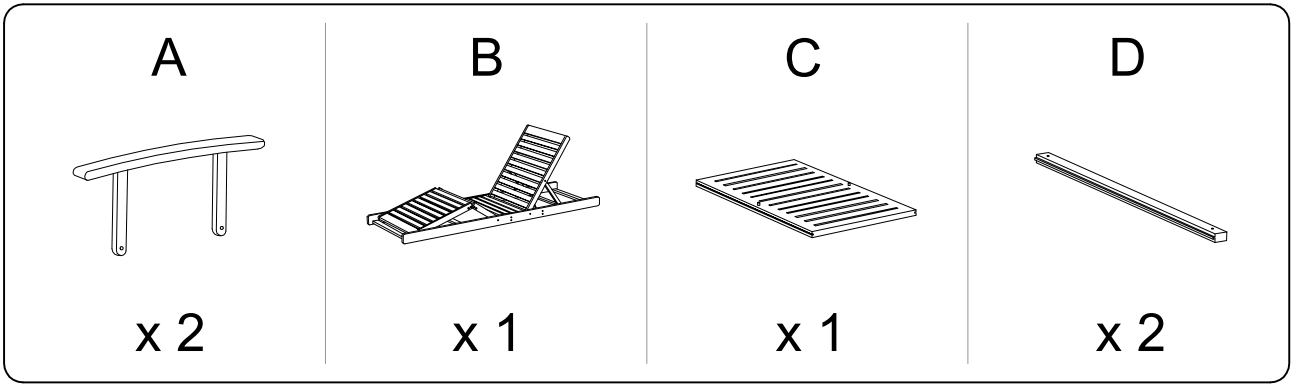


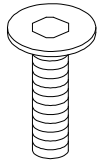
20'



1

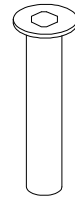


I



x 4

J



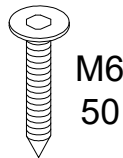
x 4

K



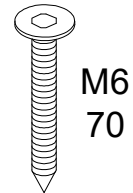
x 8

L



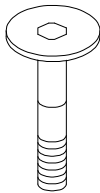
x 4

M



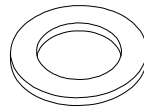
x 4

N



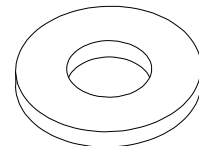
x 2

O



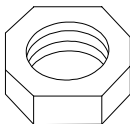
x 2

P



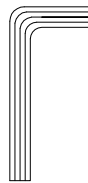
x 2

Q



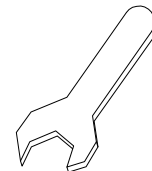
x 2

R



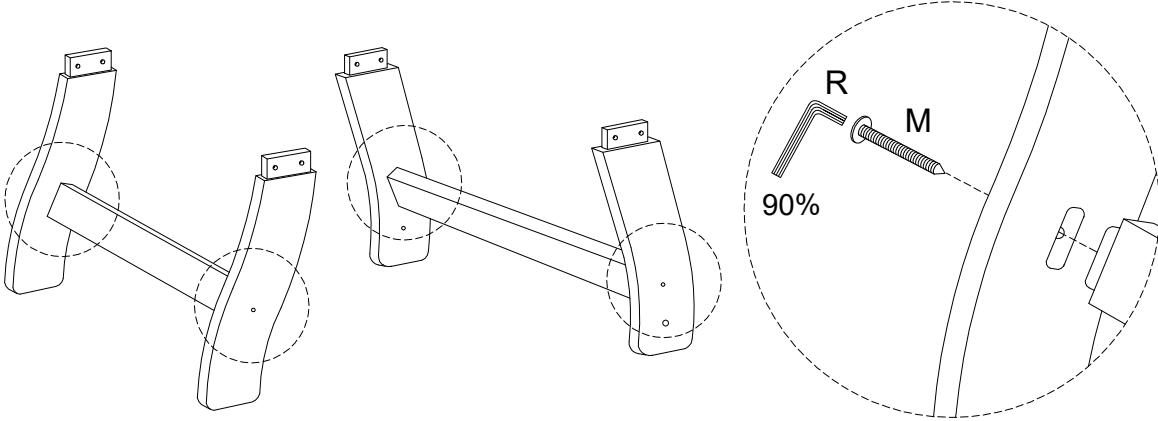
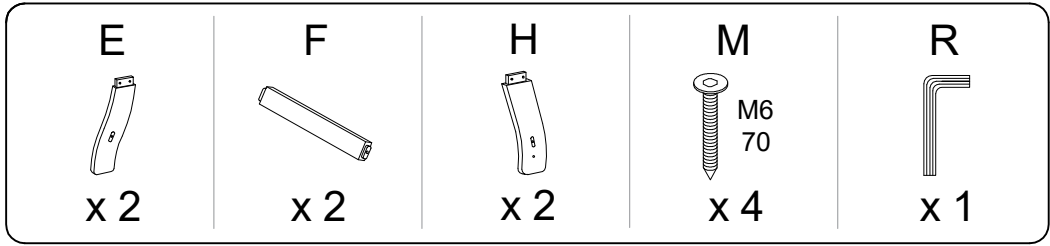
x 2

S

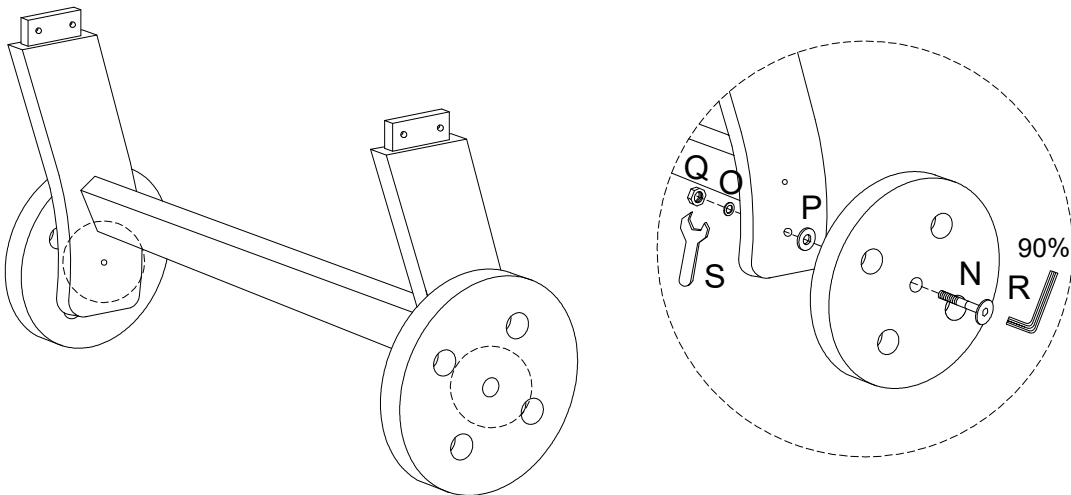
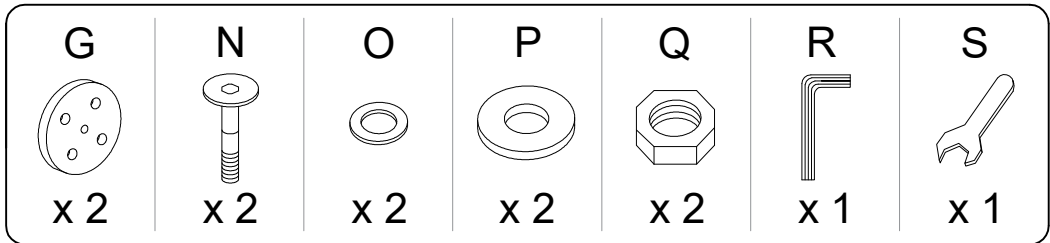


x 1

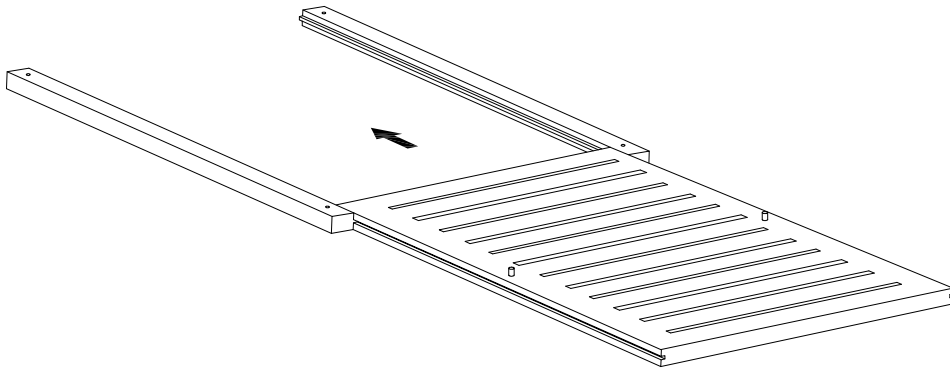
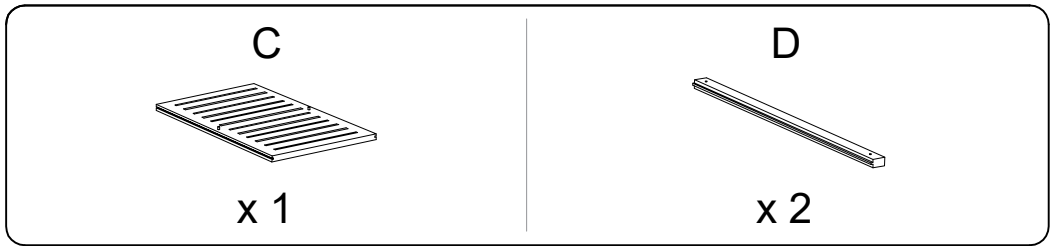
1



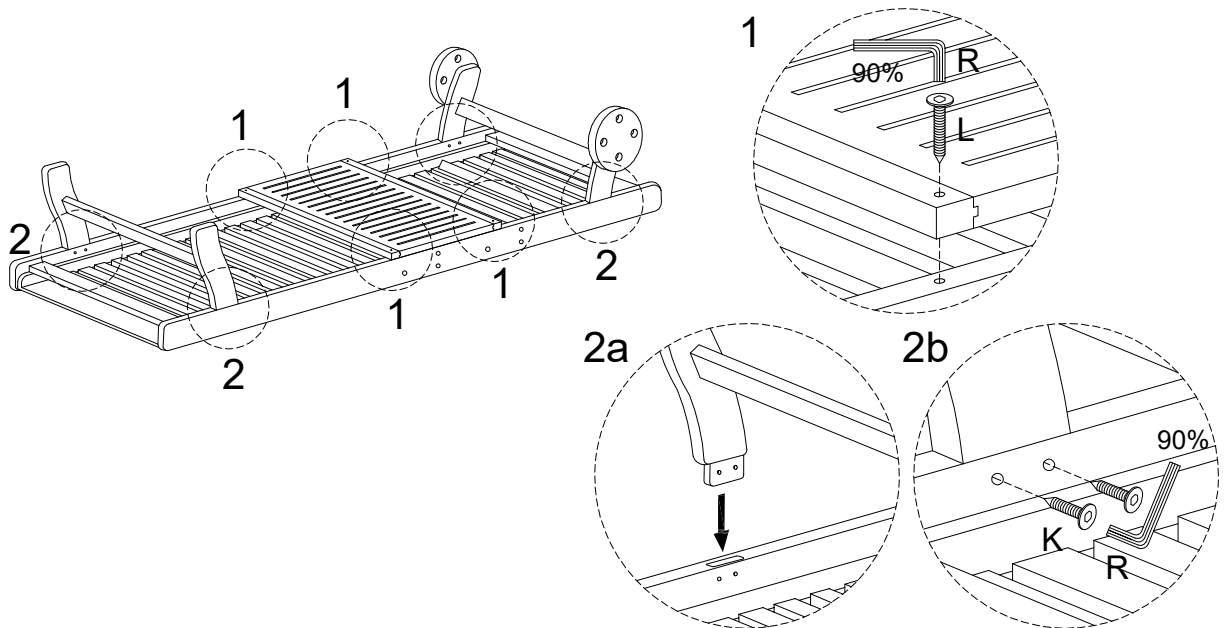
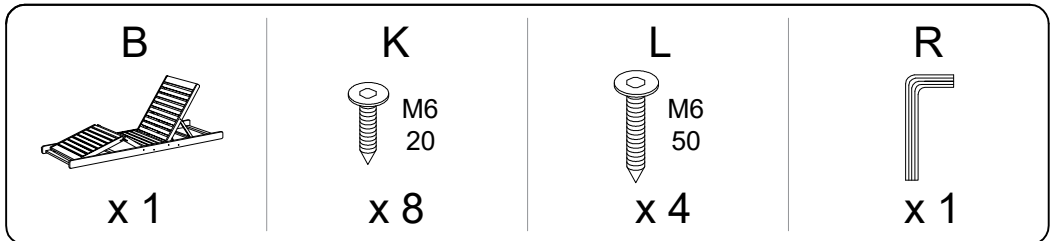
2



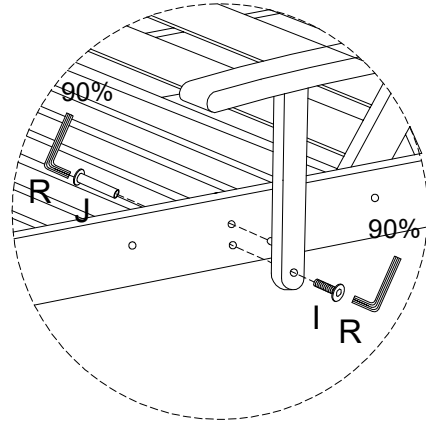
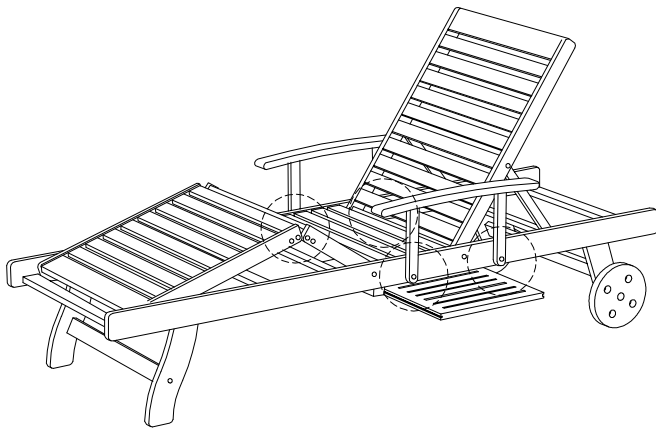
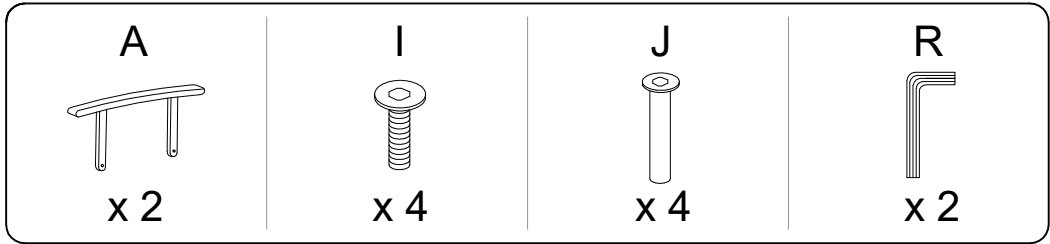
3



4



5



6

