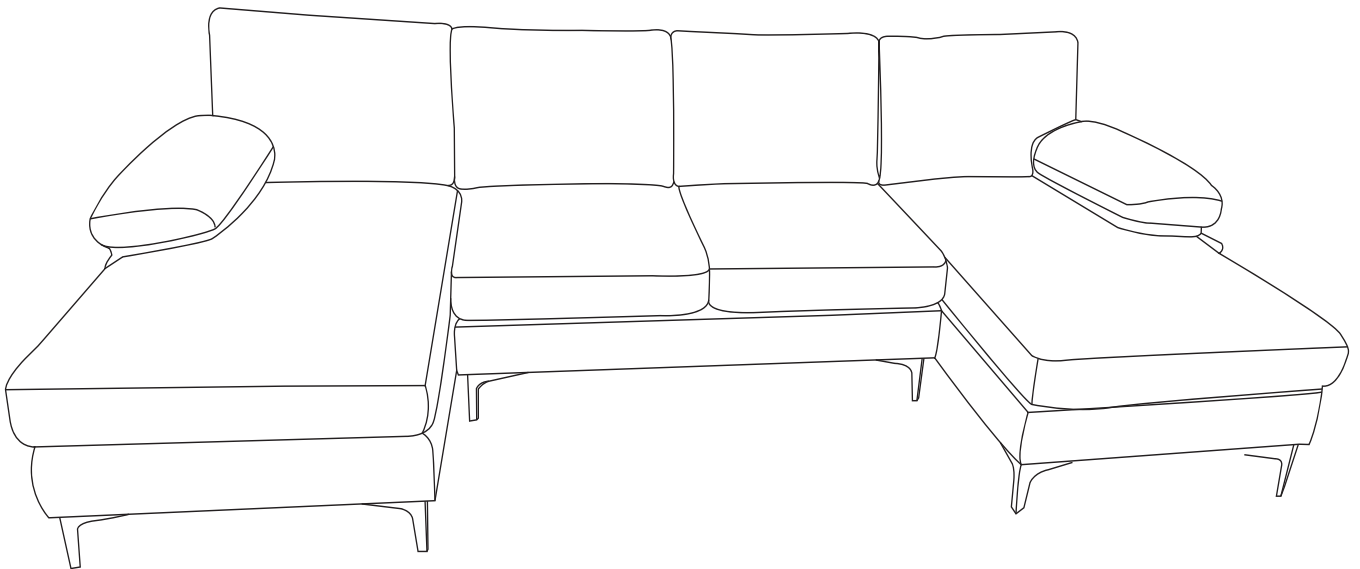


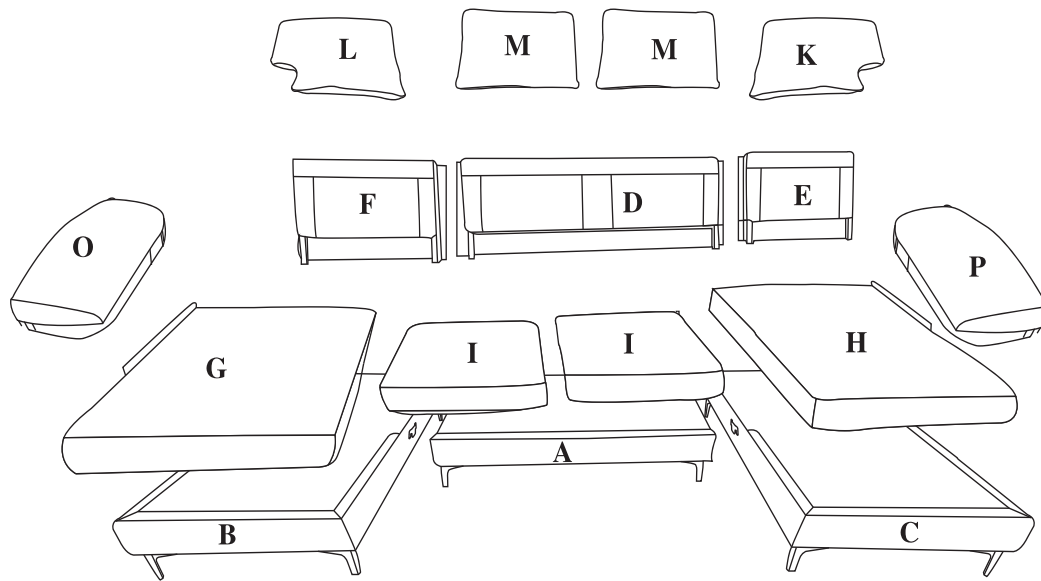
# INSTRUCTION MANUAL

## U SHAPED SECTIONAL

SHIP IN  
**3**  
BOX



# COMPONENTS




Q  12 X Sofa Leg

R  24 X Bolt  $\varphi 8 * 20\text{mm}$

S  12 X Bolt  $\varphi 8 * 60\text{mm}$

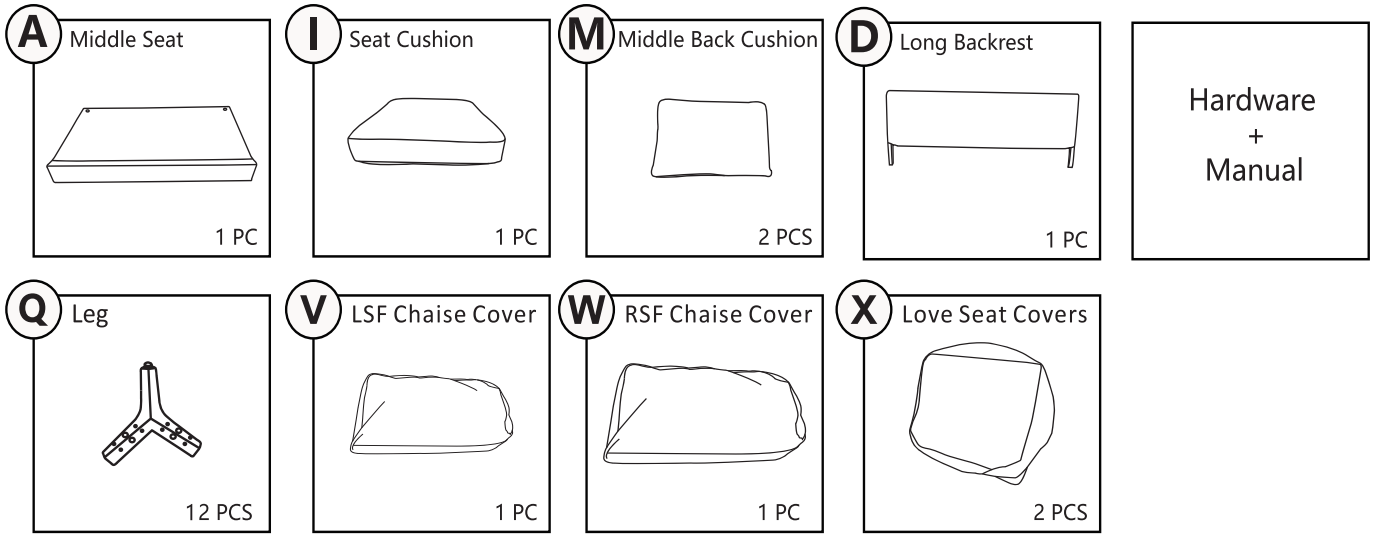
T  12 X Flat Washer

U  1 X Allen Key

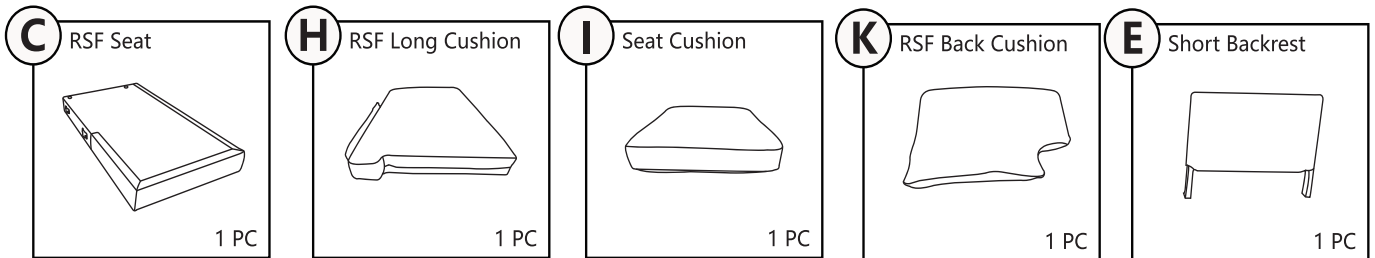
TOOLS REQUIRED:  SCISSORS (NOT INCLUDED)

# COMPONENTS

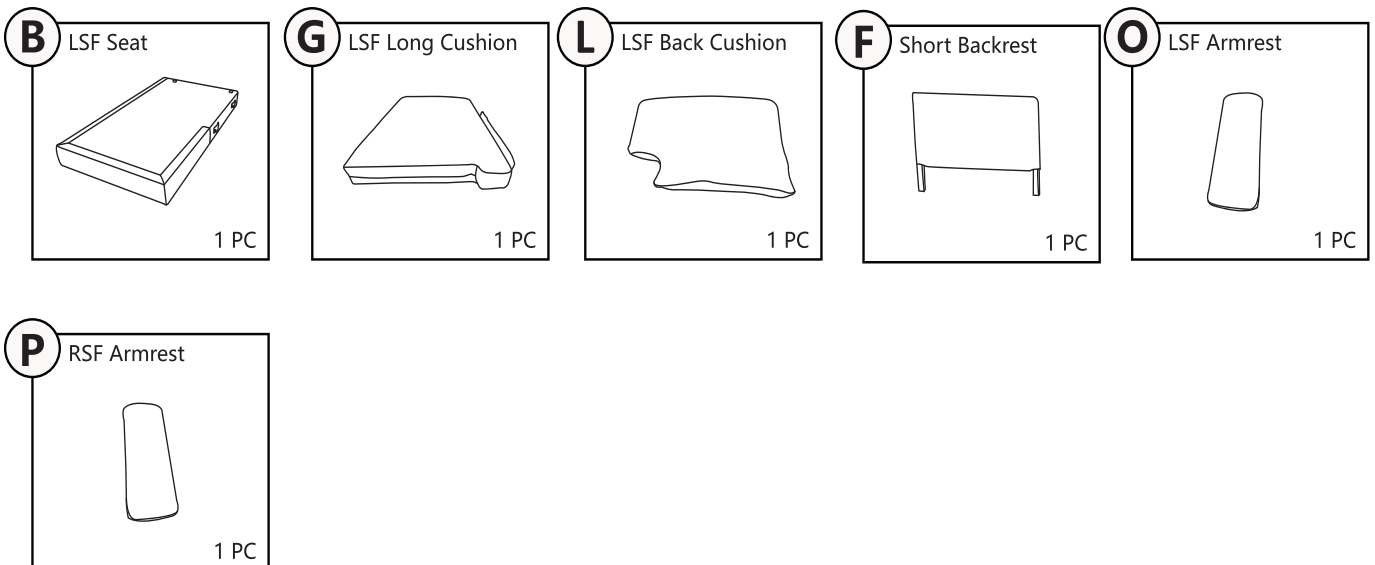
## BOX 1



## BOX 2

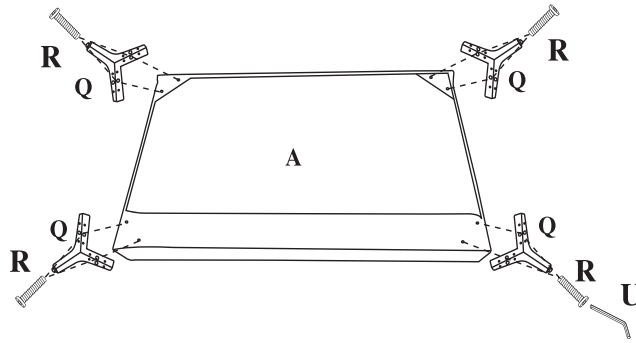
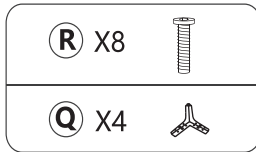


## BOX 3

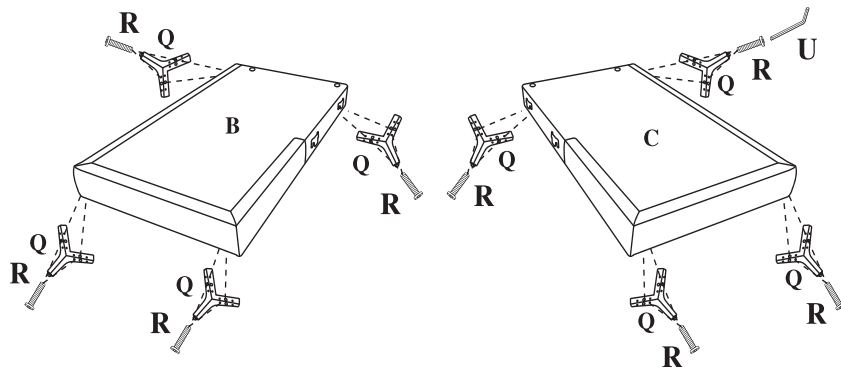
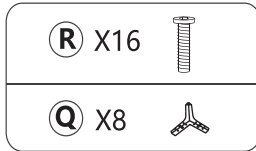


# ASSEMBLY STEPS

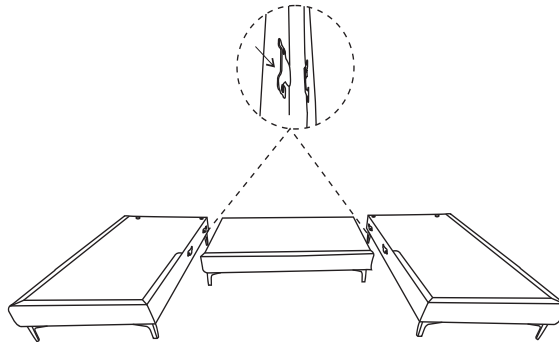
**STEP 1** Attach legs(Q)to the middle seat(A) with bolts(R).



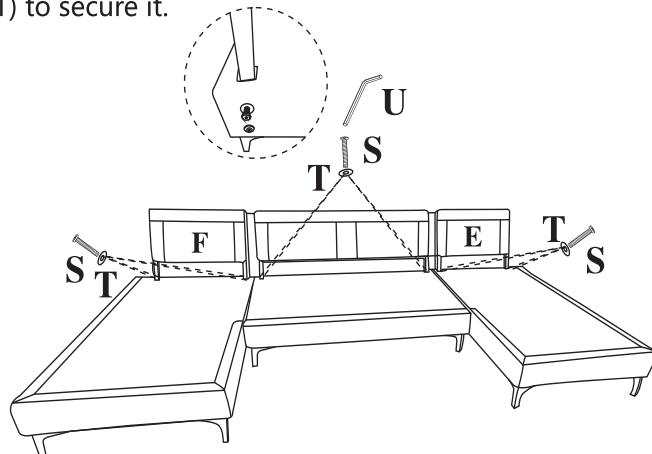
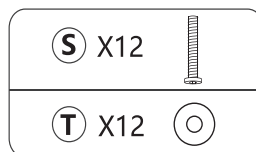
**STEP 2** Attach legs(Q)to the RSF seat(C) and LSF seat(B) with bolts(R).



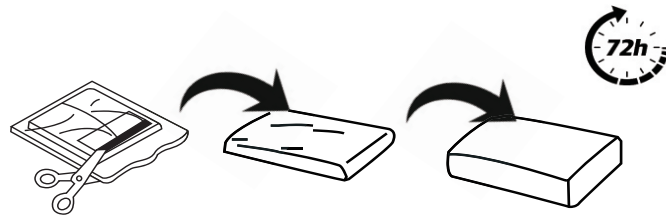
**STEP 3** Slide two long seat into the brackets on the middle seat.



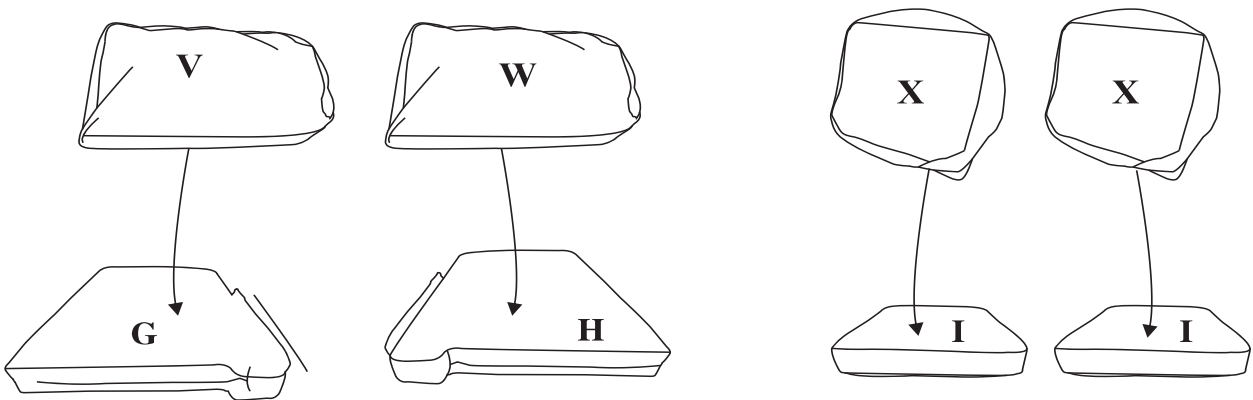
**STEP 4** Insert short backrests(E&F) and long backrest(D) into the designated holes,using bolts(S) and flat washers(T) to secure it.



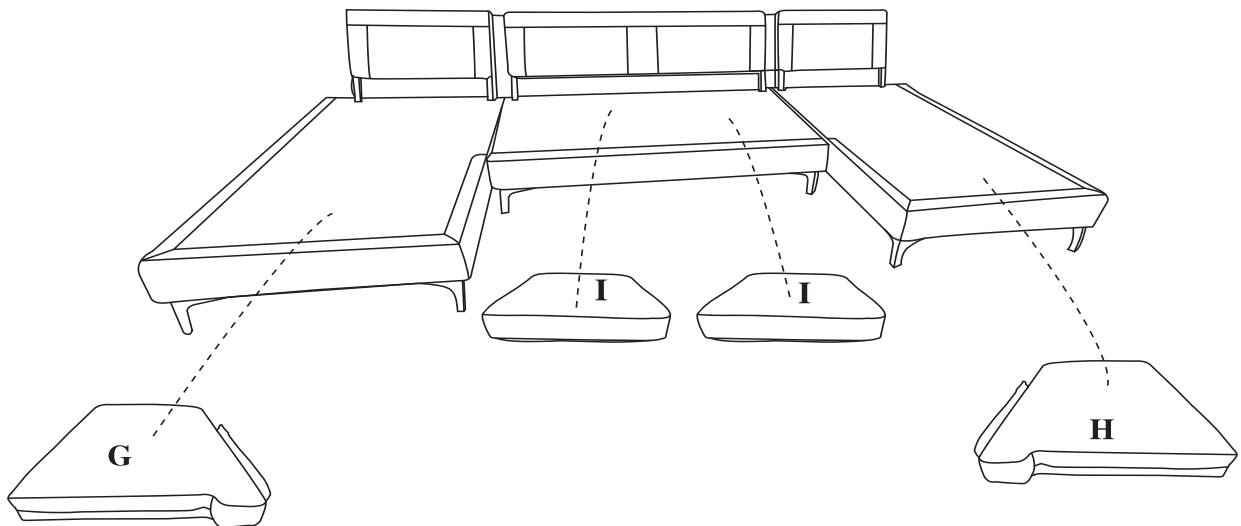
**STEP 5** Use scissors to open all the vacuum sealed cushions and armrests. It may take 24-72hrs to fully expand back to its original shape & firmness.



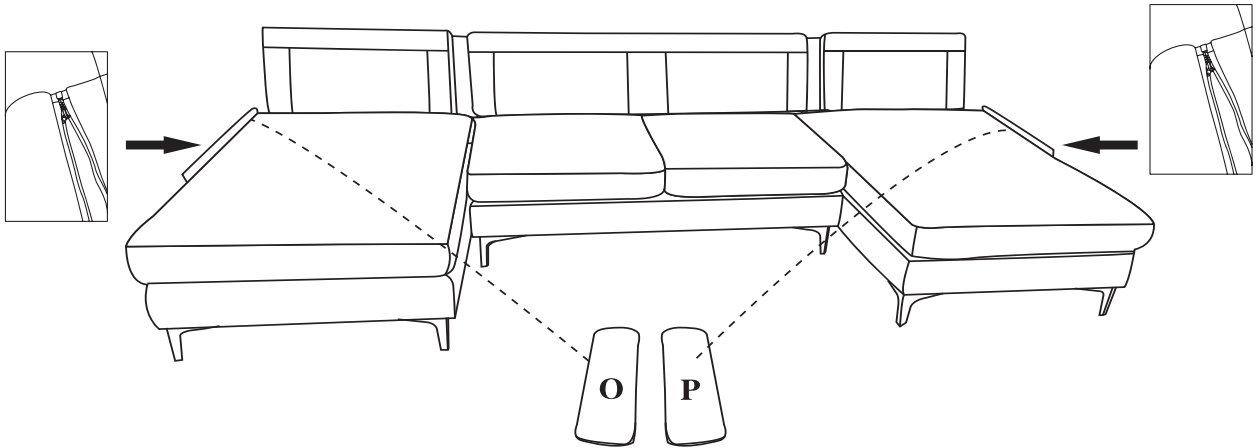
**STEP 6** Stuff all the seat cushions into the corresponding seat covers



**STEP 7** Place four seat cushions on the sofa.



**STEP 8** Attach armrests(O&P) into designated position.



**STEP 9** Place four back cushions on the sofa.

