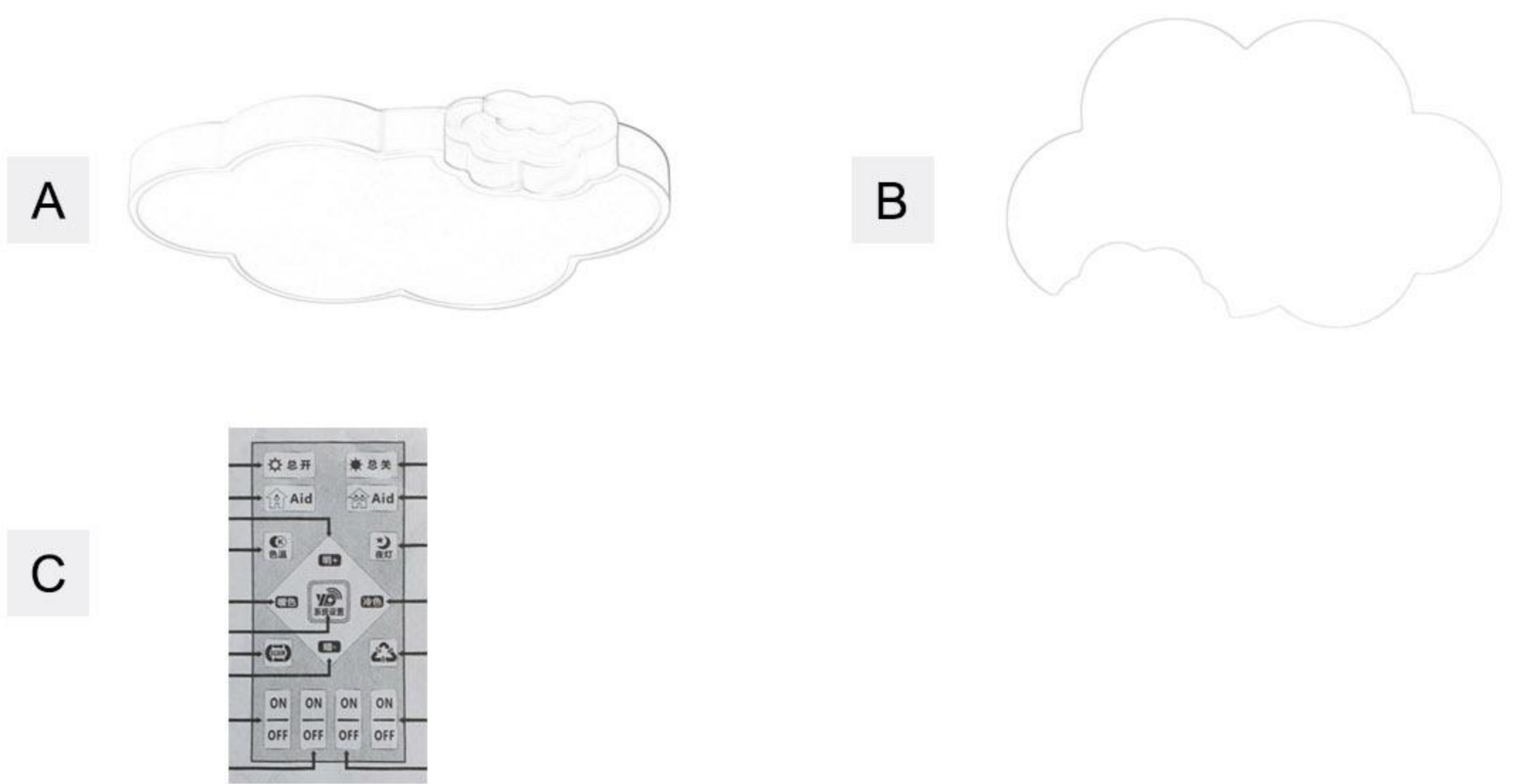


Assembly Instruction Sheet for Model 476718

Package Contents

Part	Description	Quantity
A	Fixture Body	1 pc.
B	Lamp Shade	1 pc.
C	Remote Controller	1 pc.



STEP 1

Mark the drilling position on ceiling with the help of the Fixture Body(A).
Drill holes on the marks and stick the expansion anchors into the holes.
Fix the Fixture Body(A) to the expansion anchors with self-tapping screws.

STEP 2

Hold the fixture close to ceiling.
Connect live line to wire color Black/Red from the Fixture Body(A).
Connect neutral line to wire color White/Blue from the Fixture Body(A).

STEP 3

Attach the Lamp Shade(B) to the Fixture Body(A).

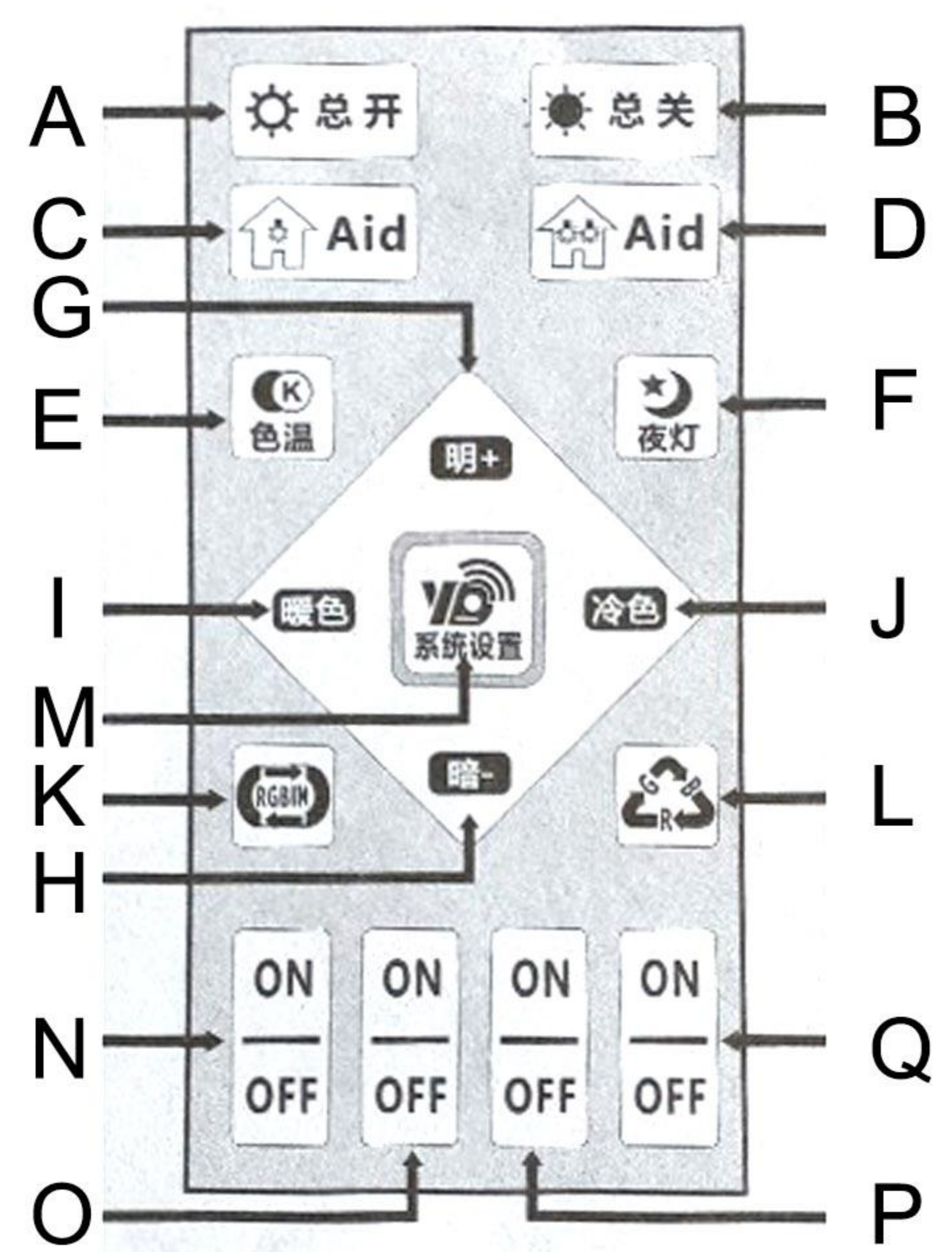
STEP 4

Put 2 triple A batteries into the Remote Controller(C).

Your fixture is now assembled and ready to use.

Instruction Sheet for Controller

Part	Chinese	English
A	总开	LIGHT ON
B	总关	LIGHT OFF
C	Aid (Left)	SECONDARY LIGHT SOURCE A
D	Aid (Right)	SECONDARY LIGHT SOURCE B
E	色温	COOL/NEUTRAL/WARM LIGHT
F	夜灯	NIGHTLIGHT
G	明+	INCREASE BRIGHTNESS
H	暗-	REDUCE BRIGHTNESS
I	暖色	INCREASE COLOR TEMPERATURE
J	冷色	REDUCE COLOR TEMPERATURE
K	RGBIN	RGB AUTO MODE
L	R→G→B	RGB MANUAL MODE
M	系统设置	GENERAL CONTROL (OF 4 GROUPS)
N	ON/OFF (A)	GROUP CONTROL A
O	ON/OFF (B)	GROUP CONTROL B
P	ON/OFF (C)	GROUP CONTROL C
Q	ON/OFF (D)	GROUP CONTROL D



Method of Matching Code

1. Press one of the GROUP CONTROL button within 5 seconds after light on, finished with the light flashes once.
2. Repeat the above step to finish the code matchings of the other 3 groups.
3. Finish code matching between GENERAL CONTROL and each GROUP CONTROL.