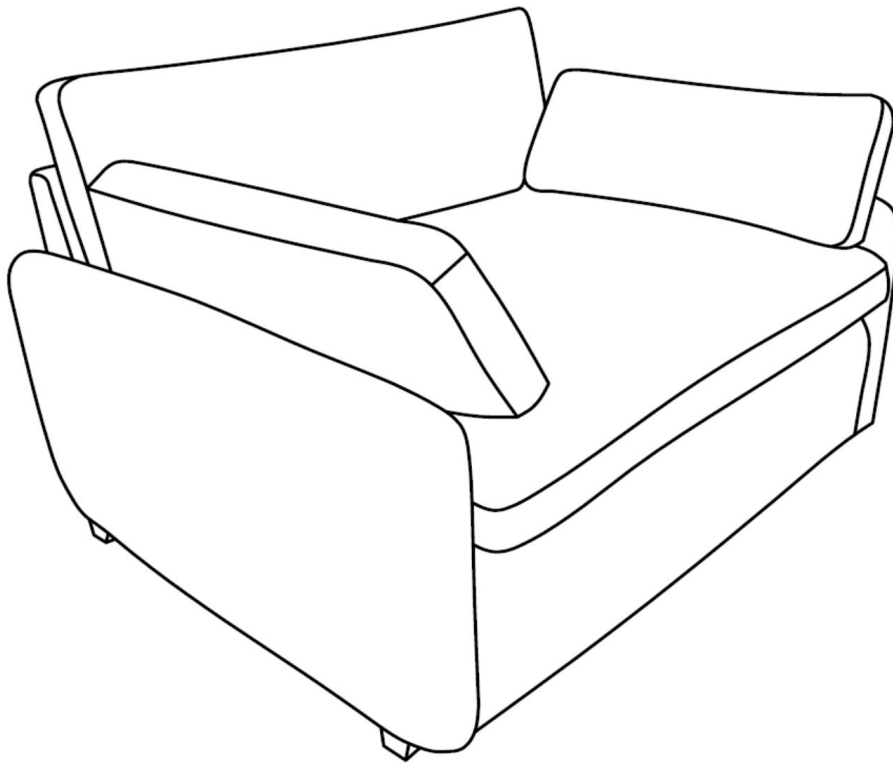


# ASSEMBLY INSTRUCTION



**Sets often ship in multiple boxes and delivery date may vary.**

## **CUSTOMER SERVICE**

**Questions, Missing parts, Assembly help?  
No need to return the product, we will gladly help and ship  
your replacement parts free of charge.**

# PRE-ASSEMBLY INFORMATION

**Please read this manual carefully before beginning assembly of this product. Keep this manual for future reference.**

## NOTICE

1. Please assemble it AFTER all boxes are received.
2. Please do not throw away any of the packages or the instruction until the sofa is fully assembled.
3. Please keep children away from the plastic bags or any small pieces of stuff.
4. Some key parts of our product may be stored and hidden inside of other parts. Please open any zippered or hook & loop storage compartments to take out all parts.
5. Please do not open the compressed packages until your sofa frame is completely assembled.
6. As the cushions are all vacuum compressed, there will be some wrinkles. Please give them up to 72 hours to reach its original size and the wrinkles will basically disappear.
7. DO NOT INSTALL THE SCREWS ALL THE WAY IN THE BEGINNING. Place each screw into their proper hole and use your hand to twist the screw halfway. Twist all the screws in halfway to ensure the holes will match up properly and the product is level on the ground. When everything seems fitted, then tighten the screws.
8. Do not over tighten screws and bolts to avoid stripping.



**2 adults recommended**

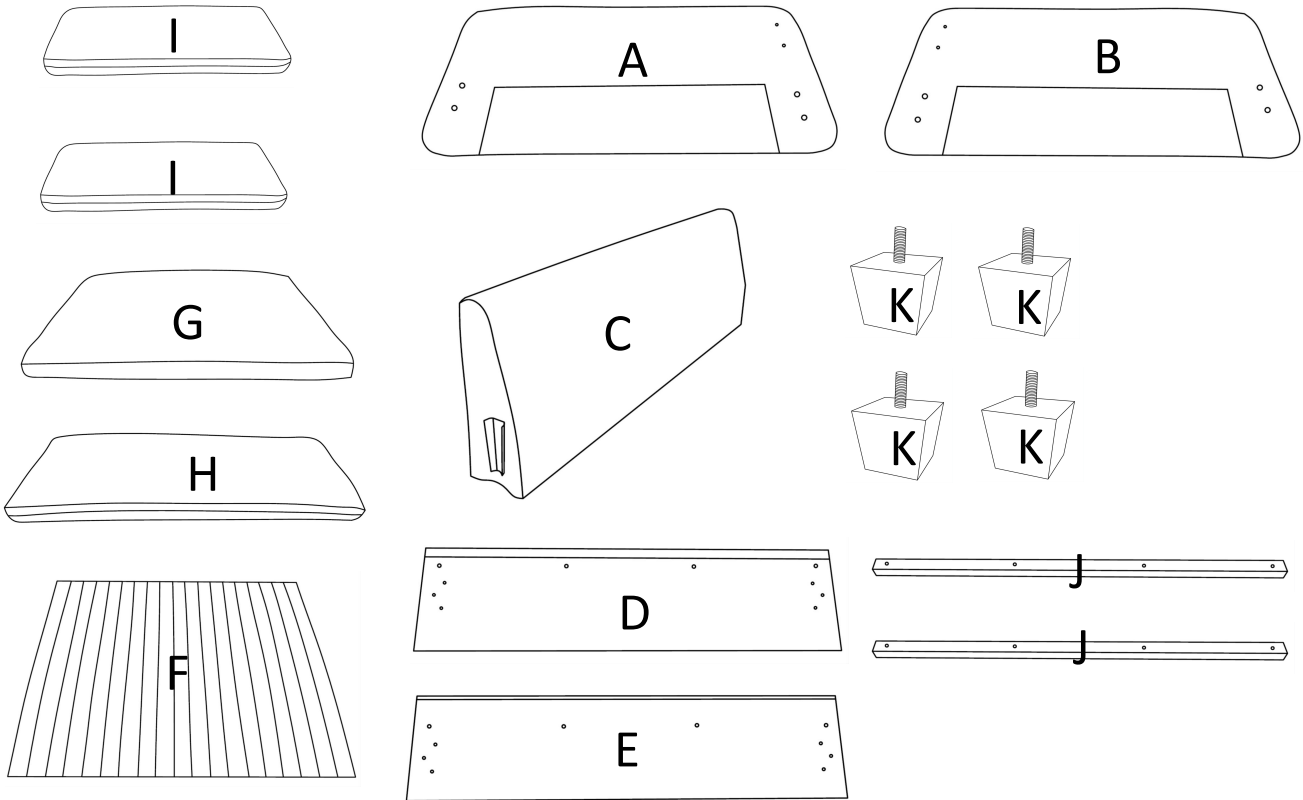


**Takes about 1.5 Hours to assemble**



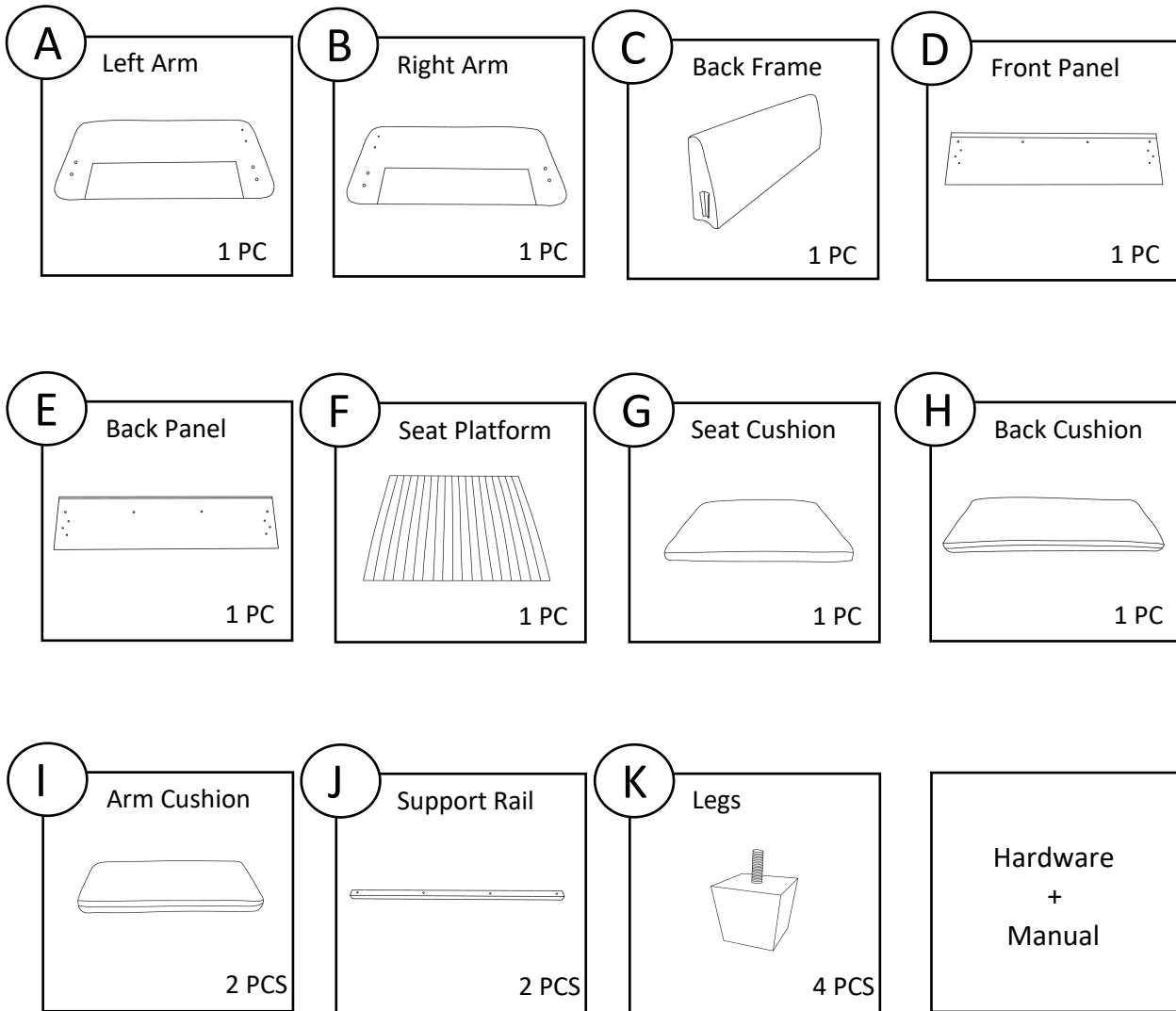
**Weight capacity of each seat: 330LBS**

# COMPONENTS



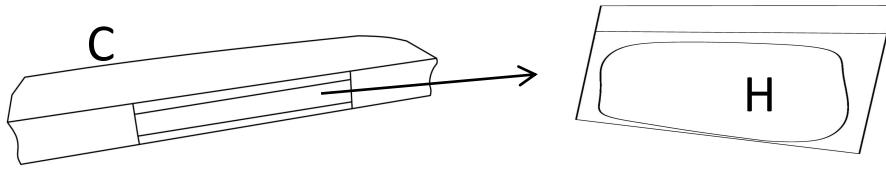
HARDWARE			
NO	DESCRIPTION	SKETCH	QTY
①	Gasket		4
②	Bolts M8x50mm		8
③	Washer		8
④	Spring Washer		8
⑤	Screws M6x20mm		16
⑥	Screws 30mm		28
⑦	Left L-shaped Hanger		2
⑧	Right L-shaped Hanger		2
⑨	Insert		2
⑩	Wrench		1

# COMPONENTS

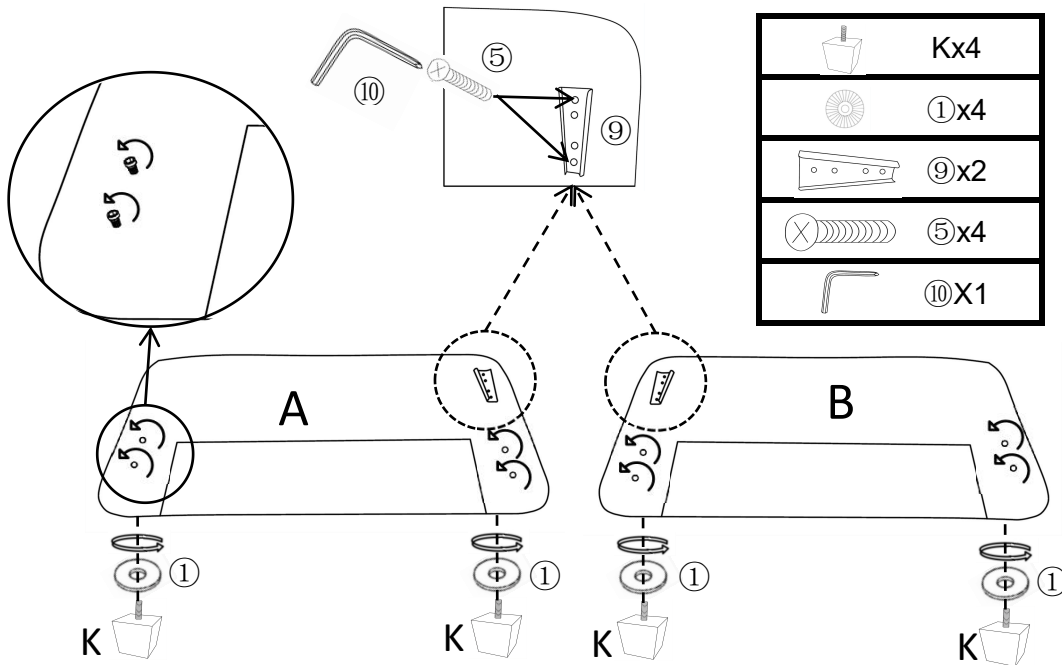


# ASSEMBLY STEPS

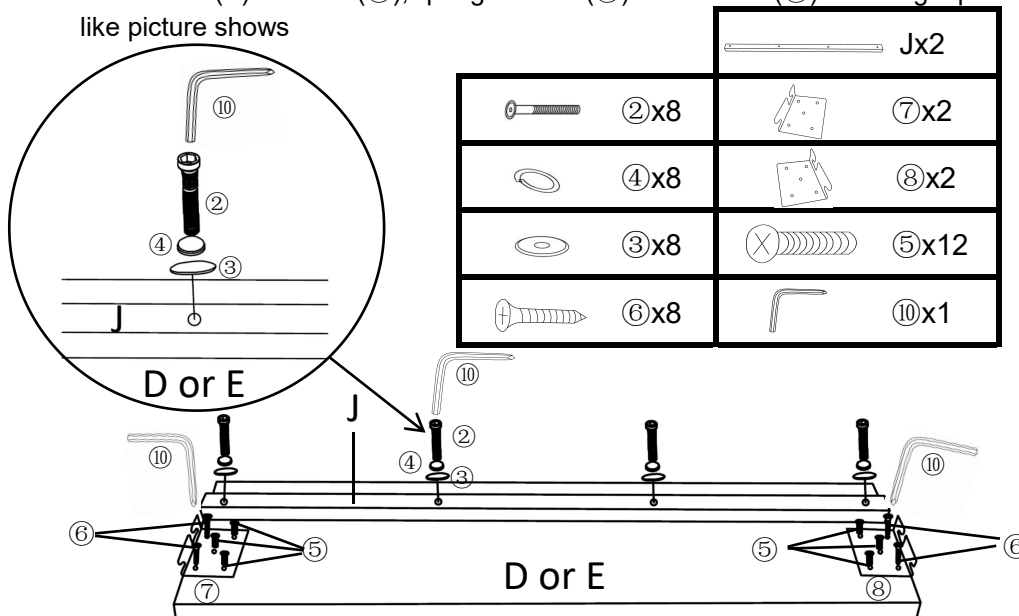
**STEP 1** Take the compressed Back Cushion(H) out from the Back Frame(C)



**STEP 2** 2.1 Rotate counterclockwise the bolts assembled on arms to 1cm out.  
 2.2 Connect the Insert(9) to each side arm with Screws(5) and Wrench(10)  
 2.3 Attach Legs(K) and Gaskets(1) to Left Arm(A) and Right Arm(B)



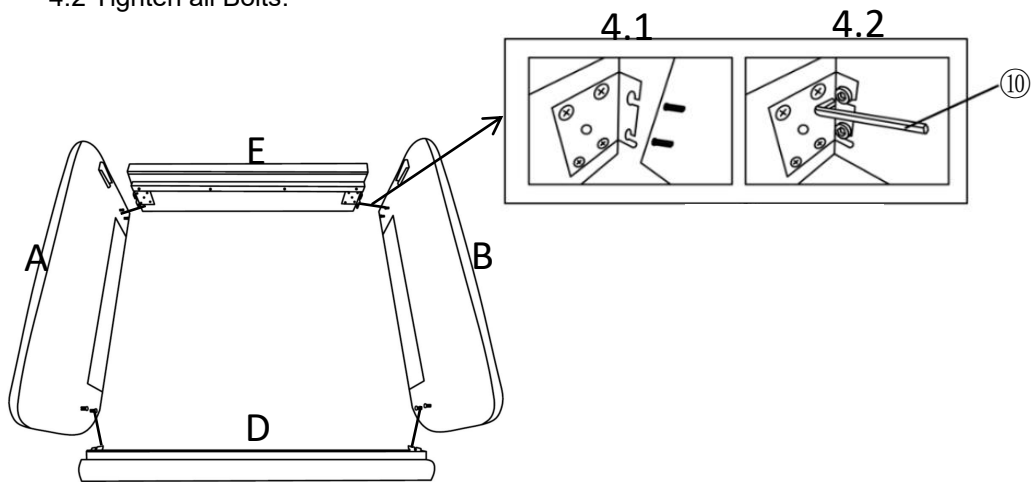
**STEP 3** 3.1 Attach the Support Rails(J) to the Front Panel(D) and Back Panel(E)  
 3.2 Attach the Left Hingers(7) and Right Hingers (8) to the Front Panel(D) and Back Panel(E) with Bolt(2), Spring Washer(4) and Washer(3) at the right position like picture shows



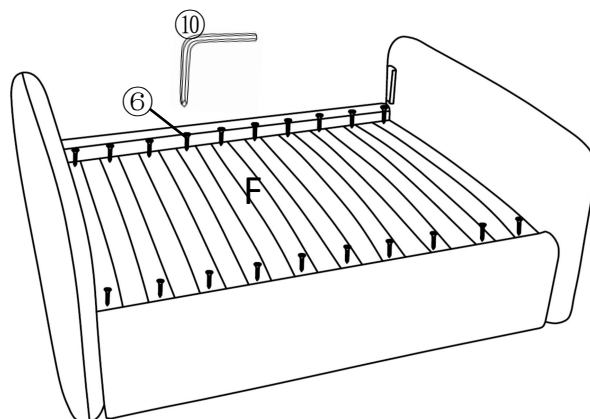
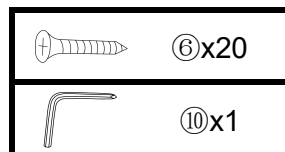
**STEP 4** Connect the Front Panel(D) and Back Panel(E) to the Left Arm(A) and Right Arm(B)

4.1 Put the Hangers both on the bolts.

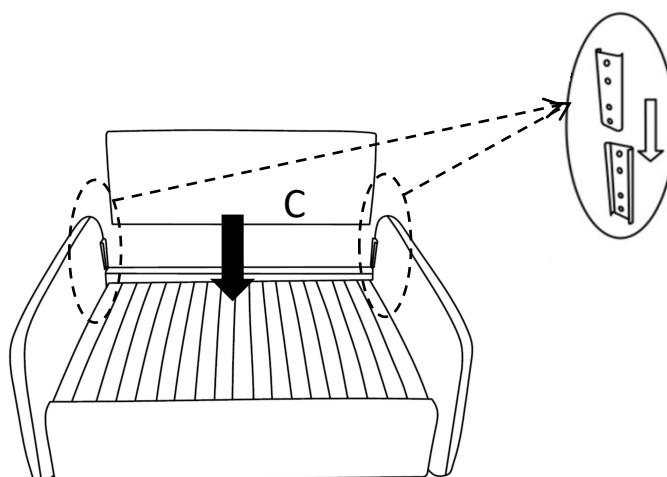
4.2 Tighten all Bolts.



**STEP 5** Fasten the Seat Platform(F) to the Seat Frame with Screw(6).



**STEP 6** Connect the Back Frame(C) to the Left Arm(A) and Right Arm(B) with Inserts



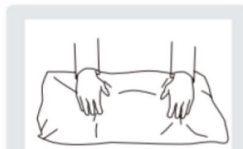
**STEP 7** Open the vacuum bag and take the cushions(G/H/I) out.  
To restore the original shape, follow the steps below.



Open the vacuum bag carefully.



Press and tap with both hands from the side to fully inhale air



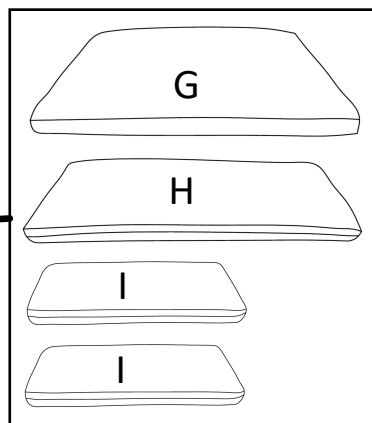
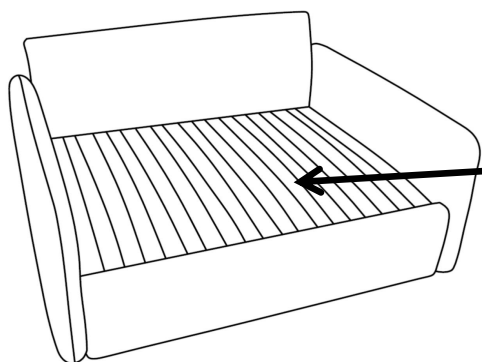
Press and tap with both hands from the front to fully infate.



Carefully smooth out each section until the surface is even.

After packing up, place them in somewhere dry and venslated. After about 72-96 hours. It can be restored to the best use condition.

**STEP 8** Put the Seat Cushion(G), Back Cushion(H) and Arm Cushions(I) on the assembled Chair Frame



**STEP 9** Complete

