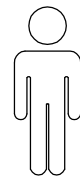
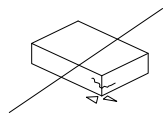
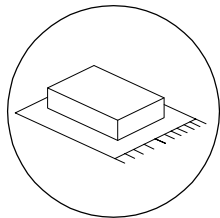
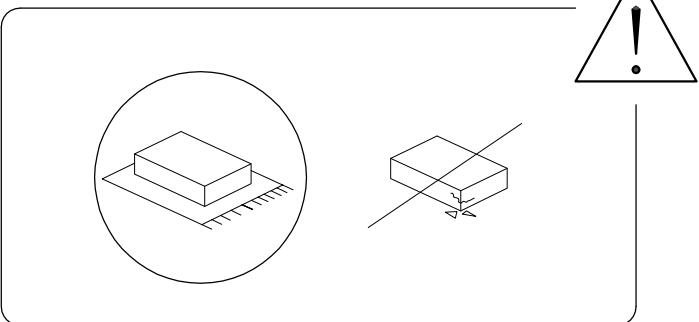
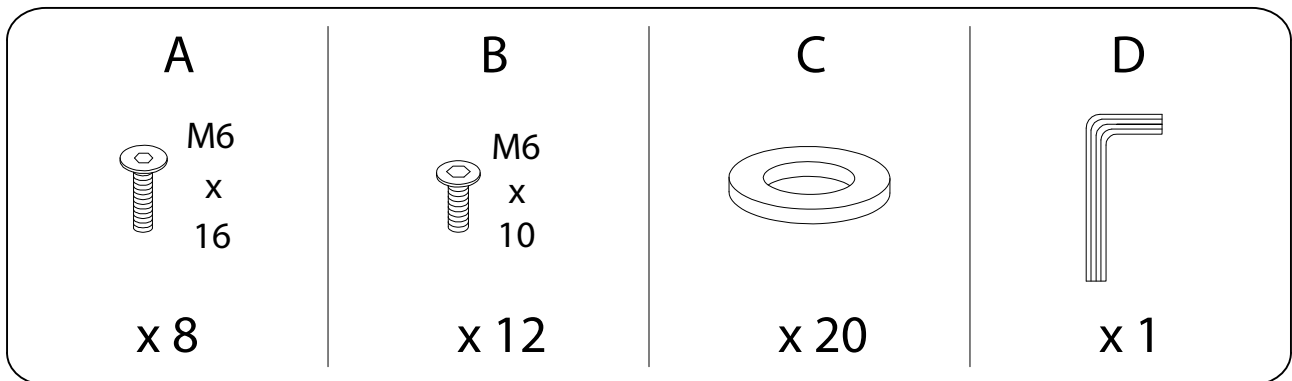
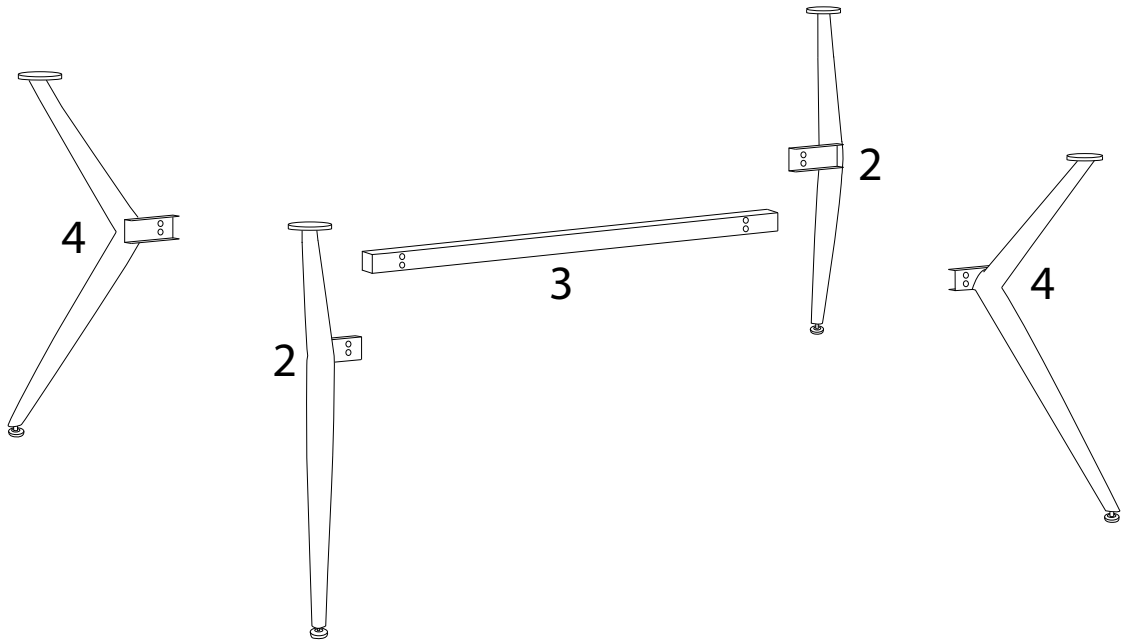
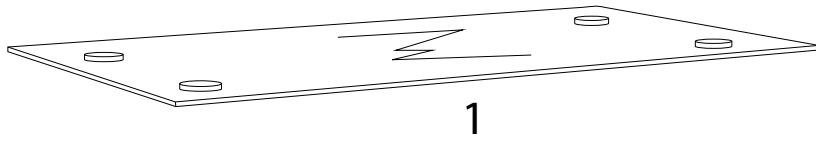
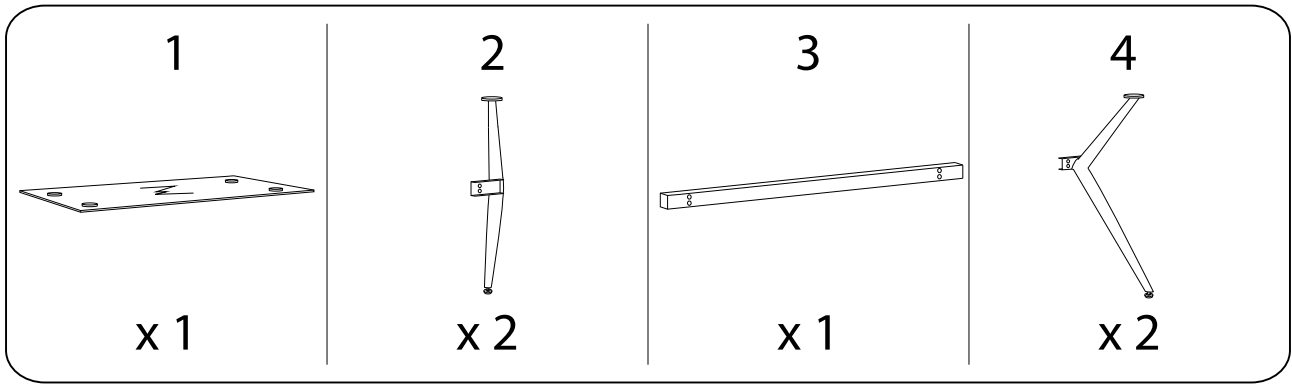


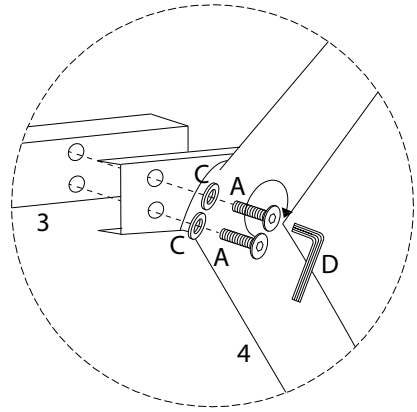
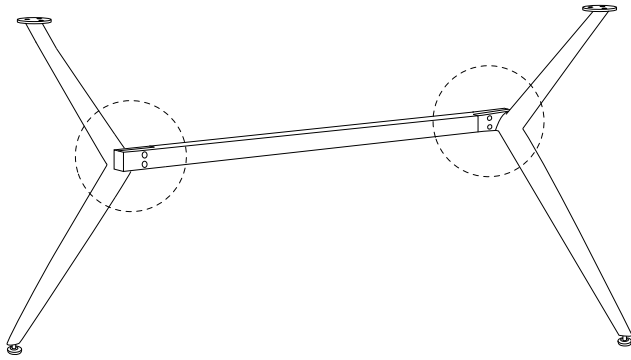
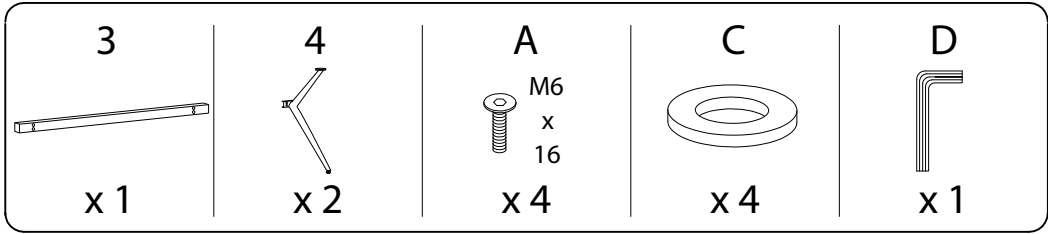
30'



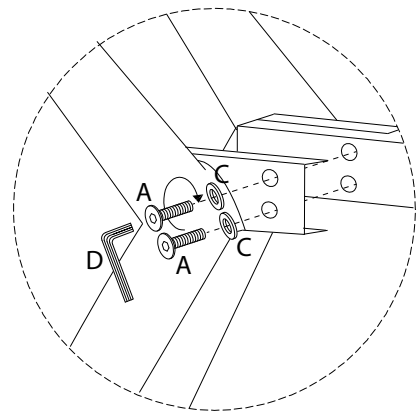
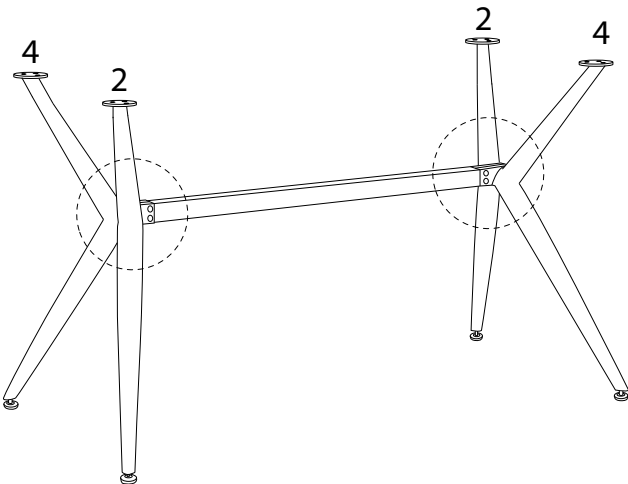
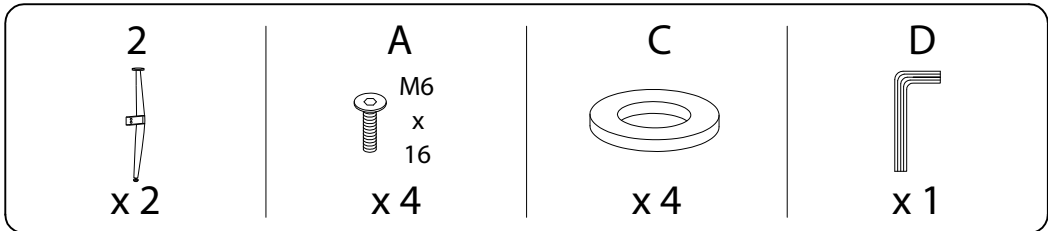
2






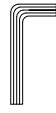
1

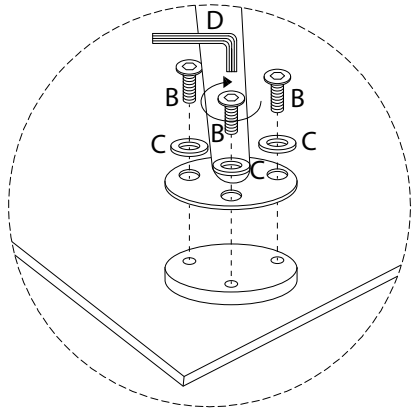
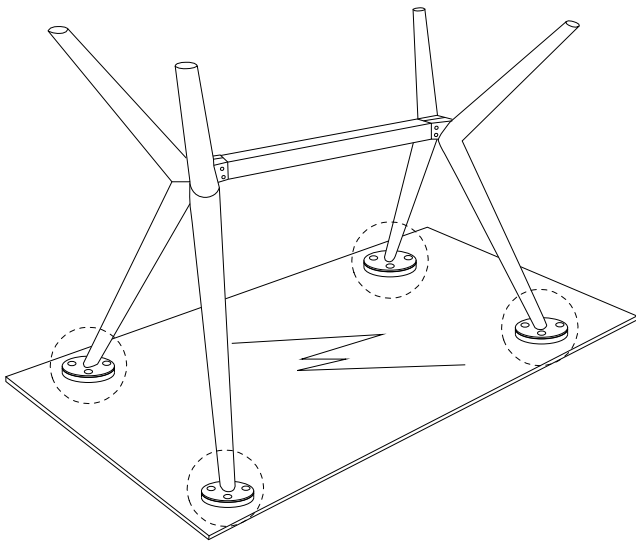


2



3

<p>1</p>  <p>x 1</p>	<p>B</p>  <p>M6 x 10</p> <p>x 12</p>	<p>C</p>  <p>x 12</p>	<p>D</p>  <p>x 1</p>
---	---	---	---



!

