

Assembly Instructions

WARNING!!

Furniture Tipping Risk.

Serious risk of severe or fatal crush injuries can occur from furniture tipping over if not secured.

Children like to climb on furniture and Unsecured furniture can pose a serious danger.

Please follow all instructions and install the tip-over restraints provided.

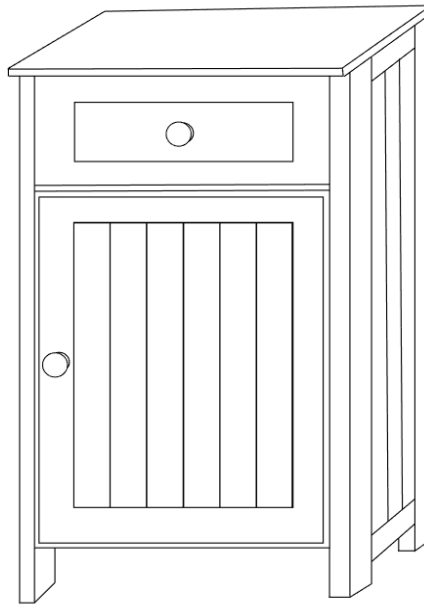
In addition to installing the restraints, to help prevent tip-over:

- 1. Place heaviest items in the lowest drawers;**
- 2. Unless specifically designed to accommodate, do not set TV's or other heavy objects on top of this product;**
- 3. Never allow children to climb or hang on drawers, doors, or shelves;**
- 4. Do not leave drawers open;**
- 5. Never open more than one drawer at a time;**
- 6. Do not step on the base.**

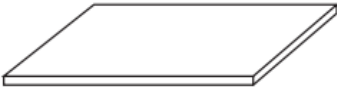




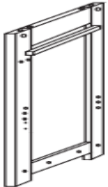
Caution : You must read this before you proceed

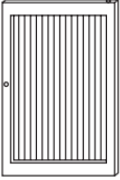
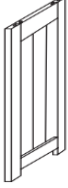
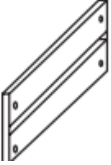
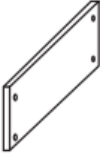



Please look in the velcro pouch for hardware packs and legs

Cabinet


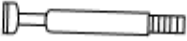

















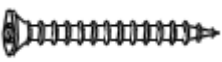
Parts List





Label	Picture	Description	QTY
A		Top Panel	1
B		Shelf Panel	1
C		Support Panel	1
D		Bottom Panel	1
E		Back Panel	1
F		Left Side Panel	1

G		Door Panel	1
H		Right Side Panel	1
I		Drawer Left Side Panel	1
J		Drawer Right Side Panel	1
K		Drawer Front Panel	1
L		Drawer Back Panel	1
M		Drawer Base Panel	1

Hardware

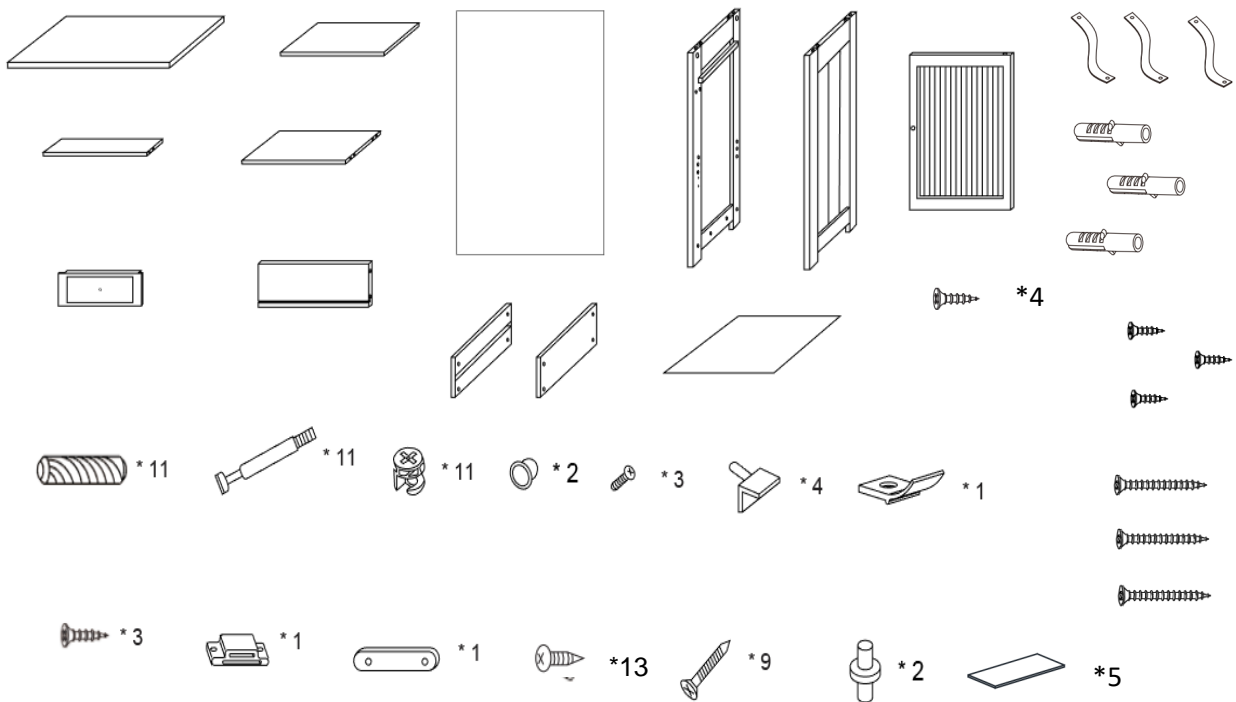
Label	Picture	Description	QTY
①		Dowel (M6x30mm)	11
②		Cam Bolt	11
③		Cam Nut	11
④		Door Knob	2

⑤		Screw (M4x16mm)	3
⑥		Shelf Support	4
⑦		Magnet	1
⑧		Screw (M3x14mm)	3
⑨		Magnet Strip	1
⑩		Screw (M2.5x10mm)	13
⑪		Screw (M3x25mm)	9
⑫		Door Pin	2
⑬		Stopper	1
⑭		Screwdriver (Not provided)	1
⑮		Pad	5
⑯		Screw (M3x12mm)	4
Restraint Device Hardware			
⑰		Screw (M3x14mm)	3
⑱		Screw (M4x40mm)	3

①9		Hammer (Not Provided)	1
②0		Power Drill (Not Provided)	1
②1		Restraint Strap	3
②2		Wall Anchor	3

Assembly Preparation

Before Beginning Assembly:



- Read instructions, cover to cover-



- Have 2 adults on hand for assembly-



- Do not assemble on flooring or carpet-



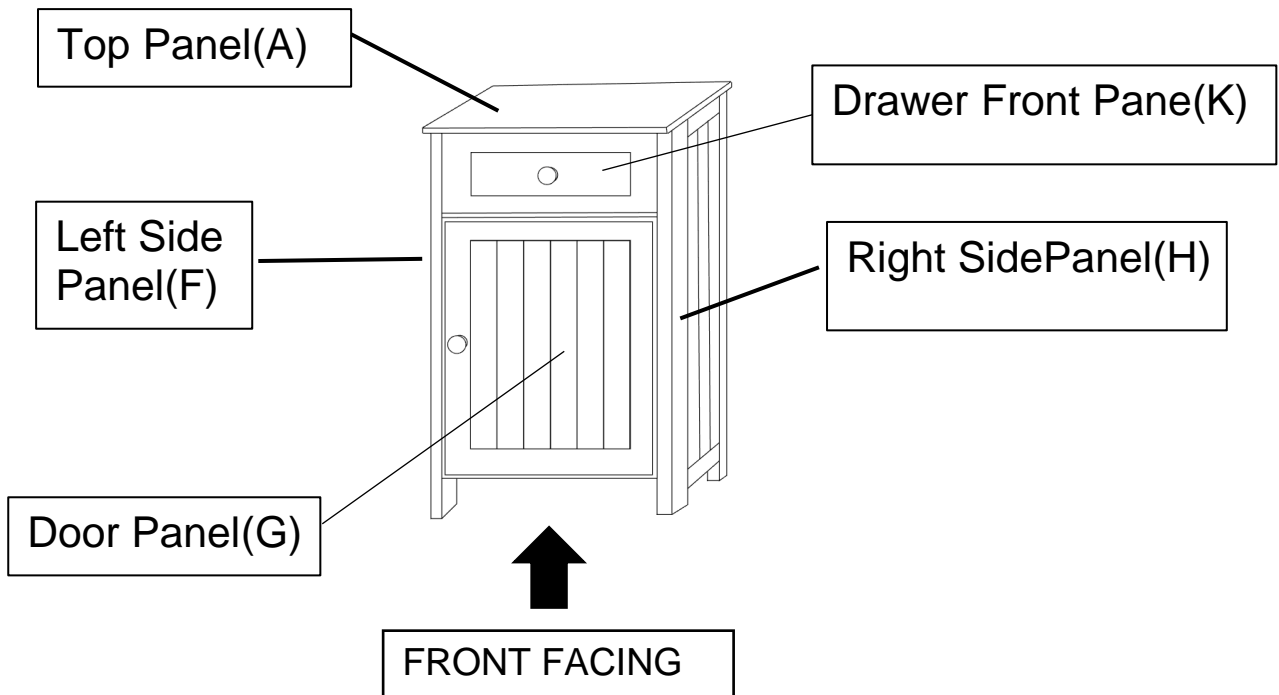
- Assemble on a clean non-marring surface (packing foam)-



- Save all packaging until finished-

Assembly Steps

Overview

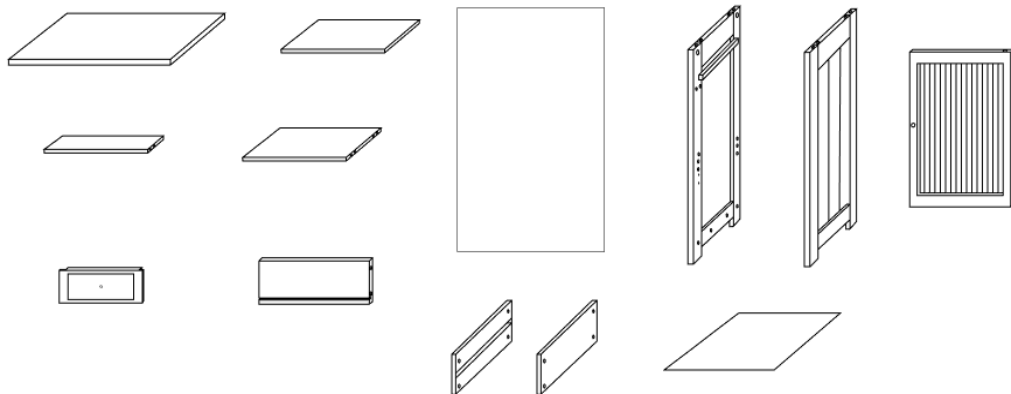


This Cabinet has multiple parts and may require up to 30 minutes to assemble.

To give you an overview of the Cabinet parts, the above picture is to help you put the various parts into perspective.

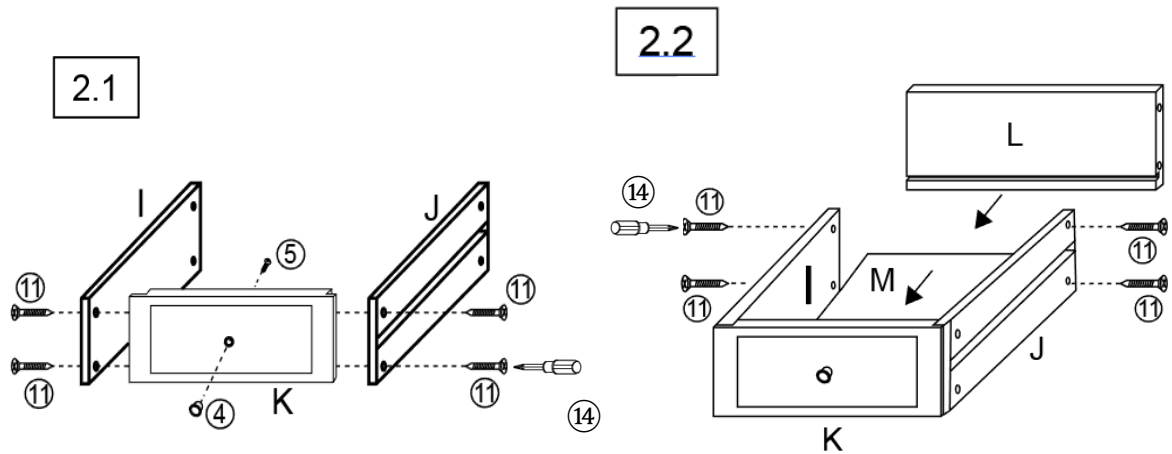
Please read through the instructions below to familiarise yourself with the parts and steps before assembly.

Step 1



Unpack and place all parts on a clean, non-marring surface.

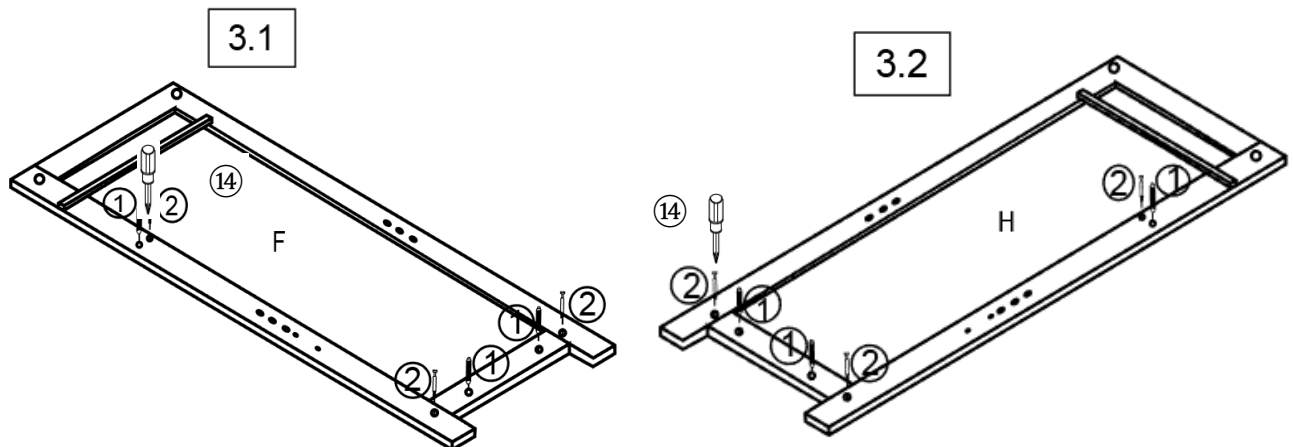
Step 2



2.1) Attach Door Knob(④) to the mounting positions on Drawer Front Panel(K) using Screw(⑤) with Screwdriver(⑭). Attach Drawer Left Side Panel(I) and Drawer Right Side Panel(J) to the Drawer Front Panel(K) using Screw(⑪) with Screwdriver(⑭) as shown.

2.2) Insert Drawer Base Panel(M) into the grooves on the Drawer Left Side Panel(I), Drawer Right Side Panel(J) and Drawer Front Panel(K), attach Drawer Back Panel(L) to the Drawer Left Side Panel(I) and Drawer Right Side Panel(J) using Screw(⑪) with Screwdriver(⑭).

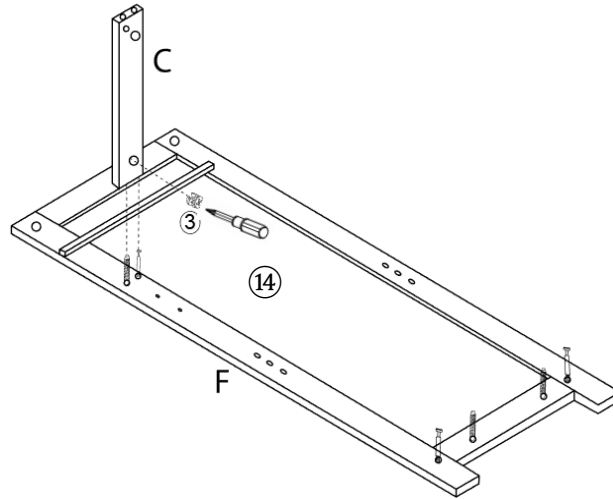
Step 3



3.1) Insert Dowel(①) into the mounting positions on Left Side Panel(F). Insert Cam Bolt(②) into the mounting positions on Left Side Panel(F) using Screwdriver(⑭) as shown.

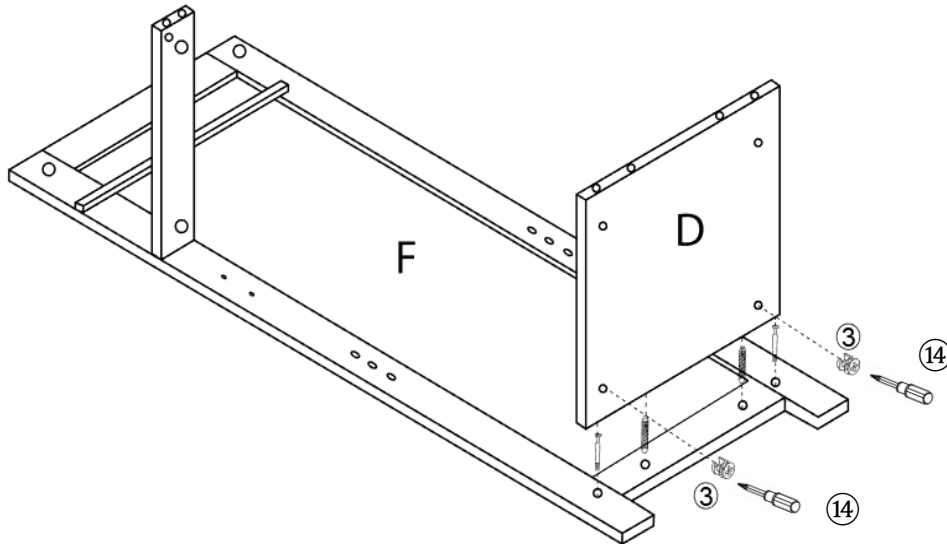
3.2) Insert Dowel(①) into the mounting positions on Right Side Panel(H). Insert Cam Bolt(②) into the mounting positions on Right Side Panel(H) using Screwdriver(⑭) as shown.

Step 4



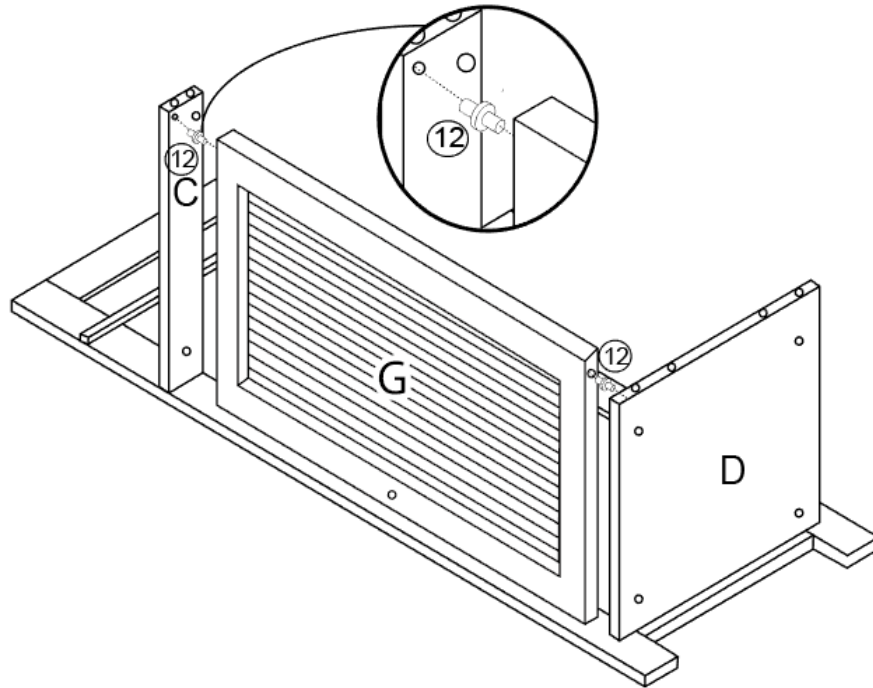
Insert Support Panel(C) into the Dowel and Cam Bolt on Left Side Panel(F), then insert Cam Nut(③) into Support Panel(C) using Screwdriver(⑭) as shown.

Step 5



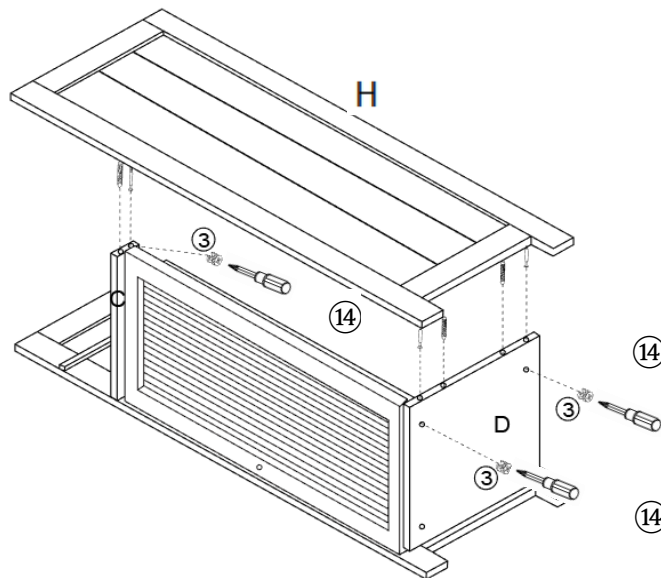
Attach Bottom Panel(D) to the Dowel and Cam Bolt on Left Side Panel(F), insert Cam Nut(③) into the Bottom Panel(D) using Screwdriver(⑭) as shown.

Step 6



Attach Door Panel(G) to the mounting positions on Support Panel(C) and Bottom Panel(D) with Door Pin(12) to connect them.

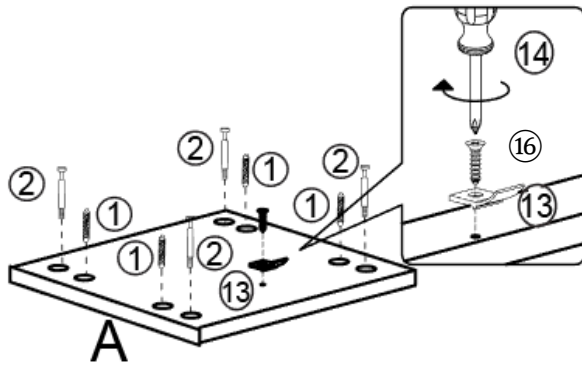
Step 7



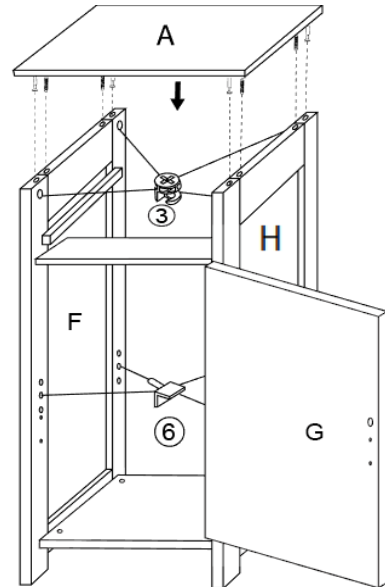
Attach Right Side Panel(H) to the mounting positions on Support Panel(C) and Bottom Panel(D) using Cam Nut(3) with Screwdriver(14).

Step 8

8.1



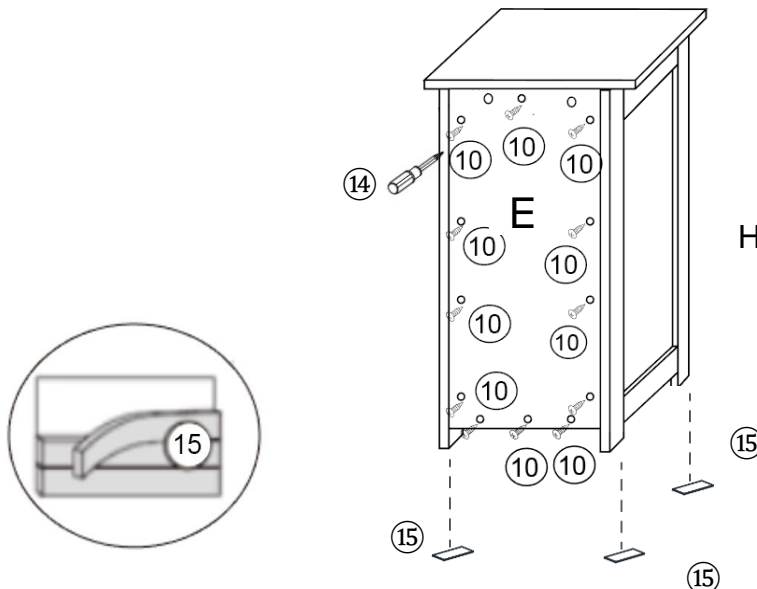
8.2



8.1) Insert Dowel(①) into the mounting positions on Top Panel(A), then attach Cam Bolt(②) to the mounting positions on Top Panel(A) using Screwdriver(⑭) as shown. Attach Stoper(⑬) to the Top Panel(A) using Screw(⑯) with Screwdriver(⑭).

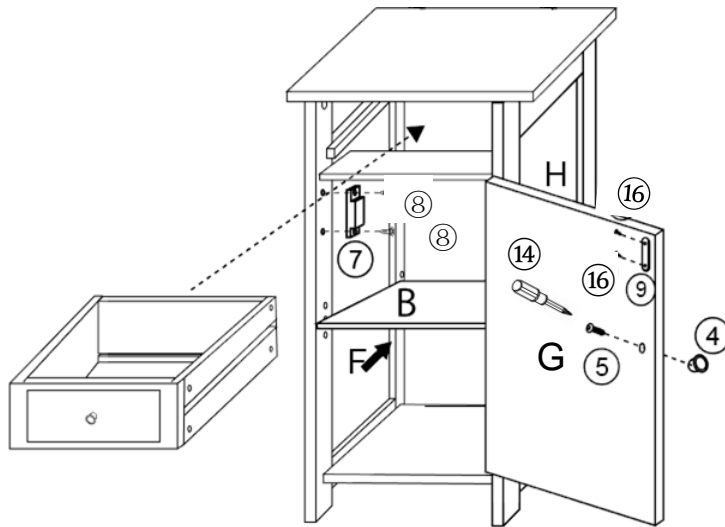
8.2) Attach Top Panel(A) to the mounting positions on Left Side Panel(F) and Right Side Panel(H) using Cam Nut(③) with Screwdriver(⑭). Attach Shelf Support(⑥) to the mounting positions on Left Side Panel(F) and Right Side Panel(H).

Step 9



Attach Back Panel(E) to the back of cabinet using Screw(⑩) with Screwdriver(⑭). Peel a Pad(⑮) off the backing and apply it squarely to a leg as shown in the picture. Repeat this step with the remaining three feet.

Step 10



Attach Door Knob(④) to the Door Panel(G) using Screw(⑤) with Screwdriver(⑭).

Attach Magnet Strip(⑨) the Door Panel(G) using Screw(⑯) with Screwdriver(⑭), then attach Magnet(⑦) the Left Side Panel(F) using Screw(⑧) with Screwdriver(⑭).

Place Shelf Panel(B) onto the Shelf Support(⑥) on Left Side Panel(F) and Right Side Panel(H).

Carefully insert the drawer into the Cabinet along the Runners and Runner Tracks.



WARNING

Serious or fatal crushing injuries can occur from tipping furniture.

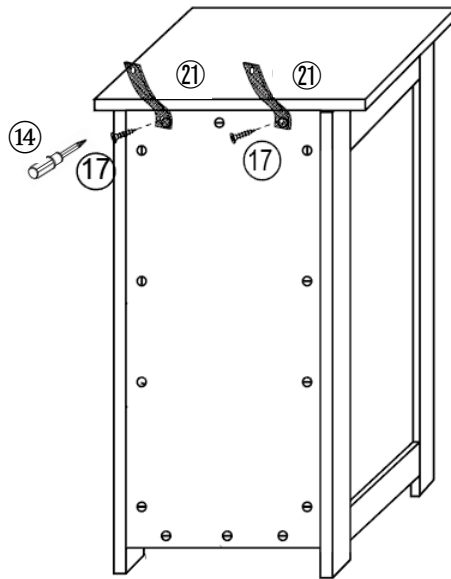
To help prevent tip-over: ALWAYS secure this furniture to the wall using Cabinet Restraint Device.

See product instructions for more ways to help prevent furniture tip-over.



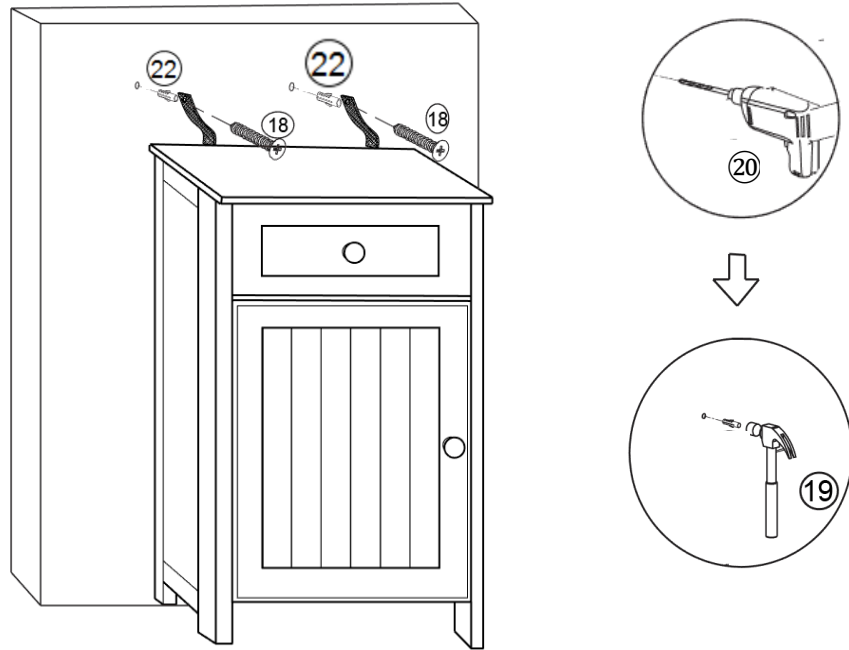
Usage For Cabinet Restraint Device:

Step 11



Attach Restraint Strap(21) to the Back Panel(E) using Screw(17) with Screwdriver(14).

Step 12



Drill two mounting positions on the wall with Power Drill(20), insert Wall Anchor(22) into drilled mounting position on the wall with Hammer(19). Move the cabinet back to the wall, lock by Screw(18) with Screwdriver(14).

Care & Maintenance



- Do not put hot items directly on furniture surface



- Do not clean furniture with harsh cleansers or polish.



- Do not place furniture under direct sunlight.



- Do not place furniture near heating or cooling vents.



- Do not write on furniture without a padded barrier to protect the surface.



- Do not place furniture outside . For indoor use only .



- Not for commercial use. For residential use only .



- Stains may be removed with mild soap solution and damp cloth.



- Children should not climb or jump on the furniture.



- Dust and pick-up spills using a clean, non-colored, lint-free cloth .