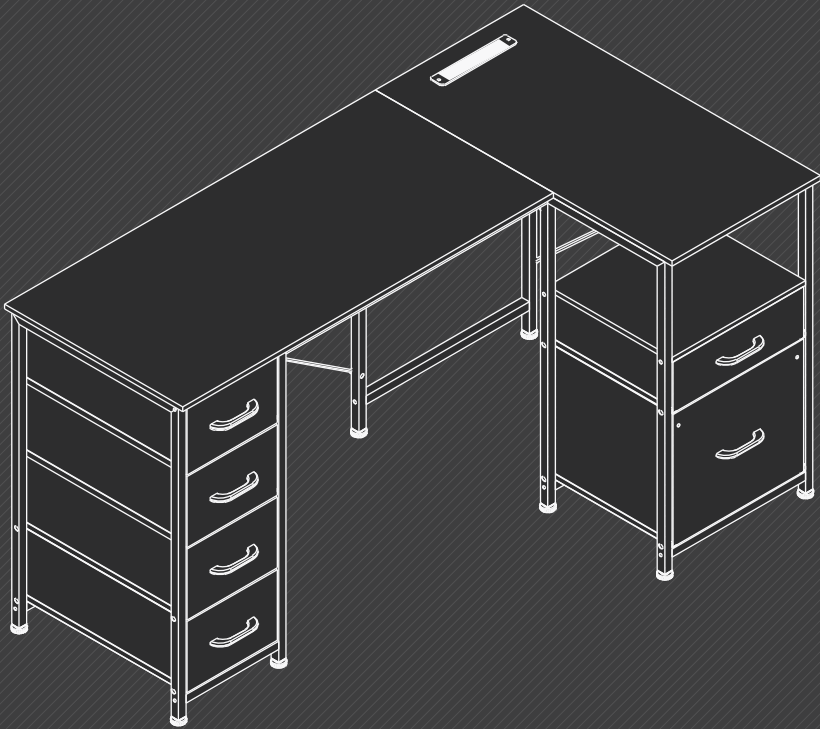




L SHAPED DESK WITH 5 DRAWERS & FILE DRAWER



USER MANUAL



Contents

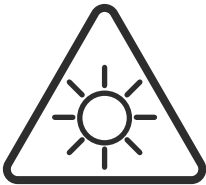
TOPIC		PAGE
01	SAFETY INSTRUCTIONS	01-01
	1-1 Thank You For Choosing Our Product	01
	1-2 Precautions	01
02	INSTALLING MODULES	02-27
	2-1 Disassembly Diagram	02
	2-2 Parts List	03-04
	2-3 Assembly Instructions	05-27
03	CUSTOMER SERVICE	28
	3-1 30-Day Return Policy	28
	3-2 1-Year Warranty	28
	3-3 Quick Response Within 24 Hours	28
04	PROBLEMS YOU MAY ENCOUNTER	29
	4-1 Problems You May Encounter	29

Safety Instructions

Thank You For Choosing Our Product

Before assembly, please read this USER MANUAL first, and check according to Parts List to make sure all parts are included. Feel free to contact us if you have any concerns or questions about your product, we are always ready to help. Your satisfaction is our first priority!

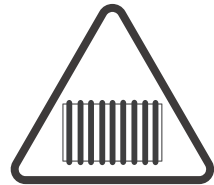
Precautions



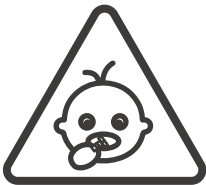
- Avoid long-term direct sunlight exposure.



- Keep away from sharp objects.



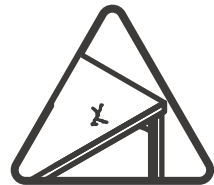
- Keep away from heat.



- Keep infants/children away from assembly parts to avoid choking and suffocation.

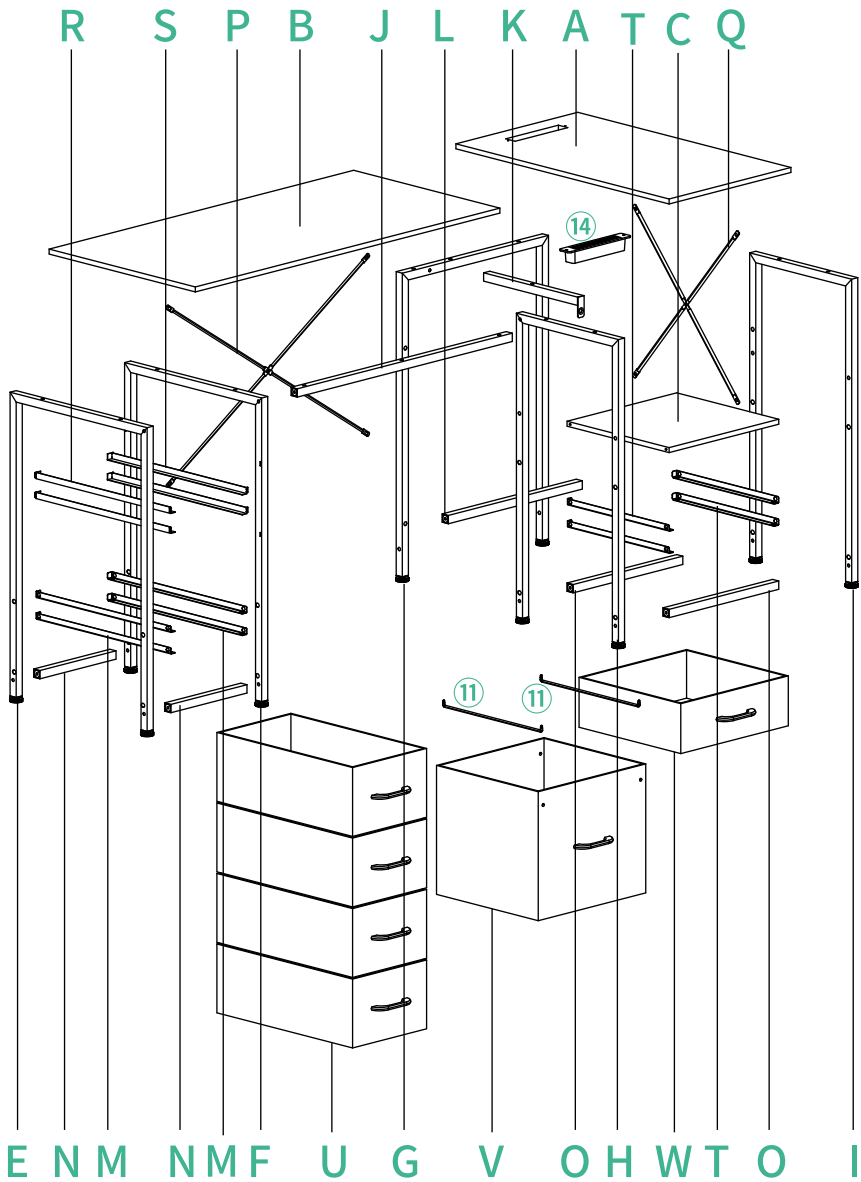


- Keep away from corrosive substances.



- Pay attention to avoid over-tightening fasteners, or they may induce cracking within the board.

Disassembly Diagram



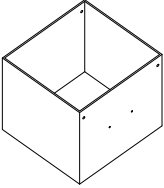
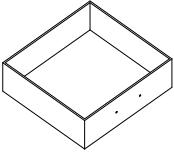
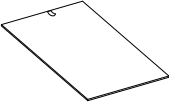
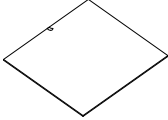
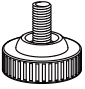




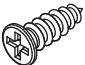




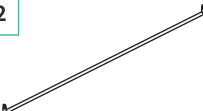


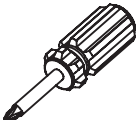
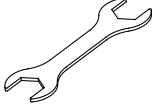
Parts List

For ease and safety, we recommend two people for assembly.



A x1 	B x1 	C x1 	E x1
F x1 	G x1 	H x1 	I x1
J x1 	K x1 	L x1 	M x4
N x2 	O x2 	P x1 	Q x1
R x2 	S x2 	T x4 	U x4

Parts List

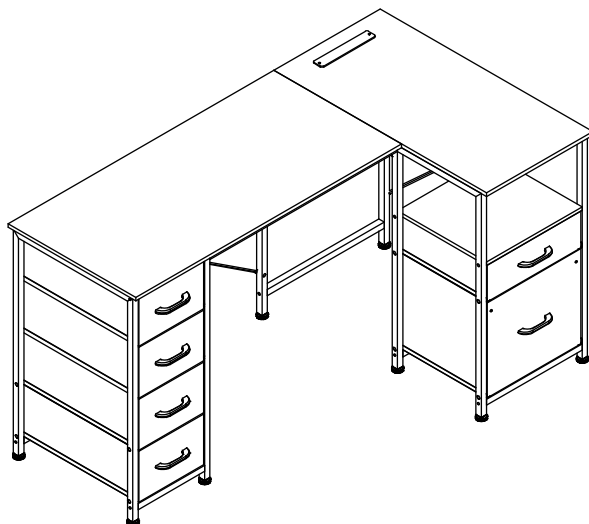
<p>V x1</p> 	<p>W x1</p> 	<p>X x4</p> 	<p>Y x2</p> 
<p>1 x12</p>  <p>2 Spares</p>	<p>2 x15</p>  <p>M6x10</p> <p>2 Spares</p>	<p>3 x31</p>  <p>M6x28</p> <p>3 Spares</p>	<p>4 x5</p>  <p>ST6x50</p> <p>1 Spare</p>
<p>5 x14</p>  <p>ST4x14</p> <p>2 Spares</p>	<p>6 x3</p>  <p>ST4x10</p> <p>1 Spare</p>	<p>7 x6</p> 	<p>8 x5</p>  <p>1 Spare</p>
<p>9 x18</p>  <p>M6x20</p> <p>2 Spares</p>	<p>10 x18</p>  <p>2 Spares</p>	<p>11 x2</p> 	<p>14 x1</p> 
<p>15 x2</p>  <p>1 Spare</p>	<p>16 x1</p> 	<p>17 x1</p> 	

Assembly Instructions

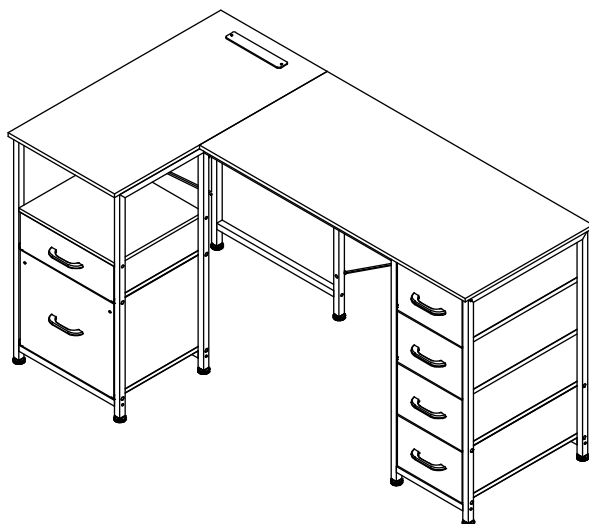


Attention: The shelves can be installed on either side, you can choose one instruction as you prefer.

1R-13R: Shelves on the right side.




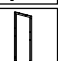
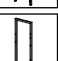
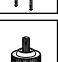
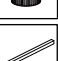




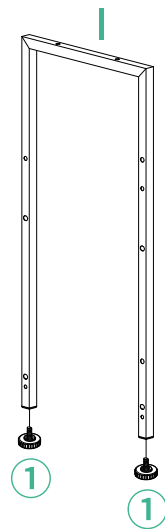
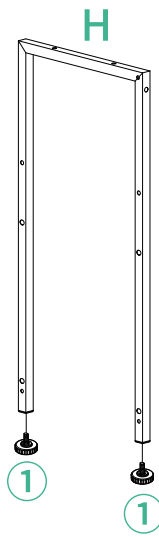
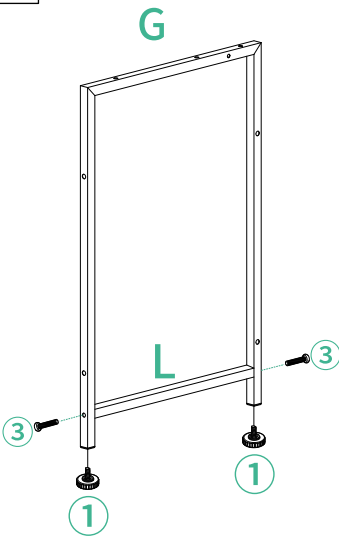
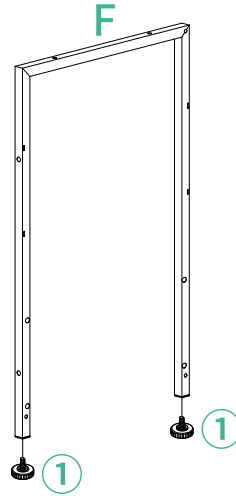
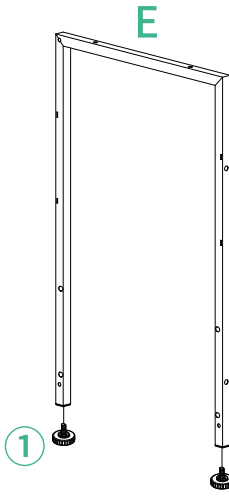
1L-13L: Shelves on the left side.



Assembly Instructions

R-1






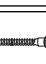

E	
x1	
F	
x1	
G	
x1	
H	
x1	
I	
x1	
1	
x10	
L	
x1	
3	
x2	
15	
x1	

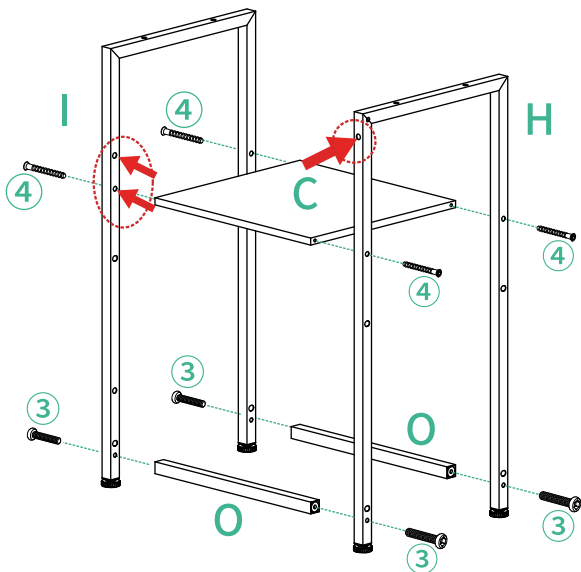


Assembly Instructions






R-2

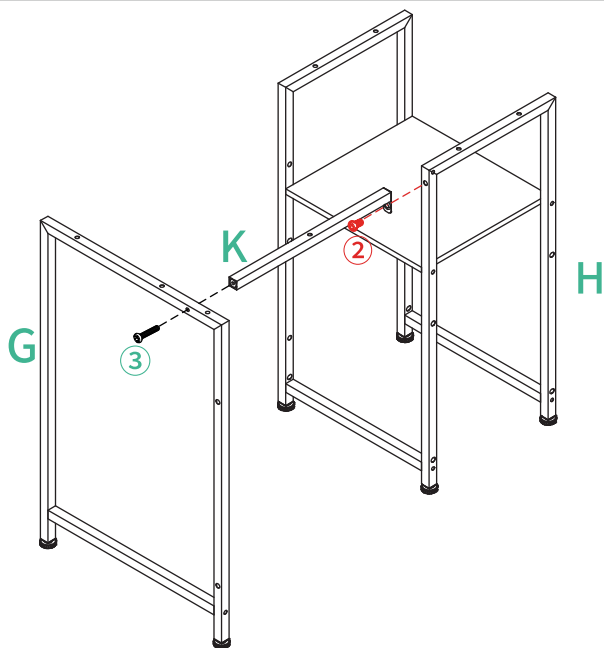
Attention to the orientation of the hole on Part H and I.

H	
x1	
I	
x1	
C	
x1	
O	
x2	
3	
x4	
4	
x4	
15	
x1	



R-3

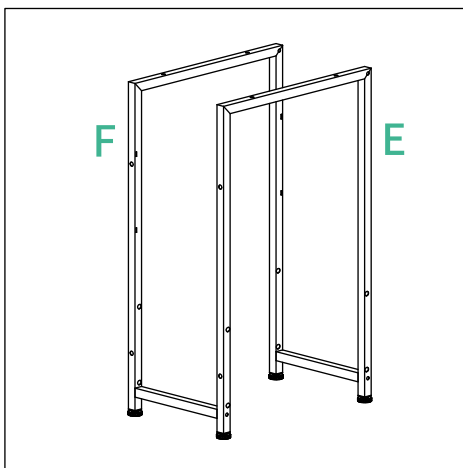
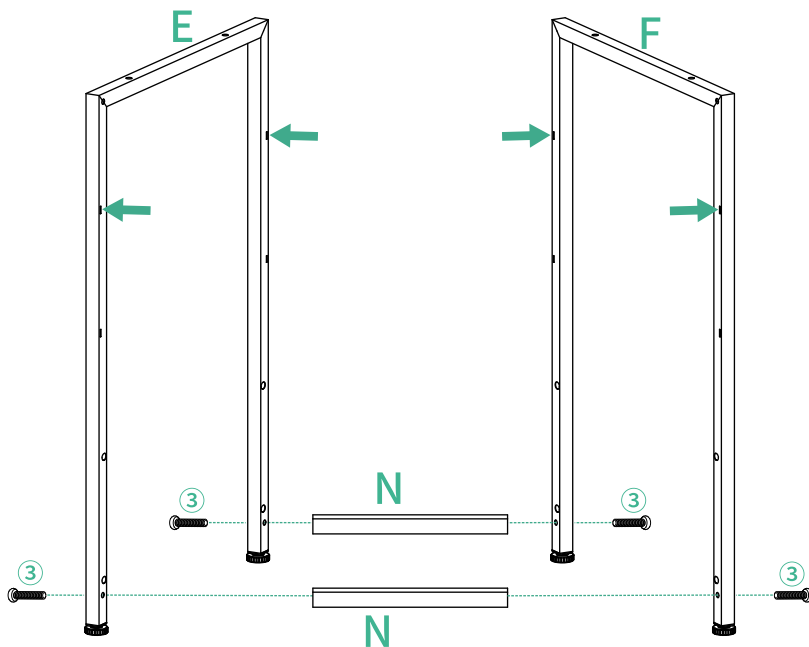
G	
x1	
K	
x1	
2	
x1	
3	
x1	
15	
x1	



Assembly Instructions

R-4

Note that the small slots on parts F and E for installing the cloth drawers rail need to be on the inside.

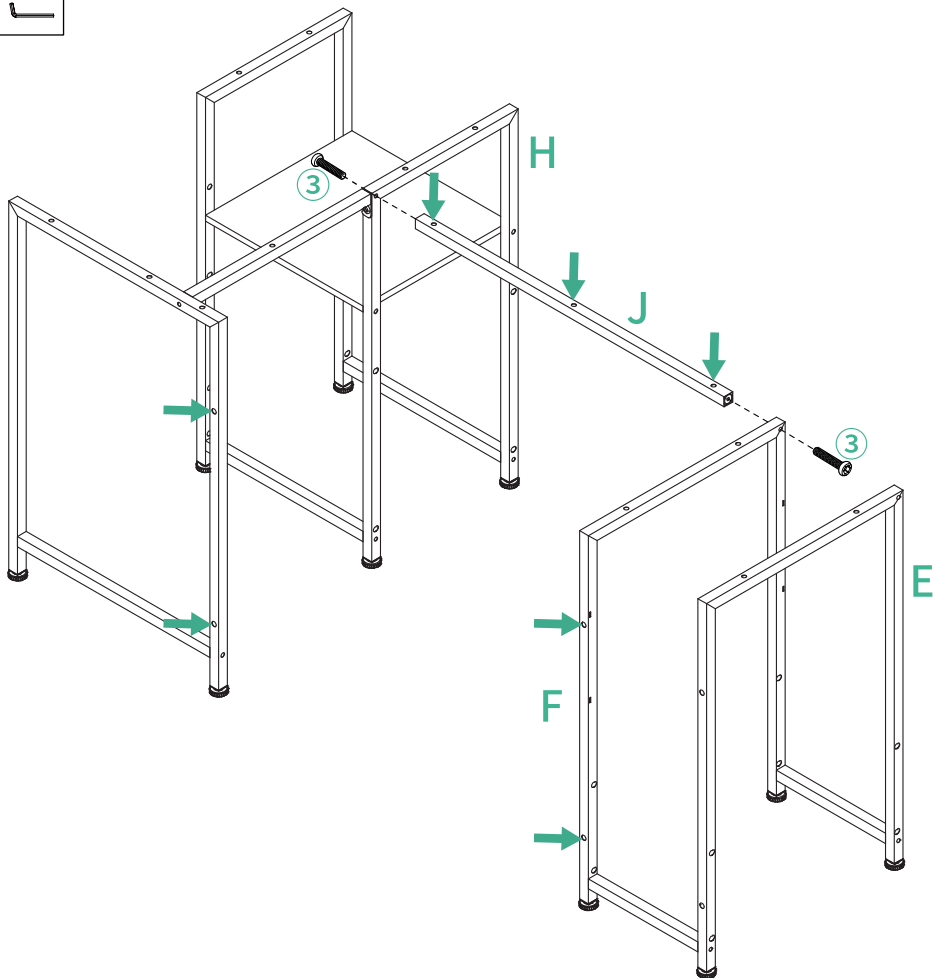
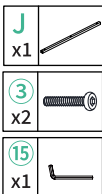


E x1		F x1		N x2	
3 x4		15 x1			

Assembly Instructions

R-5

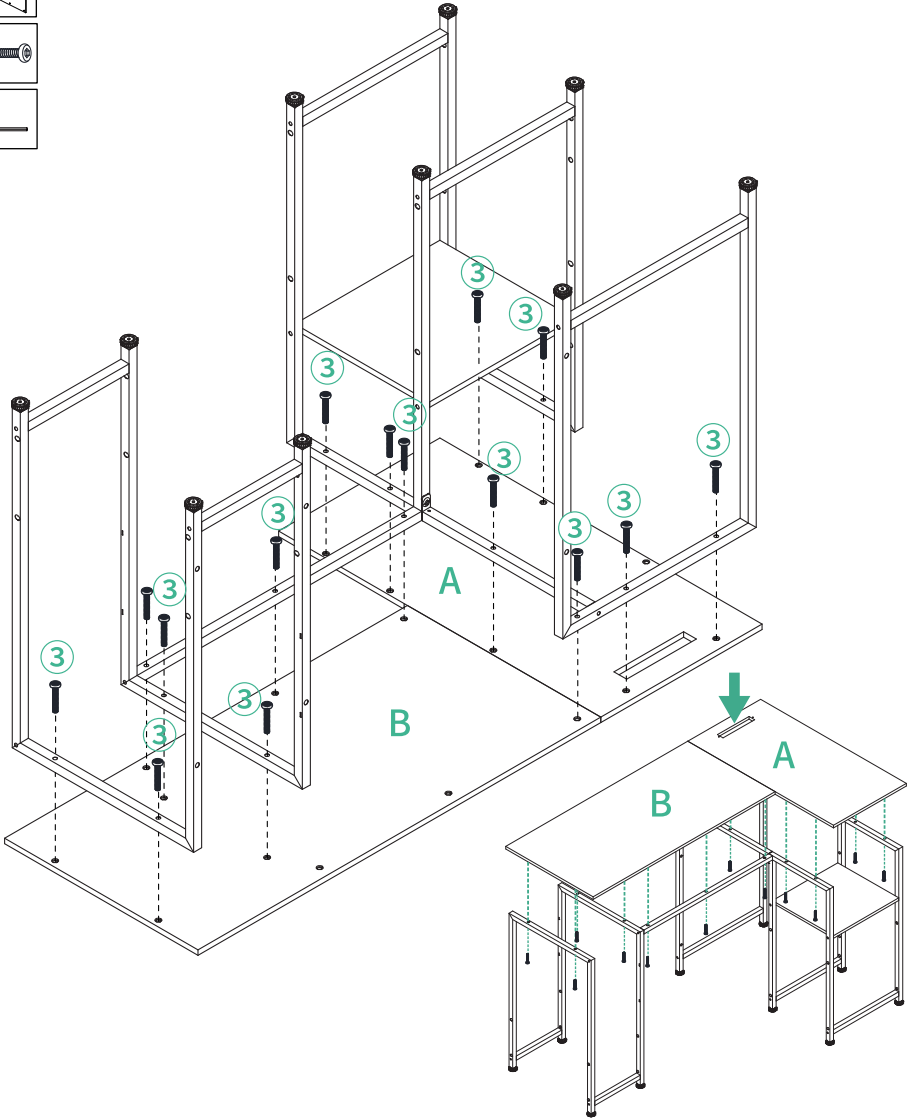
When installing, please pay attention to the direction of the holes indicated on Part J in the figure.



Assembly Instructions

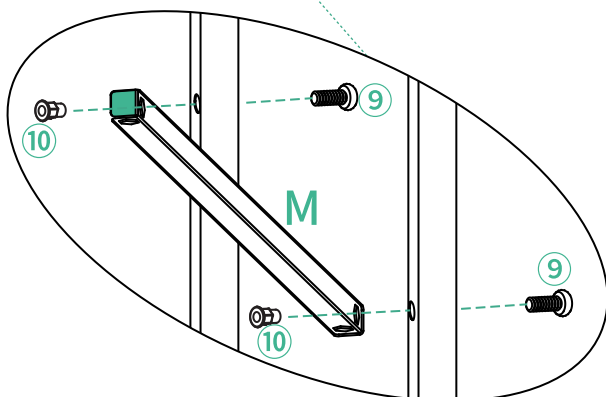
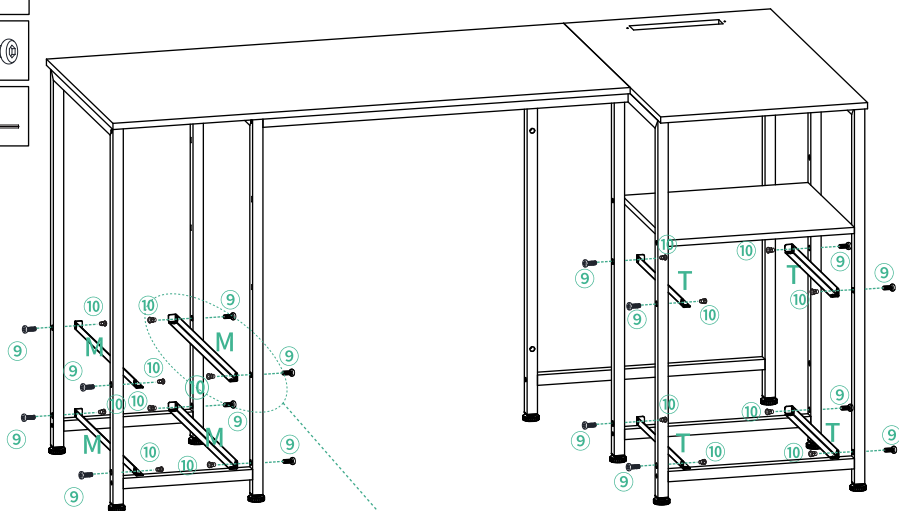
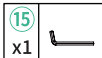
R-6

1. Please do not tighten the screws completely first. Only after all screws are installed, all screws can be tightened completely.
2. Pay attention to put the Plates A and B together when installing.
3. When installing, please pay attention to the screw tightening strength, do not damage the desk by over-tightening.



Assembly Instructions

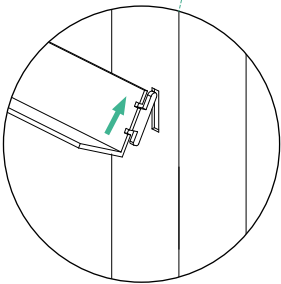
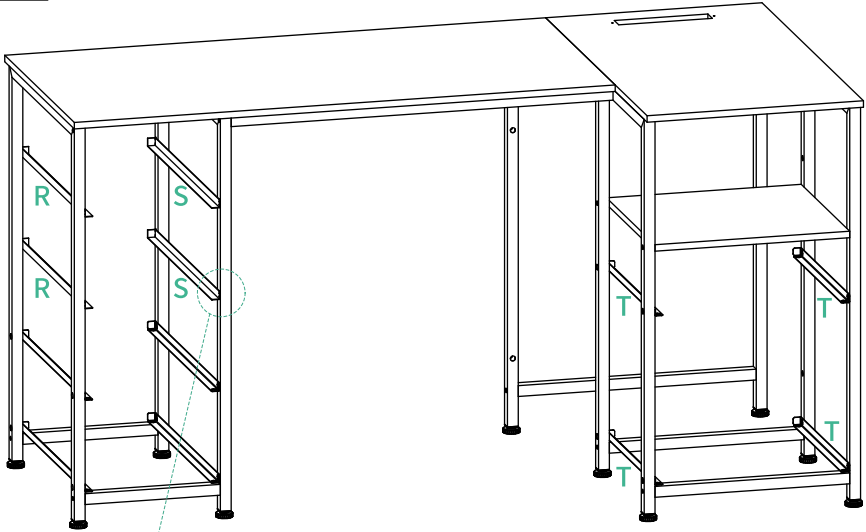
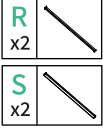
R-7



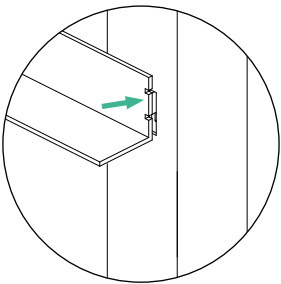
Assembly Instructions

R-8

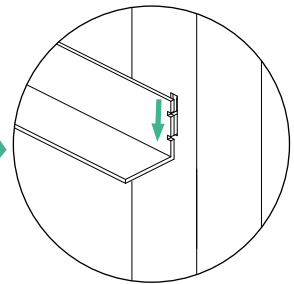
Please pay special attention to the installation steps of rail R and S.



Step 1: Place the hook of the slide rail at an Angle into the steel frame slot .

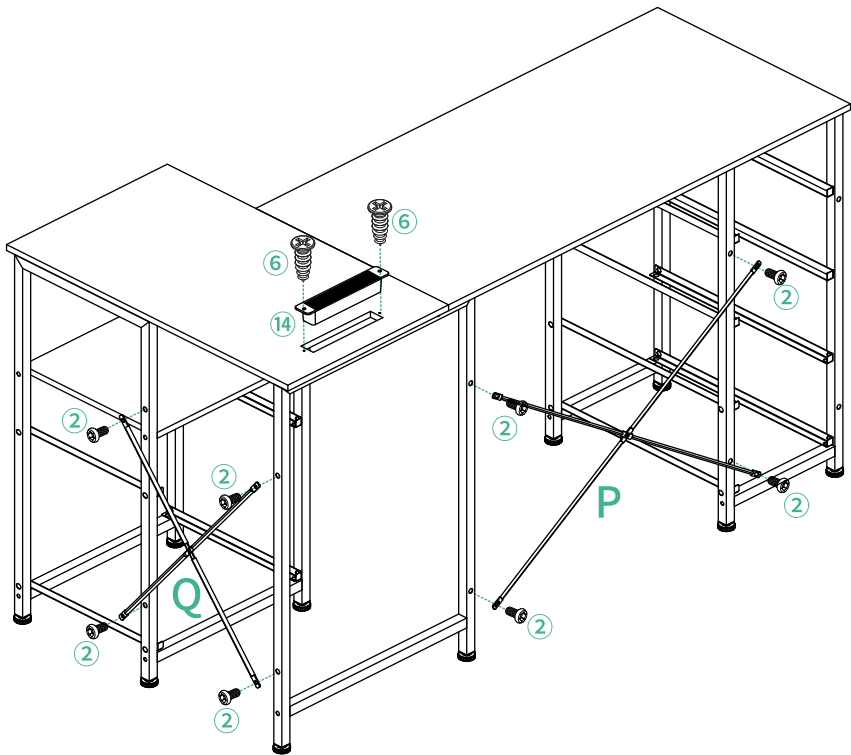


Step 2: Install the entire rail hook into the steel frame slot.



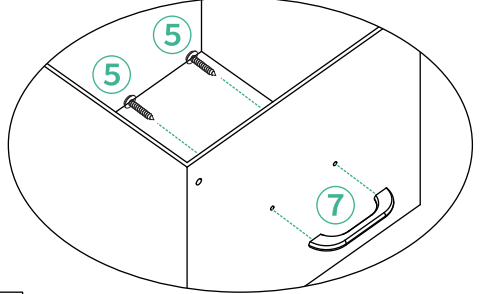
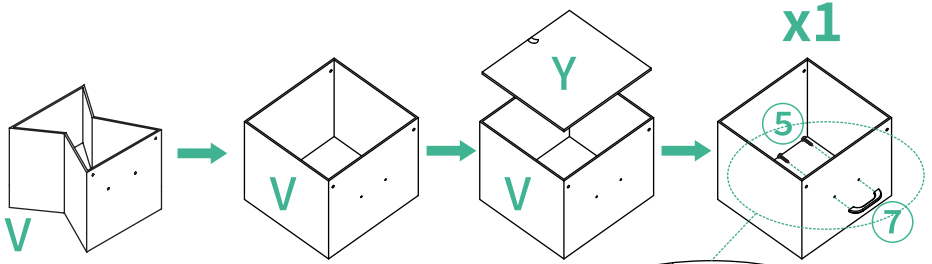
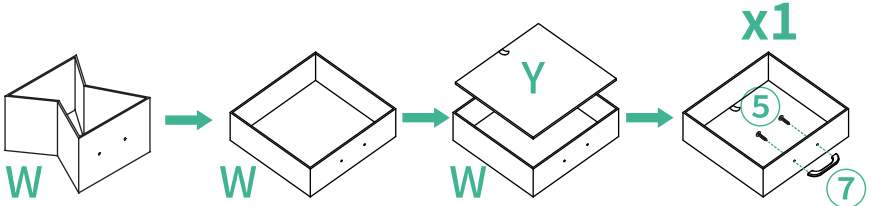
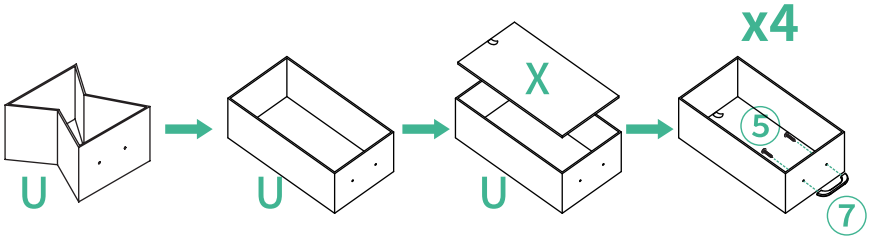
Step 3: Press the slide rail down so that the hook fasteners the steel frame.

R-9



Assembly Instructions

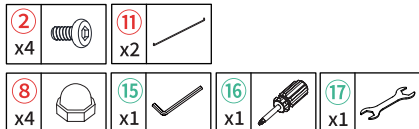
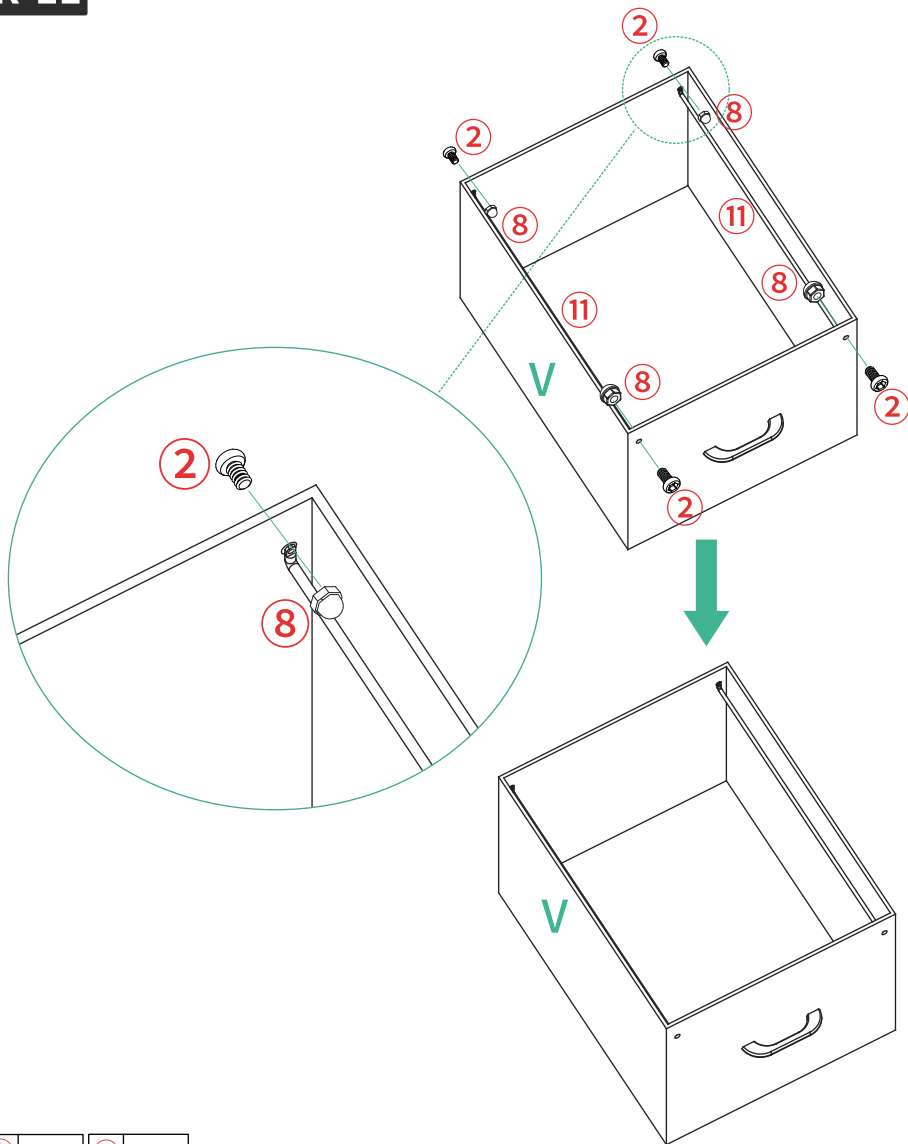
R-10



U x4	V x1	W x1	X x4
5 x12	7 x6	15 x1	16 x1
		Y x2	

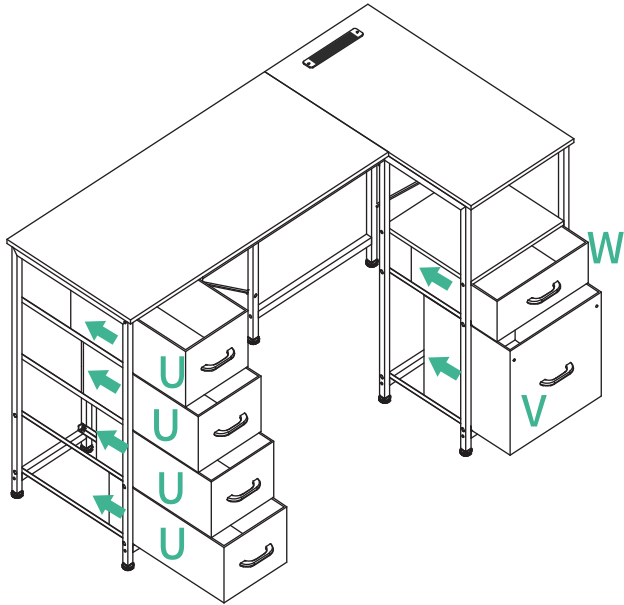
Assembly Instructions

R-11

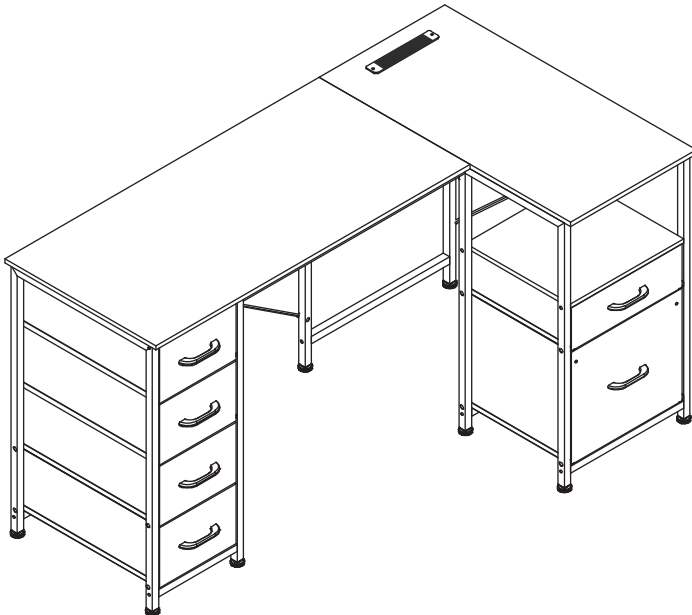


Assembly Instructions

R-12






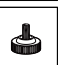
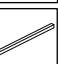
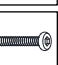
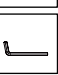


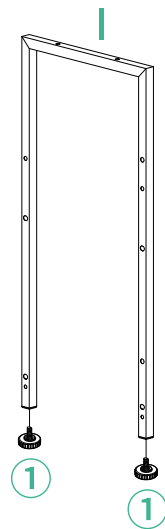
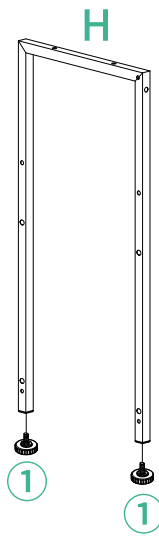
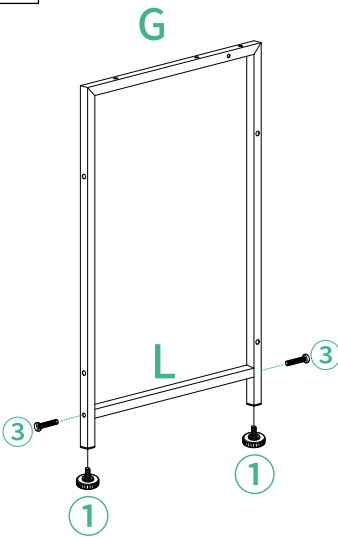
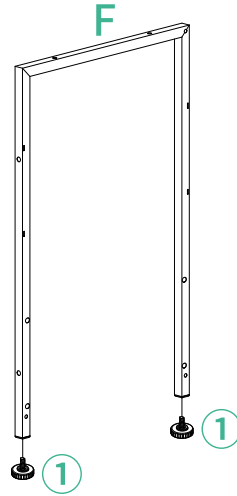
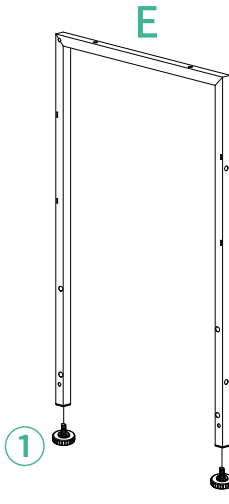
R-13



Assembly Instructions

L-1

E	
x1	
F	
x1	
G	
x1	
H	
x1	
I	
x1	
1	
x10	
L	
x1	
3	
x2	
15	
x1	

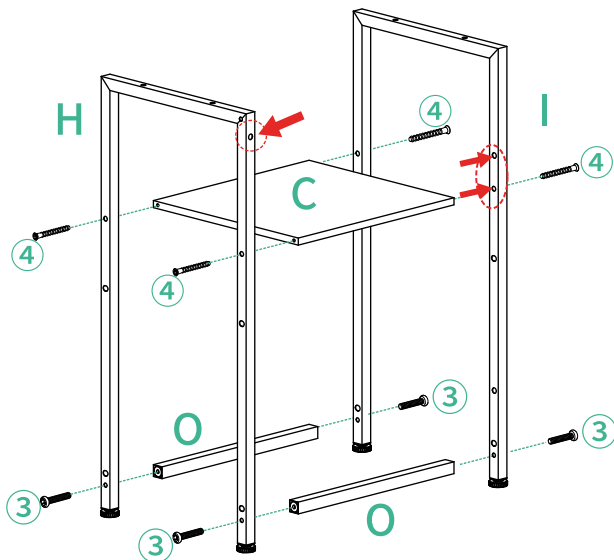


Assembly Instructions

L-2

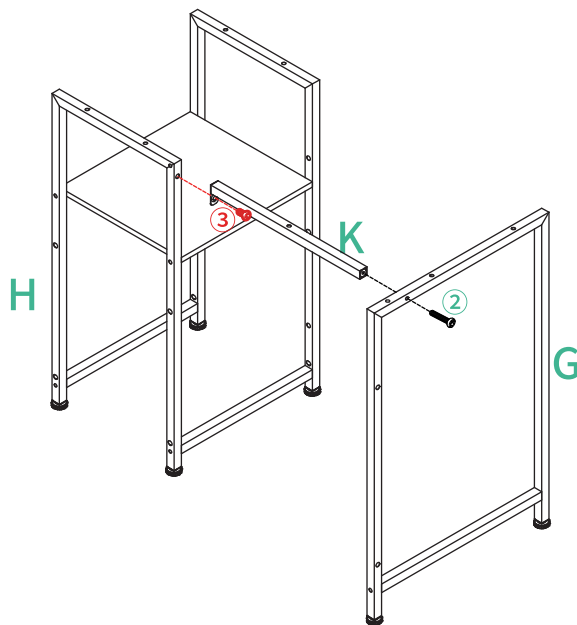
Attention to the orientation of the hole on Part H and I .

H	
x1	
I	
x1	
C	
x1	
O	
x2	
3	
x4	
4	
x4	
15	
x1	



L-3

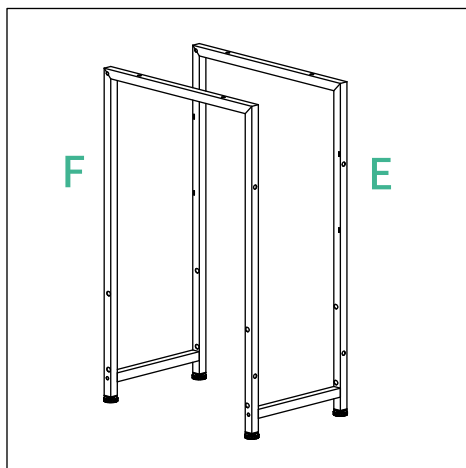
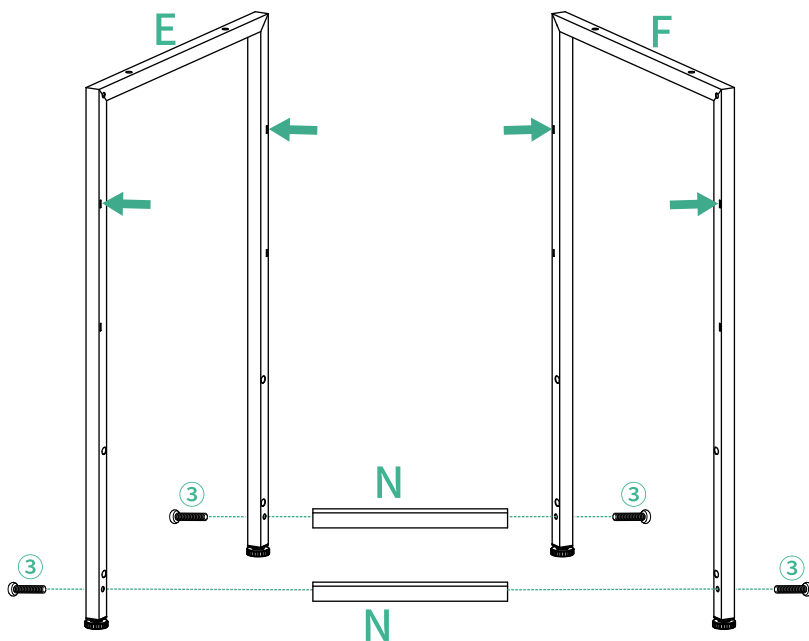
G	
x1	
K	
x1	
2	
x1	
3	
x1	
15	
x1	



Assembly Instructions

L-4

Note that the small slots on parts F and E for installing the cloth drawers rail need to be on the inside.



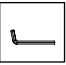


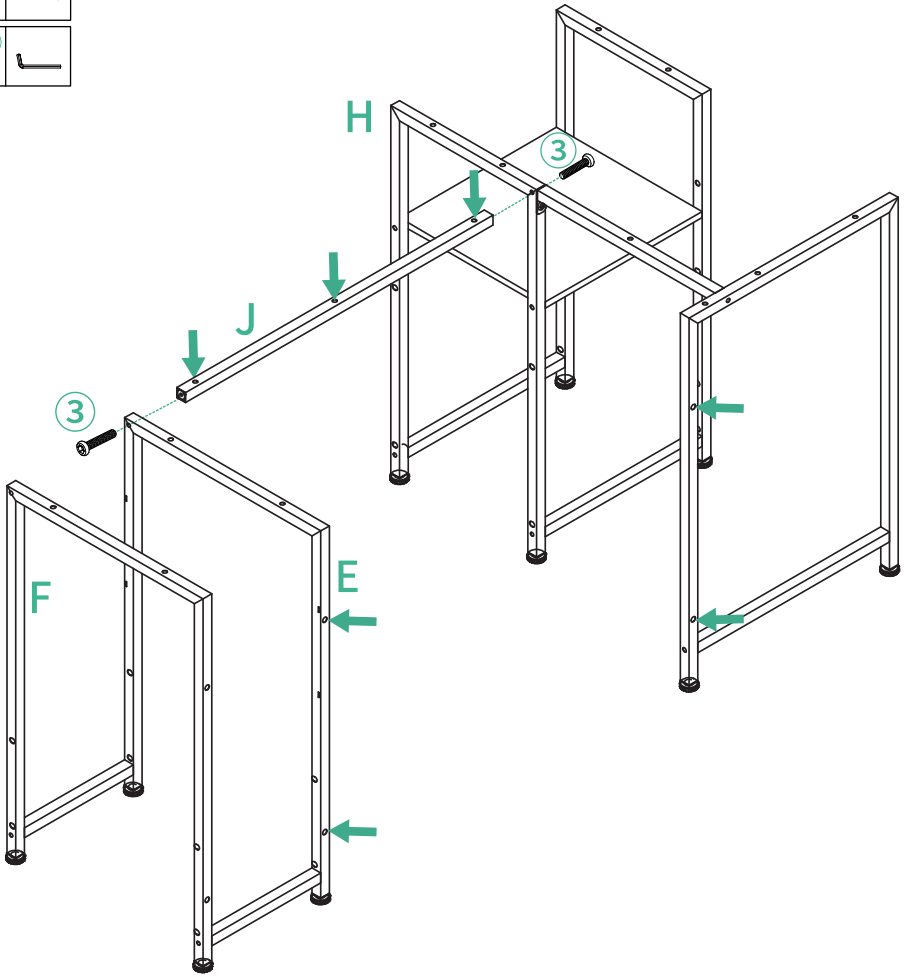
E x1		F x1		N x2	
3 x4		15 x1			

Assembly Instructions

L-5

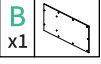
When installing, please pay attention to the direction of the holes indicated on Part J in the figure.

J	
x1	
3	
x2	
15	
x1	

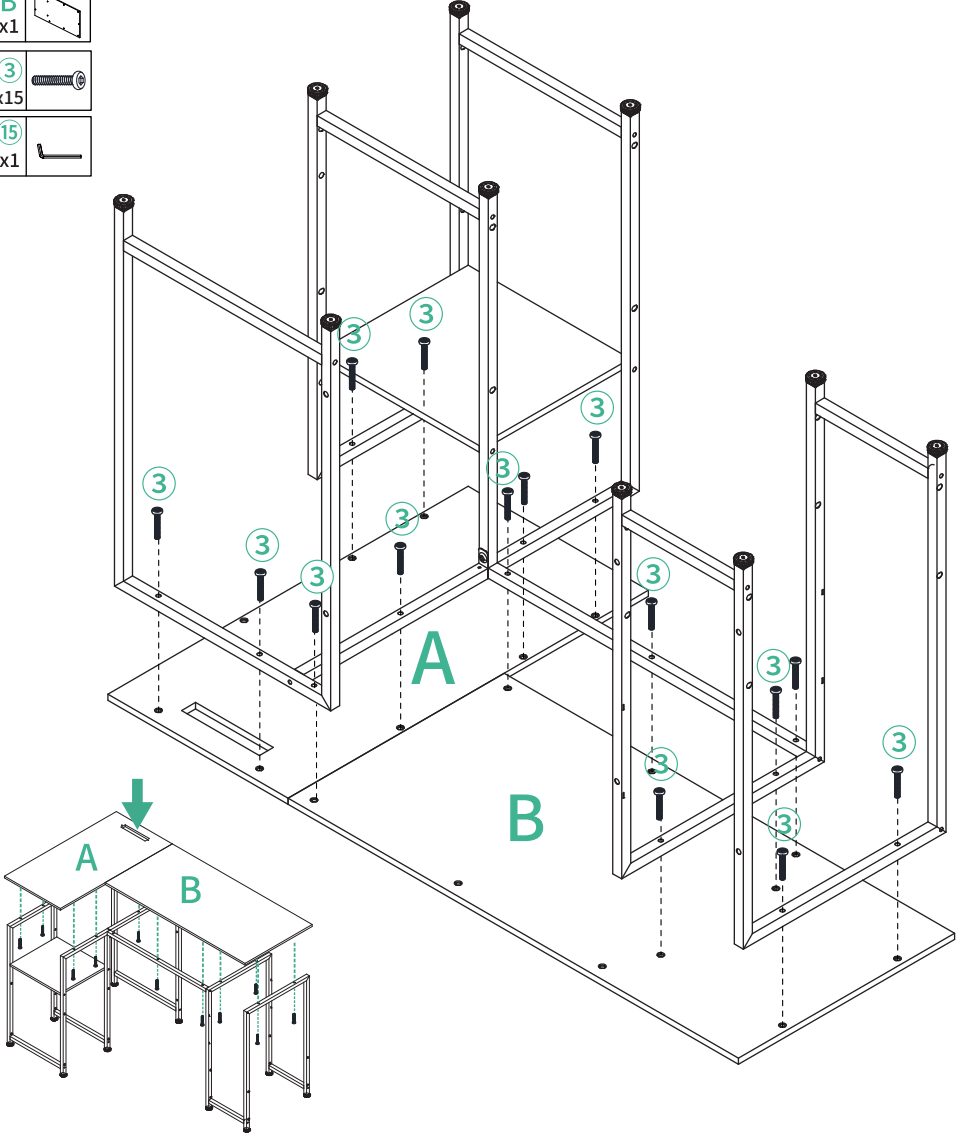


Assembly Instructions

L-6

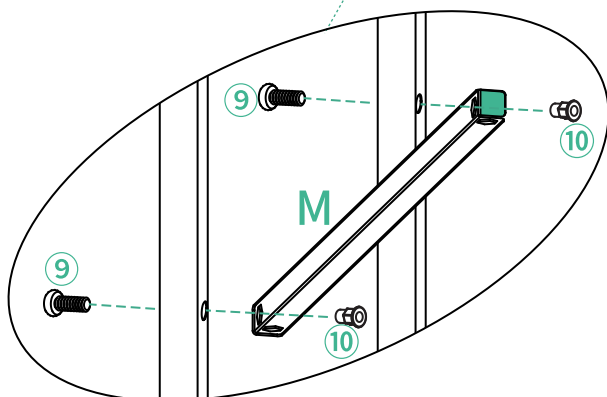
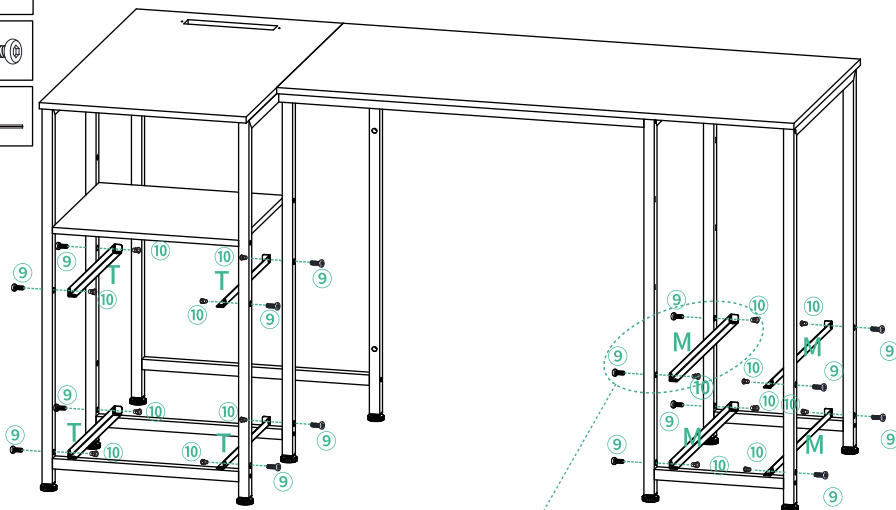
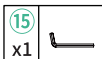


1. Please do not tighten the screws completely first. Only after all screws are installed, all screws can be tightened completely.
2. Pay attention to put the Plates A and B together when installing.
3. When installing, please pay attention to the screw tightening strength, do not damage the desk by over-tightening.



Assembly Instructions

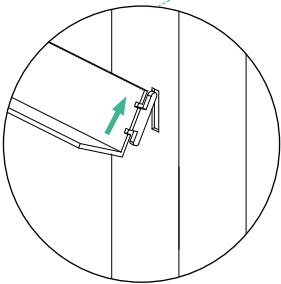
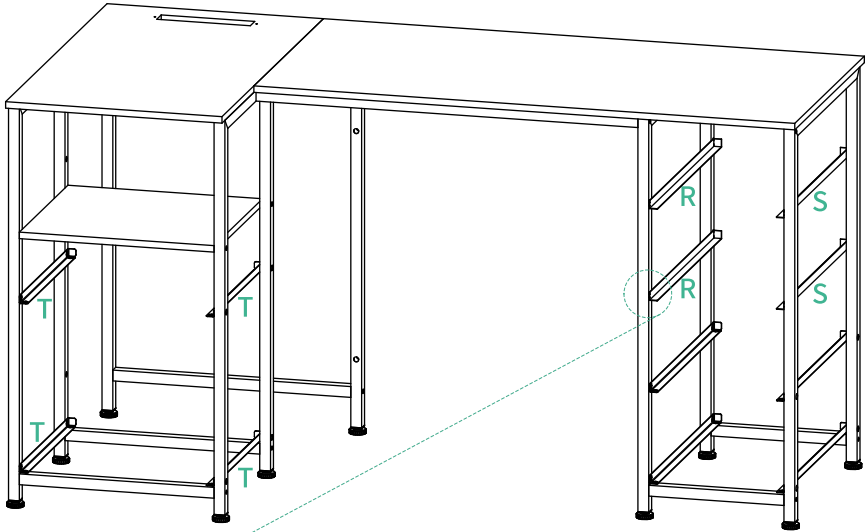
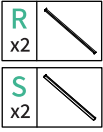
L-7



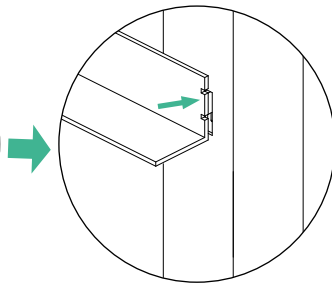
Assembly Instructions

L-8

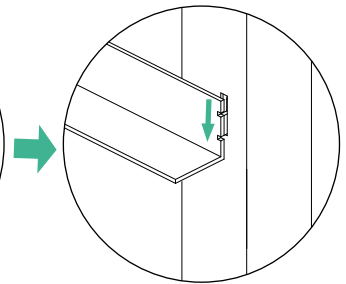
Please pay special attention to the installation steps of rail R and S.



Step 1: Place the hook of the slide rail at an Angle into the steel frame slot .

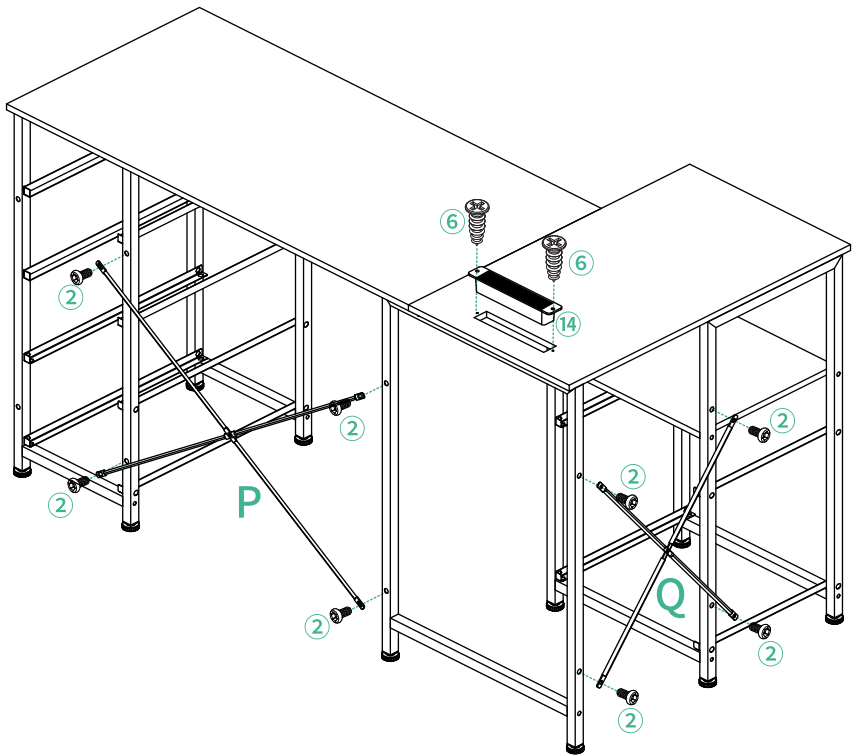


Step 2: Install the entire rail hook into the steel frame slot.



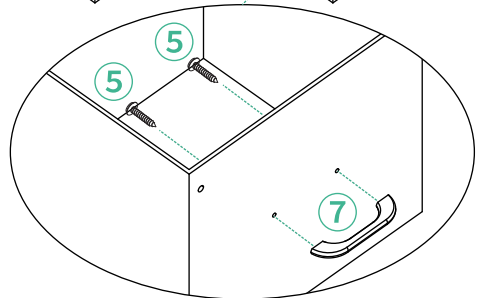
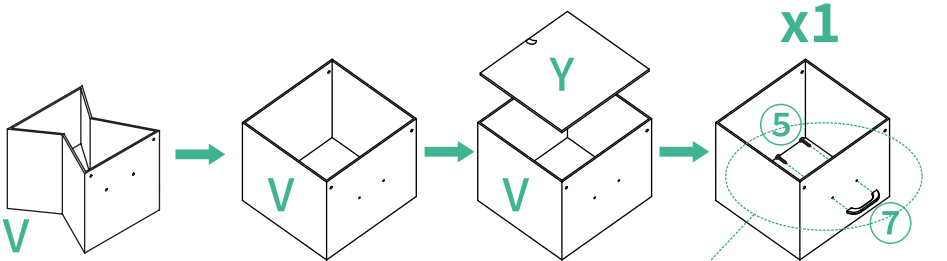
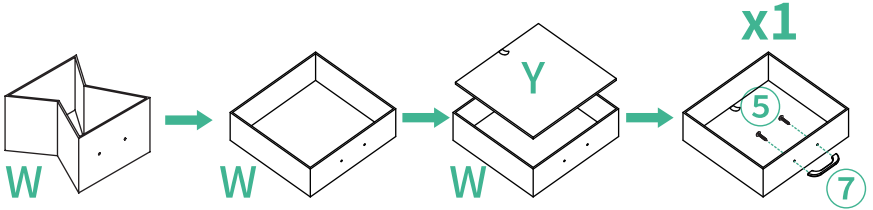
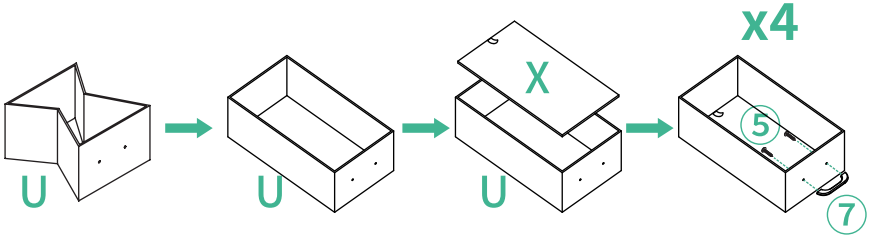
Step 3: Press the slide rail down so that the hook fasteners the steel frame.

L-9



Assembly Instructions

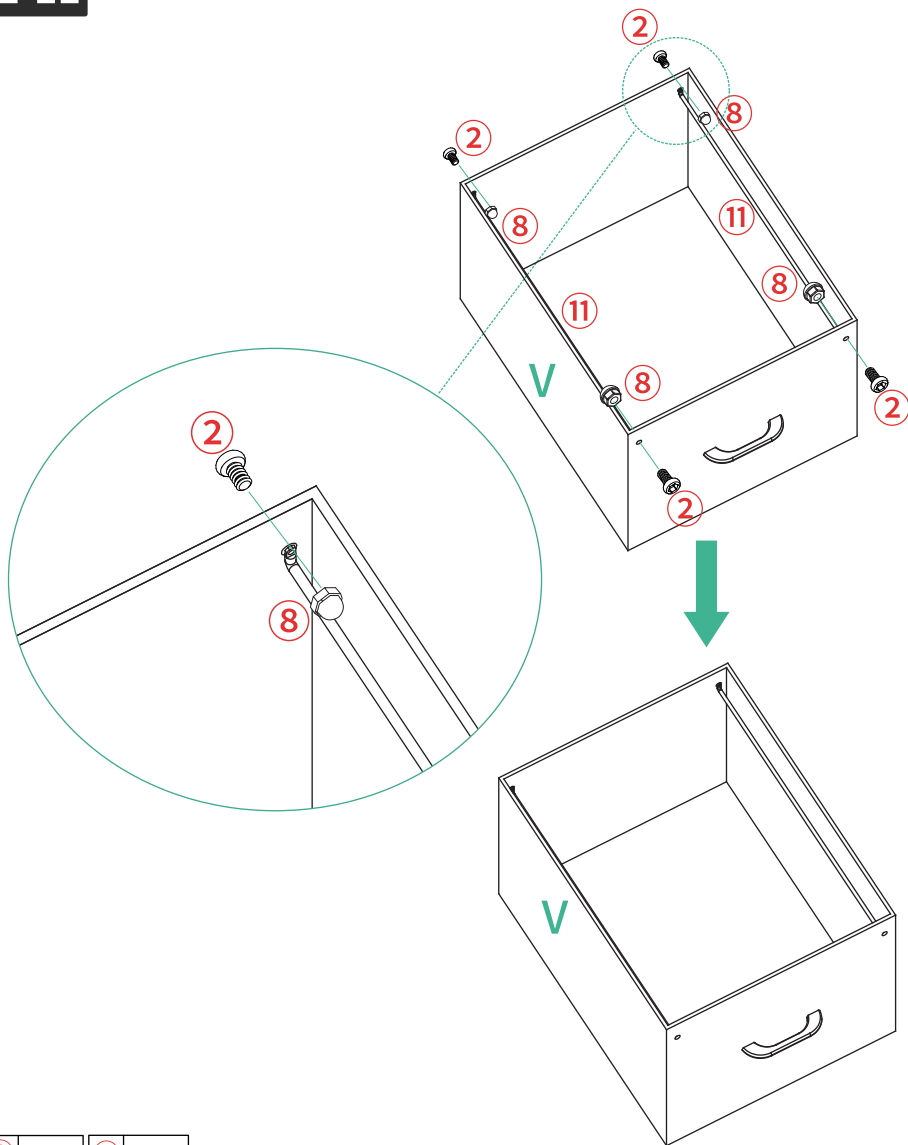
L-10



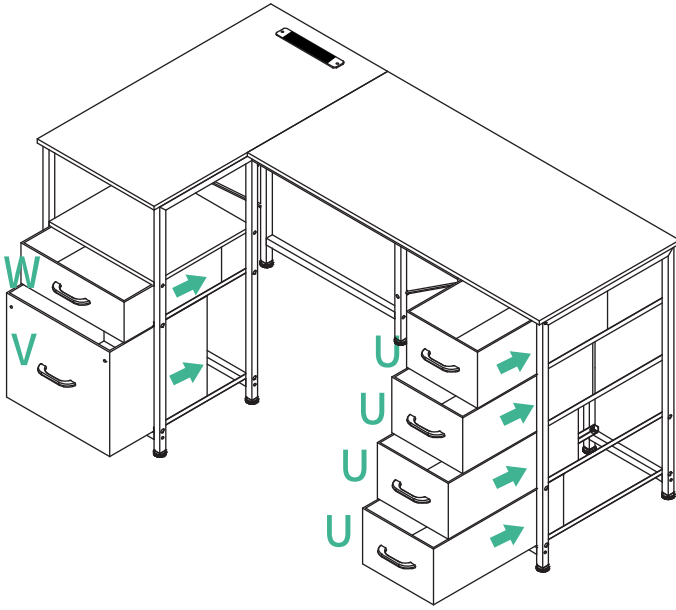
U x4	V x1	W x1	X x4
5 x12	7 x6	15 x1	16 x1
		Y x2	

Assembly Instructions

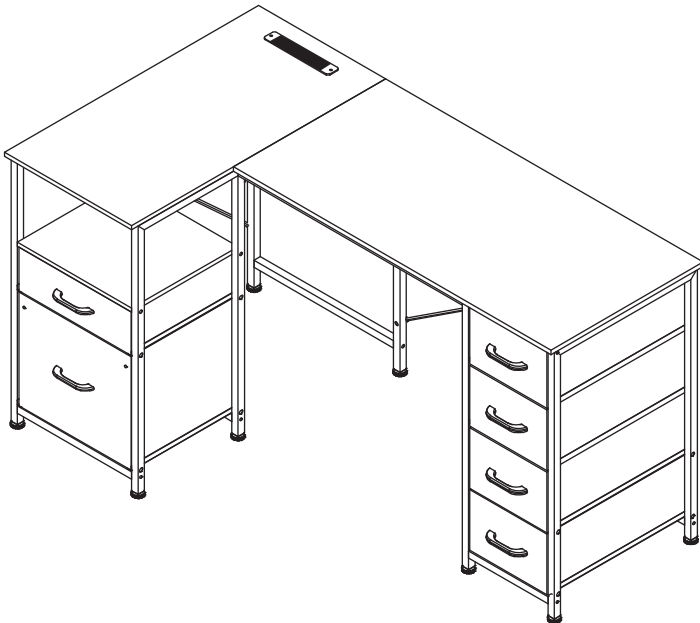
L-11



R-12



L-13





30 DAY Return Policy

If you're not completely satisfied with your purchase, please return the merchandise via our Official Customer Support. Unused merchandise can be refunded or exchanged within 30 days of purchase.



1-Year Warranty

We guarantee your product is free from defects in product material and workmanship for one (1) year starting from the date of purchase during normal use of household conditions. If your appliance fails to operate properly within our warranty period, we will arrange a new one. Replacement is free and all shipping costs are covered.



Quick Response within 24 Hours

If you are still unable to resolve the issue you are experiencing, please contact us immediately via our support email. It doesn't matter if the product has been installed or not, our customer support team will respond within 24 hours and assist you quickly and efficiently. The most efficient way to confirm your problem to us is to attach a video, which illustrates your product issues.

Problems You May Encounter

PART	PROBLEM	SOLUTION
Whole Product	Parts are missing, defective or having wrong parts in package.	You can contact us and we will get back to you within 24 hours. Or, you can reach us via after-sales email.
	Having issue(s) while reading the instruction or completing the assembly.	You can contact us and we will get back to you within 24 hours. Or, you can reach us via after-sales email.
	Encountering non-human caused damage during usage.	If the product is damaged due to non-human causes, please keep the product and send us photos of it. We will ascertain the cause of the product damage within 48 hours and provide you with a satisfactory solution.
Table Surface	Board Surface is broken, scratched or lack of somescrew holes.	You can contact us and we will get back to you within 24 hours. Or, you can reach us via after-sales email.
	The screw holes that on the board and the steel frame don't line up.	<ol style="list-style-type: none"> 1. Please tighten the screws on the board by 70%, do not tighten completely. 2. Adjusting board and steel frame until the screw holes are lined up, then tighten all the screws.
	The desk board is uneven or not tight that has gaps after being assembled.	<ol style="list-style-type: none"> 1. Loosen the screws in the uneven or gap positions; adjust until the desktops are flat and tight, and then tighten the screws. 2. If your problem still can't be solved, please feel free to contact us.
Steel Frame	The steel frame is bent, broken, painted, rusted or damaged.	You can contact us and we will get back to you within 24 hours. Or, you can reach us via after-sales email.
	The table is unstable after being assembled.	<ol style="list-style-type: none"> 1. Check if the screws are tightened. 2. Read throughout the manual, check are there any parts installed incorrectly or missing assembled. 3. If your problem still can't be solved, please feel free to contact us.
	Encountering non-human caused damage during usage.	If the product is damaged due to non-human causes, please keep the product and send us photos of it. We will ascertain the cause of the product damage within 48 hours and provide you with a satisfactory solution.

We are committed to providing our customers with premium quality products and convenient customer service.

MADE IN CHINA