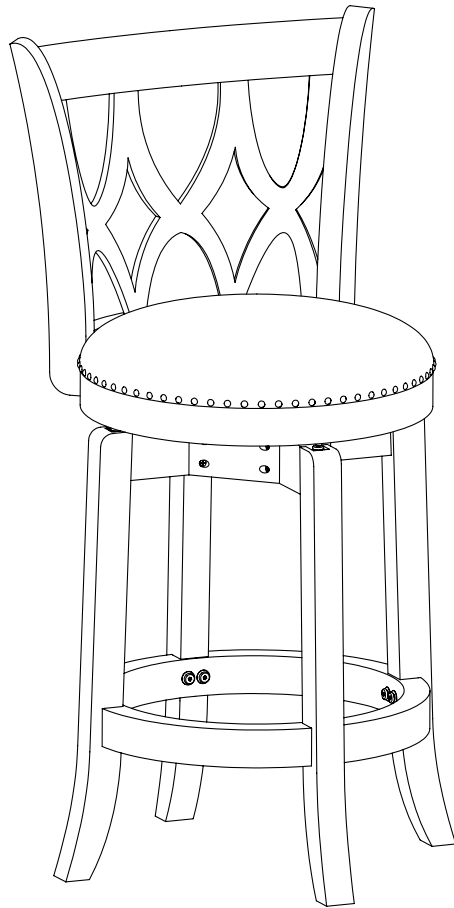
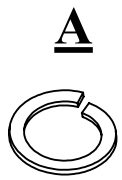


# ASSEMBLY INSTRUCTIONS

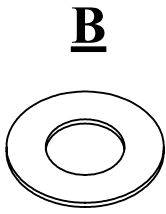
---

## SWIVEL STOOL

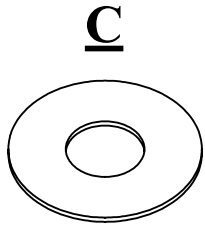




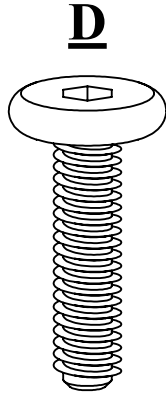
M6x10:14 PCS



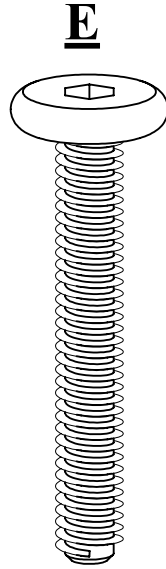
M6x13:4 PCS



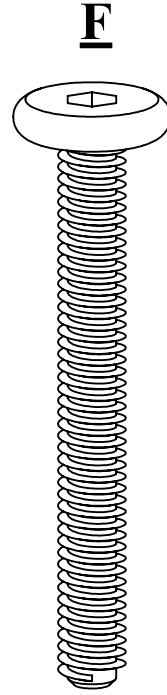
M6x16:18 PCS



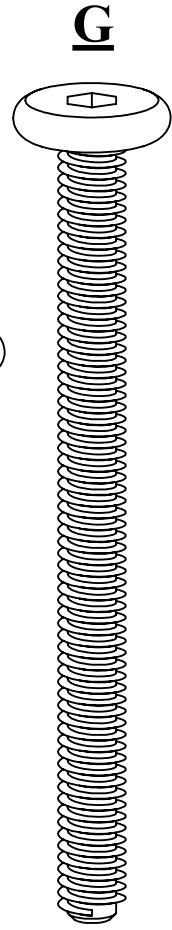
M6x25:4 PCS



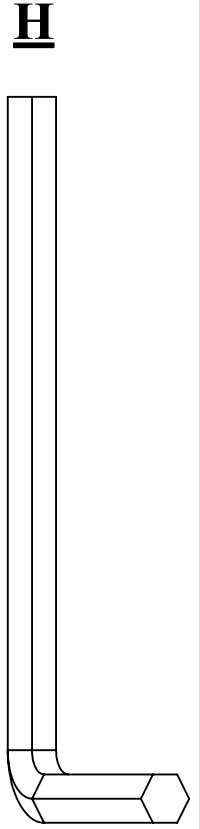
M6x40:8 PCS



M6x50:6 PCS

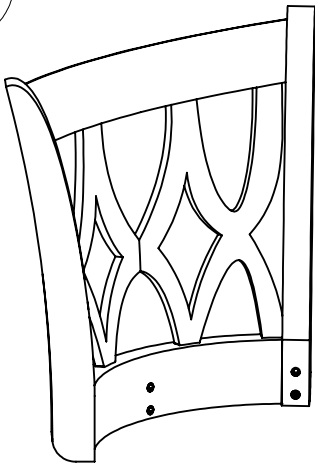


M6x70:4 PCS

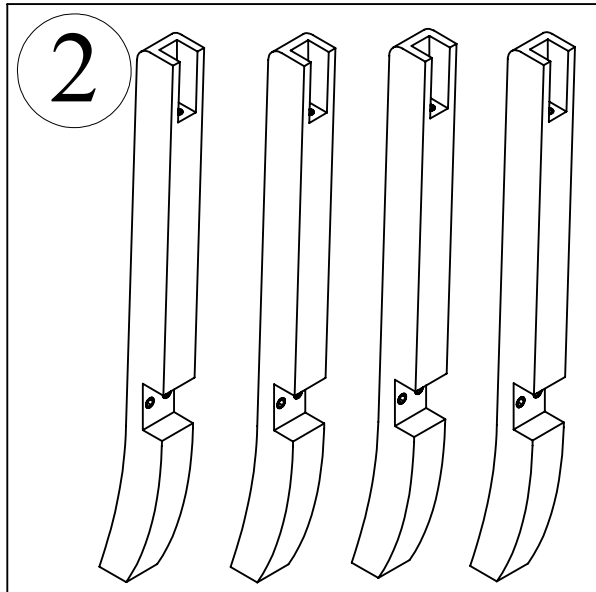


Allen Wrench: 1PC

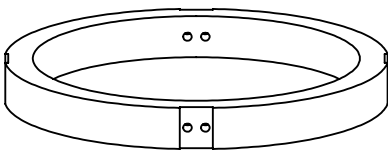
1



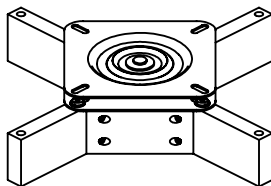
2



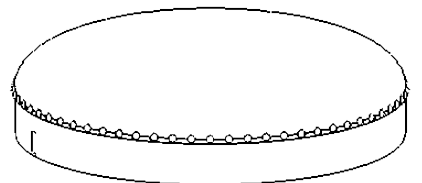
3



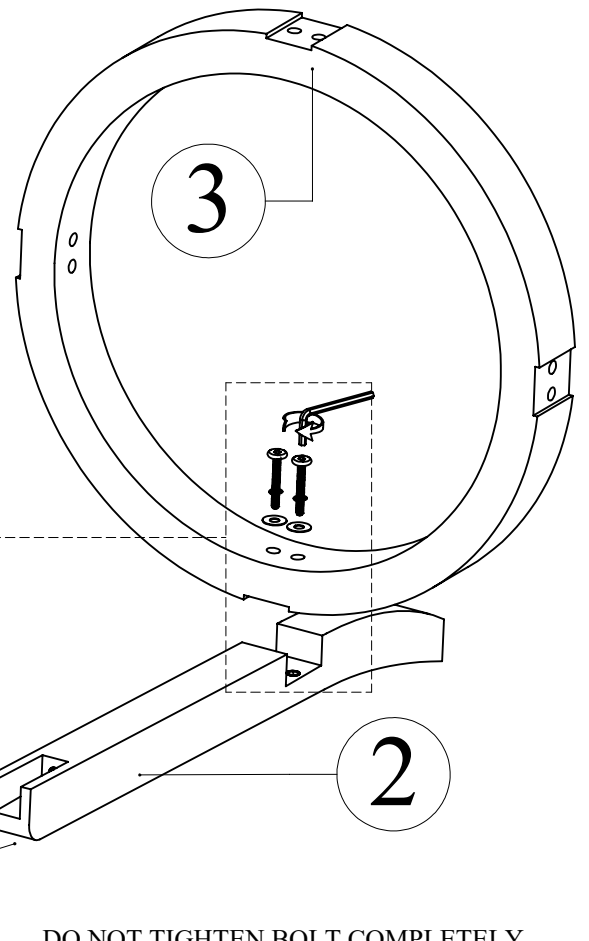
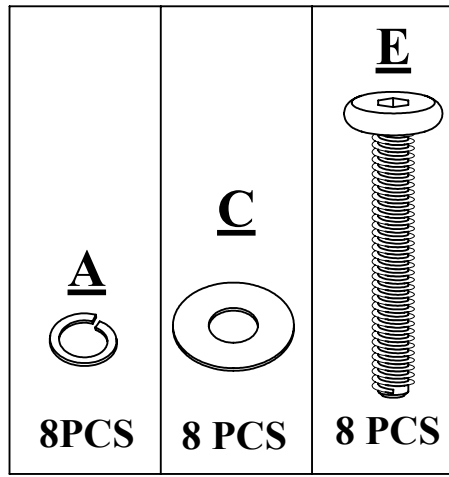
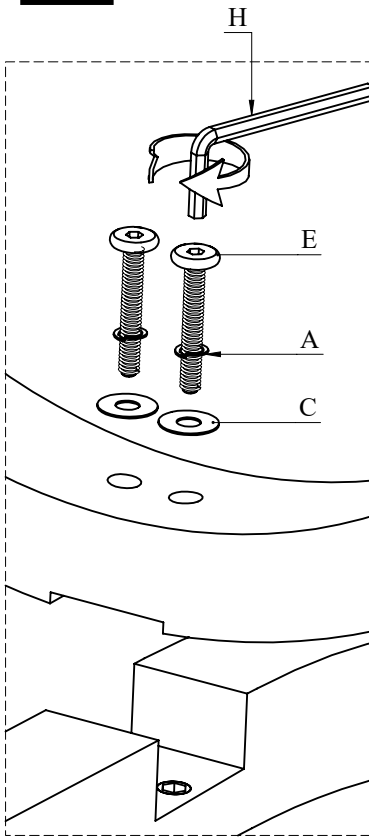
4



5

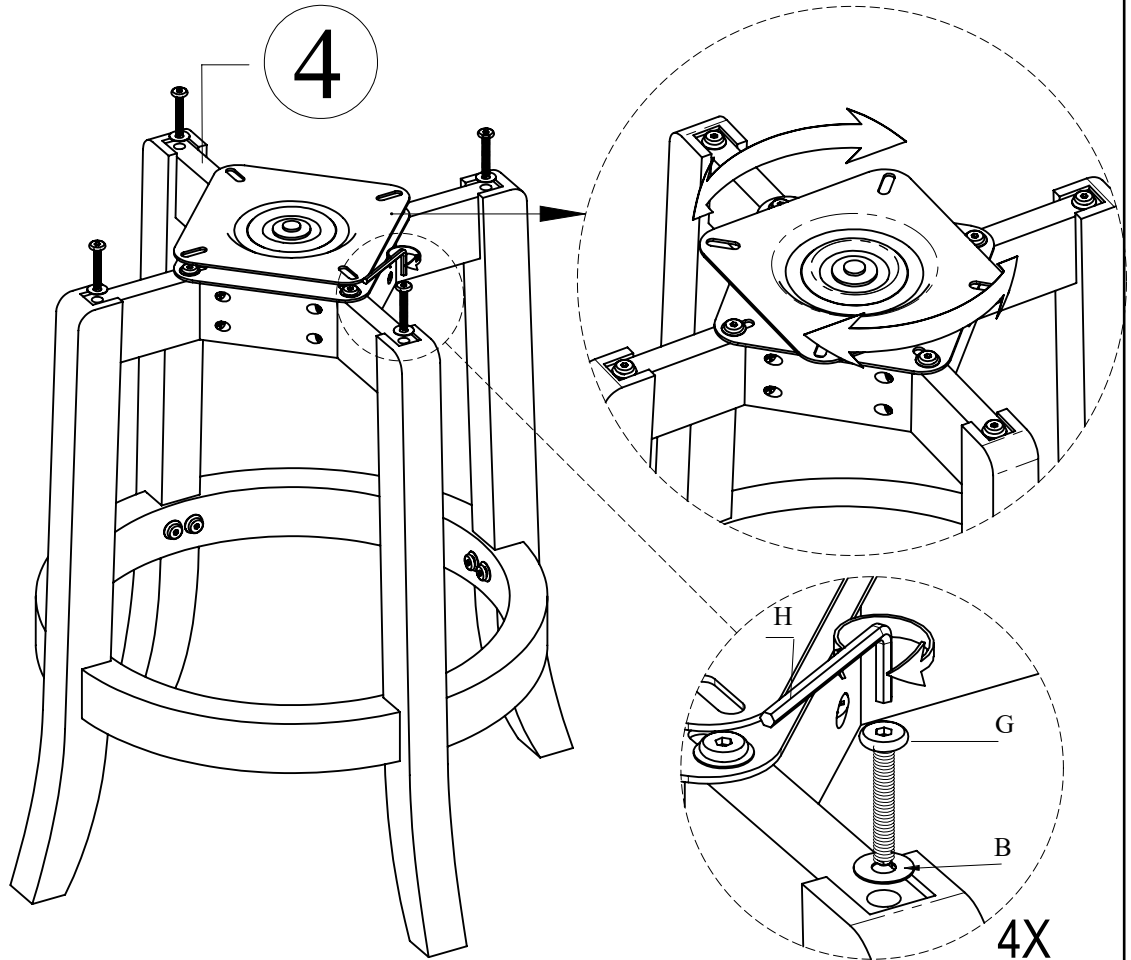
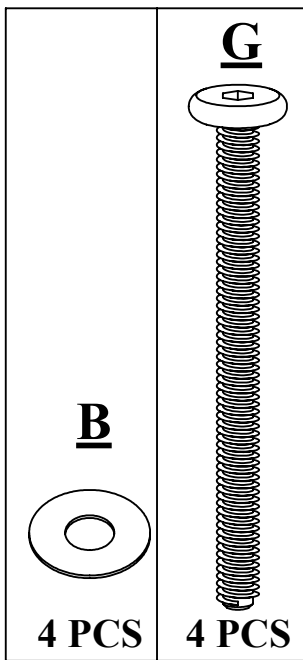


# 01



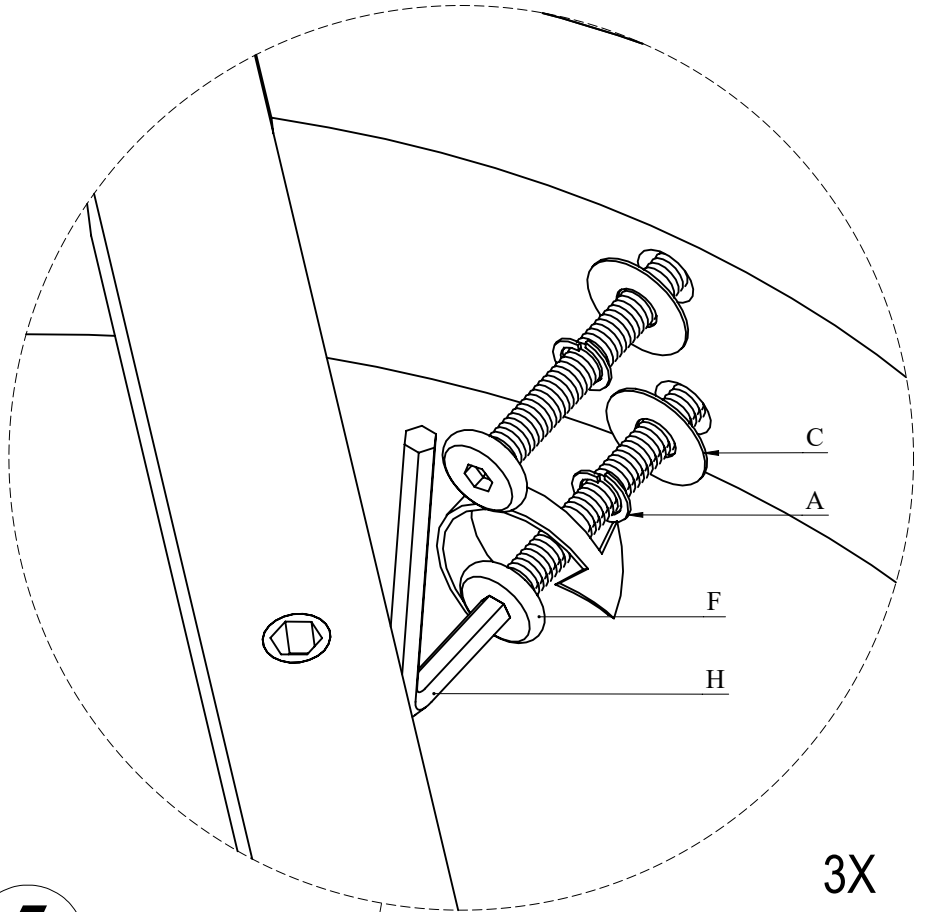
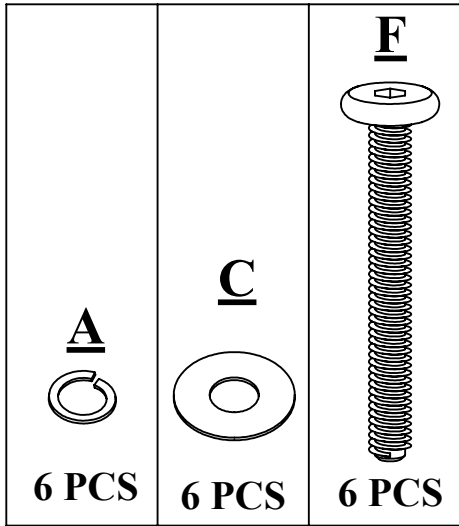
DO NOT TIGHTEN BOLT COMPLETELY.

# 02

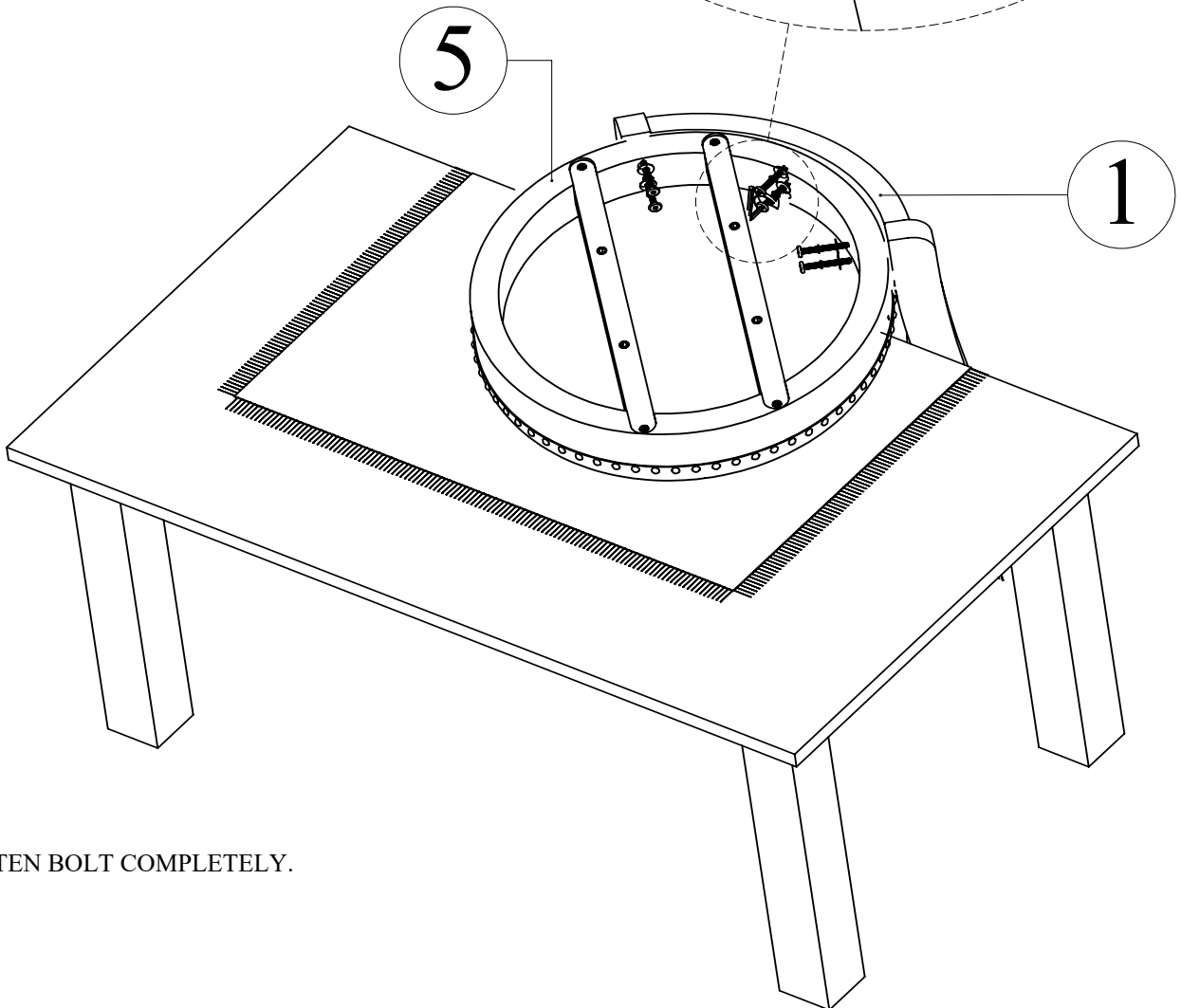


TIGHTEN BOLT COMPLETELY.

# 03

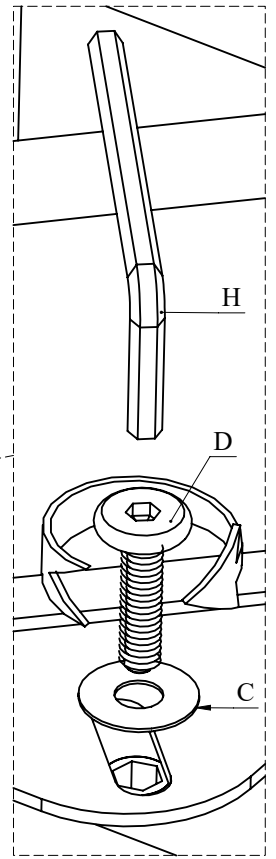
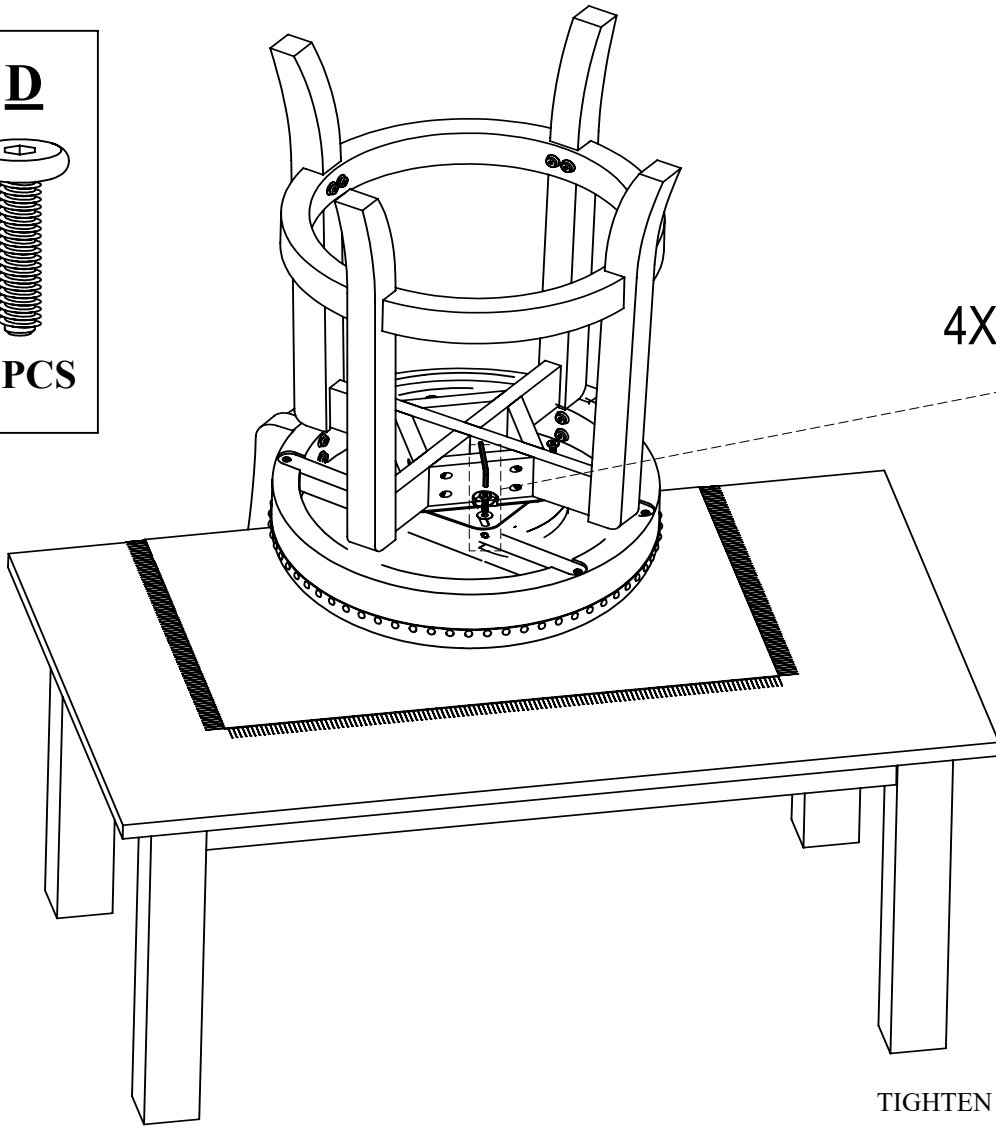
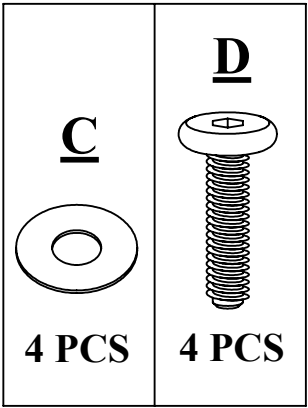


3X

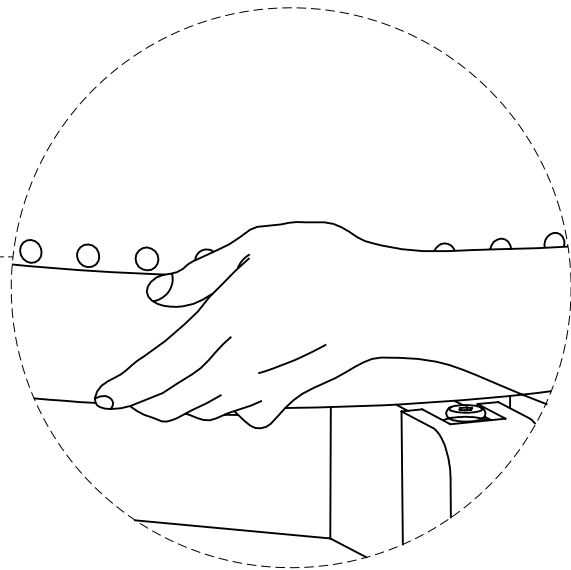
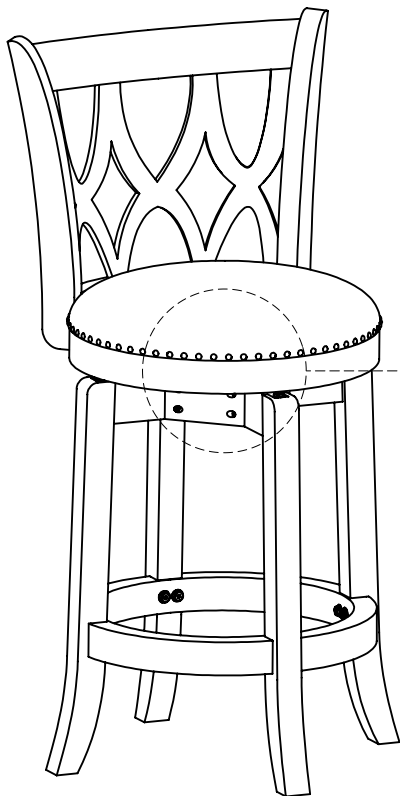


TIGHTEN BOLT COMPLETELY.

# 04



TIGHTEN BOLT COMPLETELY.



BE SURE TO CHECK ALL BOLTS ARE SECURELY TIGHTENED PRIOR USING THIS STOOL.