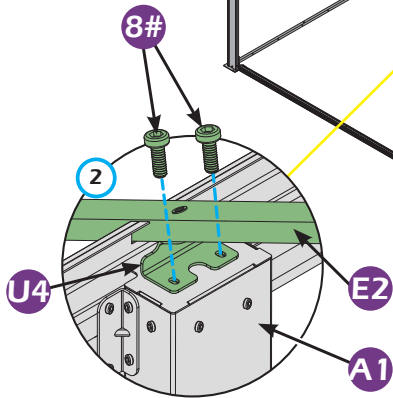
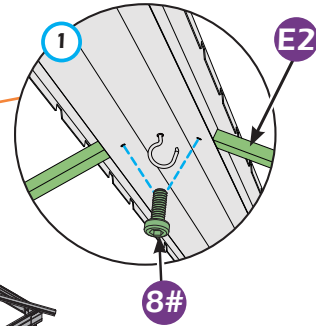
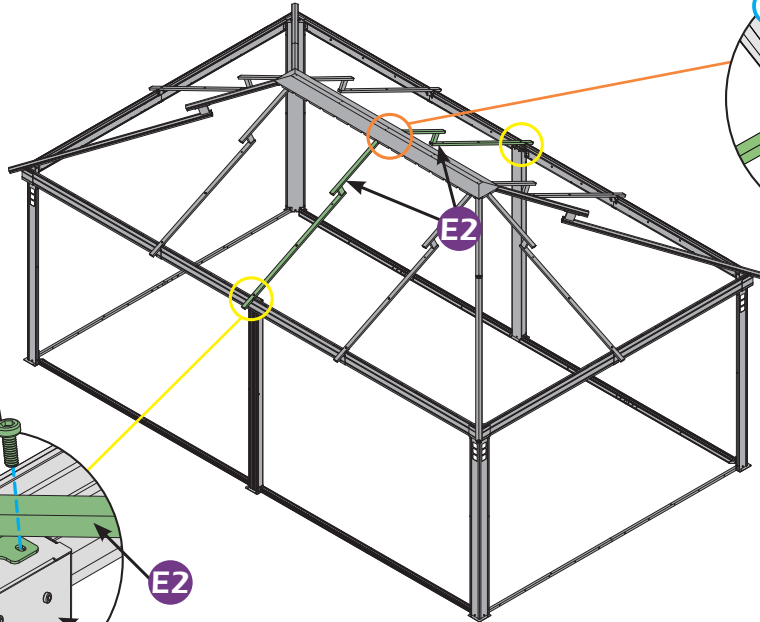




E2×2

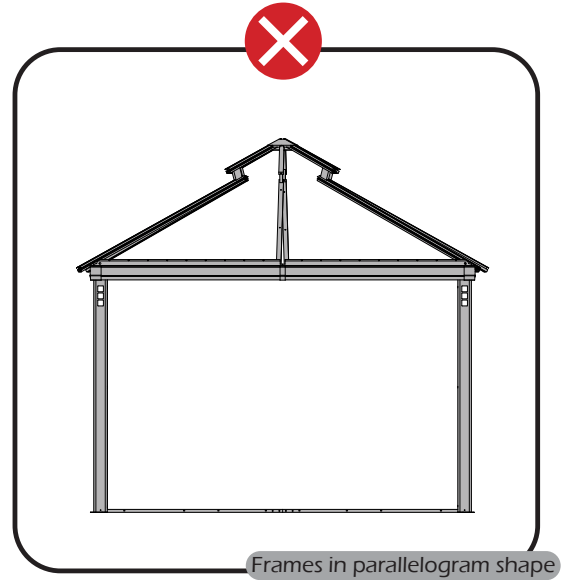
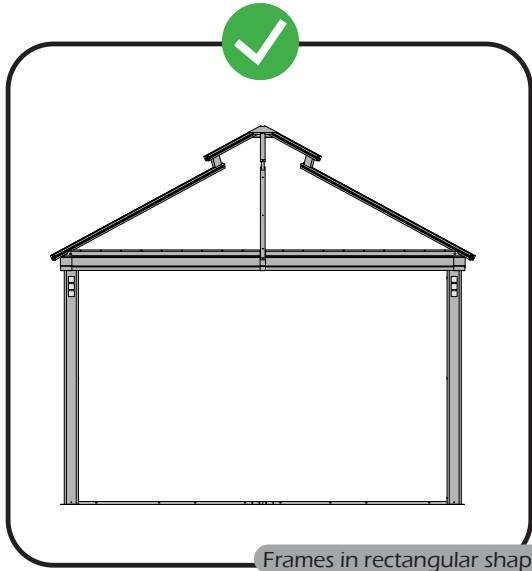


8#×6



STEP 2

Check if the frame shows as pictures below.



STEP 2



J × 2



J3 × 4



J1 × 2



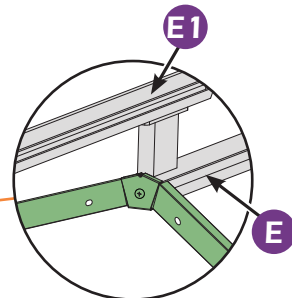
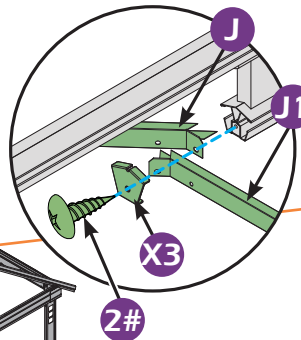
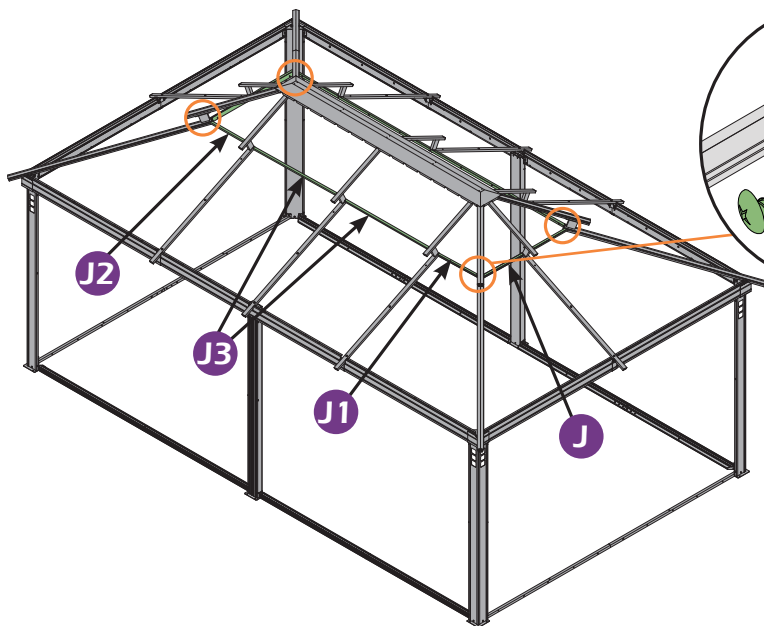
J2 × 2



X3 × 4



2# × 4



Tighten the screws on the corners.

STEP 2



Q × 2

Q1 × 2

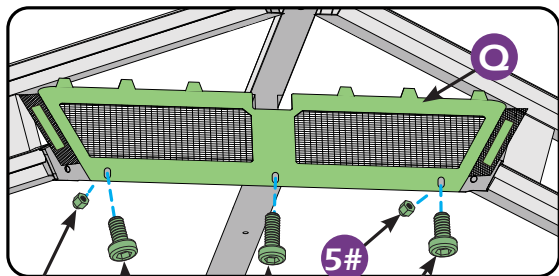
Q2 × 2

Q3 × 4

5# × 16

7# × 16

8# × 8



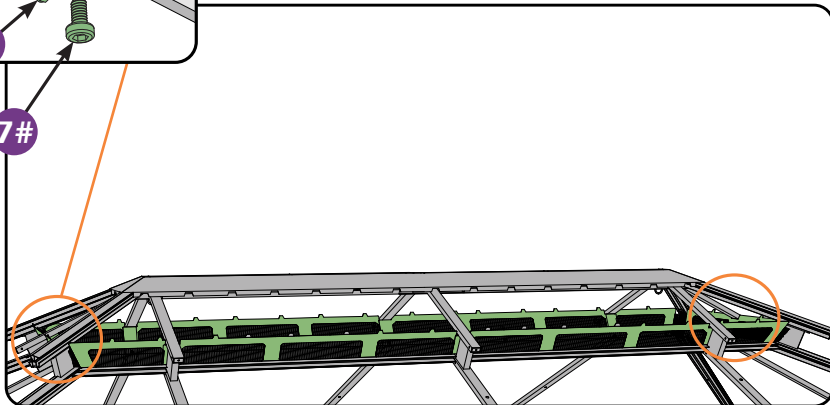
Attention: Please smooth screen first and then tighten screws.

5#

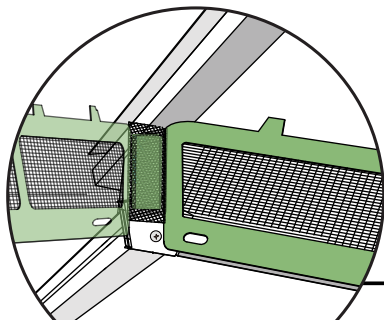
7#

8#

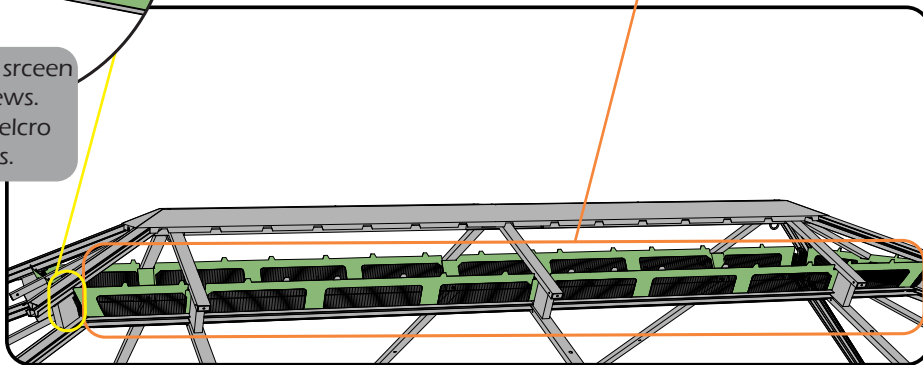
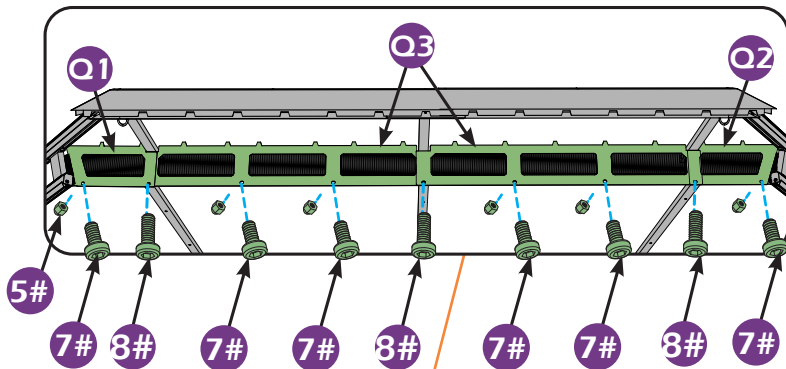
7#



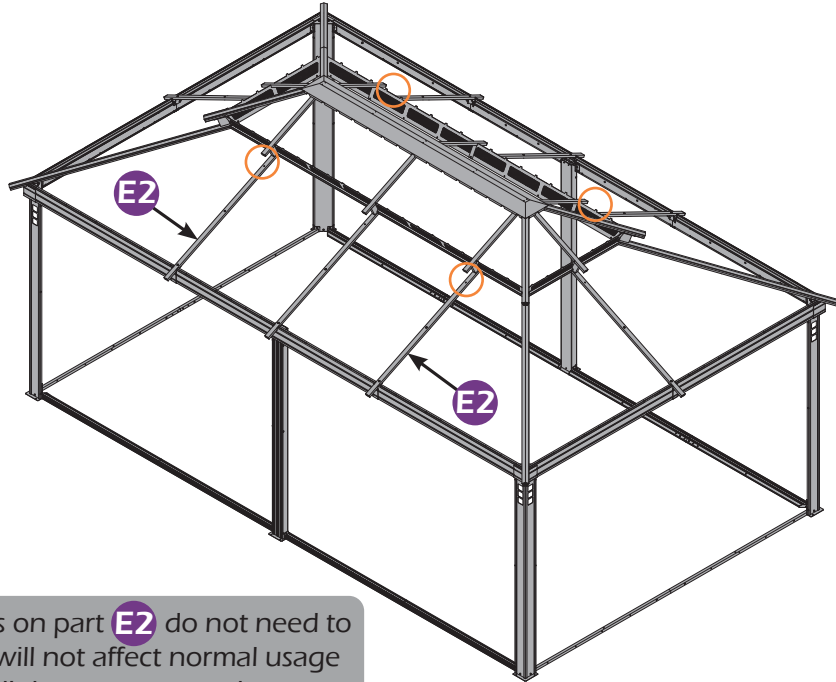
STEP 2



Attention: Please smooth screen first and then tighten screws. Don't forget to stick the velcro between the bug nettings.

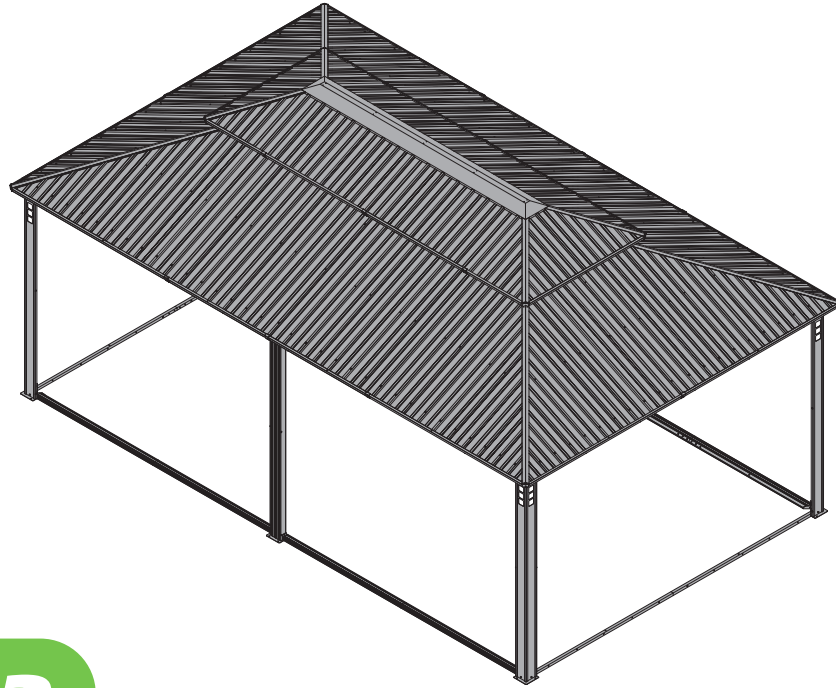


STEP 2

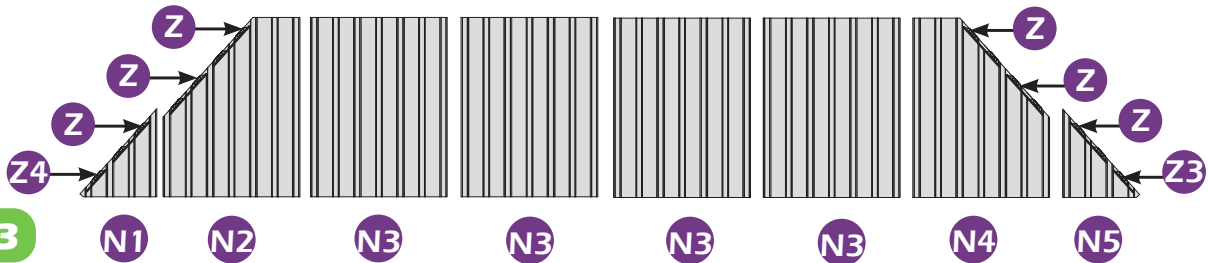
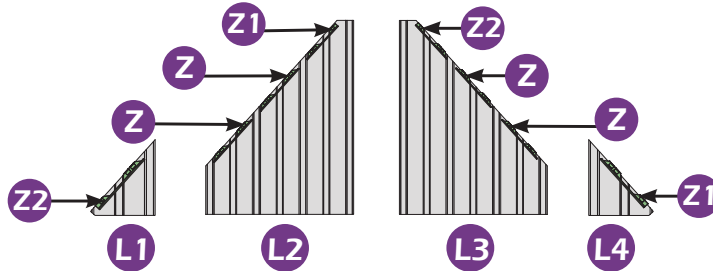
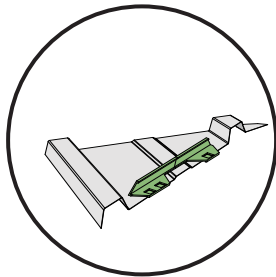


Here are four holes on part **E2** do not need to insert screws in. It will not affect normal usage and you can hang lights per you need.

STEP 2



STEP 3

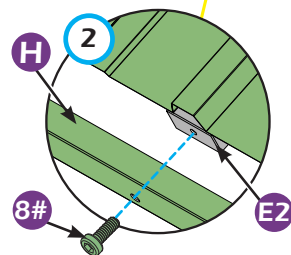
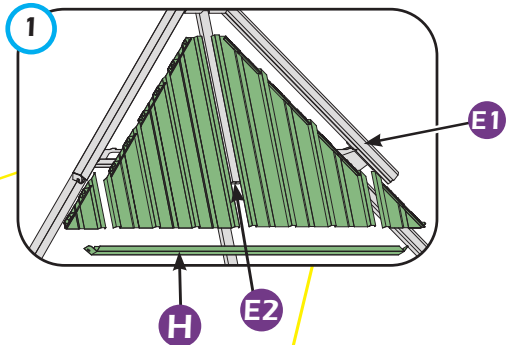
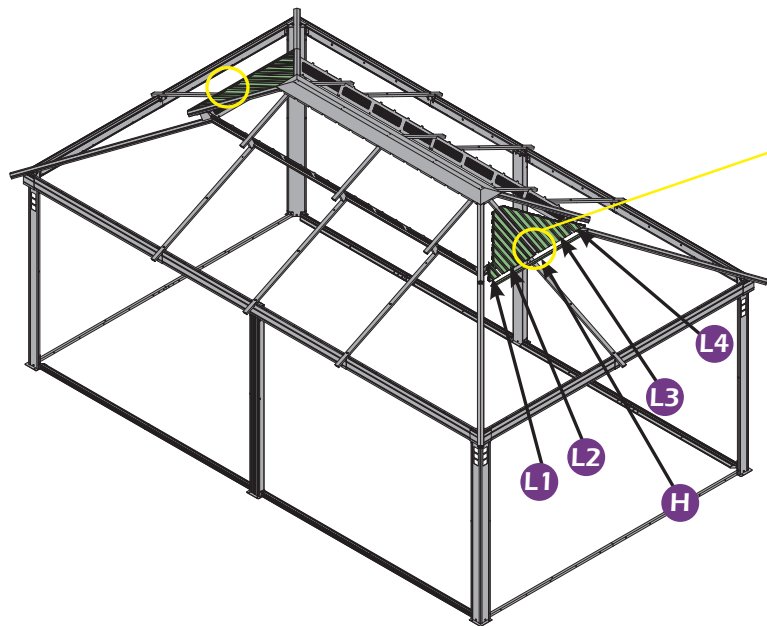


STEP 3



H × 2

8# × 2



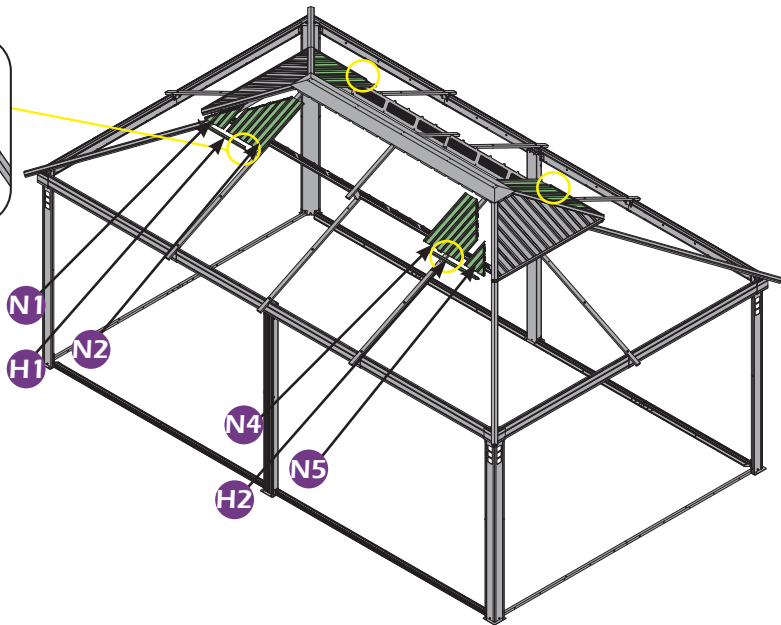
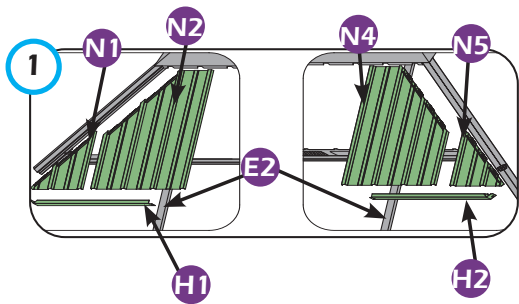
STEP 3



H1 x 2



H2 x 2



STEP 3



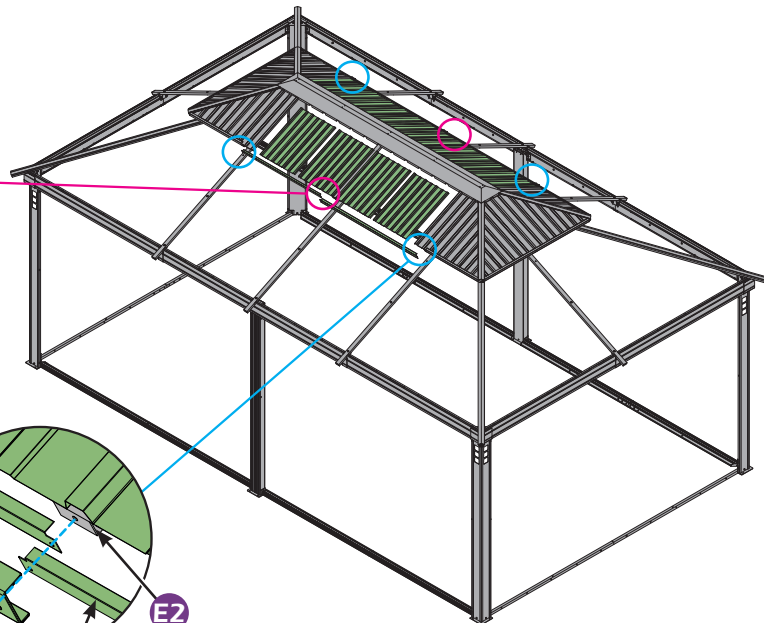
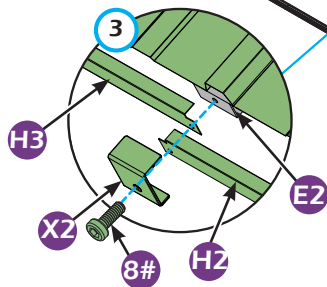
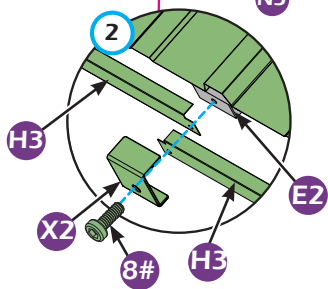
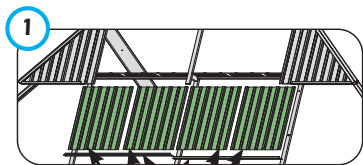
H3×4



X2×6



8#×6



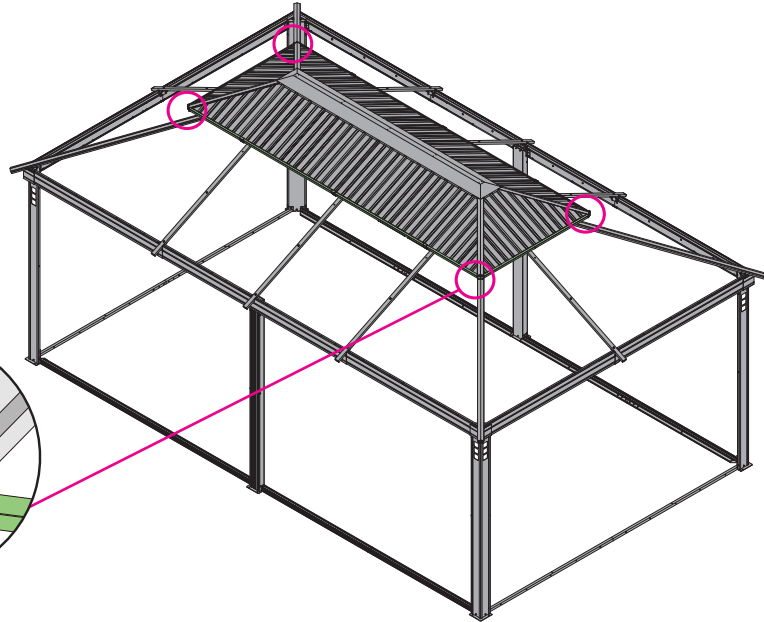
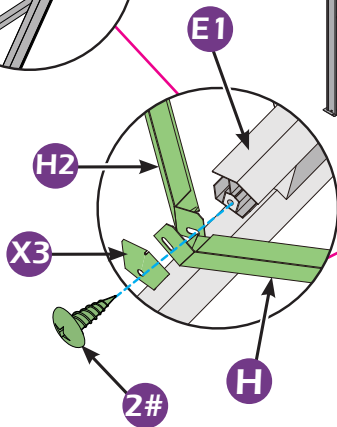
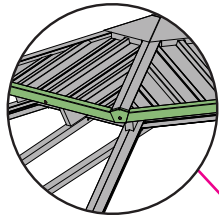
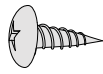
STEP 3



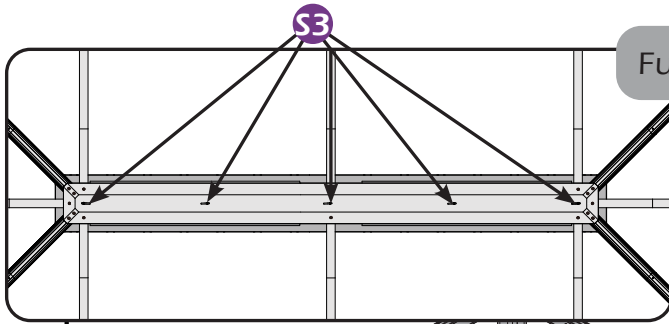
X3 × 4



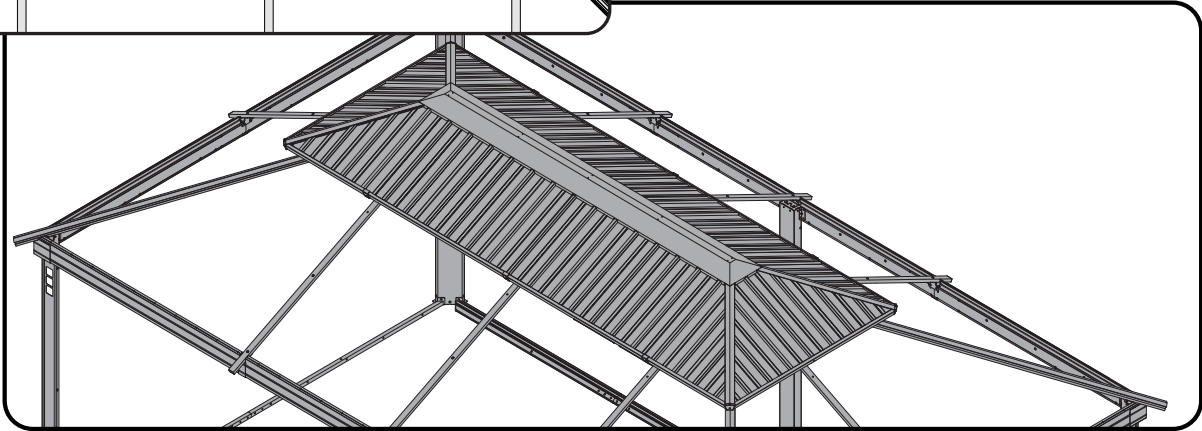
2# × 4



STEP 3



Fully fasten the **S3** bolts in **S** & **S1**.



STEP 3



G1 × 4



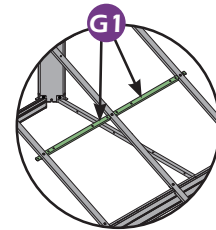
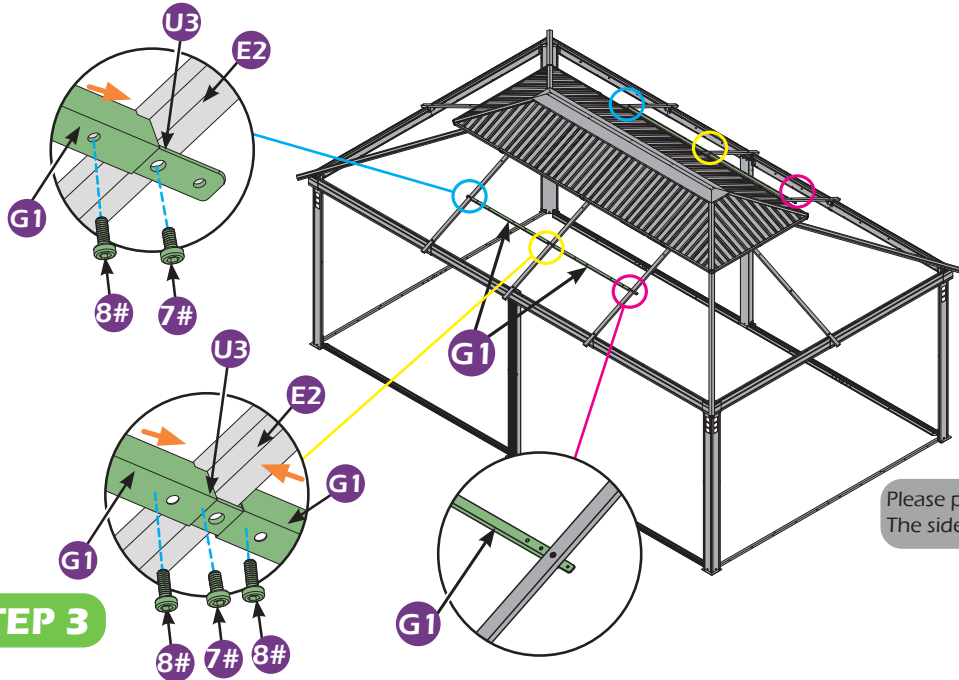
7# × 6



U3 × 6



8# × 8



Please pay attention to the direction of part G1.
The side with two wider holes faces middle.

STEP 3



F × 4



U2 × 4



7# × 2



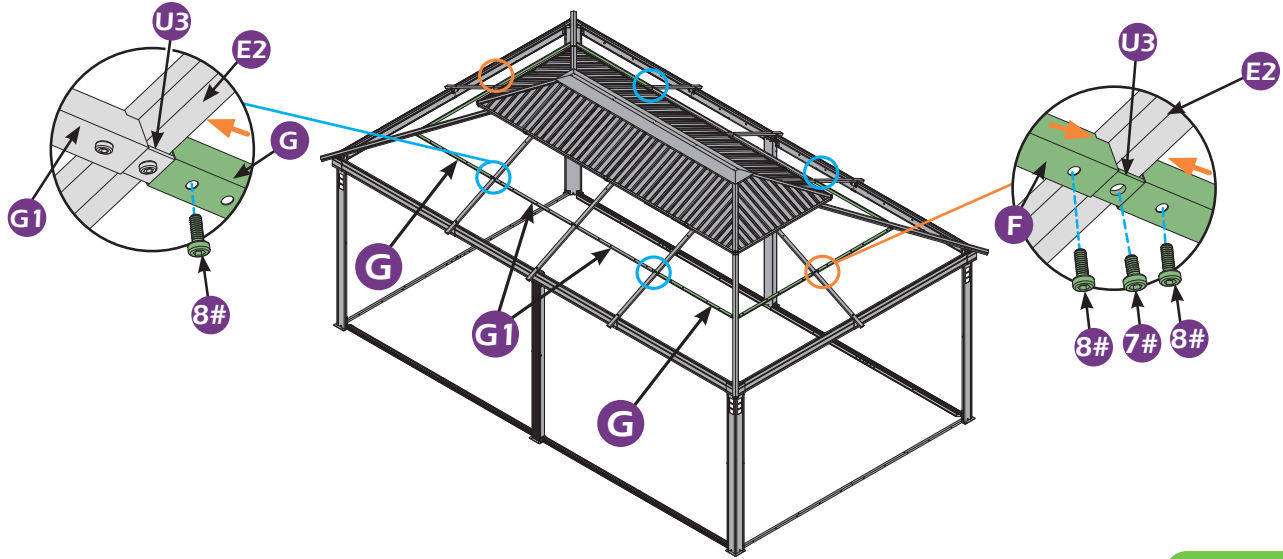
G × 4



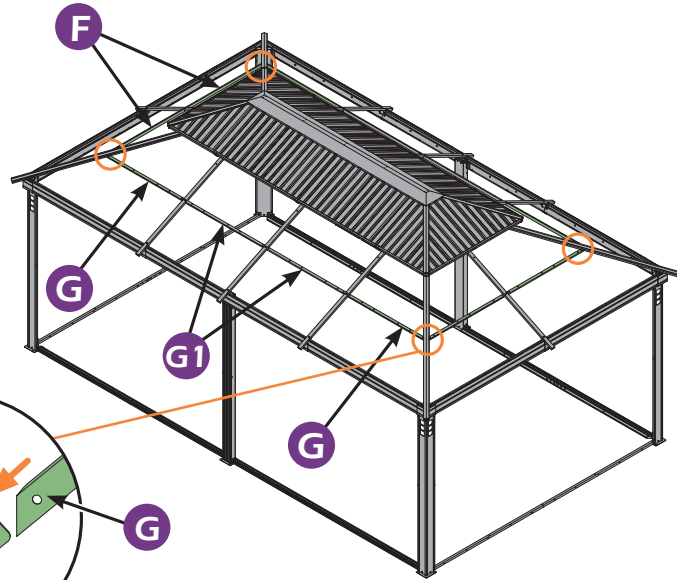
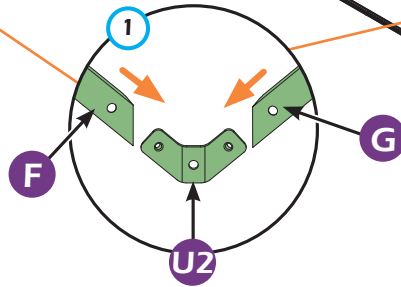
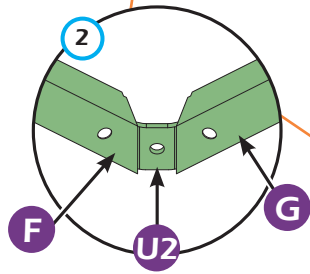
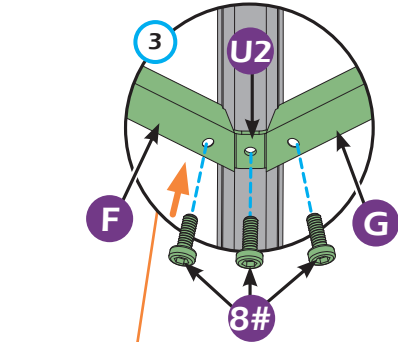
U3 × 2



8# × 20



STEP 3



STEP 3



M1 x 2

M2 x 2

M3 x 2

M4 x 2

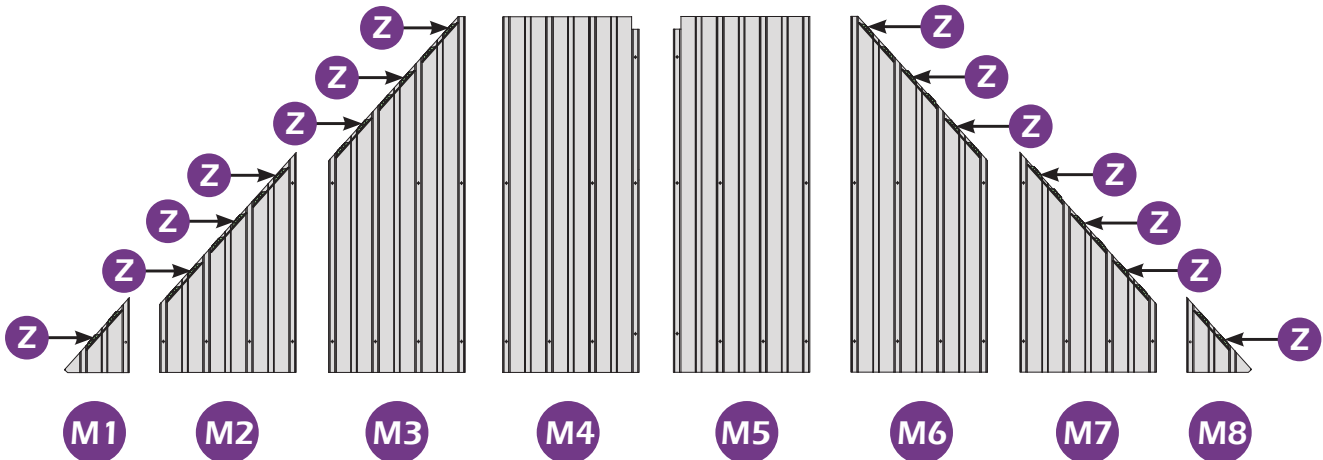
Z x 28

M5 x 2

M6 x 2

M7 x 2

M8 x 2



STEP 3



P1 × 2

P2 × 2

P3 × 2

P4 × 2

P5 × 2

P6 × 2

Z × 28

P7 × 2

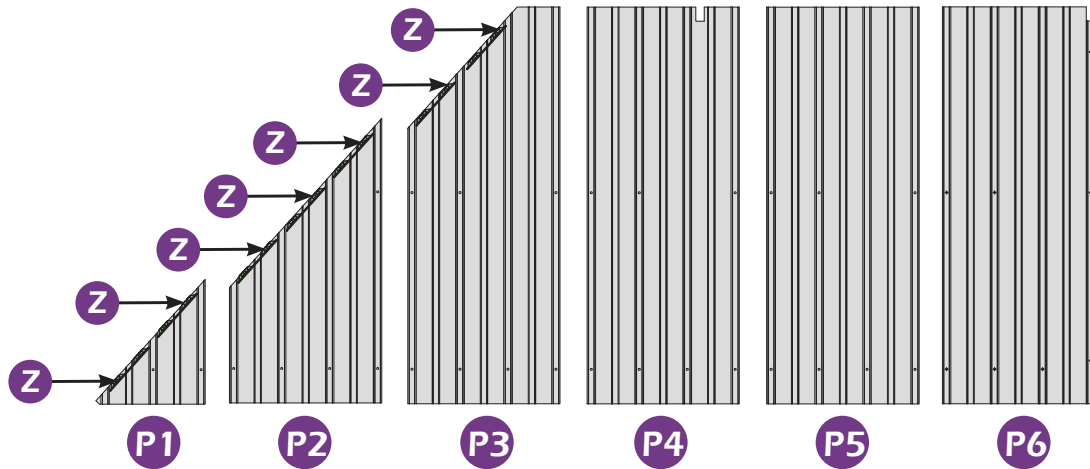
P8 × 2

P9 × 2

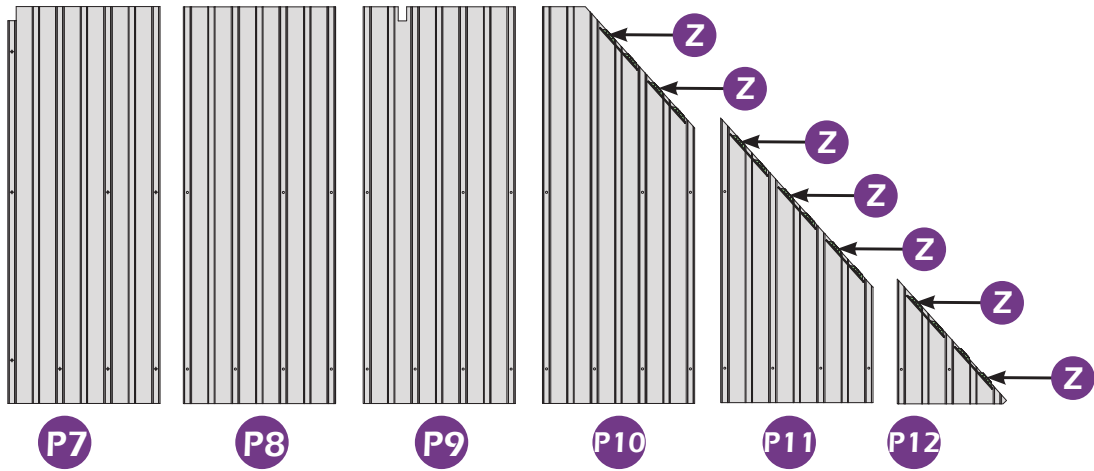
P10 × 2

P11 × 2

P12 × 2

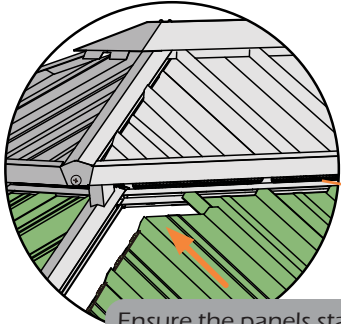


STEP 3

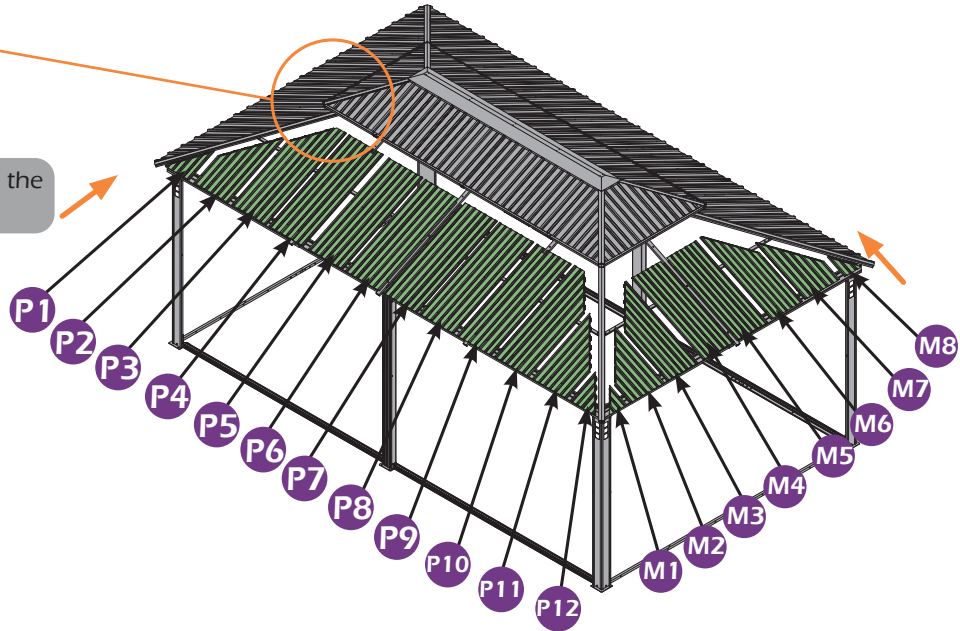
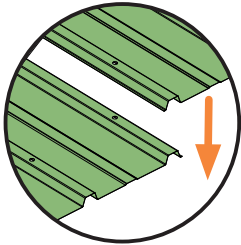


STEP 3

Install the middle panels first (P6 , P7 or M4 , M5) then the small panels on the edge. Overlap panels by one single. Ensure tighten the screws and rubber cubes for each panel's installation as next page shows.



Ensure the panels stay in the rails as picture indicates.



STEP 3

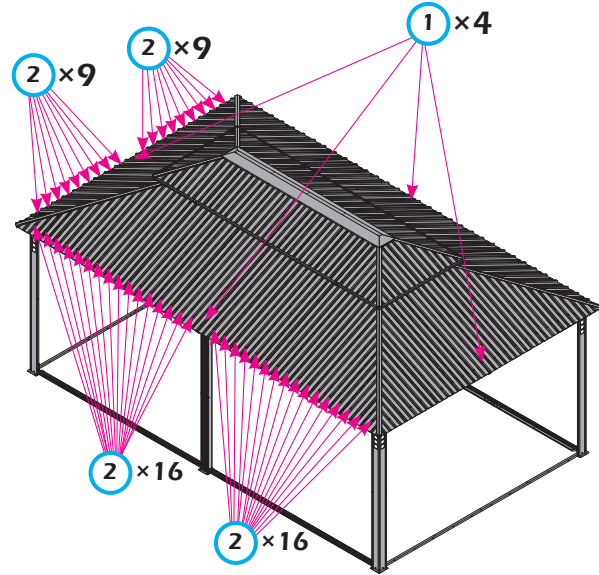
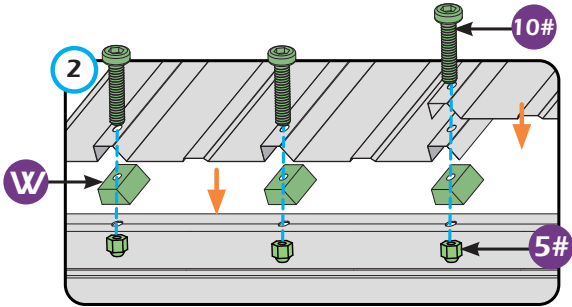
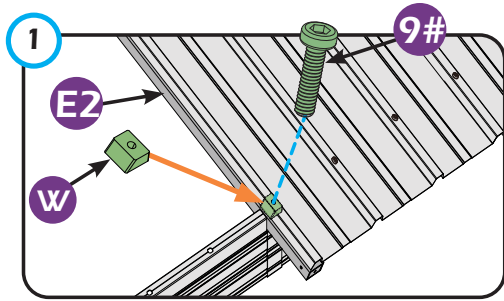


5# × 100 

9# × 4 

10# × 100 

W × 104 



STEP 3



5#×52



9#×4



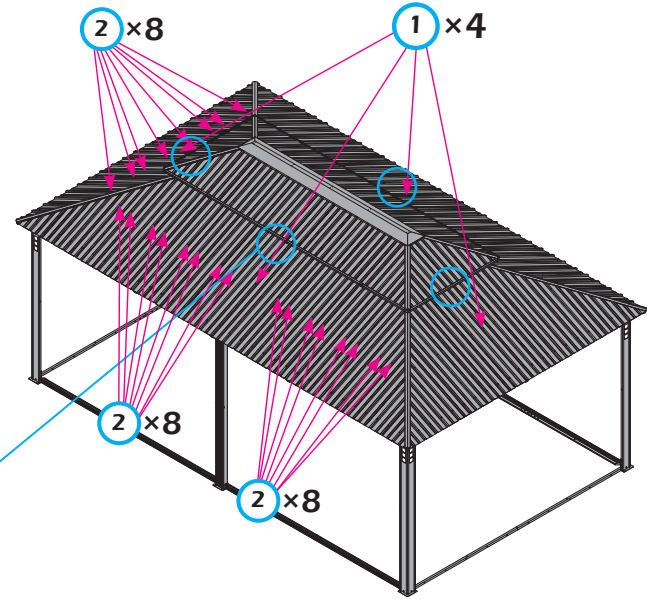
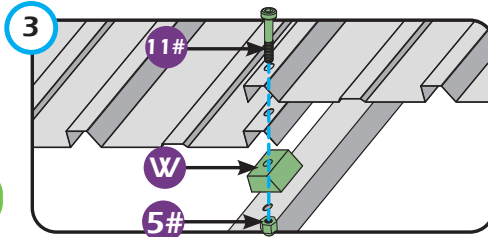
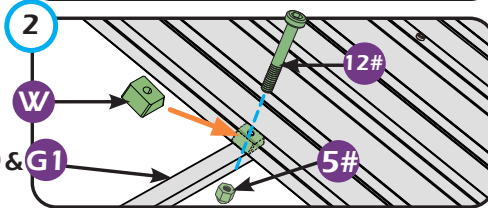
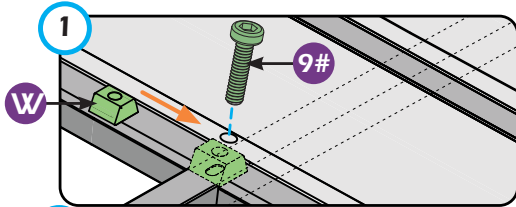
12#×48



11#×4



W×56



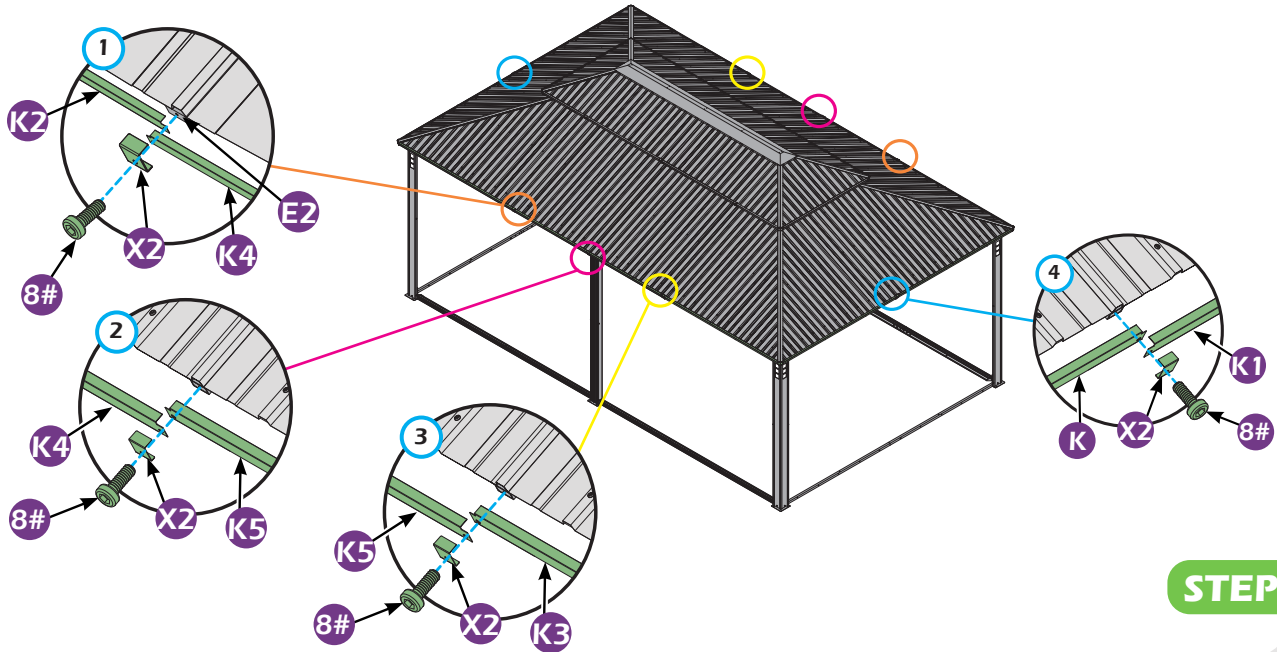
STEP 3



K × 2
K1 × 2
K2 × 2

K3 × 2
K4 × 2
K5 × 2

X2 × 8
8# × 8



STEP 3



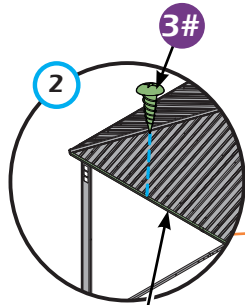
2# × 4



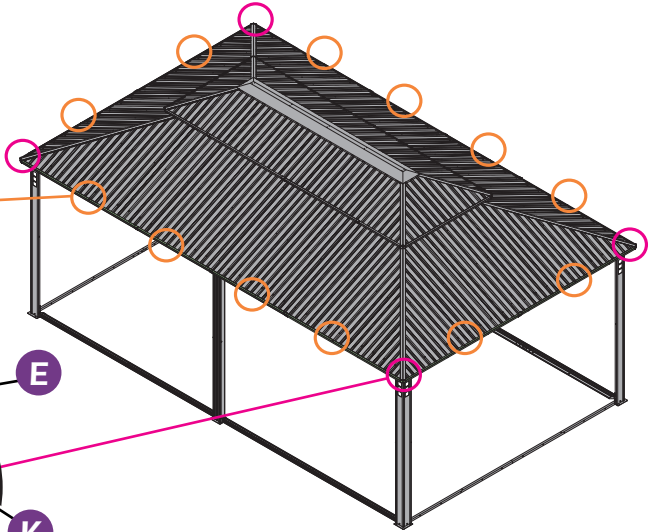
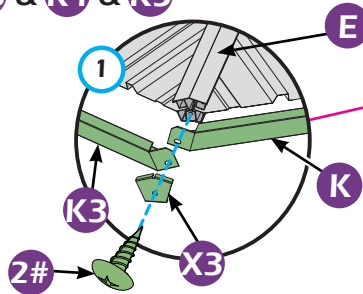
3# × 12



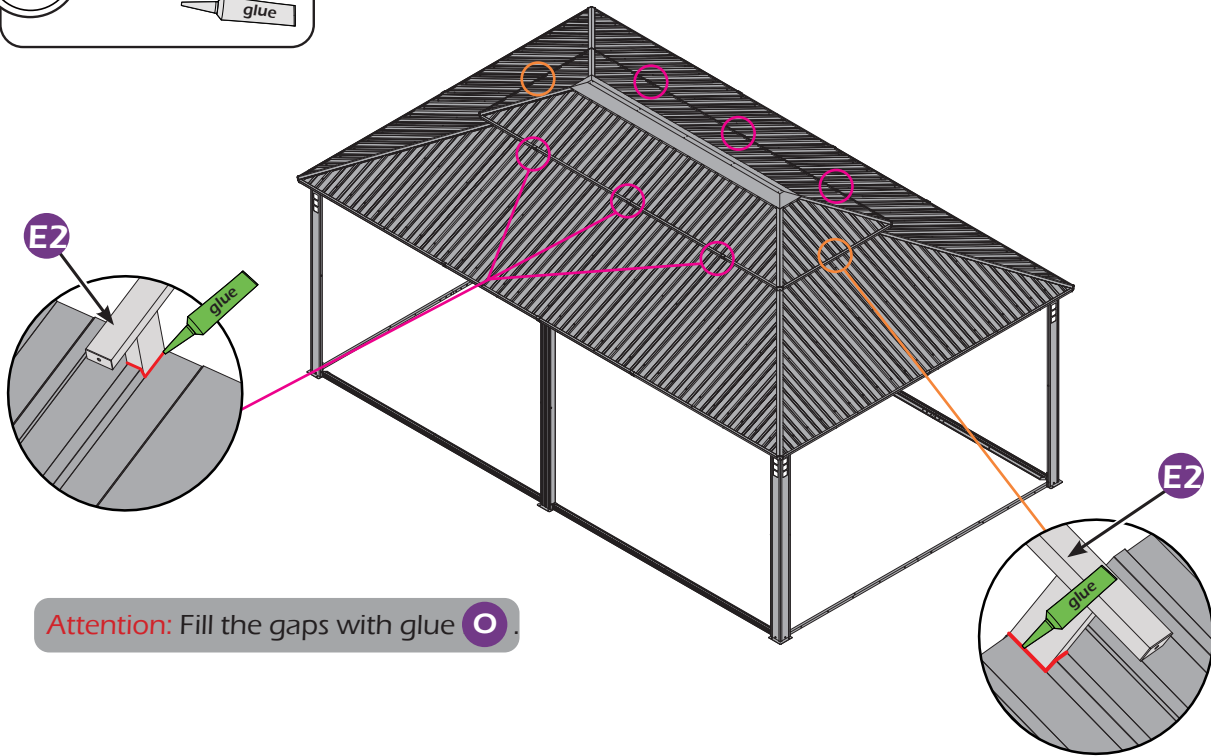
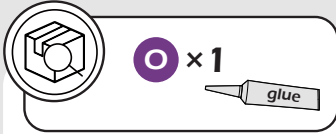
X3 × 4



K & K1 & K2 & K3 & K4 & K5

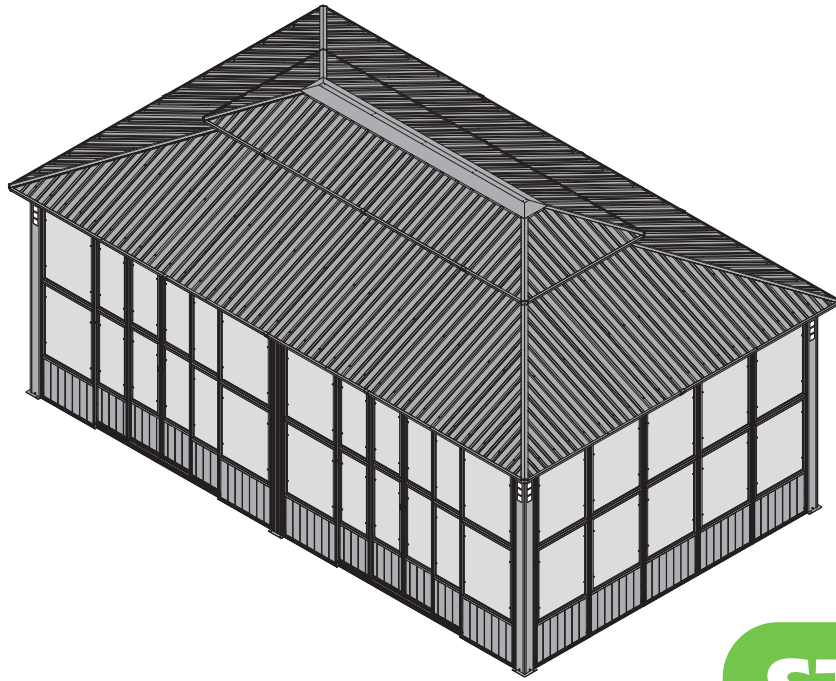


STEP 3



Attention: Fill the gaps with glue ○

STEP 3



STEP 4



V × 8



Y × 4



V1 × 2



Y1 × 4



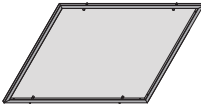
V2 × 8



Y2 × 4



AA × 36



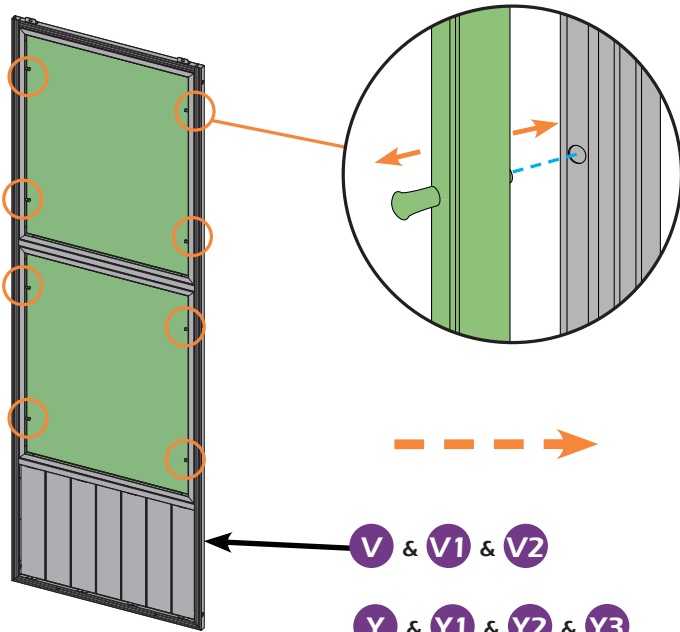
BB × 32



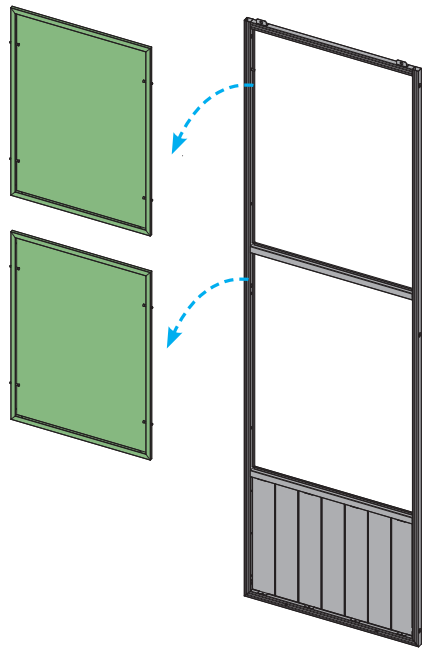
Y3 × 4



STEP 4



Remove all of windows from each panel.



STEP 4



V × 8



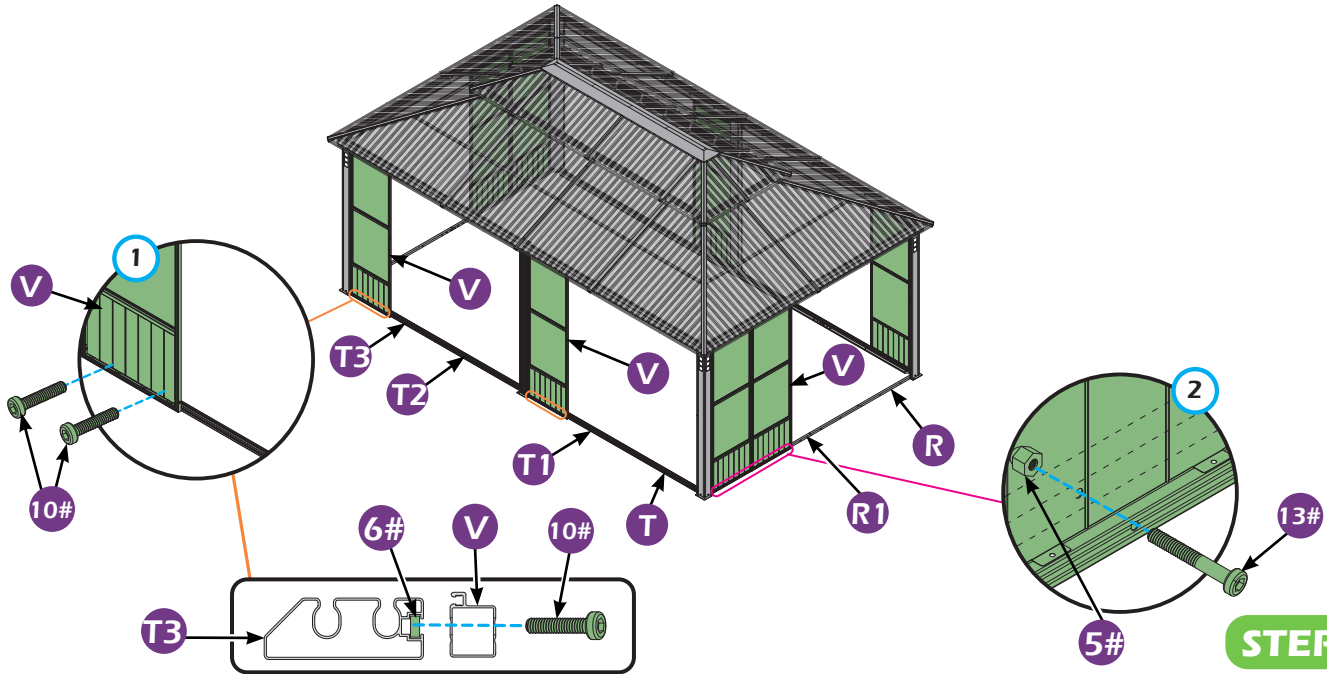
5# × 8



10# × 8



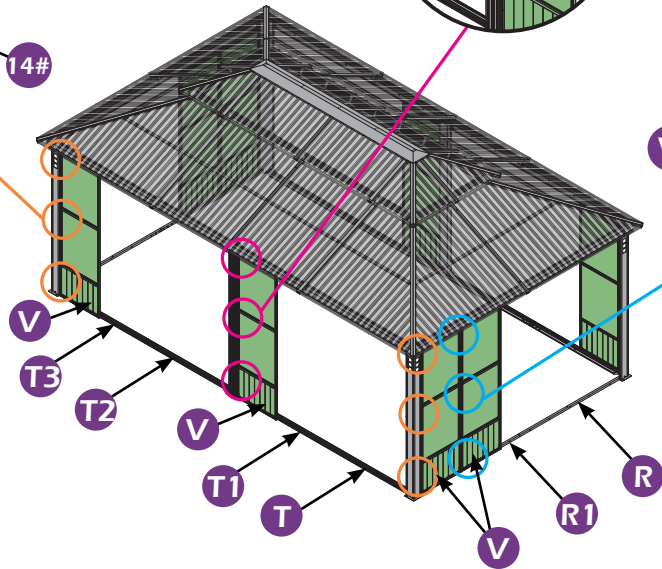
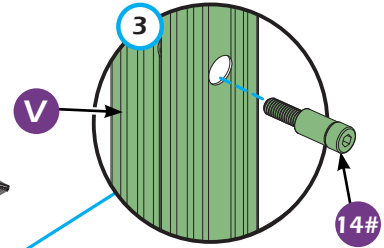
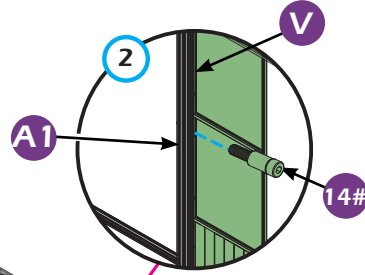
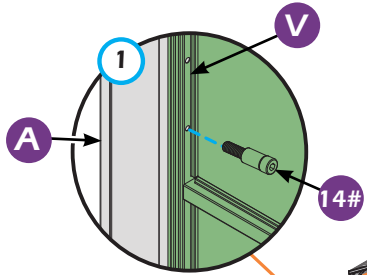
13# × 8



STEP 4



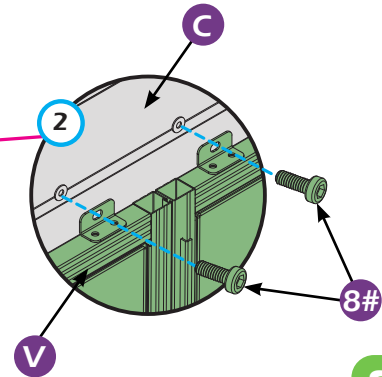
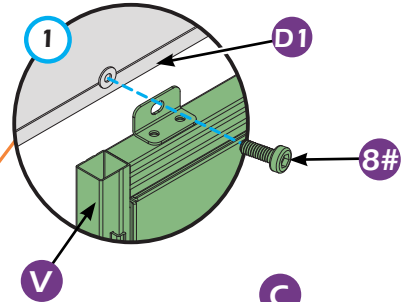
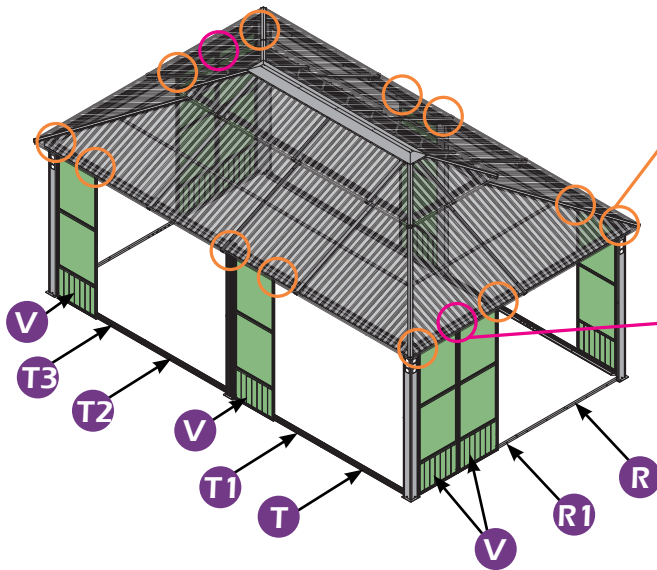
14#×24



STEP 4



8# × 16



STEP 4



V2×8



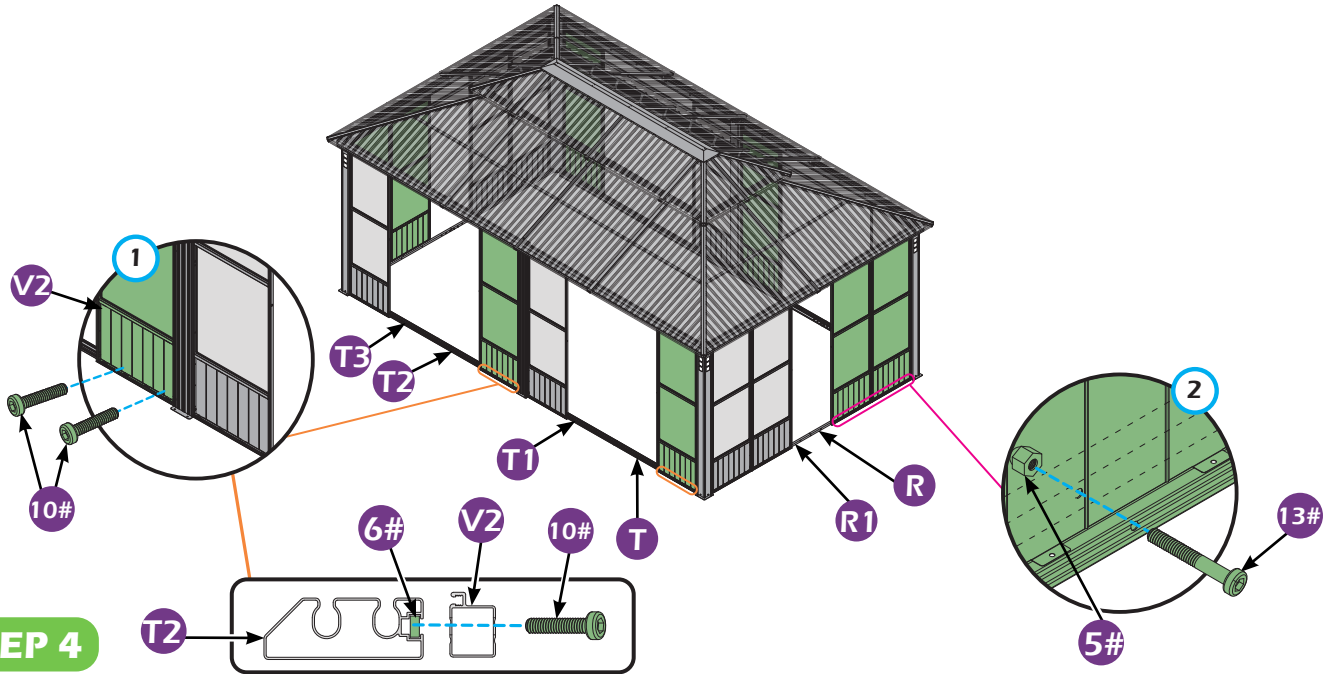
5#×8



10#×8



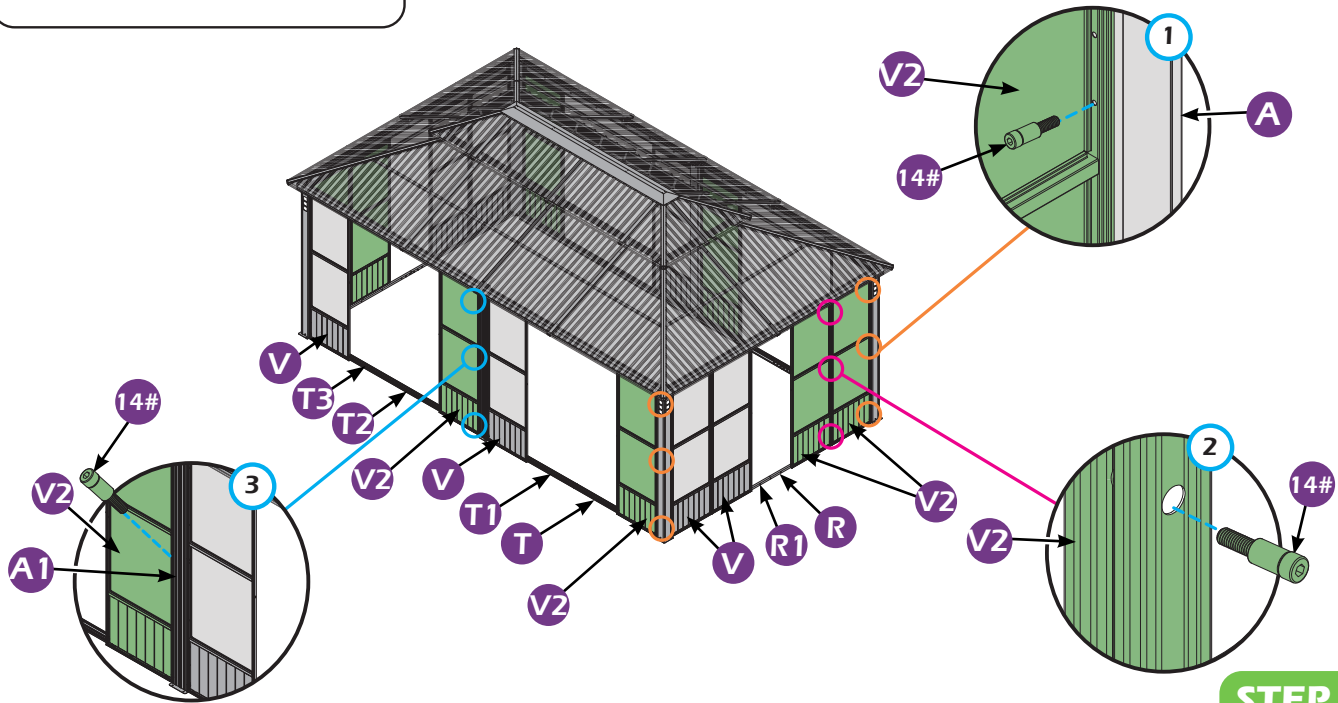
13#×8



STEP 4



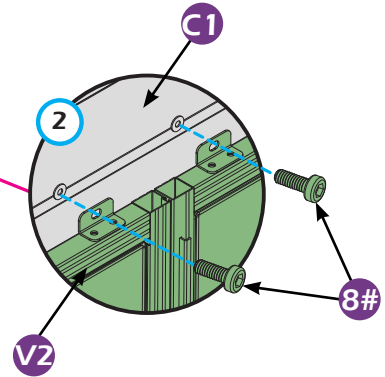
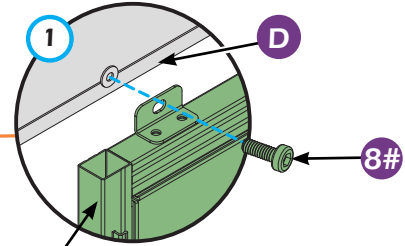
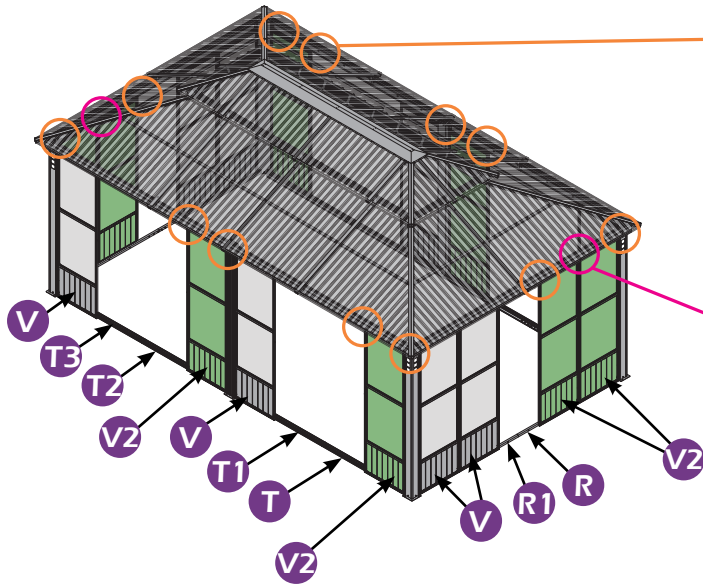
14#×24



STEP 4



8#×16



STEP 4



V1×2



5#×4



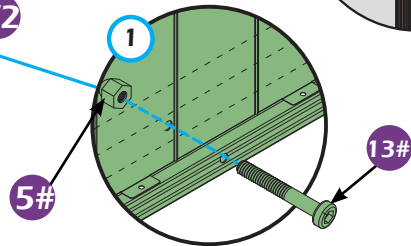
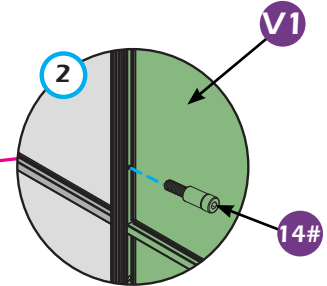
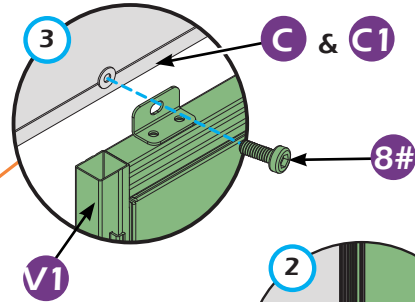
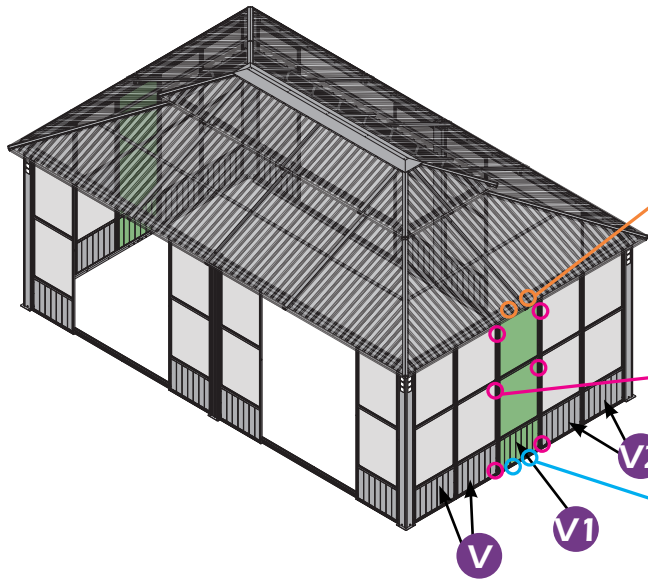
8#×4



13#×4



14#×12



STEP 4



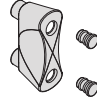
Y1×4



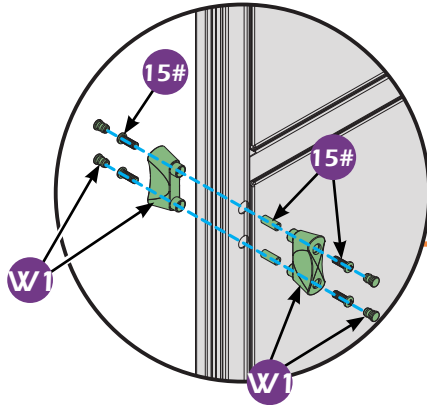
Y2×4



W1×16



15#×16



Y1



Y2



STEP 4



R2×2



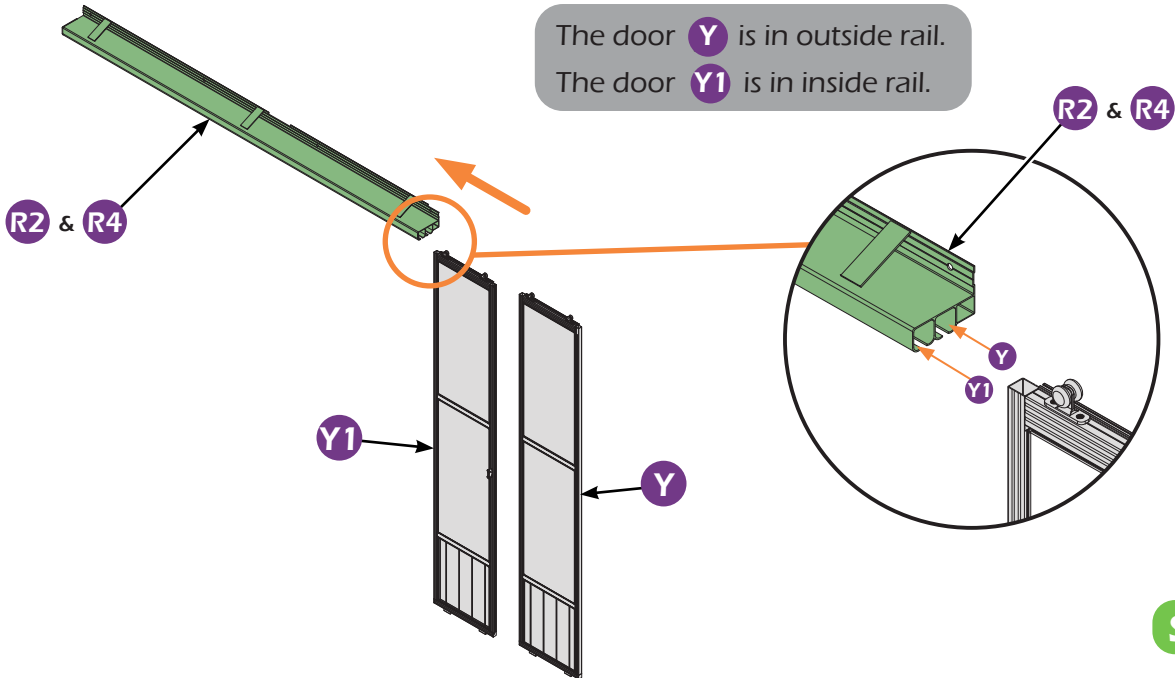
R4×2



Y×4



Y1×4



STEP 4



R3×2



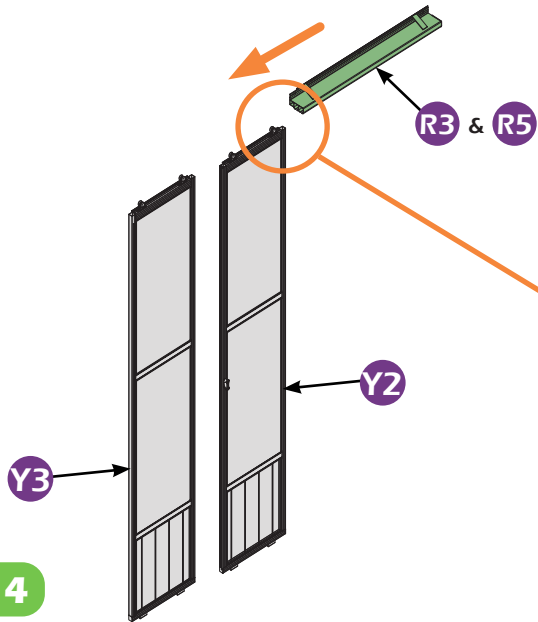
R5×2



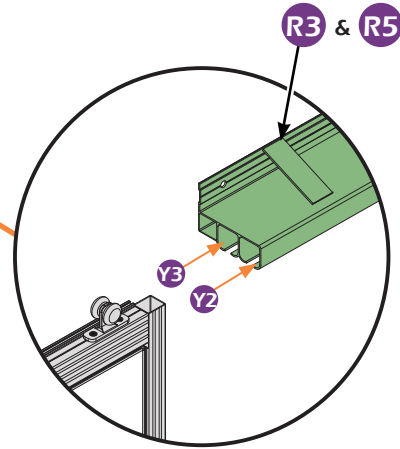
Y2×4



Y3×4



The door Y3 is in outside rail.
The door Y2 is in inside rail.



STEP 4



Y × 4



Y2 × 4



R2 × 2



R4 × 2



8# × 28



Y1 × 4



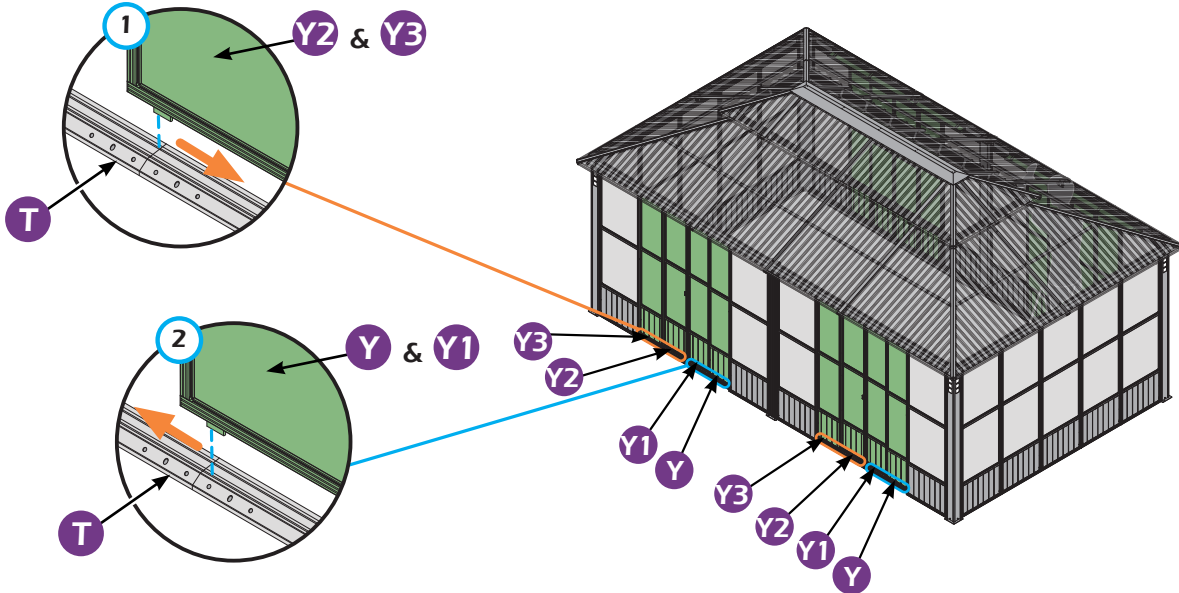
Y3 × 4



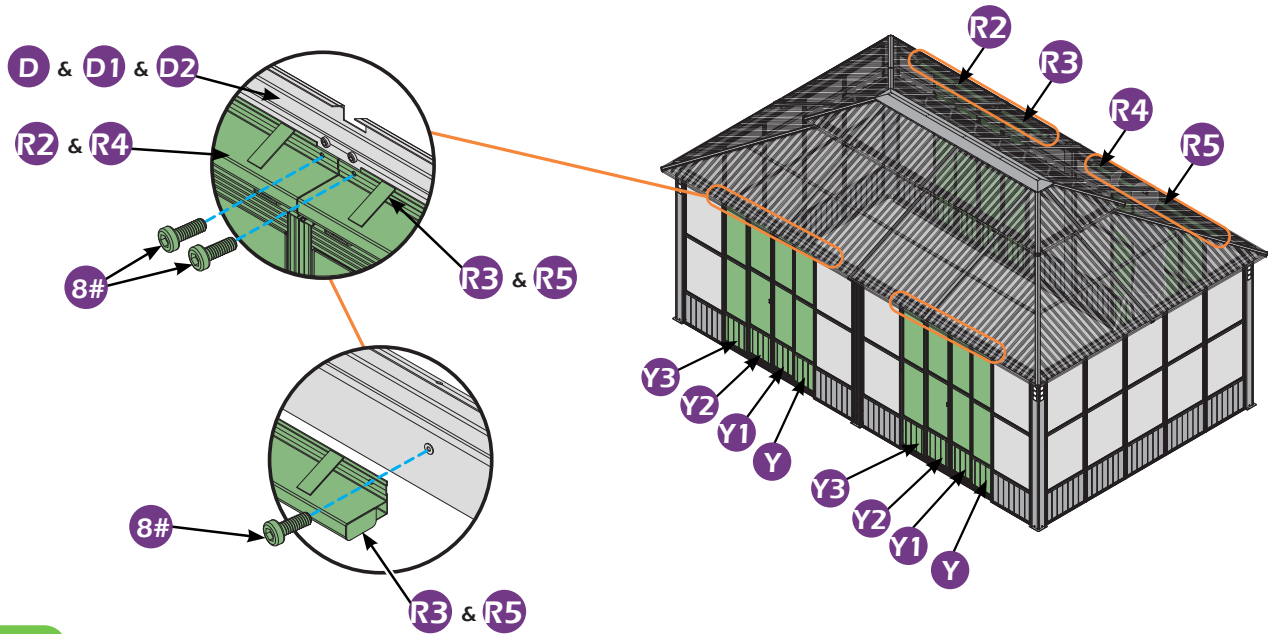
R3 × 2



R5 × 2



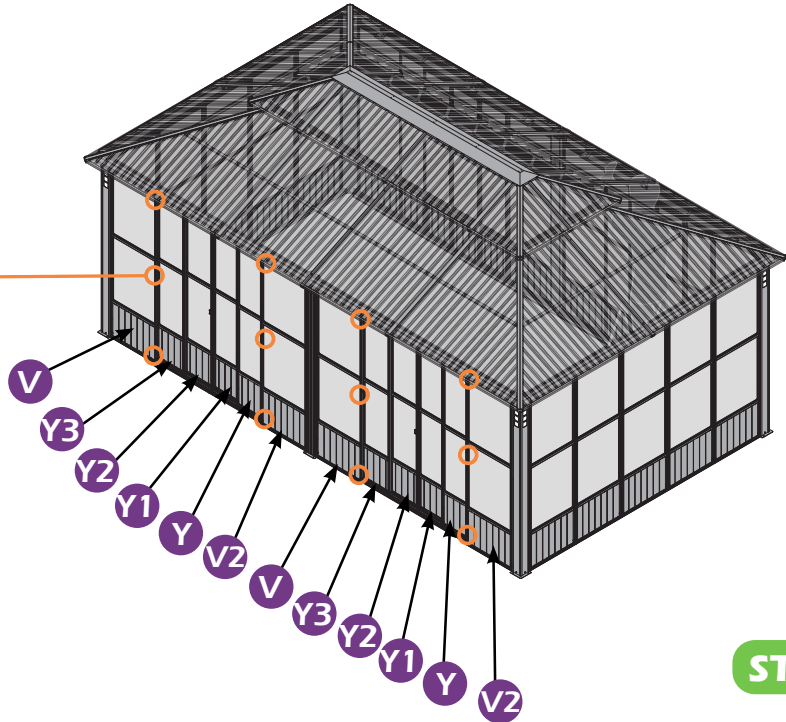
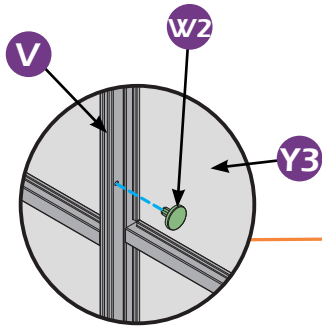
STEP 4



STEP 4



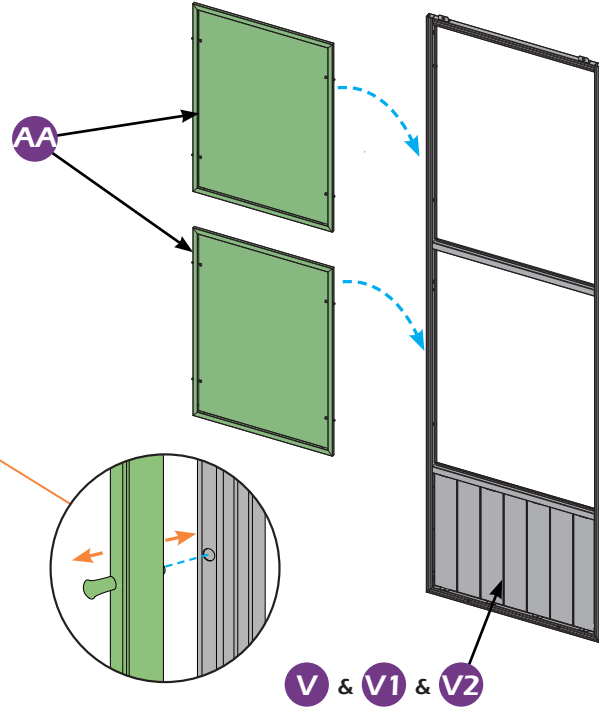
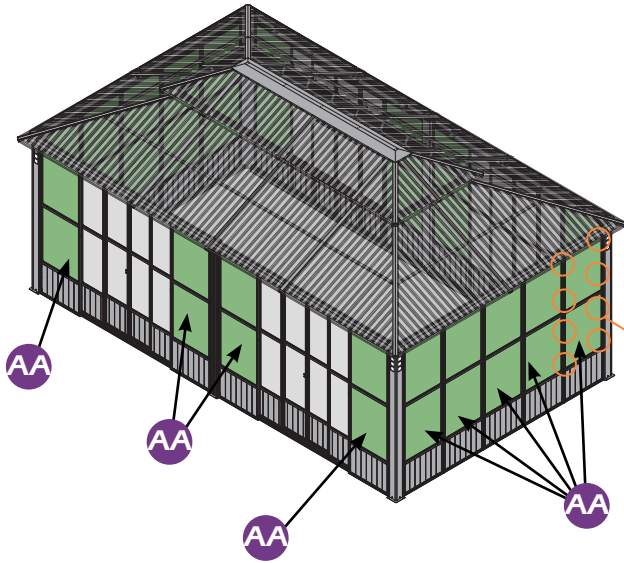
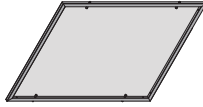
W2×24



STEP 4



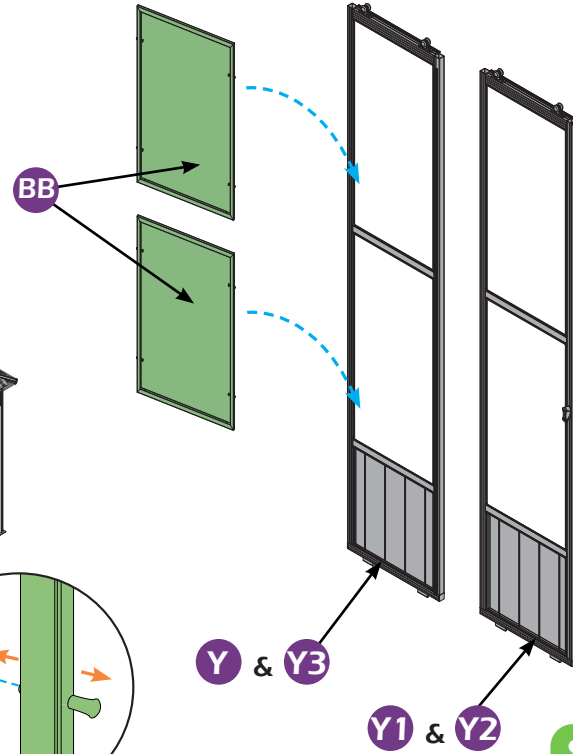
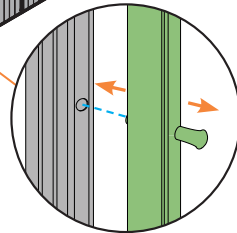
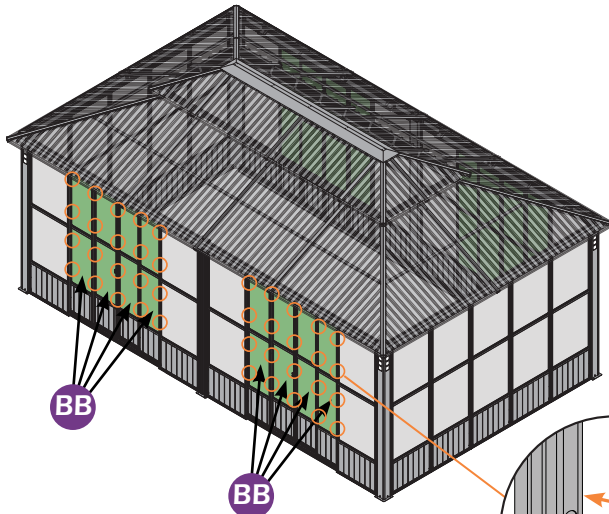
AAx36



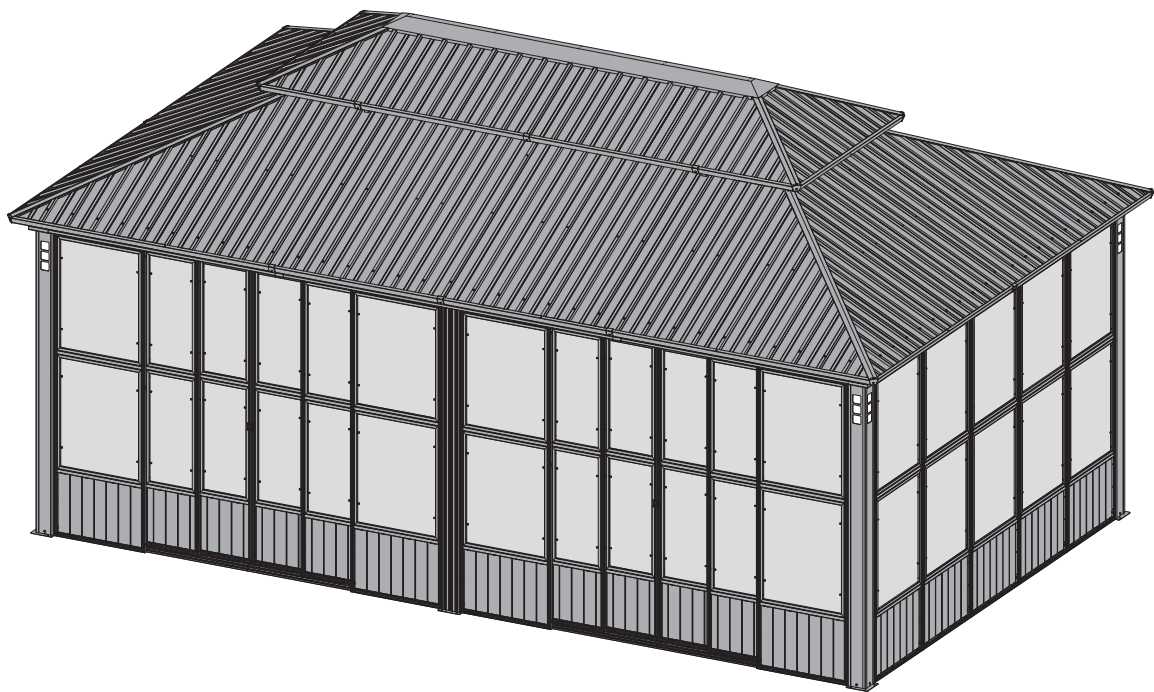
STEP 4



BB × 32



STEP 4



STEP 4



I × 12



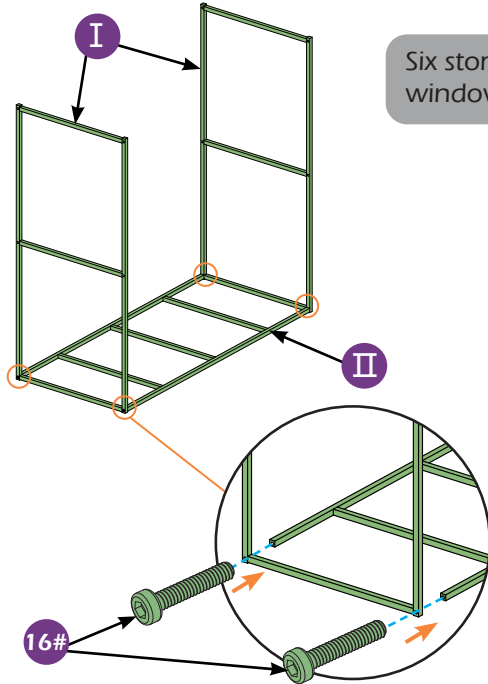
II × 6



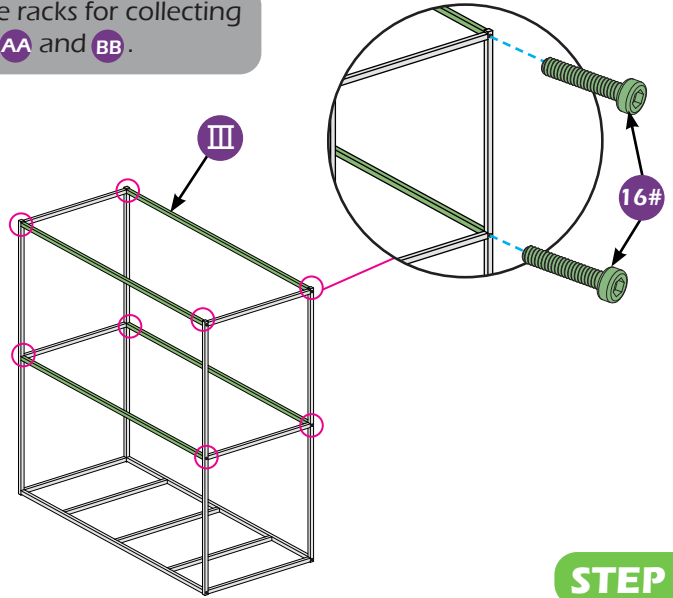
III × 24



16# × 72



Six storage racks for collecting windows AA and BB.



STEP 4

Care and Cleaning

Wash frame parts with mild soap and water, rinse thoroughly.

Dry frame completely .

Do not use bleach, acior, other solvents on frame parts.

Please inspect and tighten all bolts or fasteners on a regular basis to ensure proper performance and safety of your gazebo.

Warranty

Frames

Frames constructions are warranted to be free from defects in material and workmanship for 1 year from item purchased. Damage to frame from negligence won't be covered by this warranty.

Bolts & Nuts

Bolts and nuts are warranted to be free from defects in material and workmanship for 1 year from item purchased. Damage from exposure to chemicals (including but not only oils, spills, fluids) won't be covered by this warranty.

Warranty Limitation

This warranty is for the original purchase order only (Order number required). This warranty is non-transferable. Purple Leaf is responsible for the free replacement parts including shipping charges for the 1 year warranty.

Warranty Exclusion

This warranty does not cover situations subject to negligence, abuse usage, inappropriate installation, extreme weather condition. Purple Leaf reserves the right to explain warranty exclusions. When the replacement item is applied, the 1 year warranty automatically expires. Please feel free to contact us to apply for warranty.



*Purple Leaf Inc.
15950 Boyle Avenue, Fontana,
CA, 92337, US
gazebo@purpleleafgarden.com
©Copyright 2013-2024 Purple Leaf Inc.
All Rights Reserved.V1.*