
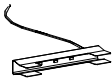
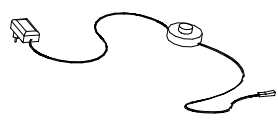




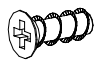

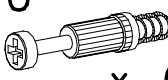

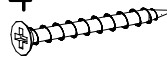
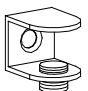

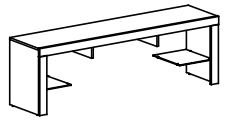
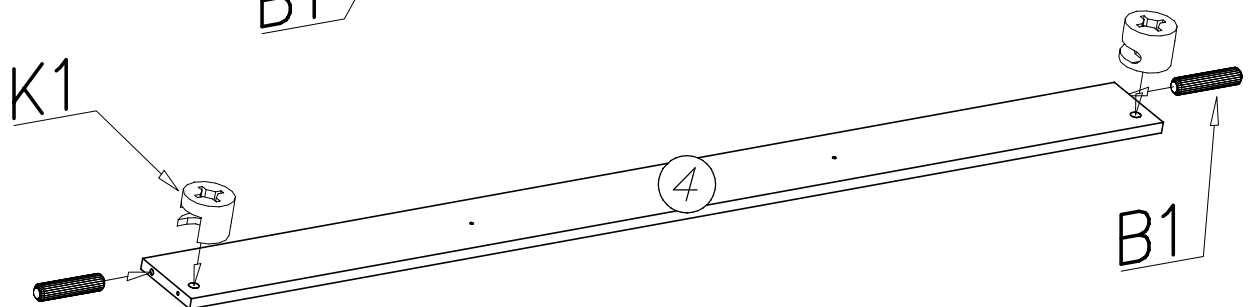
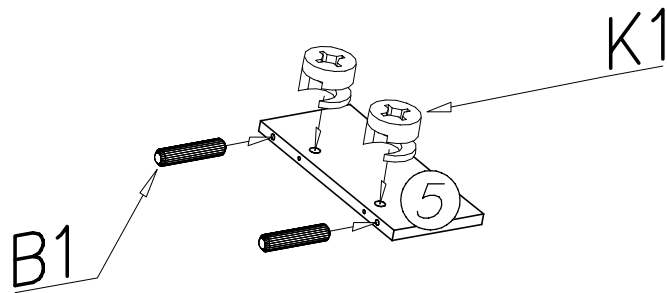
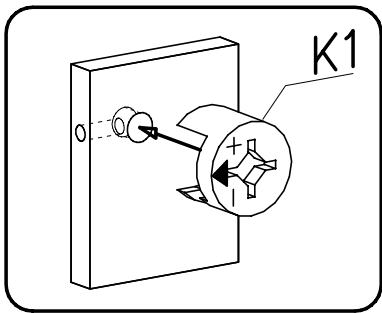
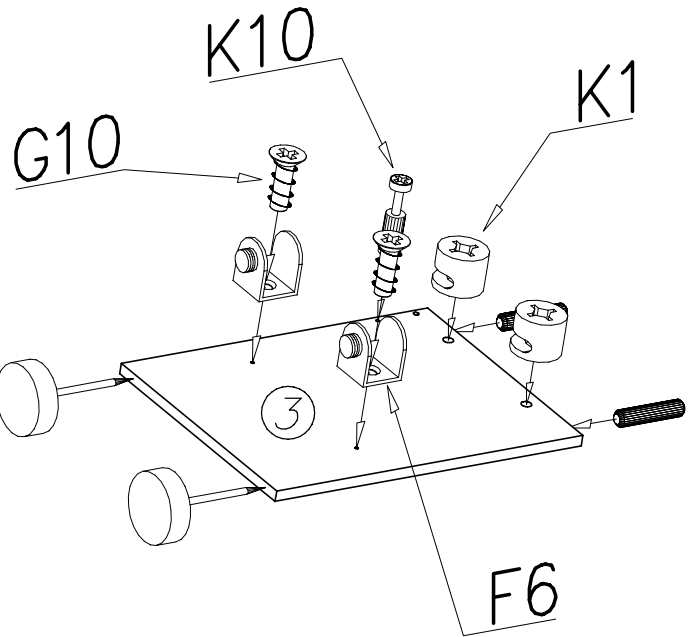
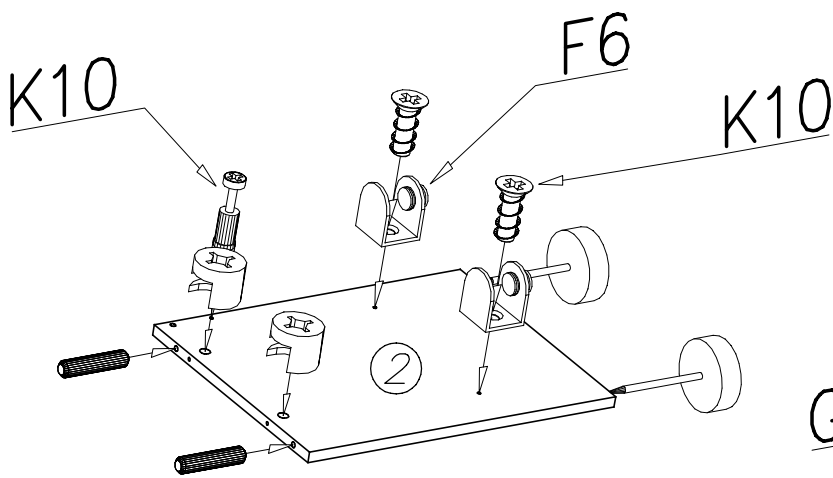
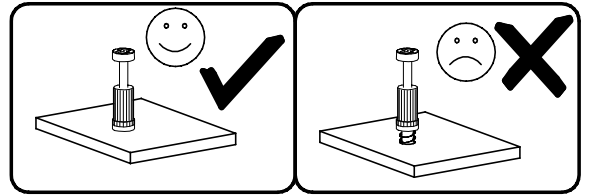
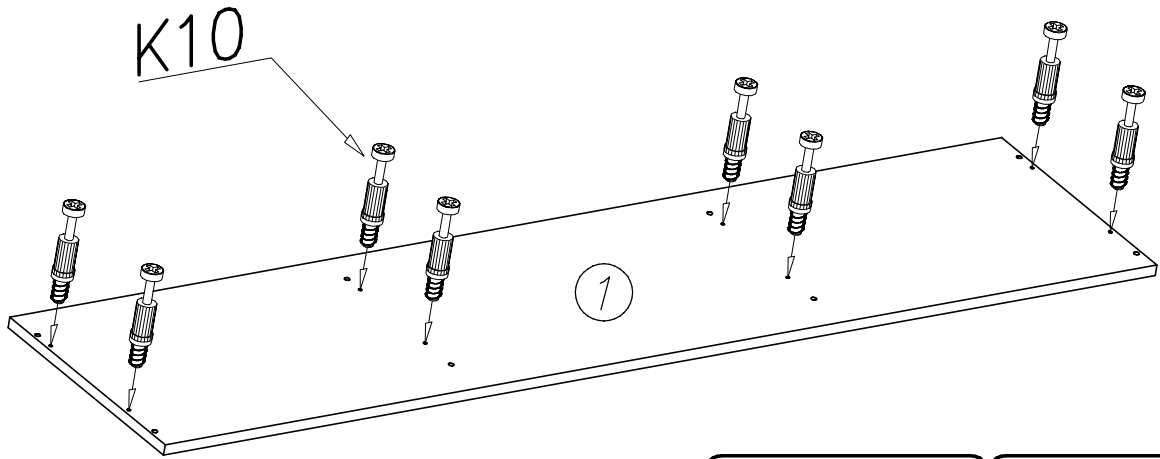
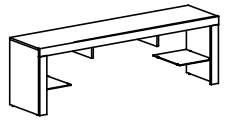


P4  x...(4)	W5 LED  x...(2)	W13  x...(1)	P33  x...(6)	G56  4x16 x...(40)
K1  ø15x12 x...(10)	I7  x...(10)		G10  6x13 x...(8)	F12  x...(10)
K10  x...(10)	B1  ø8x35 x...(10)	G14  3,5x45 x...(2)	F6  x...(8)	G34  3,5x16 x...(12)

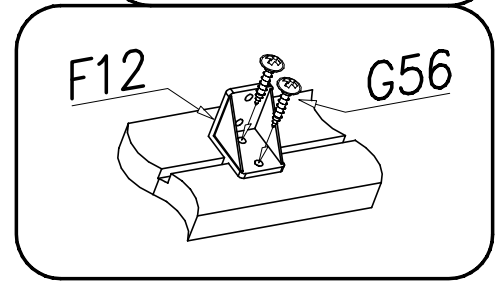
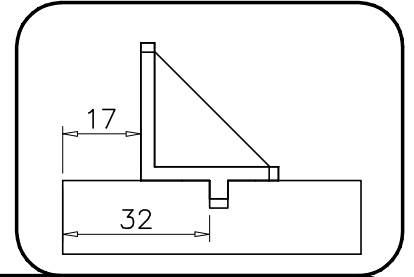
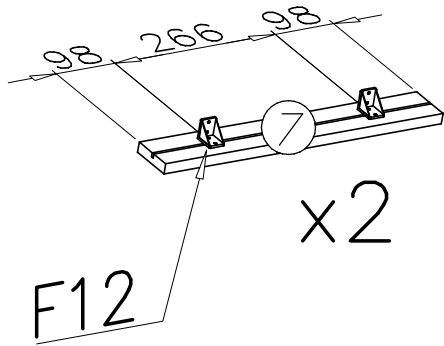
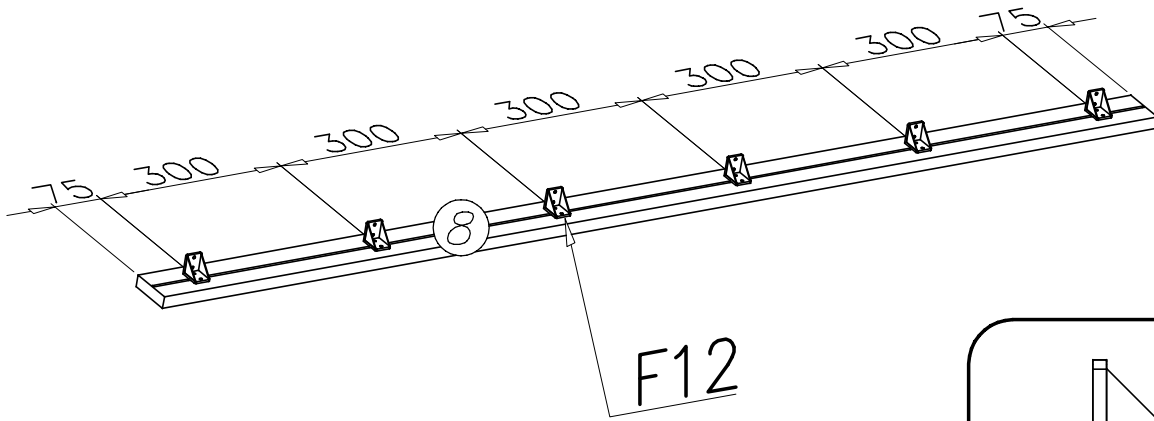


I

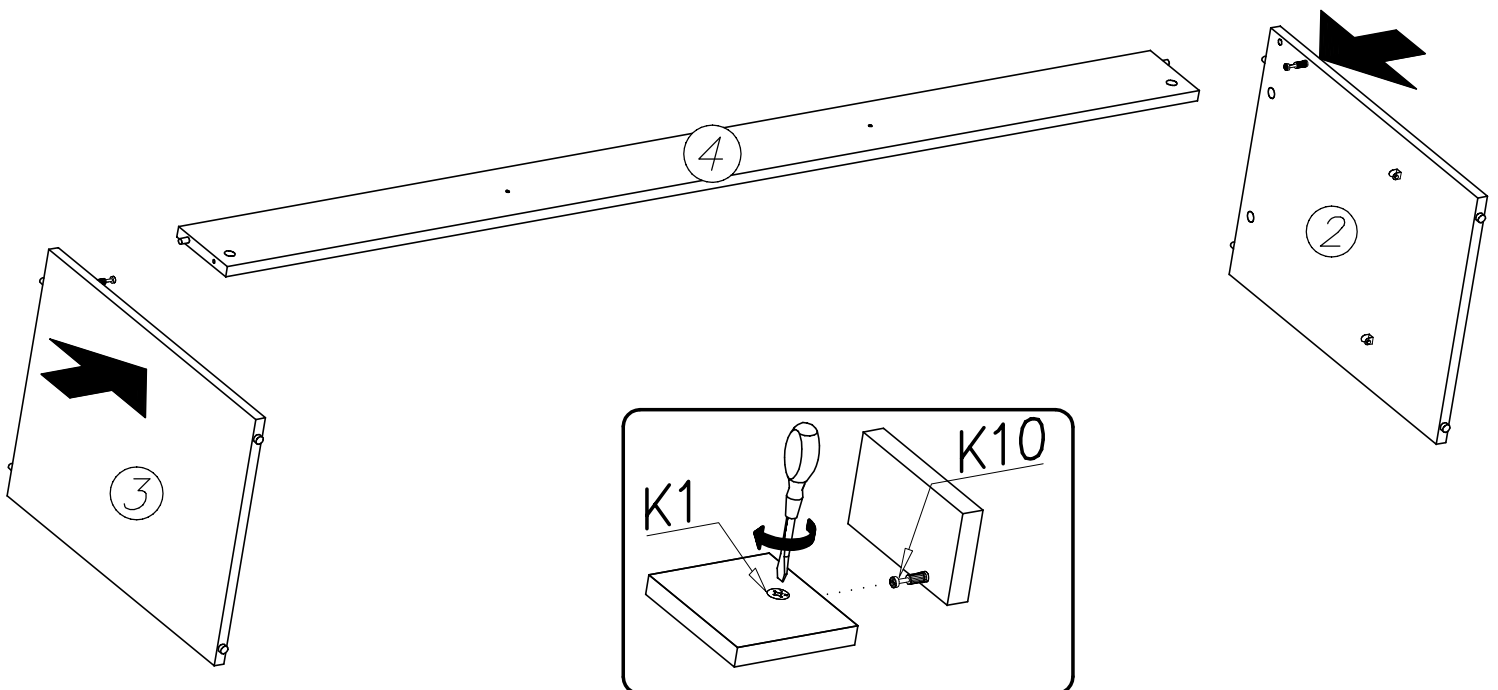


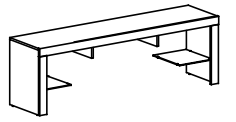


II

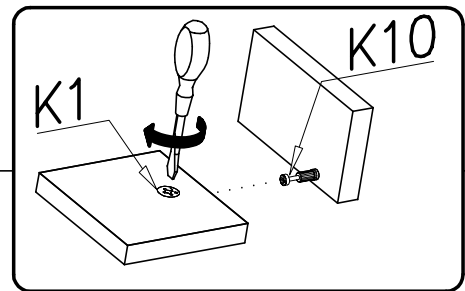
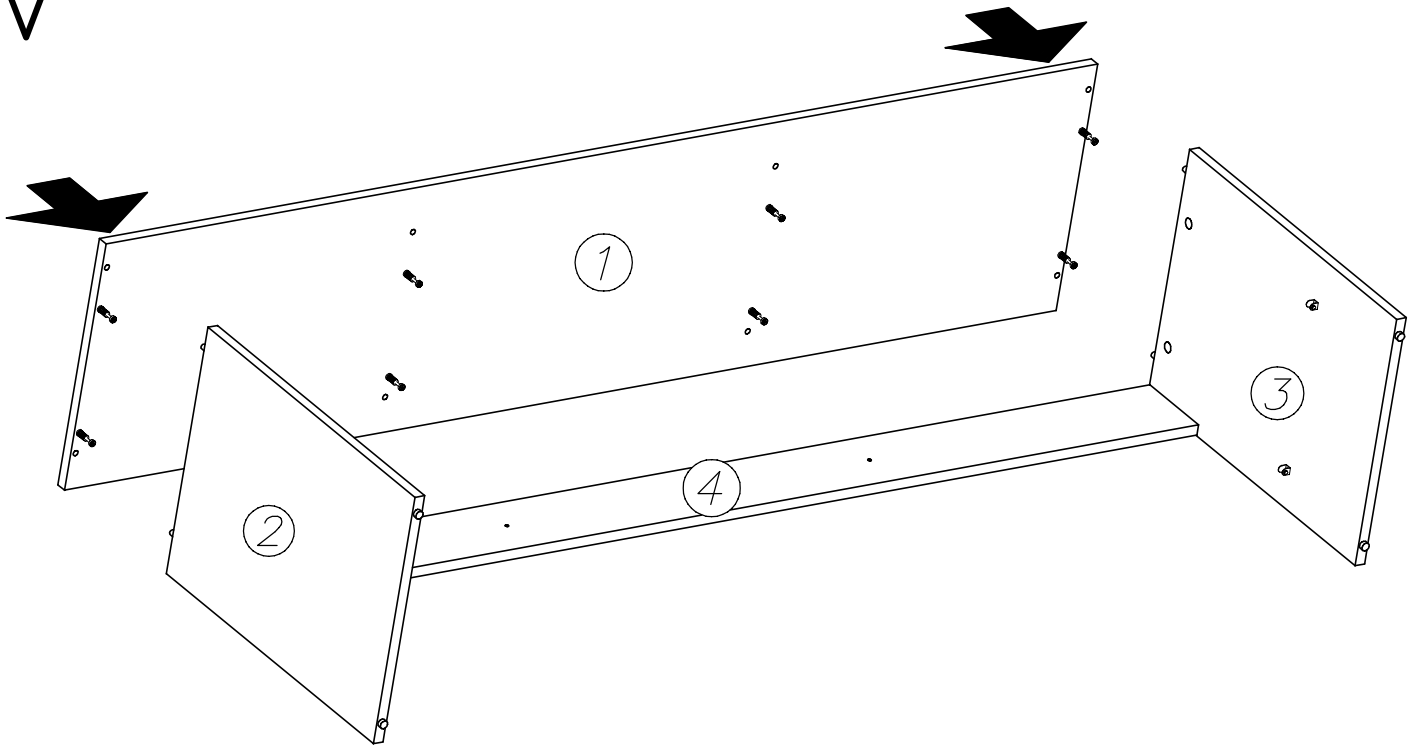


III

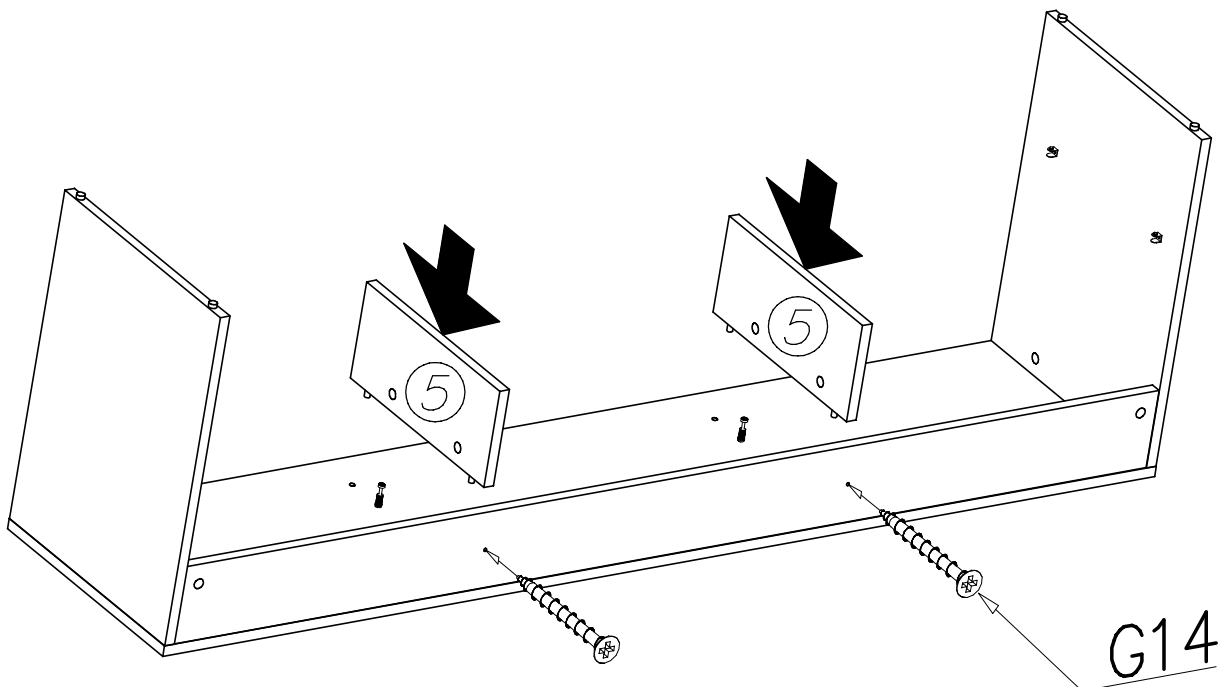


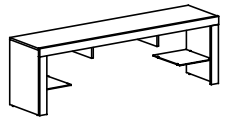


IV

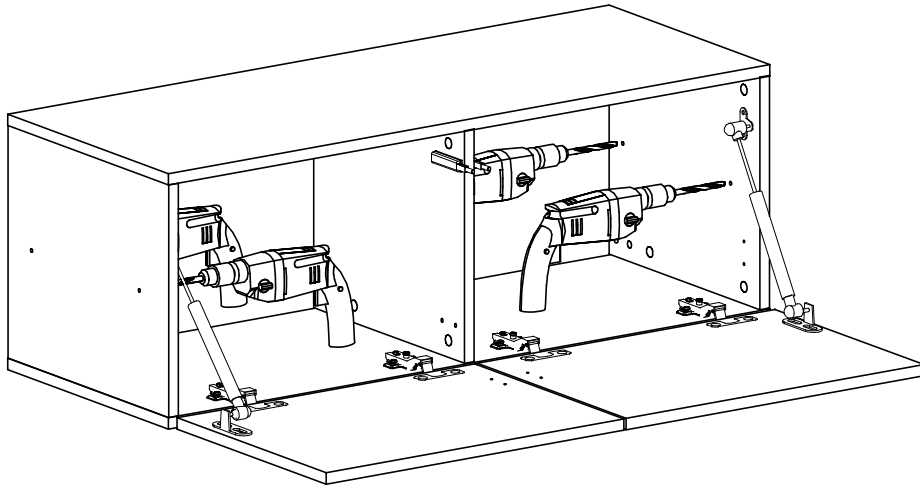
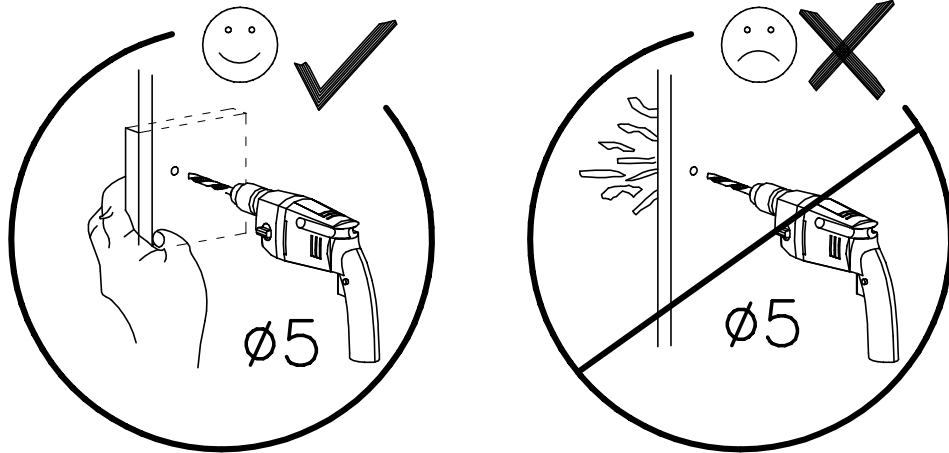


V

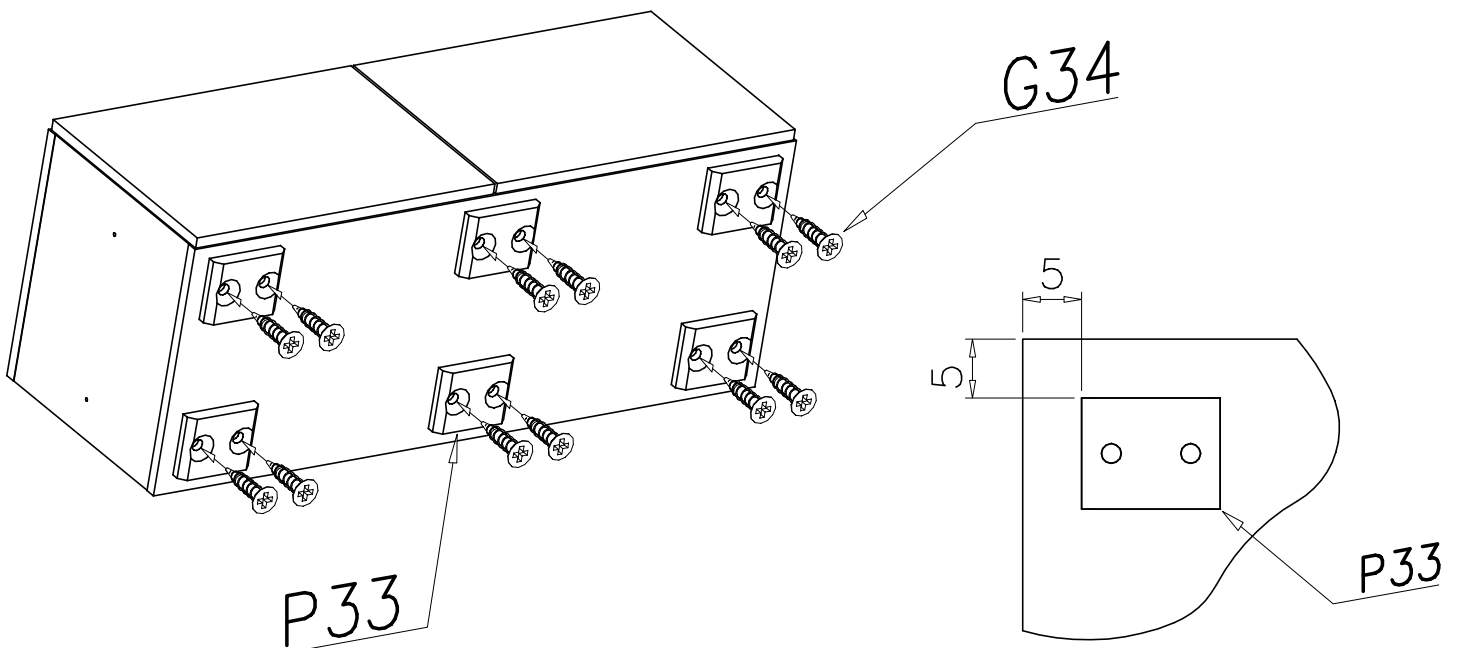


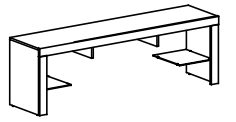


VI

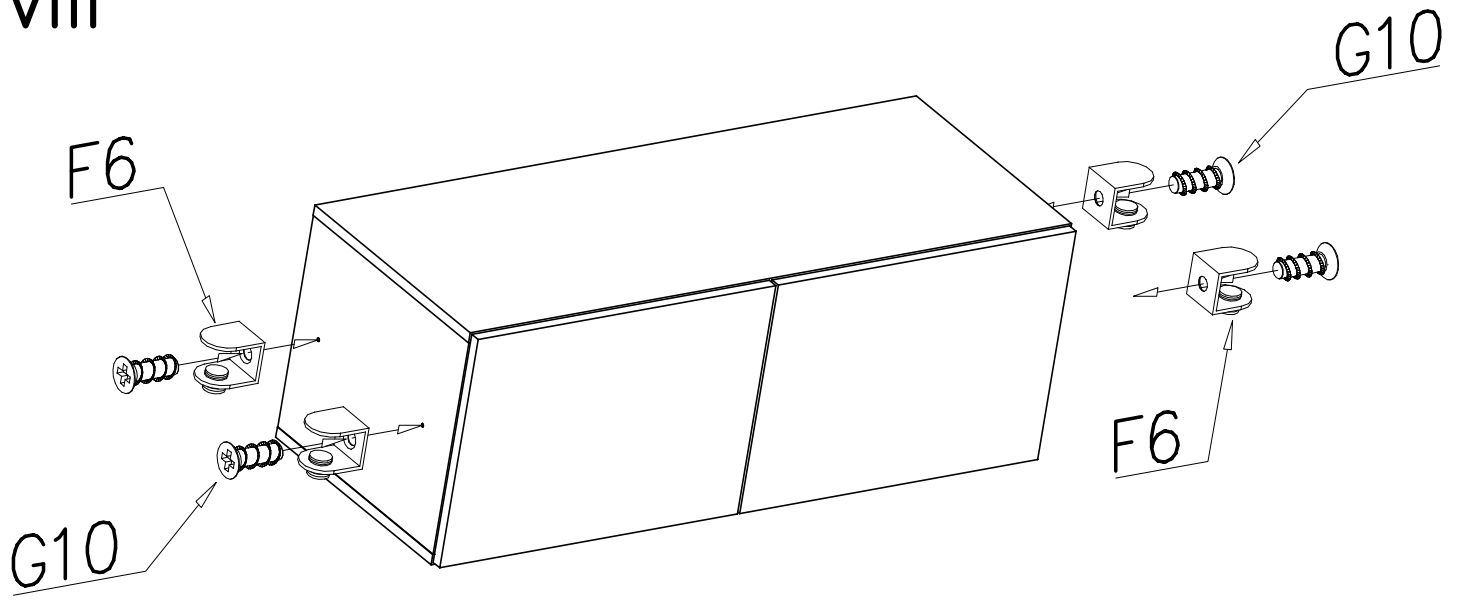


VII

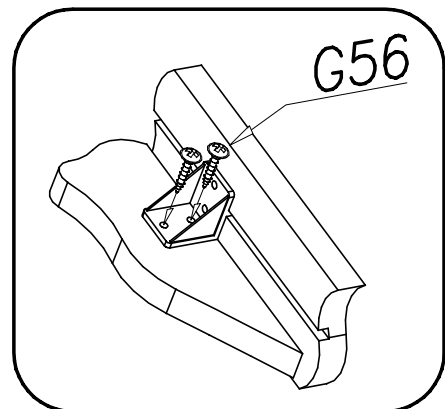
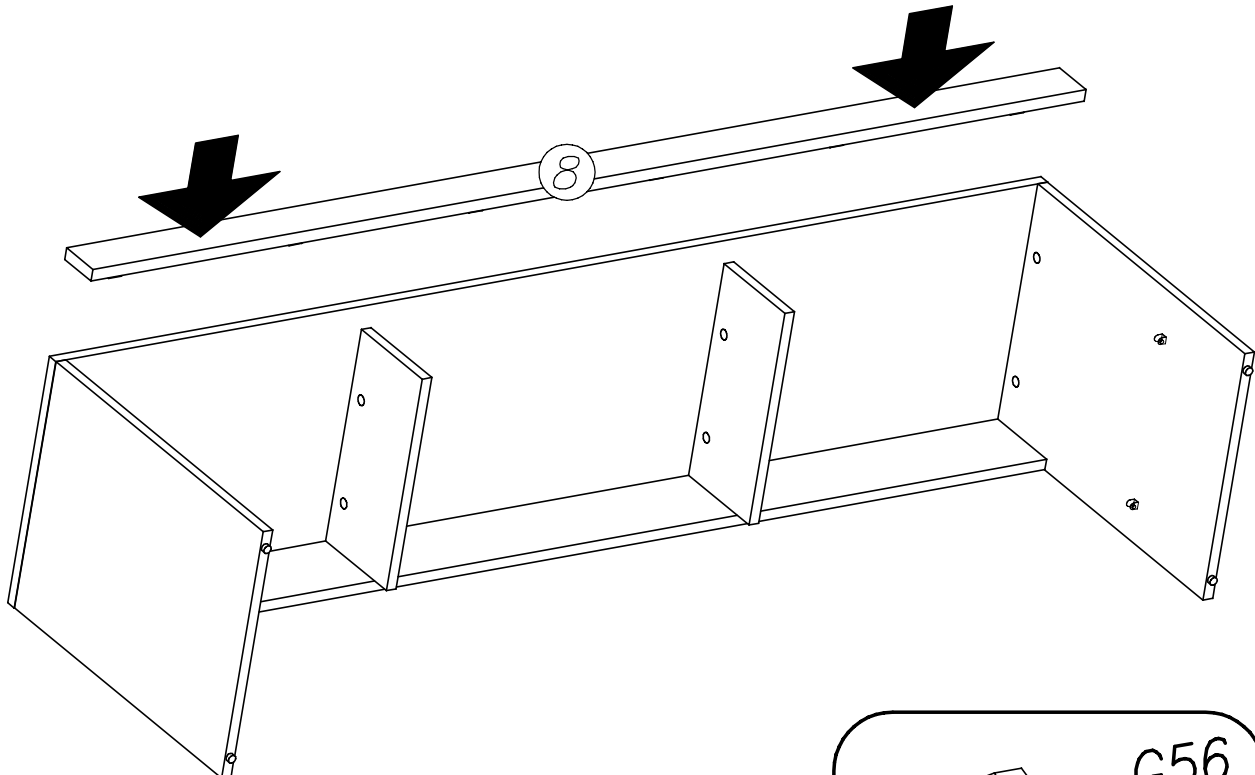


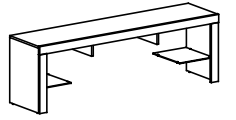


VIII

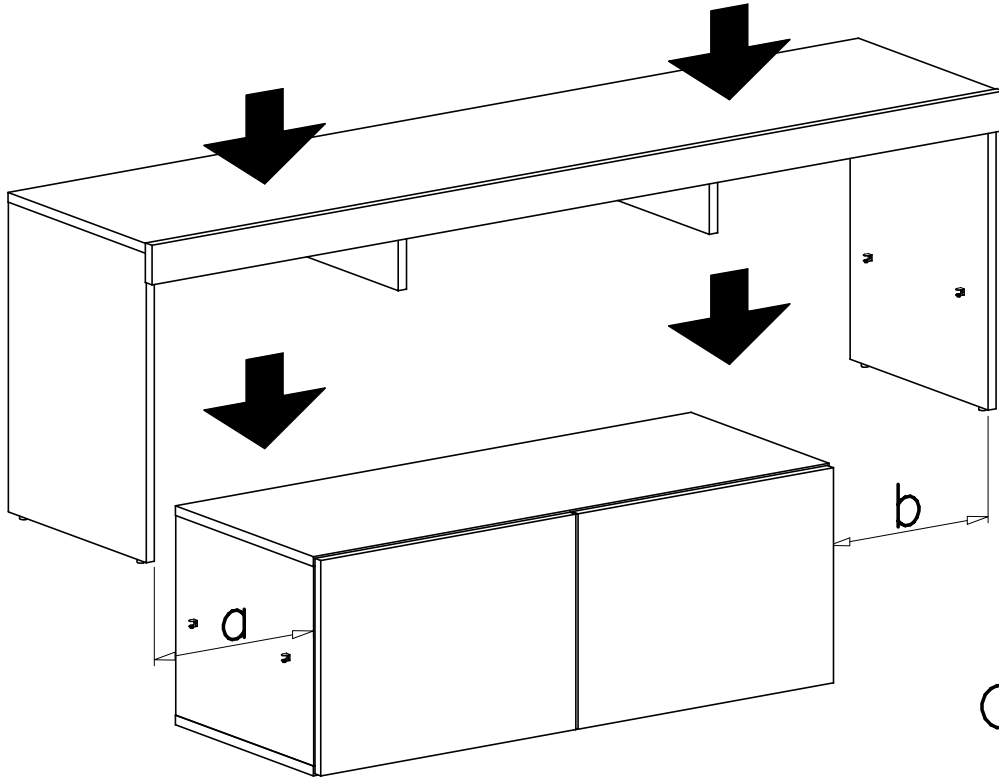


IX



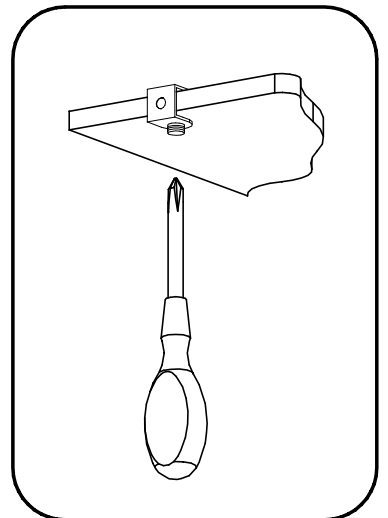
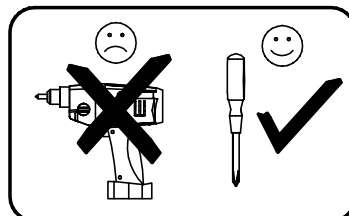
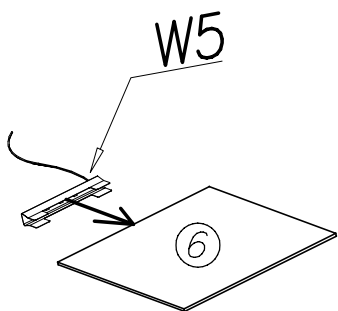
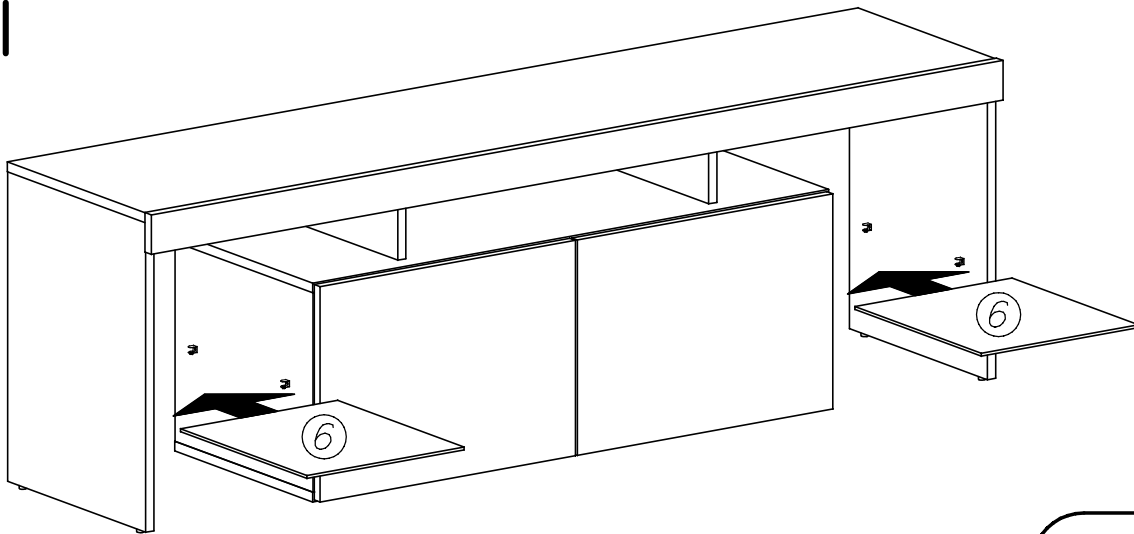


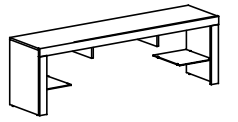
X



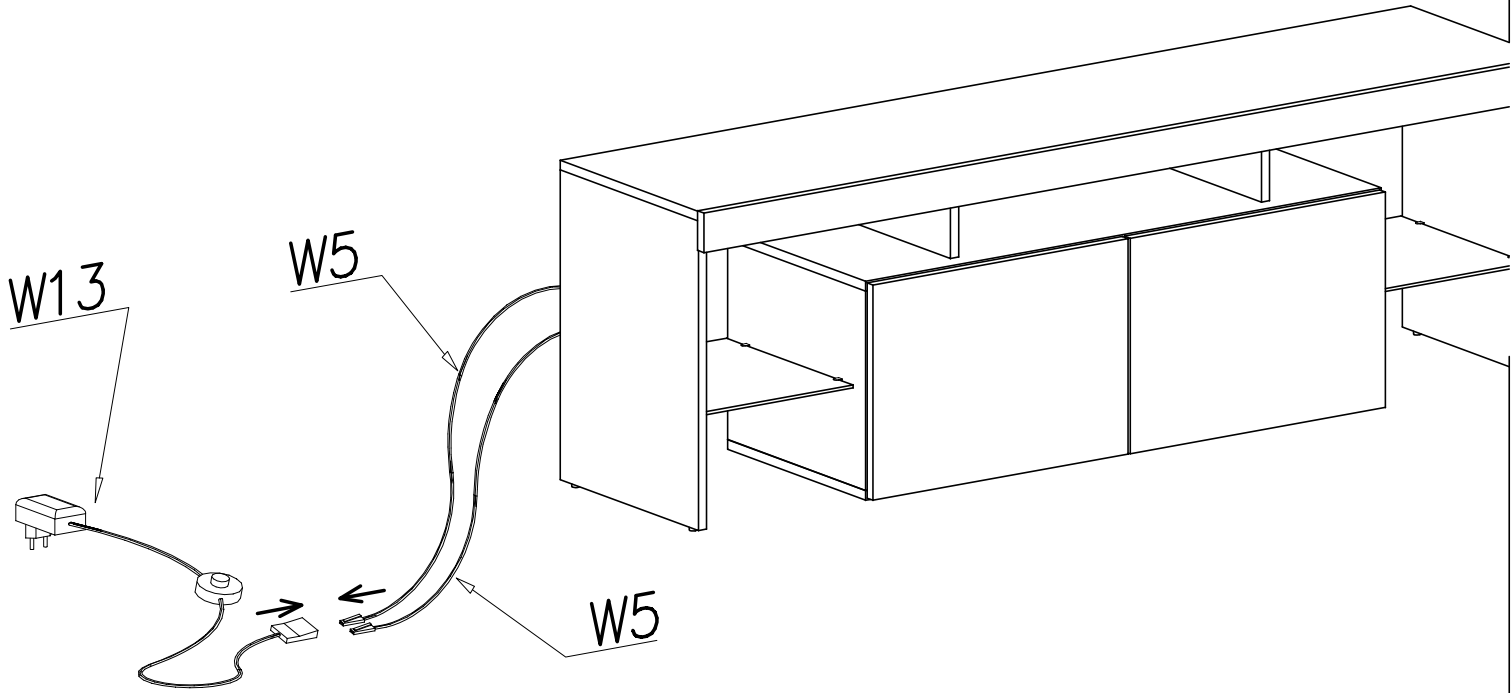
$a=b$

XI





XII



XIII

