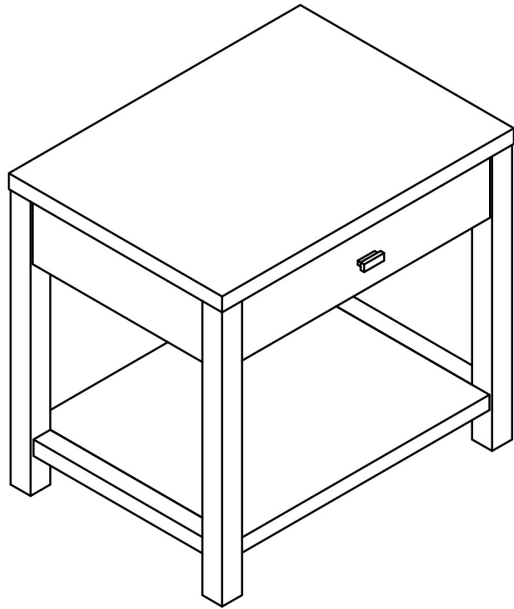
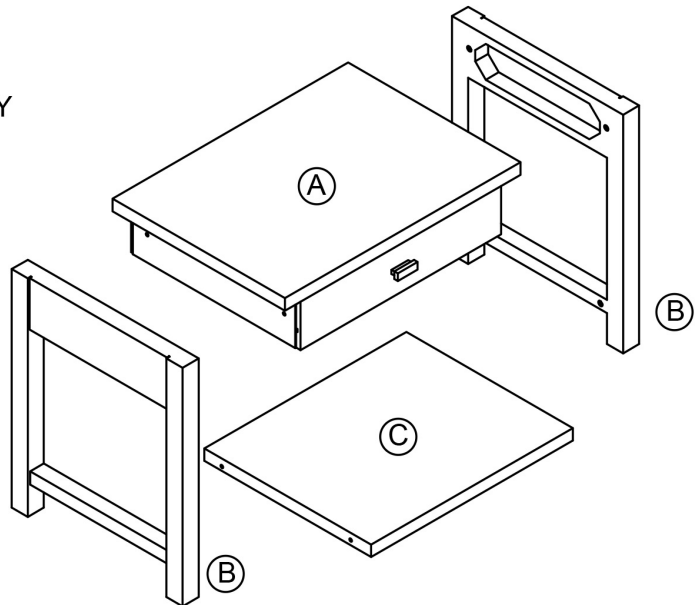


# Assembly Instructions



ITEM	DESCRIPTION	QUANTITY
A	Top	1
B	Legs	2
C	Shelf	1



## hardware



H1 x 8  
bolts M6 x 35mm



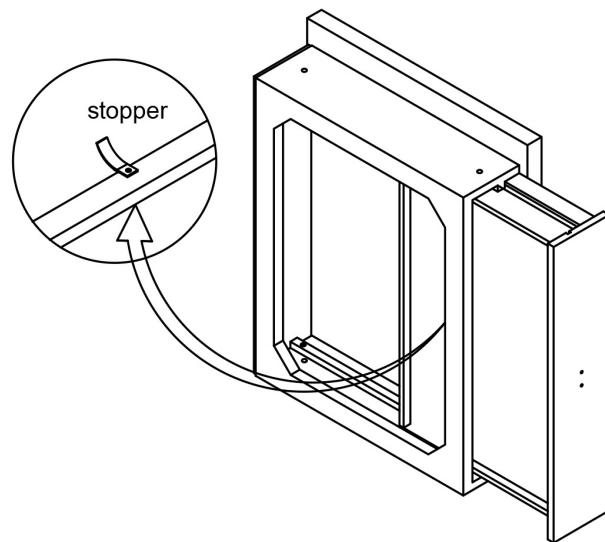
H2 x 8  
flat washers



H3 x 1  
hex key #4

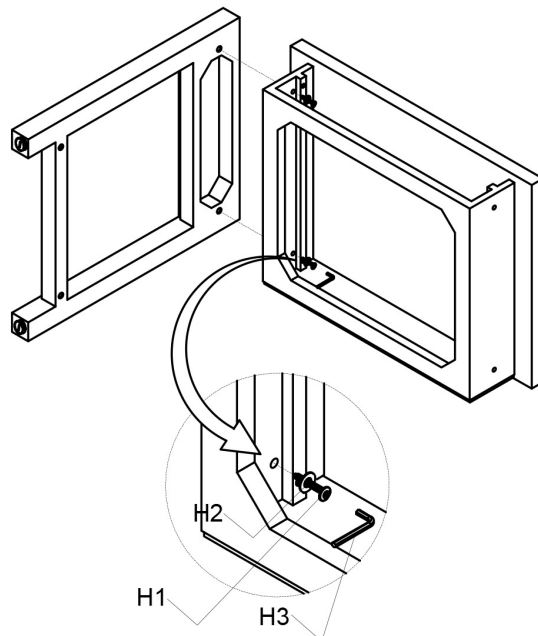
# Step 1

1. Pull down the stopper under the drawer. Then pull out the drawer.



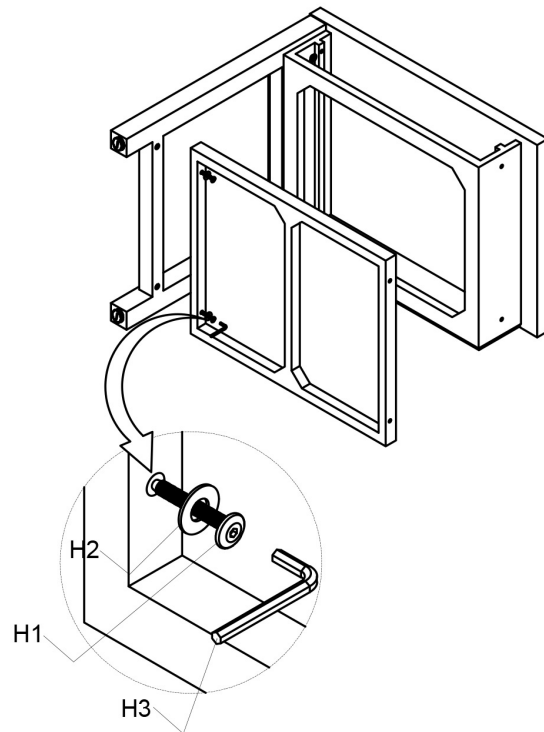
# Step 2

1. Attach the left leg to the drawer box by lining up the pre-drilled holes on the left leg with the pre-drilled holes on the left side of the drawer box. Then insert two bolts (H1) along with two flat washers (H2) into the pre-drilled holes from the inside of the drawer box, and tighten using the hex key (H3).



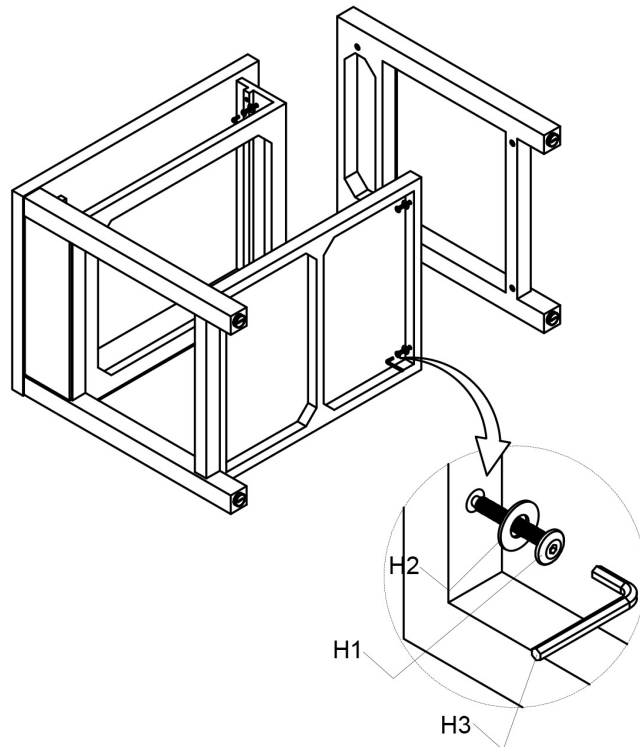
## Step 3

1. Attach the shelf to the left leg by lining up the pre-drilled holes on the left leg with the pre-drilled holes on the left side of the shelf. Then insert two bolts (H1) along with two flat washers (H2) into the pre-drilled holes from the inside of the shelf, and tighten using the hex key (H3).



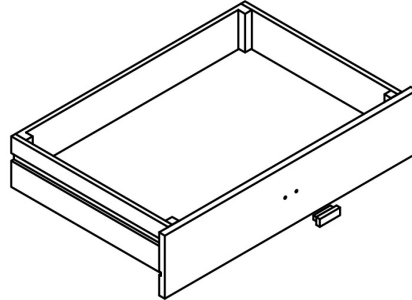
## Step 4

1. Attach the right leg to the shelf and drawer box by lining up the pre-drilled holes on the right leg with the pre-drilled holes on the right side of the drawer box and shelf. Then insert four bolts (H1) along with four flat washers (H2) into the pre-drilled holes from the inside of the shelf, and tighten using the hex key (H3).



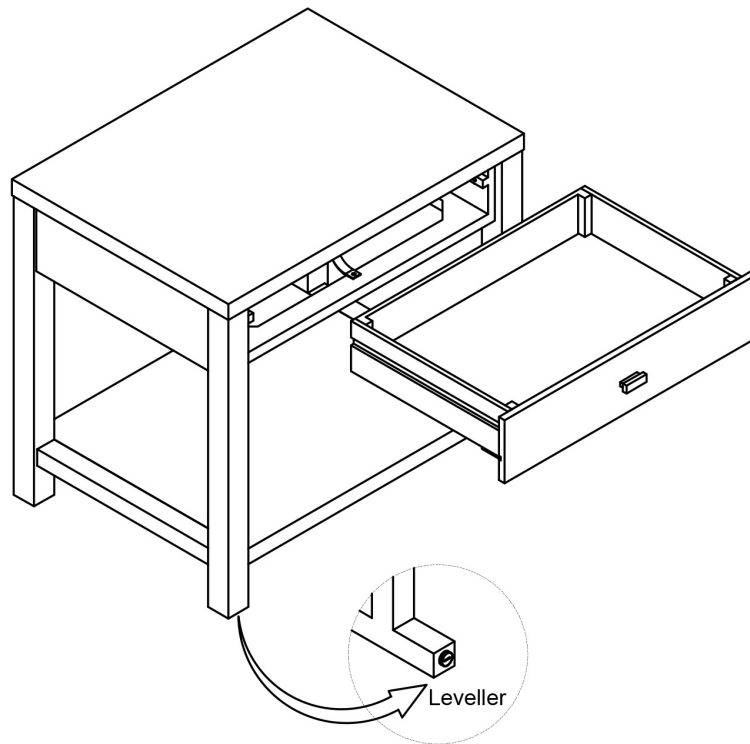
## Step 5

1. Attach the handle to the front of the drawer.



## Step 6

1. Check for stability, if you encounter any wobble or looseness, please check all bolts to be sure they are secure.
2. Put the drawer back in the box.



Leveller are provided at the bottom to the balance on uneven surface