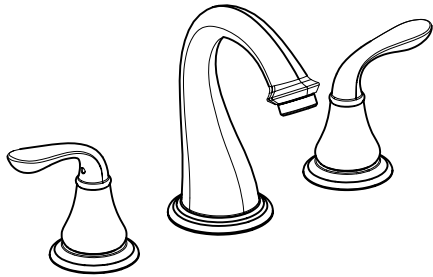


ULTRA FAUCETS

INSTRUCTION



Tools:

- Adjustable Wrench
- Pliers
- Pipe Wrench
- Screwdriver
- Teflon Tape



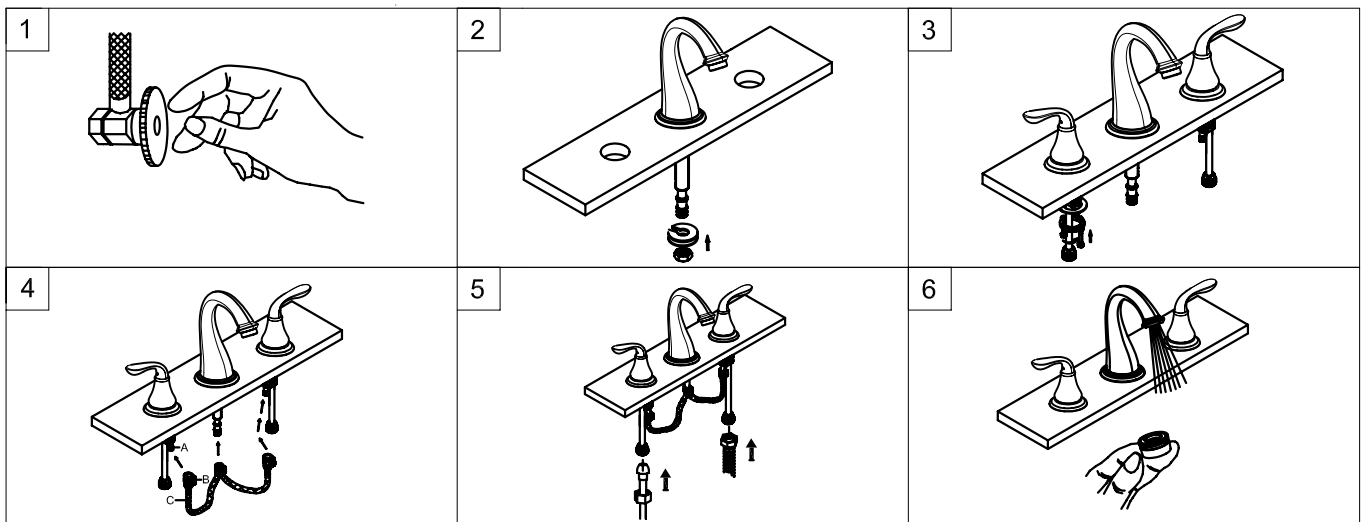
Maintenance:

Your new Lavatory faucet is designed for years of trouble-free performance.

Keep it looking new by cleaning it periodically with a soft cloth. Avoid abrasive cleaners, steel wool and harsh chemicals as these will dull the finish and void your warranty.

**Widespread Two Handle Lavatory Faucet
With Push Up Pop-up
Model#: UF5561X**

Preparation / Assembly



1. Shut off water supplies. Remove old faucet. Clean sink surface in preparation for new faucet.

2. Place the spout into center hole of the sink. From under sink, secure firmly to sink with rubber washer, metal washer and nut.

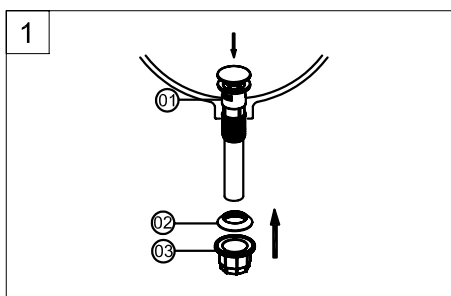
3. Insert the body with the hot supply label is on the left (hot) side. Hold the body in the proper position. Assemble metal washer and mounting nut onto body underside of sink, tighten it with the locking screw.

4. Press on the tabs (B) and push quick connects (C) firmly upward and snap onto shank (A) (you can hear a click sound). Pull down moderately to ensure each connection has been made. If it is necessary to remove the hose, press on the tabs (B) and pull quick connects (C) down.

5. Connect 1/2 in. IPS faucet connector or coupling nuts (not included) with 3/8 in. O.D. ball-nose riser (not included) to water supplies using wrenches (not included). Note: Refer to local plumbing codes for permissible types of water supply connectors.

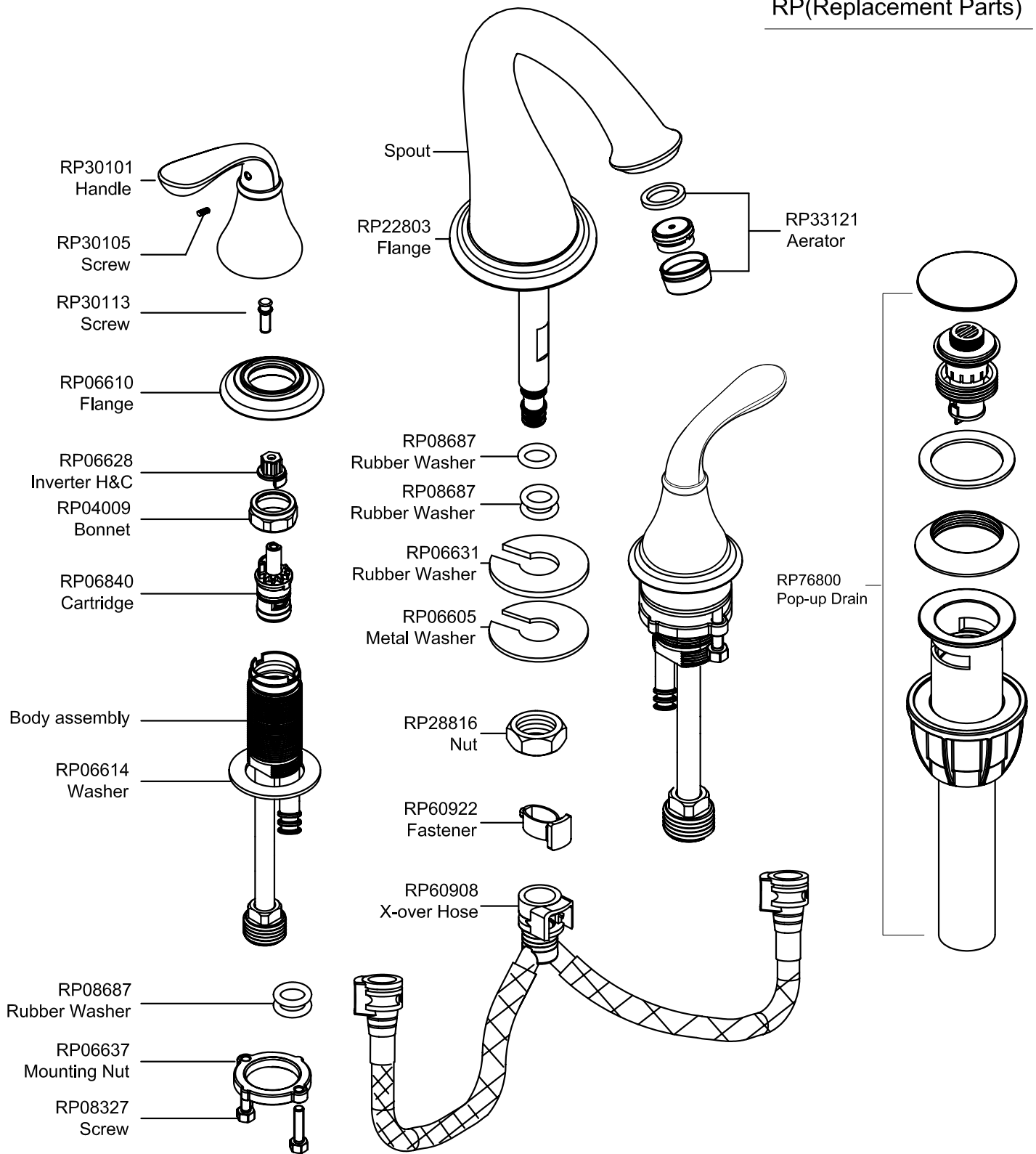
6. Remove AERATOR and turn faucet handles all the way on. Turn on hot and cold water supplies and flush water lines for one minute. Check all connections for leaks. Reinstall AERATOR. Your new faucet is now ready to use.

Pop up Drain Installation



1. Slide Pop-up assembly and rubber washer (01) down through drain hole on the vessel or basin. From underside, slide rubber gasket (02) against the bottom of the vessel or basin. Thread on nut (03) and tighten to gasket. Do not over tighten.

Exploded Drawing
RP(Replacement Parts)



Limited Lifetime Warranty

Ultra Faucets warrants to the original purchaser that its products will be free from defects in workmanship and materials. All Ultra Faucets are provided with a life time limited warranty. This warranty does not cover any other labor or service charges associated with the removal, repair, or reinstallation of Ultra Faucets products. This express warranty does not apply to products that have been damaged as a result of misuse, abuse, negligence, accident, faulty installation or maintenance practices and/or used in any manner contrary to those recommended by the manufacturer.