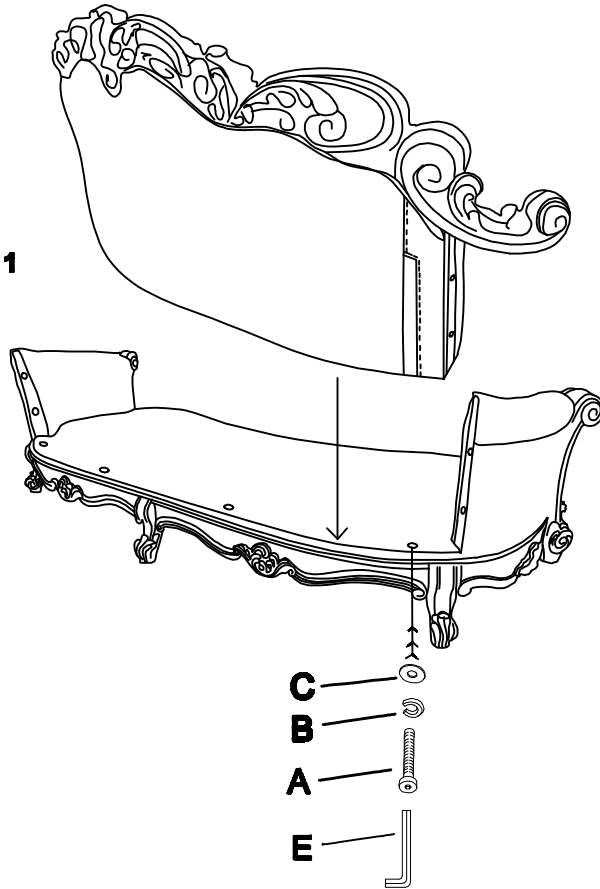
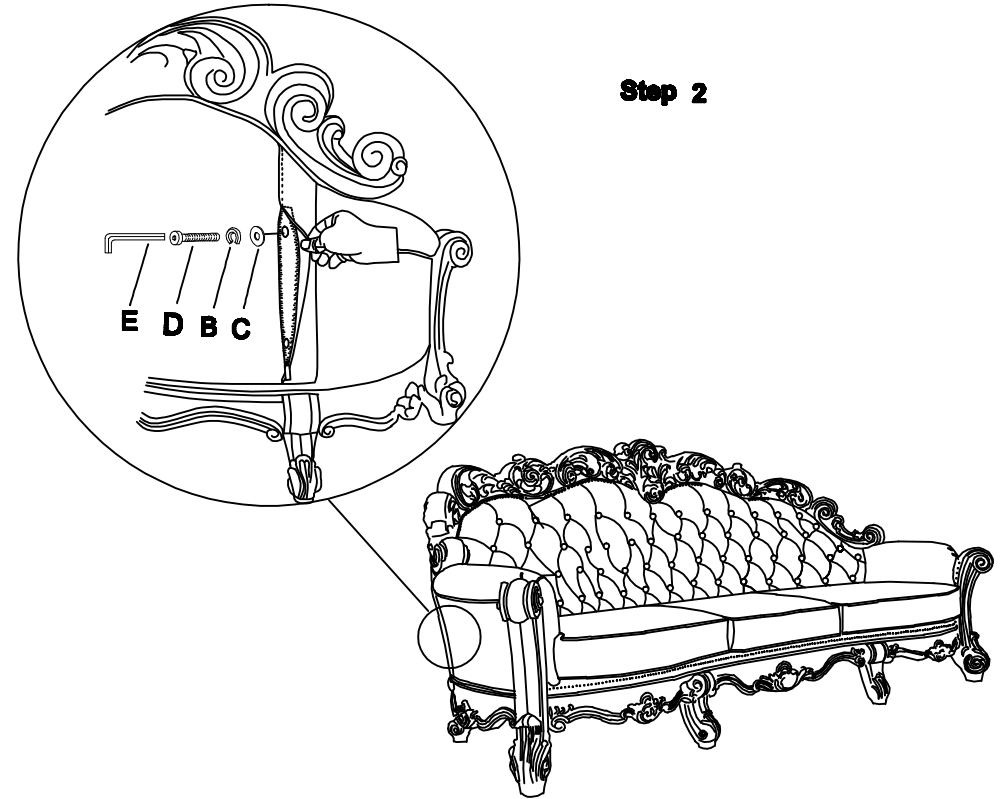


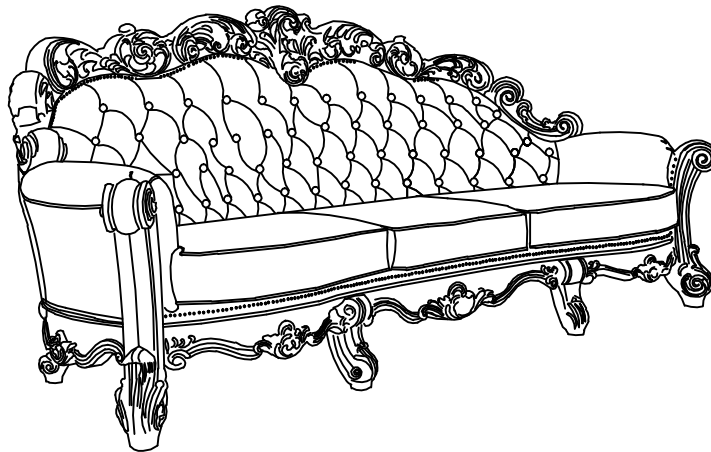
Step 1








Step 2



Step 3



Hardware List

No.:	Description	Drawing	Size	Q' ty
A	Middle Bolt		ø5/16" X3"	4
B	Lock Washer		ø5/16" X12mm	8
C	Flat Washer		ø5/16" X25mm	8
D	Long Bolt		ø5/16" X2-1/2"	4
E	Allen Wrench		5mm	1