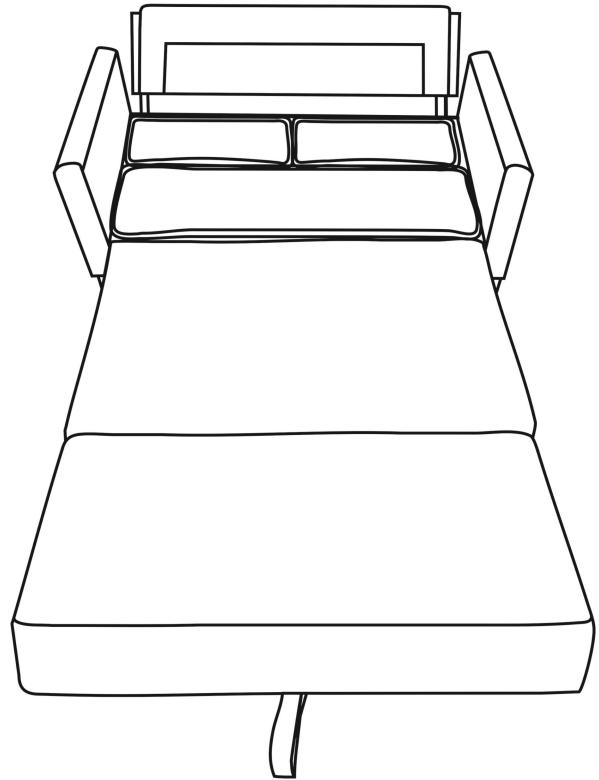
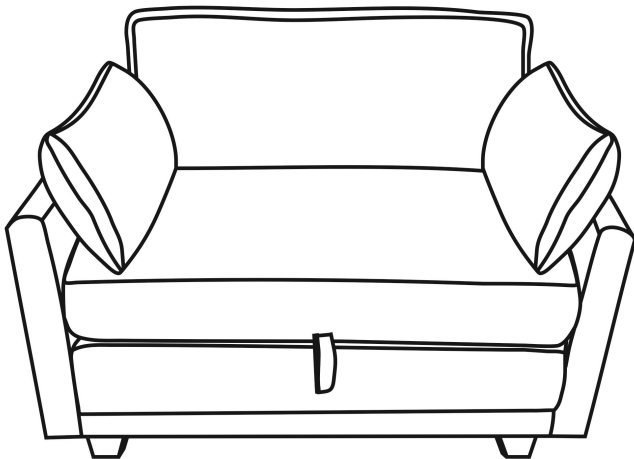


ASSEMBLY INSTRUCTION







Return & Warranty policy:

- We strive to offer the highest quality products, and we also try our best to satisfy each and every customer that orders from us with replacement parts or service as needed.
- If the item is damaged or defective, please take photos as evidence for replacements and refunds.
- Please do not return to store, contact the seller if you have any troubles with this product.

ASSEMBLY INSTRUCTION

HARDWARE

NO	DESCRIPTION	SKETCH	QTY
1	Washer		12
2	Gasket		4
3	Screws6X45		12
4	Wrench		12

PARTS LIST



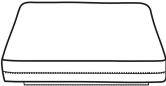
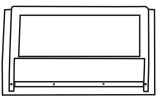
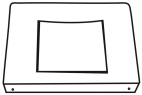

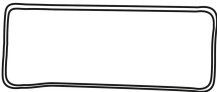

NO	DESCRIPTION	SKETCH	QTY
A	Seat frame		1
B1	Seat cushion (up)		1
B2	Seat cushion		1
C	Back frame		1
D	Armrest		2
E	Armrest bag		2
F	Back cushion		1
G	Legs		4

DIAGRAM 1 (Assemble the Armrest)

Assemble the Left and Right Armrests(Part D) to the Seat Frame(Part A) with Washers(Hardware 1) and Screws(Hardware 3).

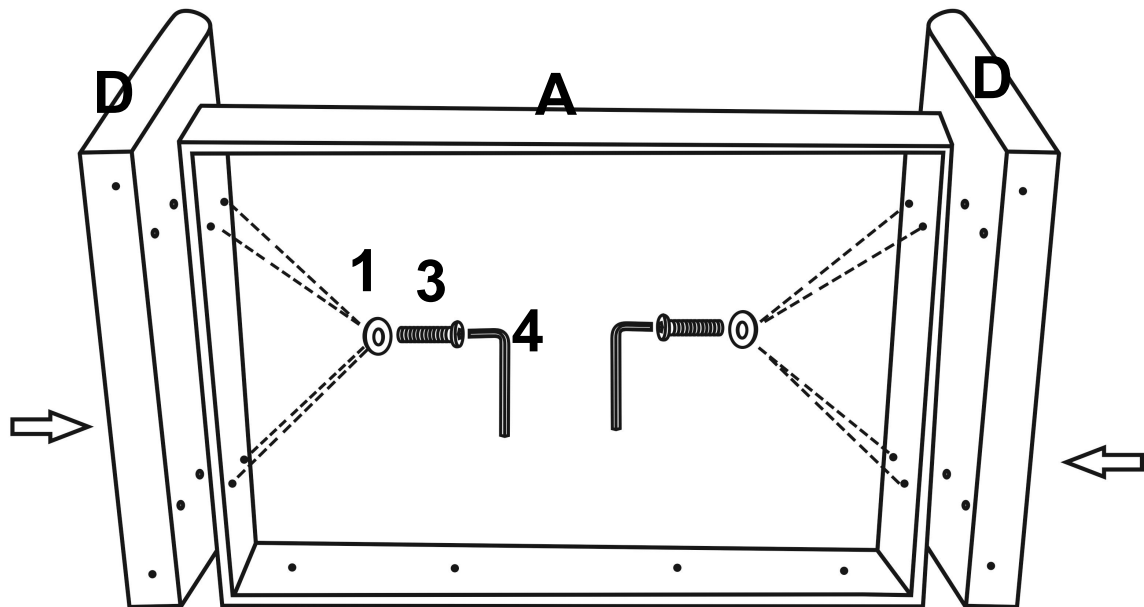


DIAGRAM 2 (Assemble the Legs)

Assemble the Legs(Part G) on the sofa with Gaskets(Hardware 2).

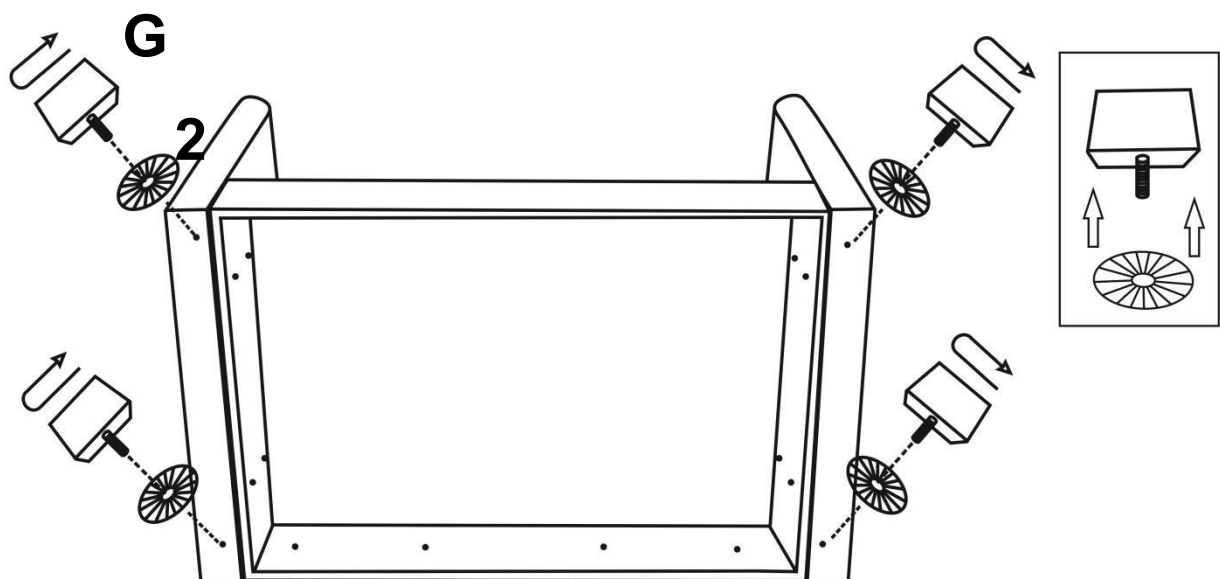


DIAGRAM 3 (Assemble the Back Frame)

Align the holes on the Back Frame(Part C) with the holes on the seat frame,then use Washers (Hardware 1)and Screws(Hardware 3) to 70% tightness, and then tighten the all Screws on the seat.

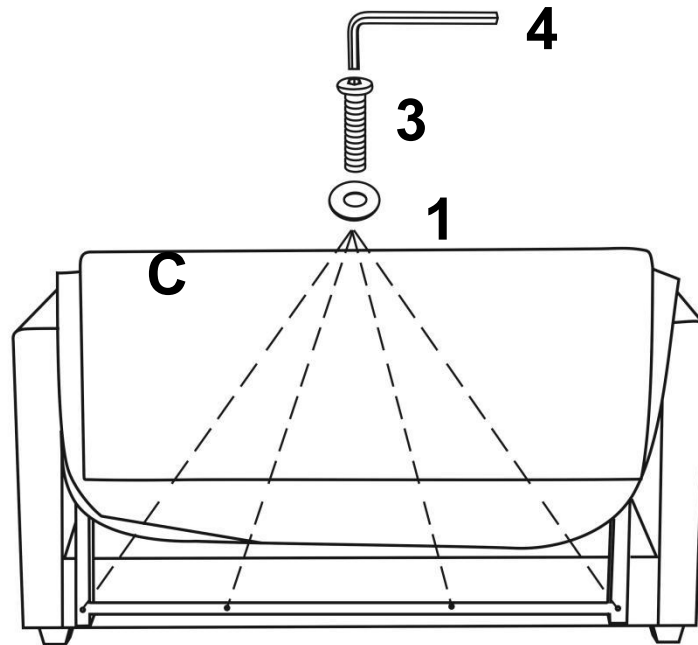


DIAGRAM 4 (Assemble the Seat Cushion)

As shown in the picture, assemble the seat cushions (Part B1 and B2) and then fold it upwards.

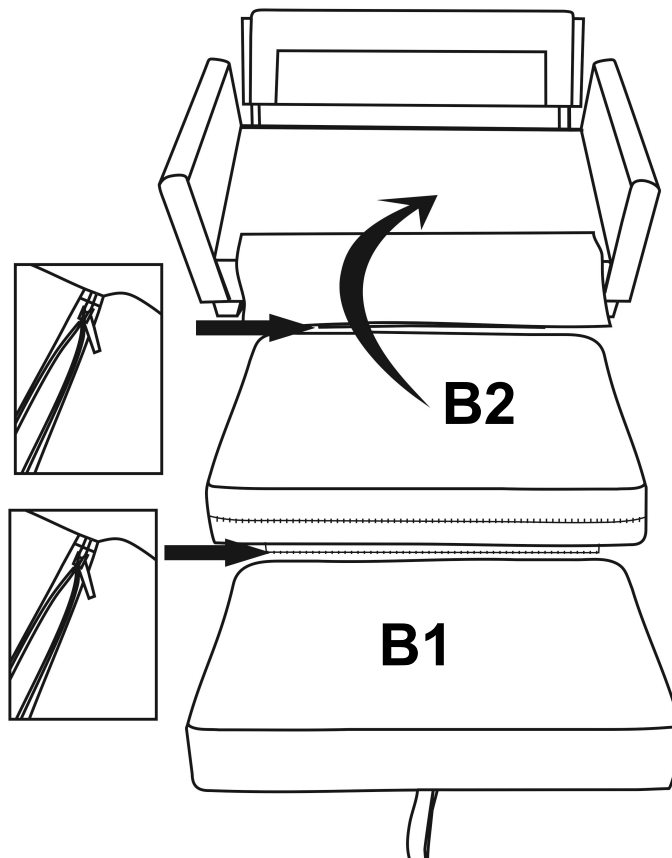
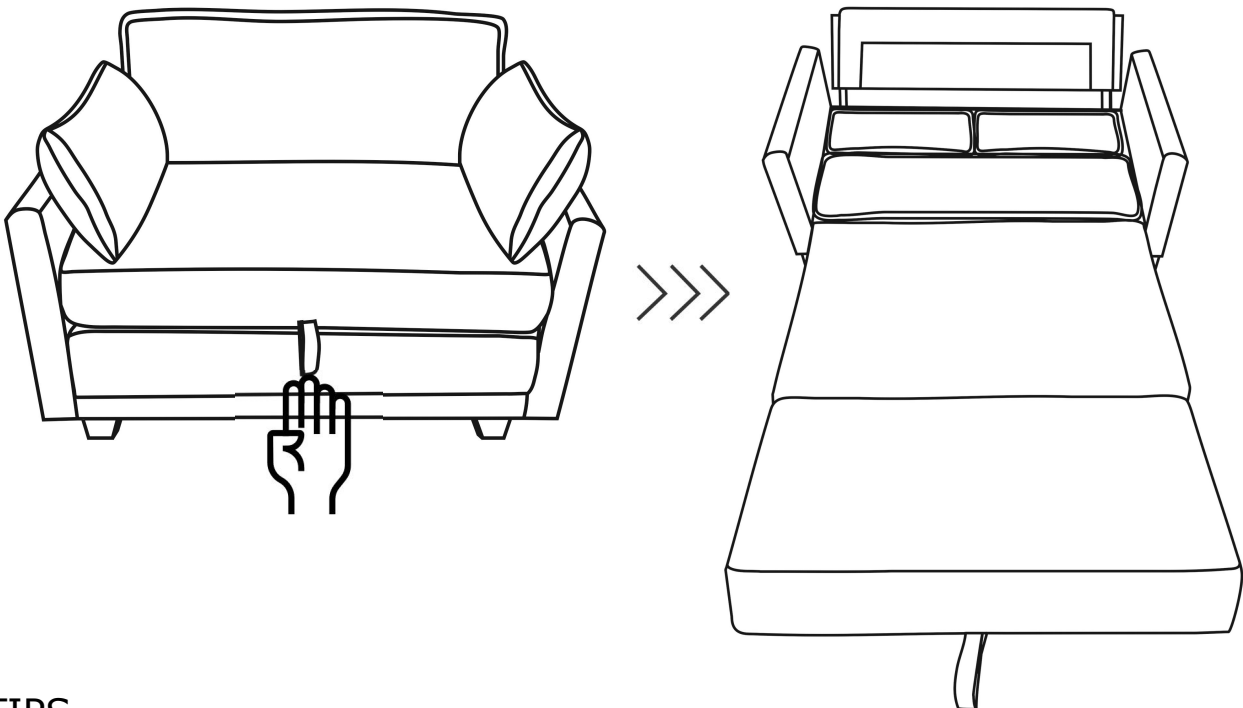
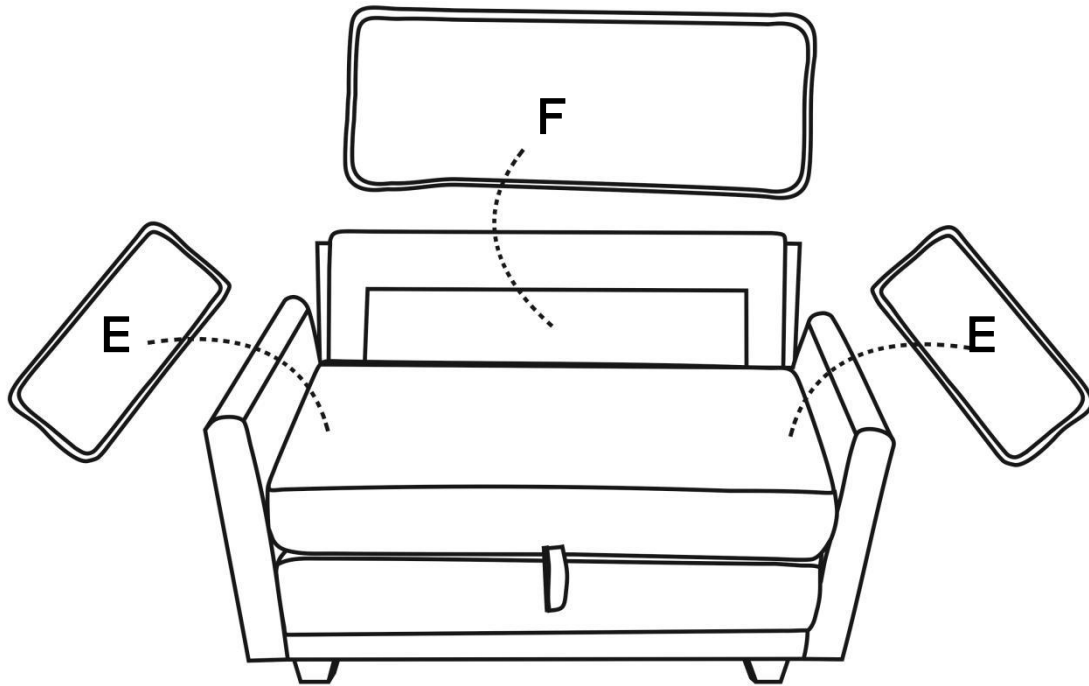


DIAGRAM 5 (Assemble the Armrest bags and Back Cushion)

Placing the Back Cushions (Part F) and Armrest Bags (Part E) as shown in the figure.



TIPS:

1. Compress back cushions and pillows need to be fully fulfilled within 72 hours for your perfect use.
2. Please keep children away from plastic bags or any small pieces of stuff.