

# ASSEMBLY INSTRUCTIONS





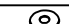


Read this instruction carefully. See hardware and furniture part list for guidance. Be sure all parts are complete, before you assemble. Place all wooden furniture parts on a clean and flat soft surface to prevent from being scratched. Follow the figure to start assembling.

**CAUTIONS :** 1. Do not FULLY - TIGHTEN the nut or nut bolt until all nut or bolt is ready assembled.  
2. Do not OVER - TIGHTEN the nut or bolt to avoid causing damages to the thread.  
3. Keep all hardware parts out of reach of children.

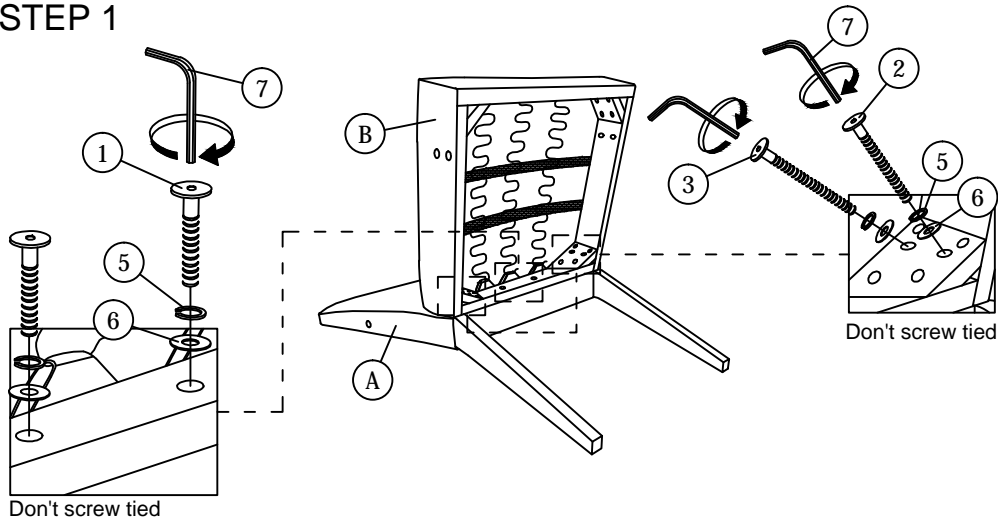
**NOTE :** THE LIST AND QUANTITY SHOWN ARE FOR 1 UNIT ASSEMBLY.

Tool needed : Screwdriver (not provider).

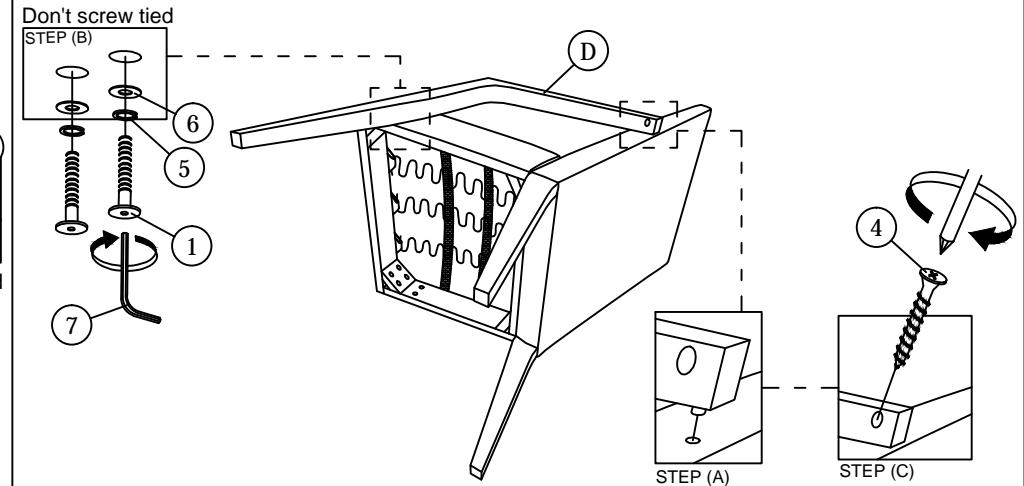
PART LIST		
ITEM	DESCRIPTION	QTY
A	CHAIR BACK	1 PC
B	CUSHION SEAT FRAME	1 PC
C	ARM (L)	1 PC
D	ARM (R)	1 PC

HARDWARE LIST		
ITEM	DESCRIPTION	QTY
1	JCBC Bolt M6 x 40mm 	6pcs
2	JCBC Bolt M6 x 70mm 	2pcs
3	JCBC Bolt M6 x 80mm 	2pcs
4	Wood SCREW M4 x 38mm 	2pcs
5	M6 SPRING WASHER 	10pcs
6	M6 FLAT WASHER 	10pcs
7	M4 ALLEN KEY (BALL SHAPE) 	1pc

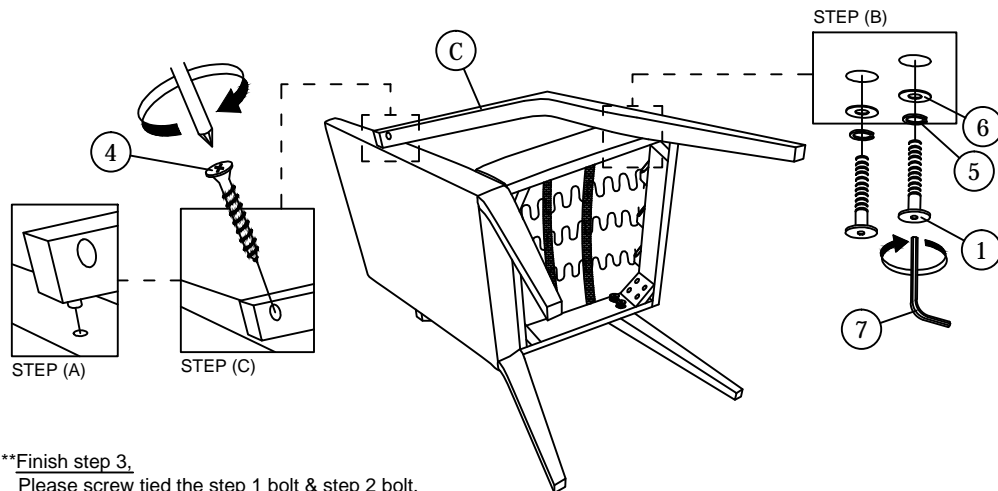
## STEP 1



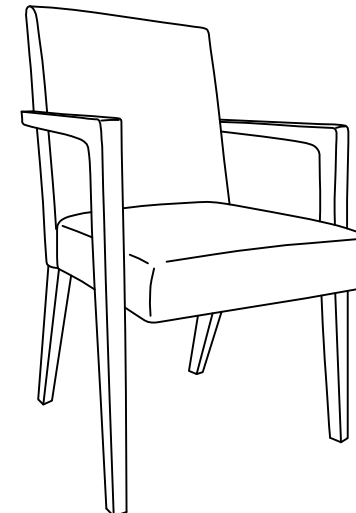
## STEP 2



## STEP 3



## STEP 4



**\*\*Finish step 3.**  
Please screw tied the step 1 bolt & step 2 bolt.