

INFINITA

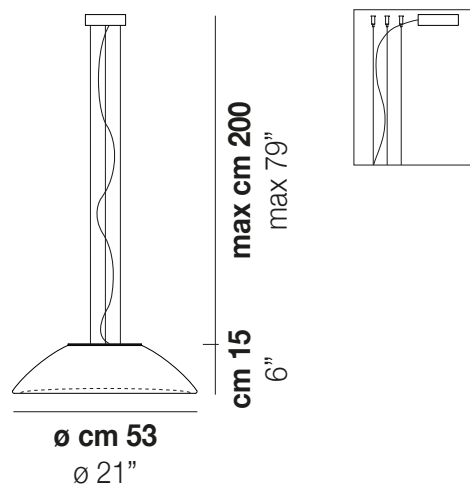
Design Renato Toso, Noti Massari & Associati

INFINITA SP 53



Available as pendant or ceiling lamp. A response to a growing demand for large lamps with multiple sockets. Its main advantage is a considerable lighting surface with a minimum metal body.

INFINITA SP 53



TECHNICAL DATA:



CERTIFICATIONS:



VOLUME	Mc 0,13
GROSS WEIGHT	Kg 9
NET WEIGHT	Kg 7

download



SHADE FINISHING



BCST

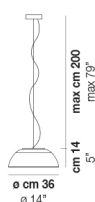
FRAME FINISHING



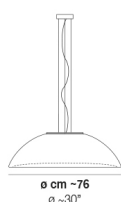
BC

OTHER VERSION AVAILABLE

Click on the version to go to the web version of the product



INFIN SP 36



INFIN SP 80

