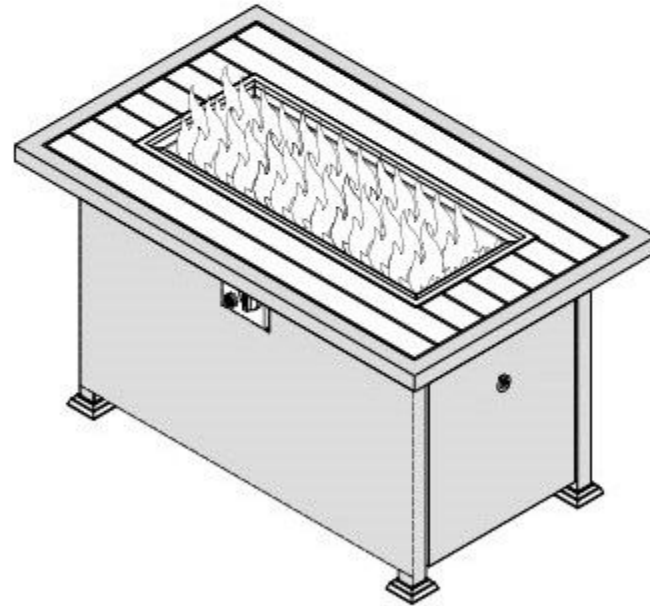


# **FIRE PIT TABLE**

## **ASSEMBLY INSTRUCTIONS**



# ATTENTION

**Thanks for choosing our product.**

- 1. Please check the manual carefully and make sure you have received all the parts.**
- 2. If there is any missing parts, please let us know the letter of the parts you need.**
- 3. If there is any damage parts, please send clear photos to us, we will check and offer you best solution soon.**
- 4. There will be 2 boxes in total for this whole product. If you buy a style with Glass Wind Guard, then you will receive 3 boxes.**

**Sometimes these boxes will not arrive in same date, hope you can wait for 2-3 more days or contact us for more help.**

## WARRANTY

So glad you have completed the assembly and can enjoy it. If you are satisfied with our products, thank you for showing your favored fire pit table to your around.

Our products come with a 12-month warranty, you can feel free to contact us at any time.

# Assembly Instruction

## Step 11



# Assembly Instruction

## Parts List Box A

X



Burner

1 pc

Y



Glass Fire Stone

1 pc

## Parts List Box B

A



Table Top

1 pc

B



Left Side Piece

1 pc

C



Right Side Piece

1 pc

D



Back Side Piece

1 pc

E



Gas Tank Holder

1 pc

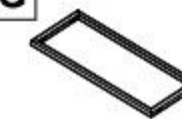
F



Door Panel

1 pc

G



Fixed Frame

1 pc

H



Stove Cover

1 pc

I



Connector

2 pcs

J



Universal Wheel

1 pc

K



Burner Support Frame

1 pc

L














Burner Support Frame

1 pc

## Assembly Instruction

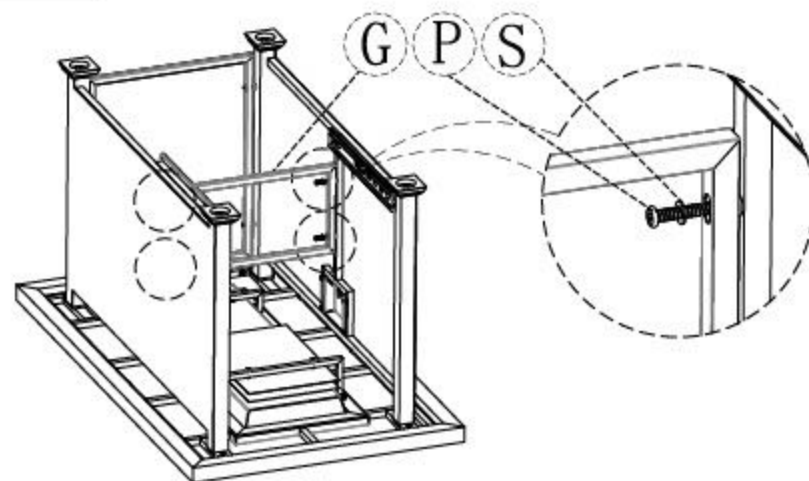
### Parts List Box B

M	N	O	P
			
M6*10mm Bolt(Black)	M6*15mm Bolt(Silver)	M6*25mm Bolt(Silver)	M6*30mm Bolt(Black)
4 pcs	12 pcs	2 pcs	4 pcs
Q	R	S	T
			
M6*35mm Bolt(Black)	M6*65mm Bolt(Silver)	M6 Steel Washer	M6 Bolt cap
6 pcs	2 pcs	26 pcs	4 pcs
U	V	W	
			
M8*55 Bolt	M6 Allen Key	M8 Wrench	
1 pc	1 pc	1 pc	

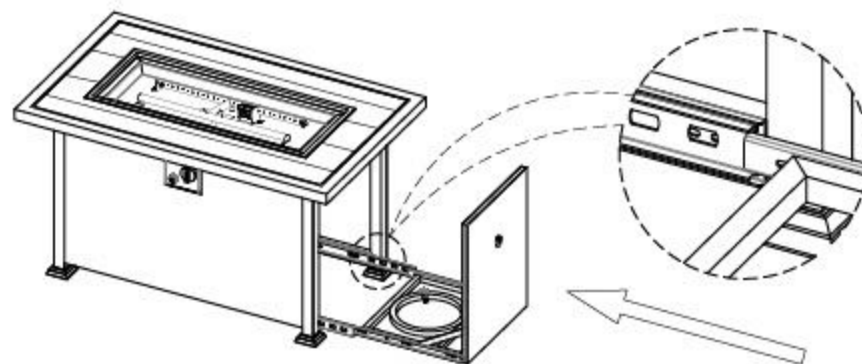
You will receive totally 2 boxes, please make sure you get 1x A\_box and 1x B\_box before assembly.  
 If you buy a style with Glass Wind Guard, then you will receive 3 boxes. 1x A\_box, 1x B\_box and a box with a separate Glass Wind Guard before assembly.  
 Just feel free to chat us if you have any problems, we will try our best to help you solve the issue.

## Assembly Instruction

### Step 9

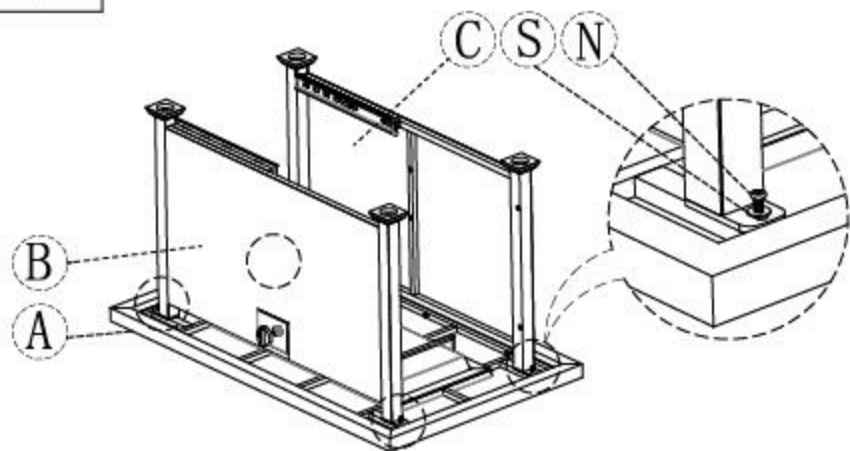


### Step 10

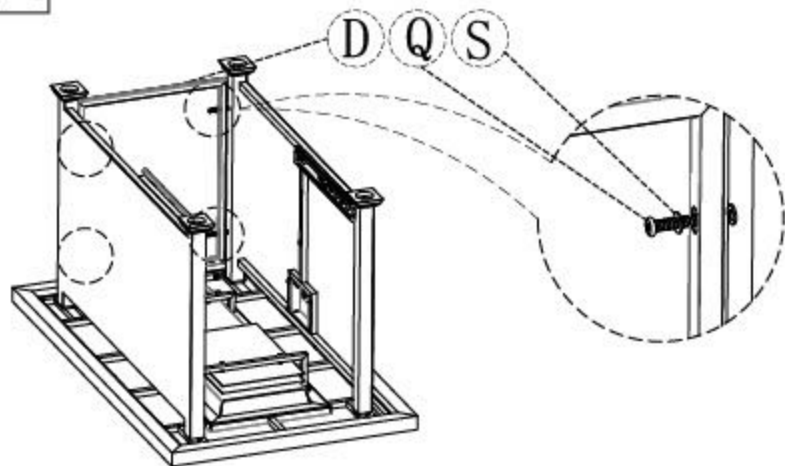


## Assembly Instruction

### Step 7



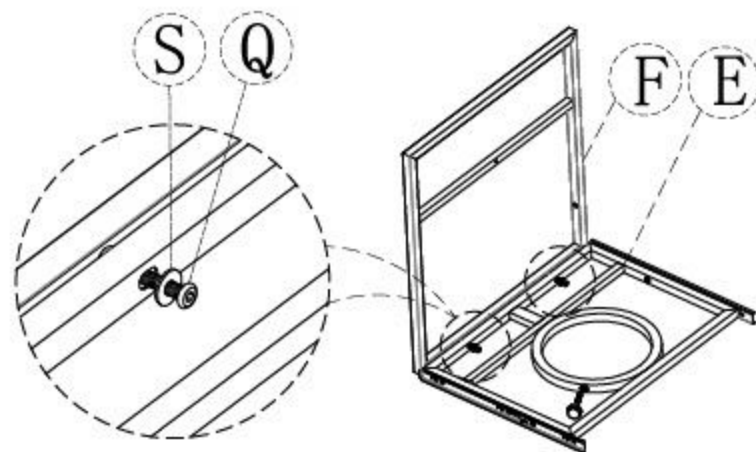
### Step 8



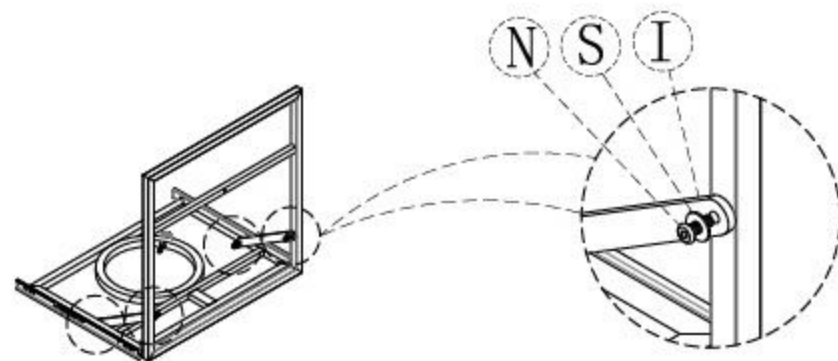
6

## Assembly Instruction

### Step 1



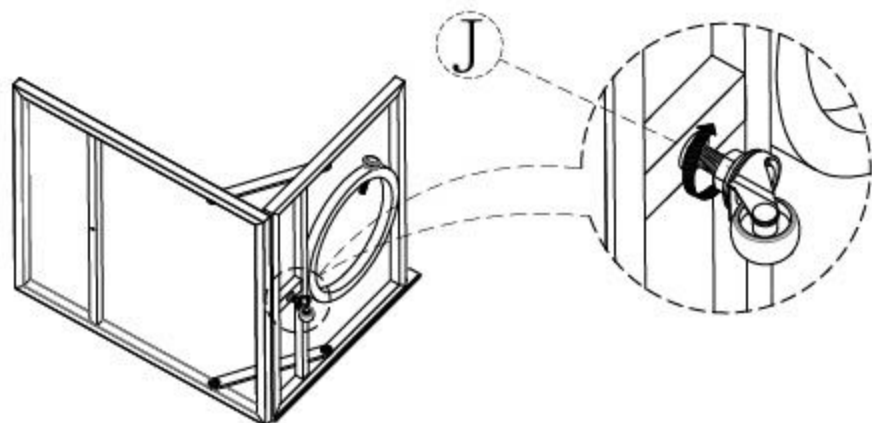
### Step 2



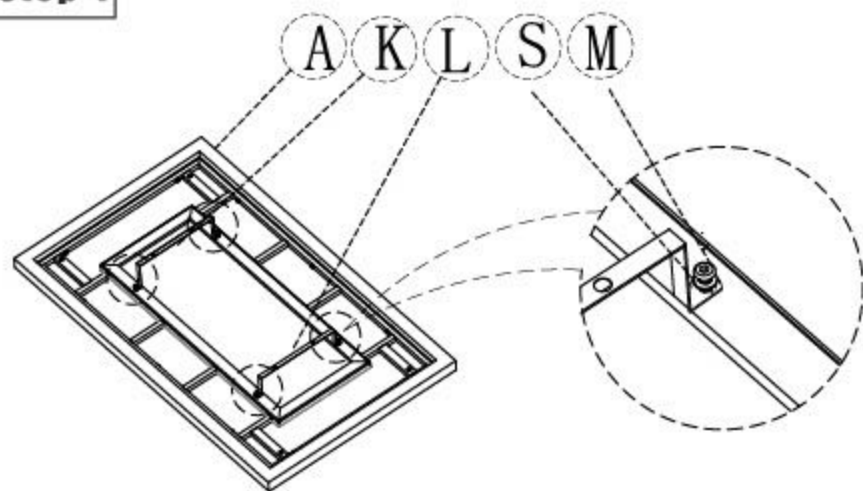
3

## Assembly Instruction

### Step 3



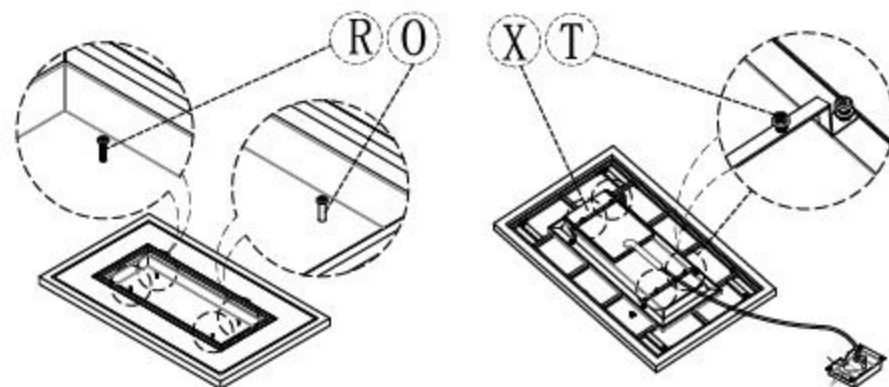
### Step 4



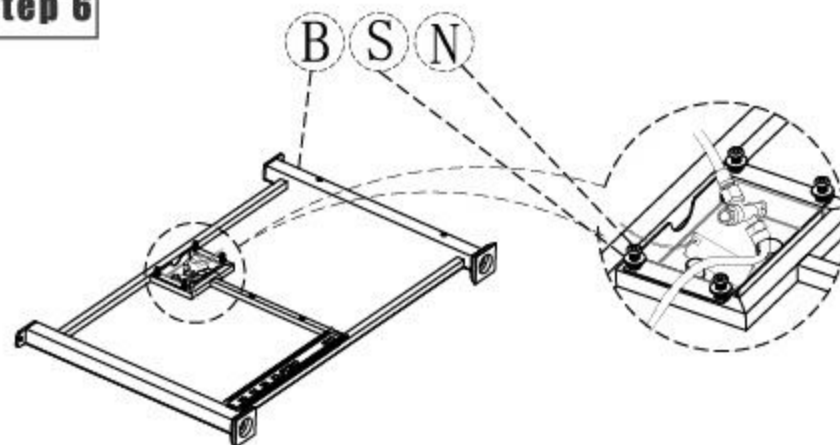
4

## Assembly Instruction

### Step 5



### Step 6



**Note:** that the installation direction of the panel is the fire power adjustment knob facing upwards.

5