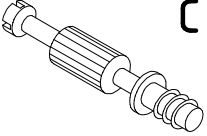
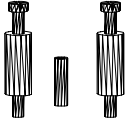
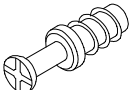
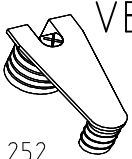
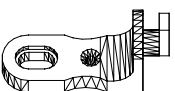
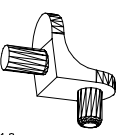
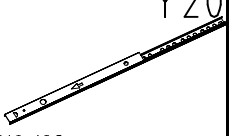
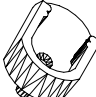

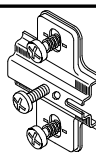
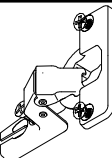
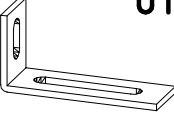
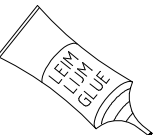
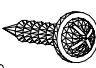
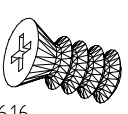
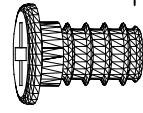
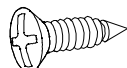
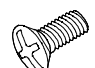
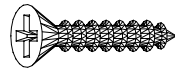
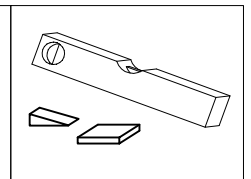
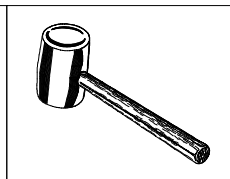
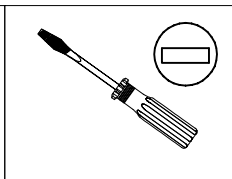
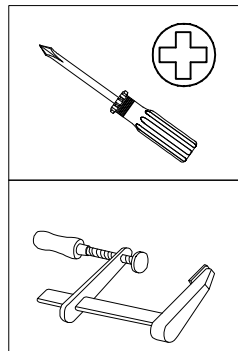
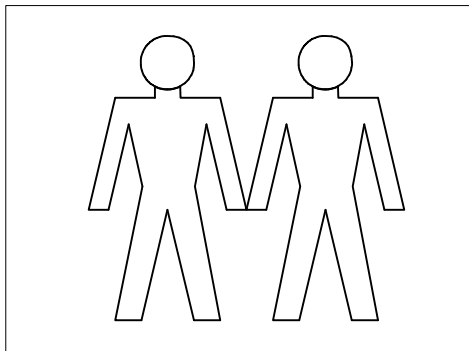
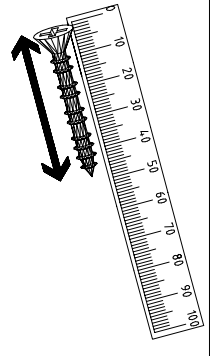
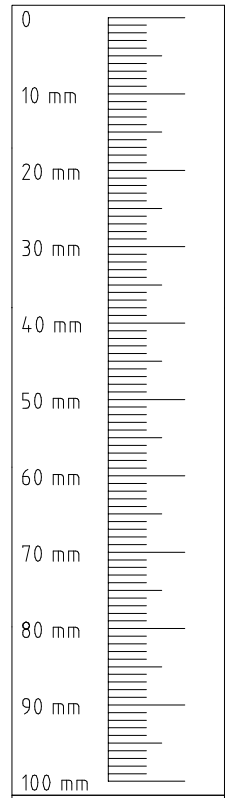
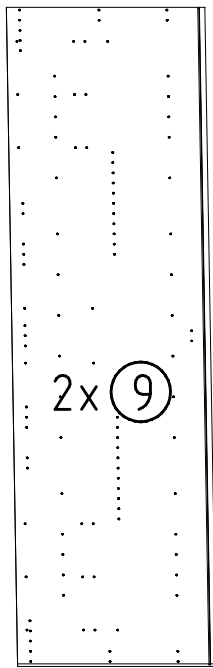
 111 102	A	24x
 111 103	C	16x
 111 229	F3	4x
 111 229	F	8x
 111 252	VB23	8x
 111 174	J1	8x
 111 610	L7	20x
 112 198	Y20	8x

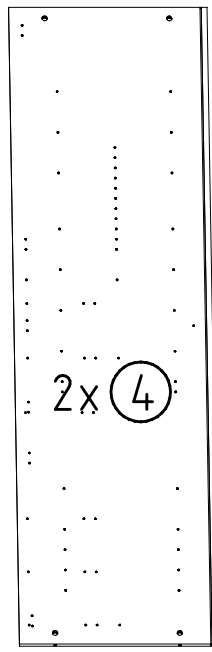
 117 001	K1	4x
 112 402	K20	2x
 112 268	M	20x
 112 267	N	20x
 111 052	o10	1x
 163 007	Z	2x
 121 120	SP15	1x
 112 616	T3	16x

 121 181	T6	8x
 121 370	G1	12x
 111 015	G8	8x
 121 375	G14	12x

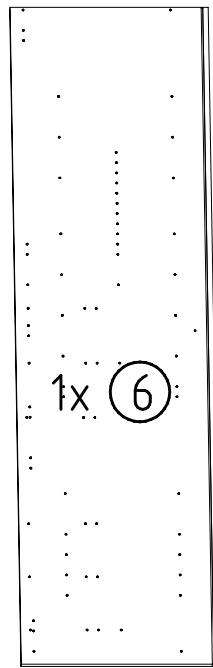




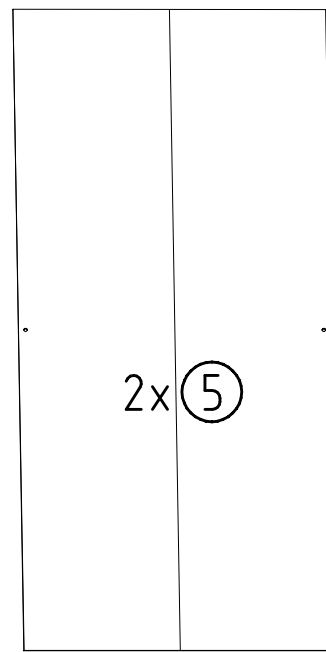
2064x560x15



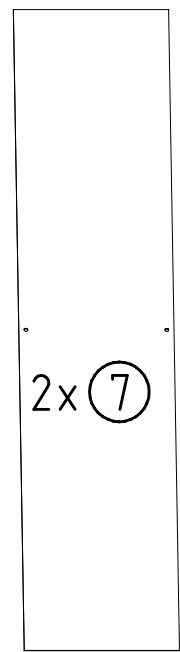
2001x560x15



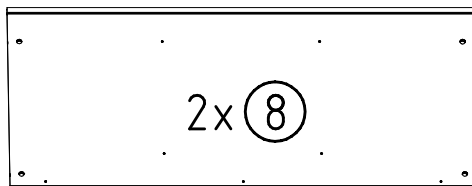
2064x560x15



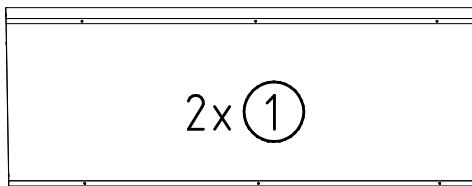
2015x882x2,5



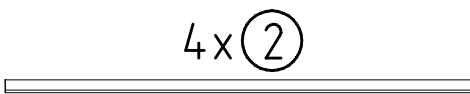
2015x438x2,5



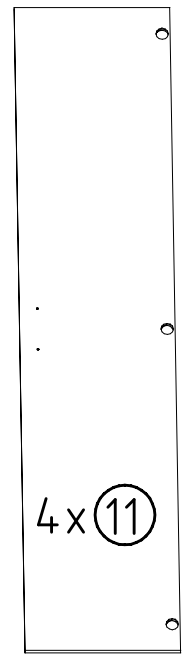
1317x560x15



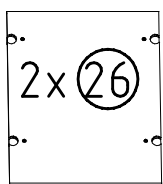
1317x560x15



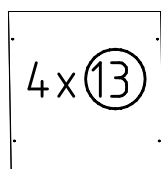
1317x33x15



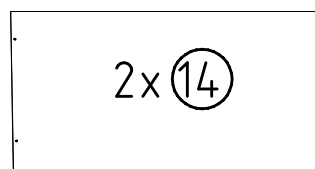
2021x439x15



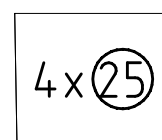
429x540x18



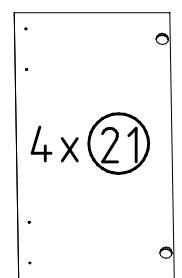
429x500x18



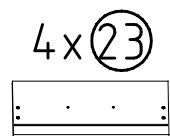
873x500x18



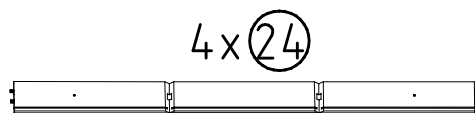
439x408x2,5



837x439x15



439x168x15



439x422x439x92

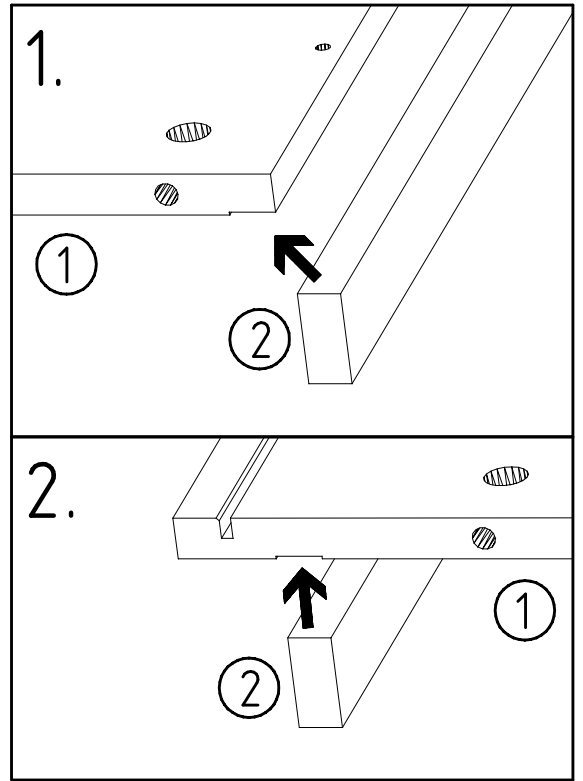
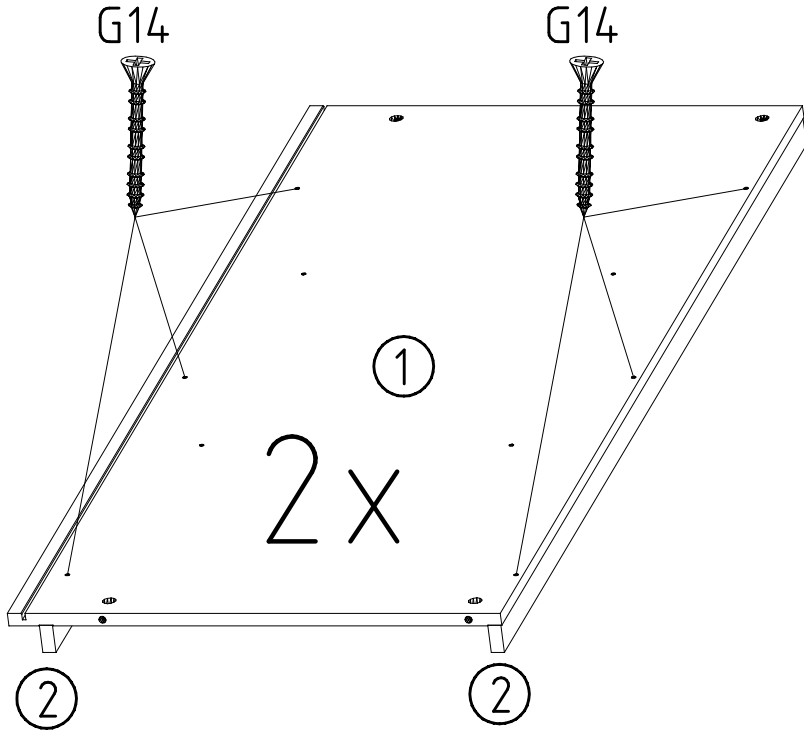
1

3,5 x 35 mm

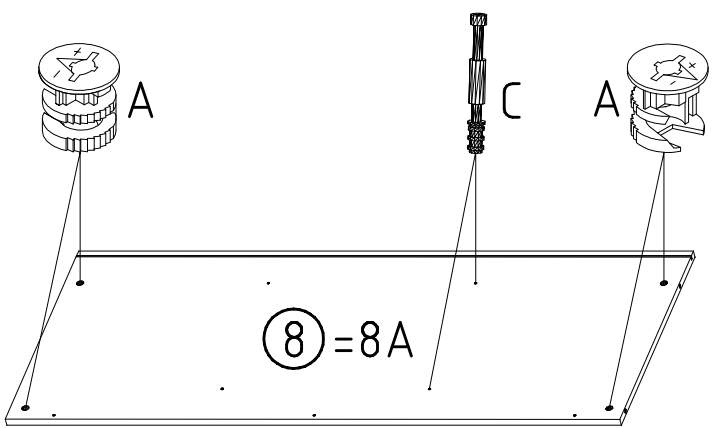
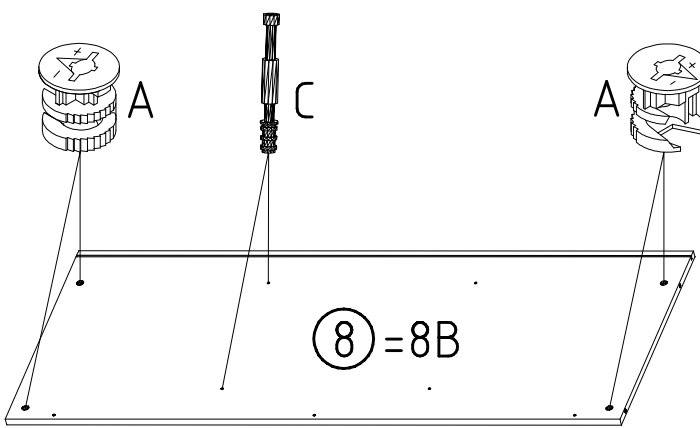
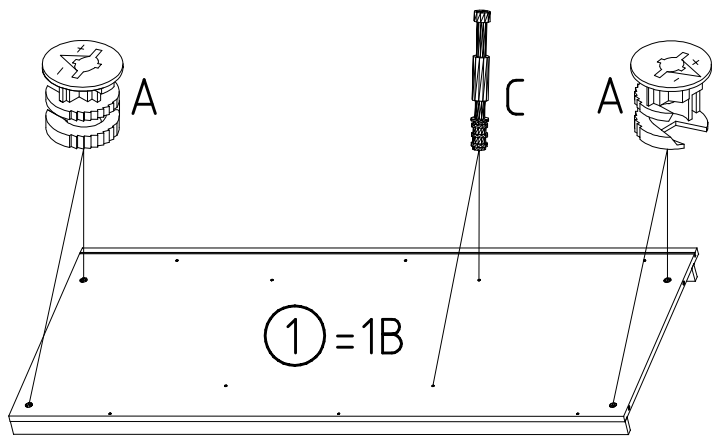
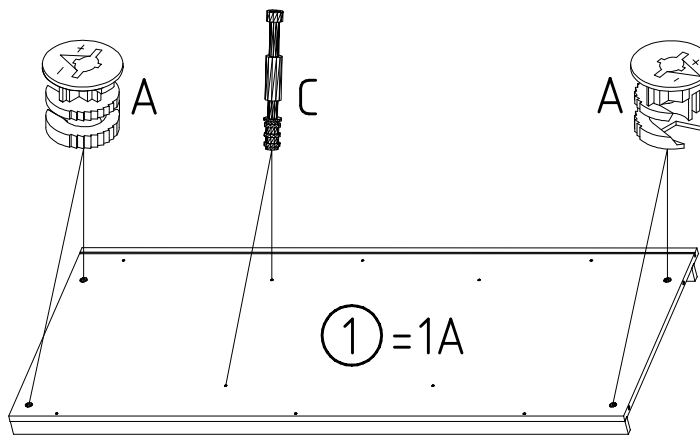
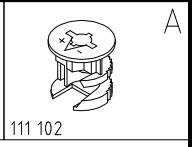
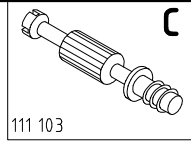
G14



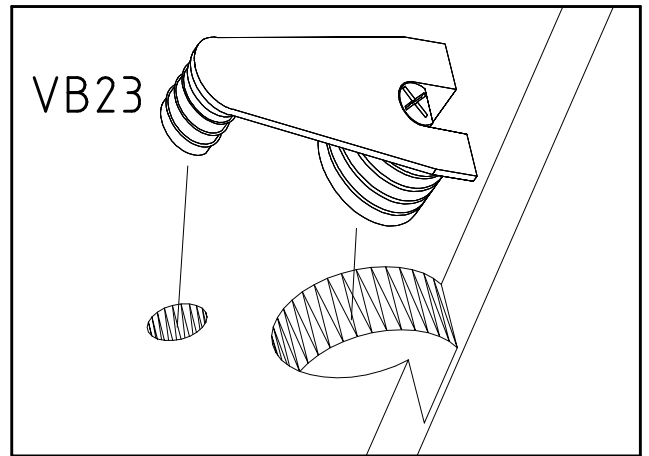
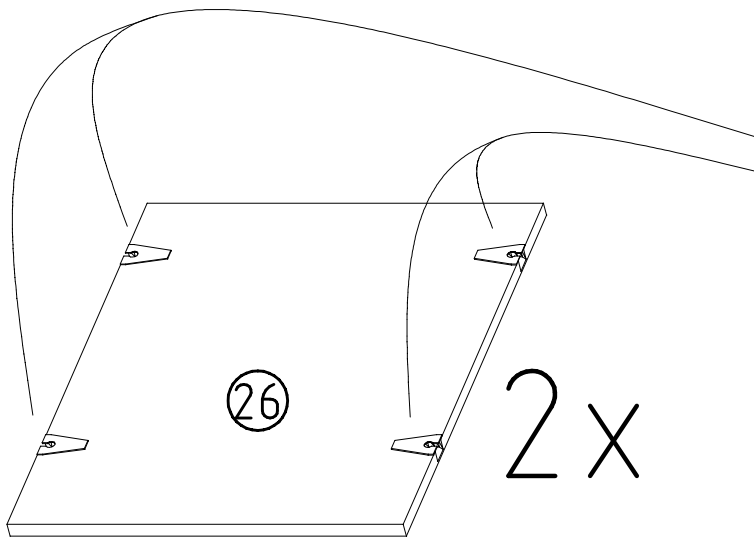
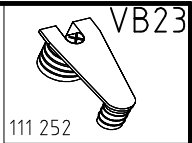
121 375



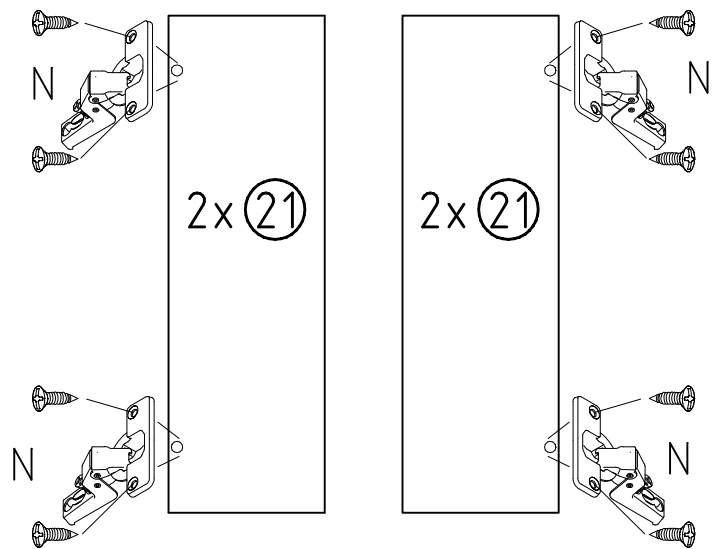
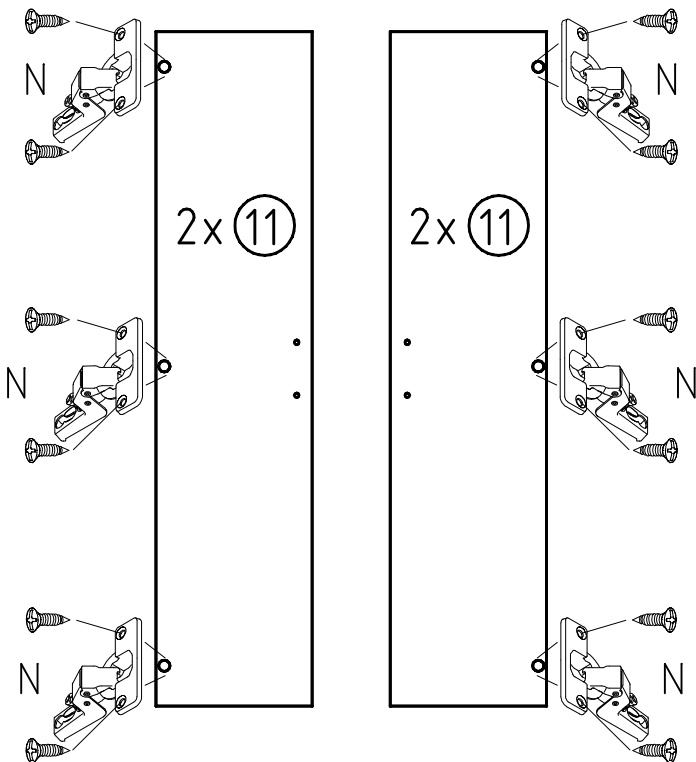
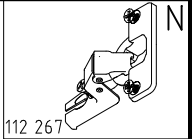
2

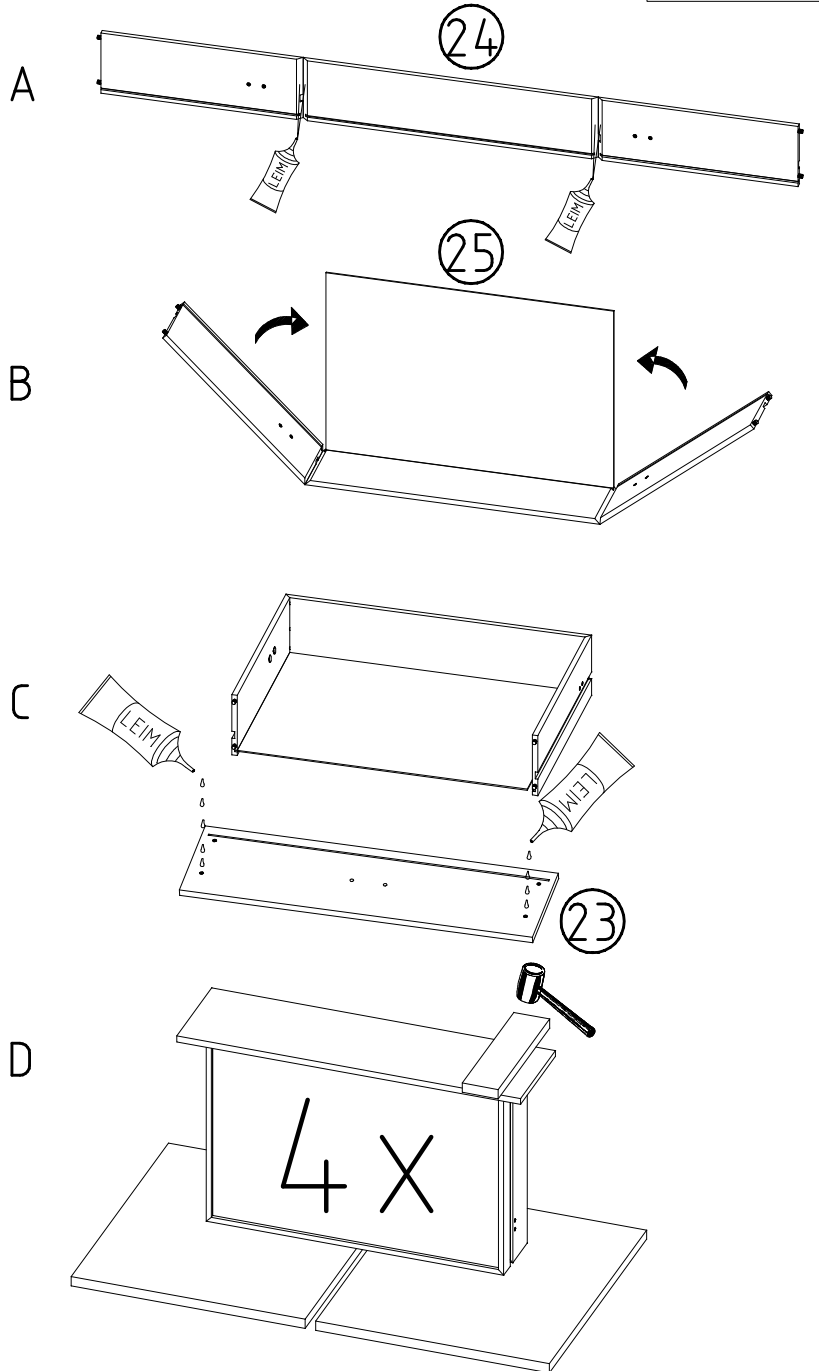
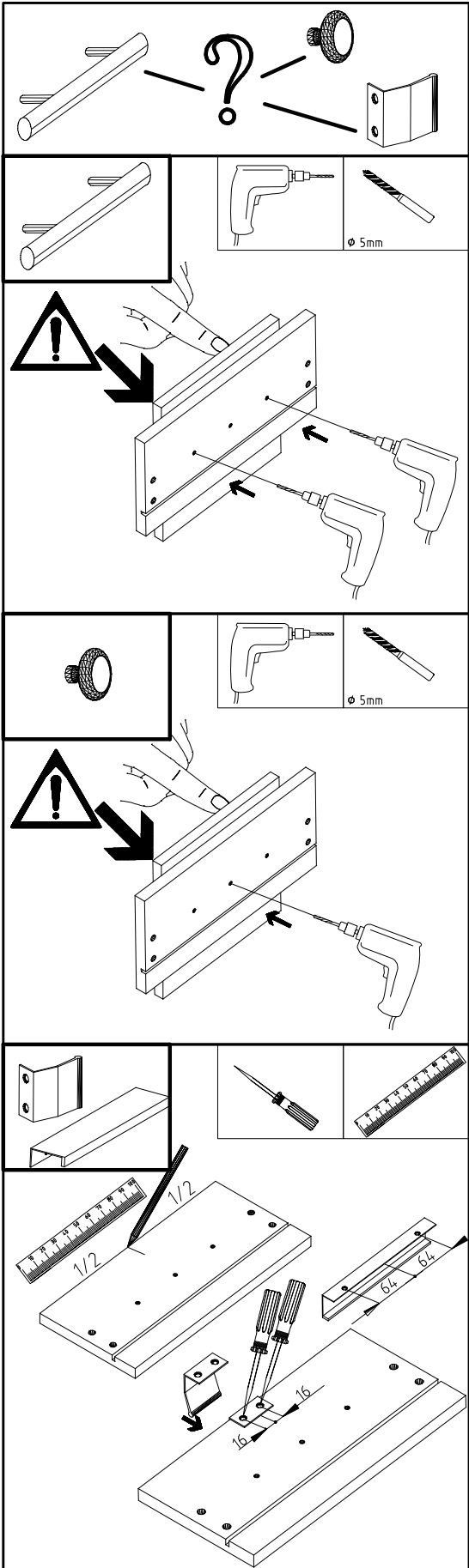


3



4





6

M6 x 10

T3

Y20

F

C

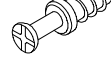
M



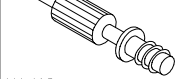
112 616



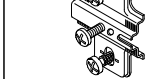
112 198



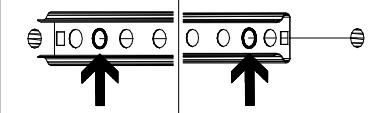
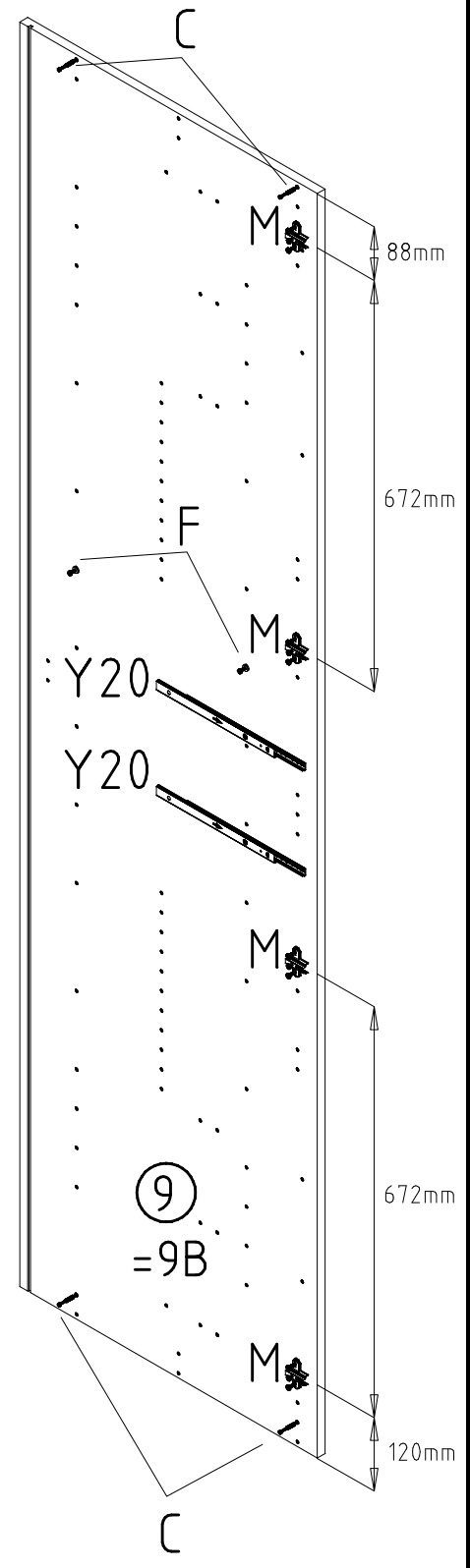
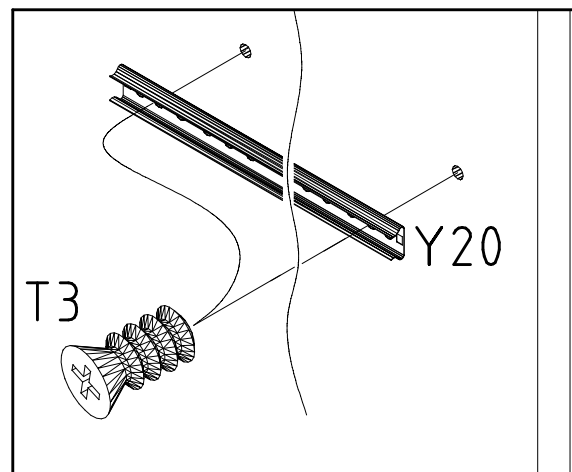
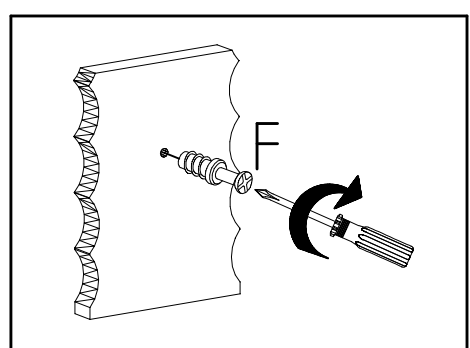
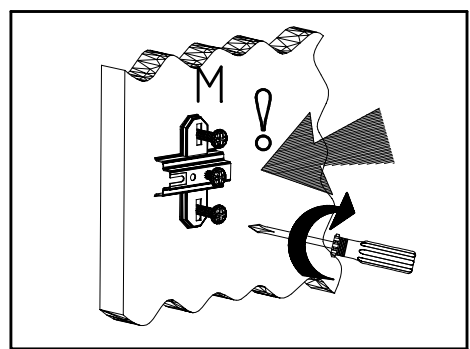
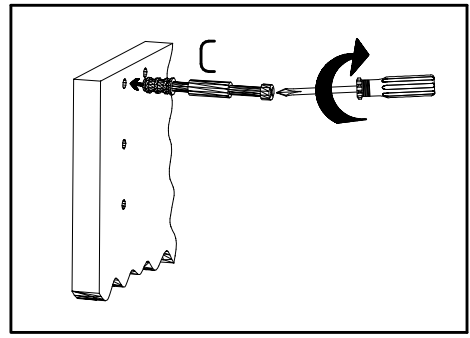
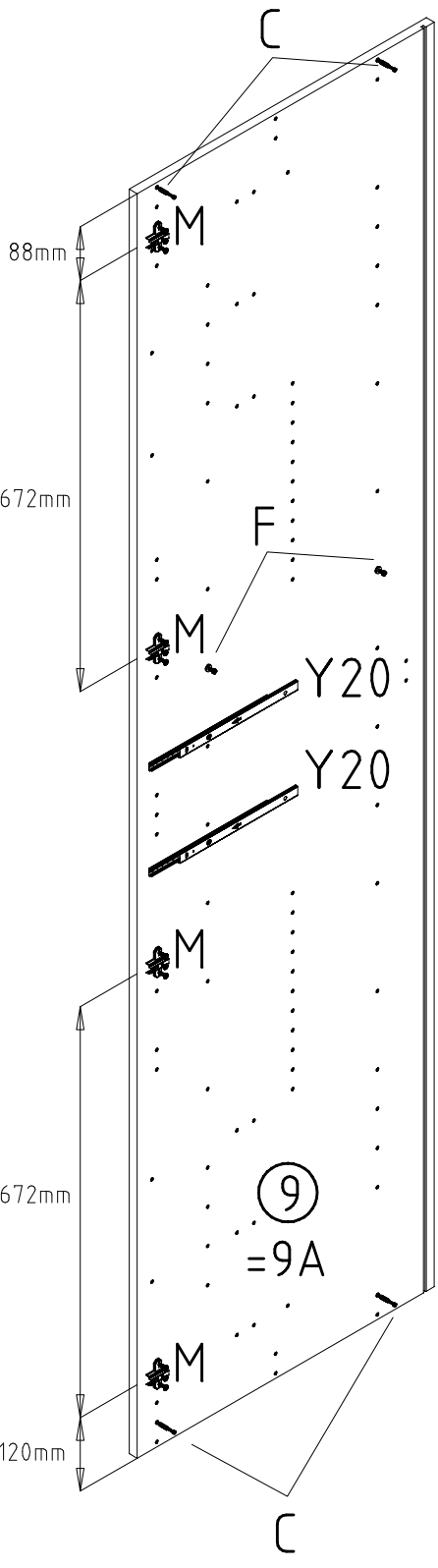
111 229



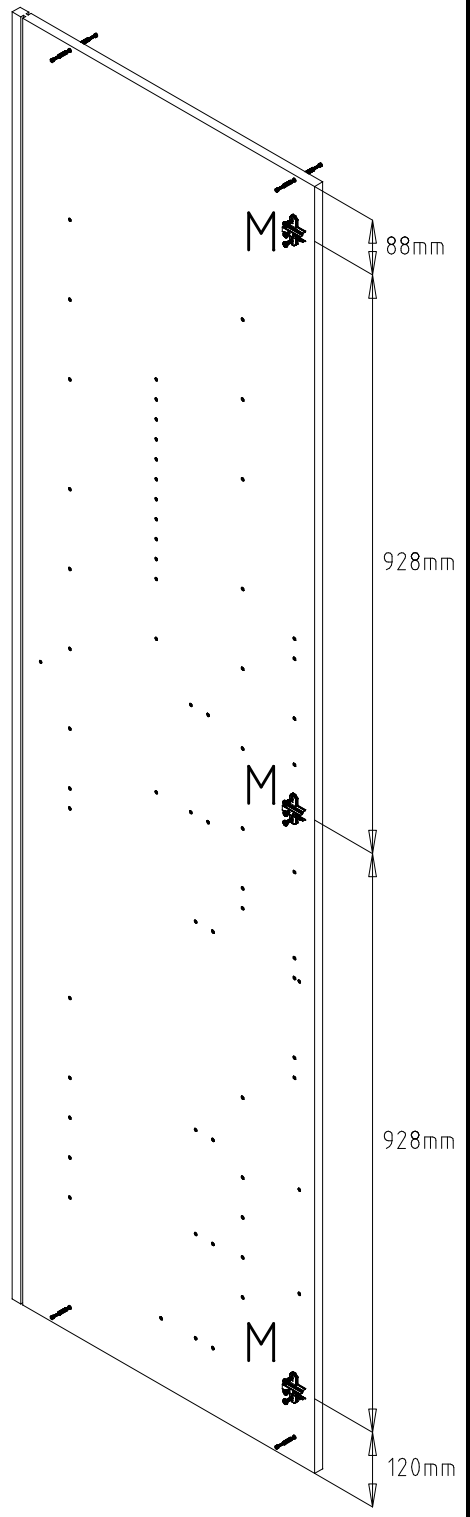
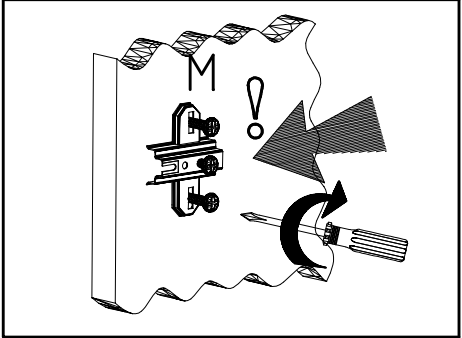
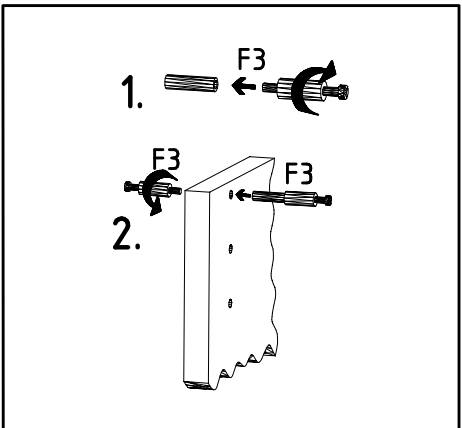
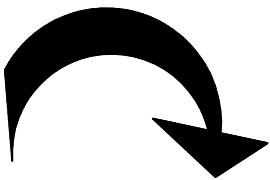
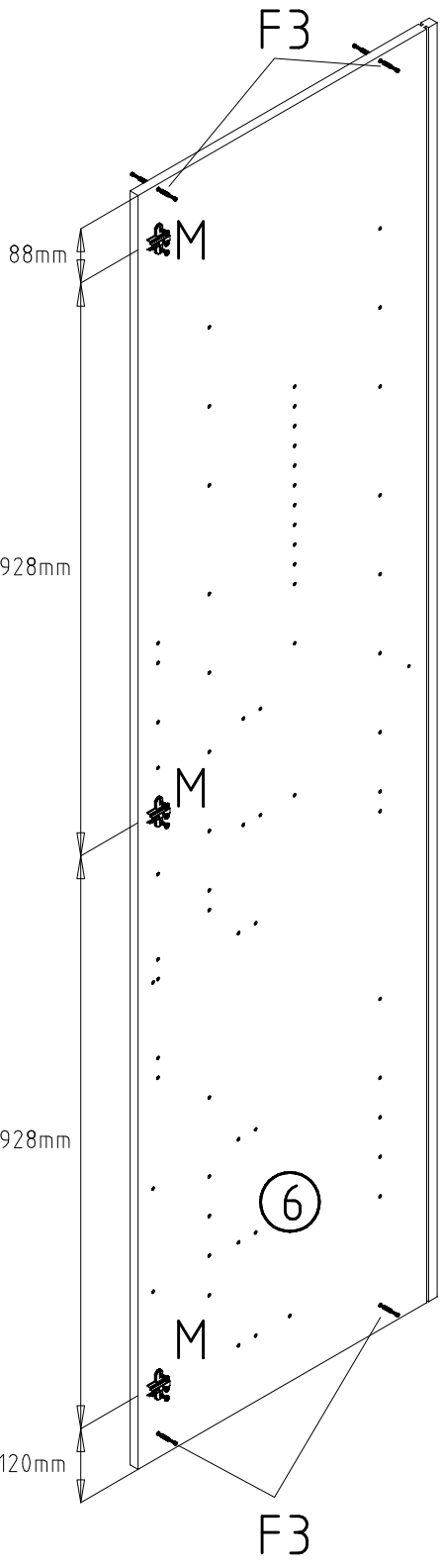
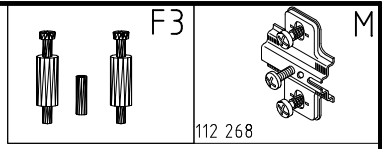
111 103



112 268



7



M6 x 10

T3

Y20

F

A

M

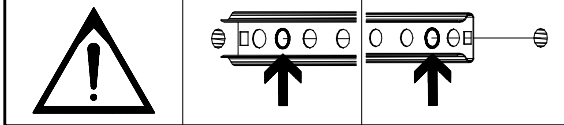
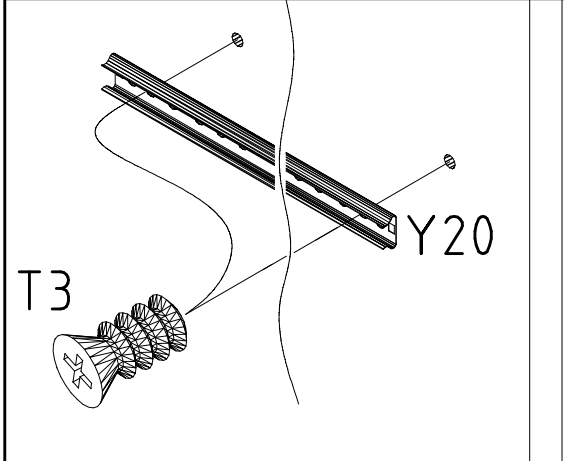
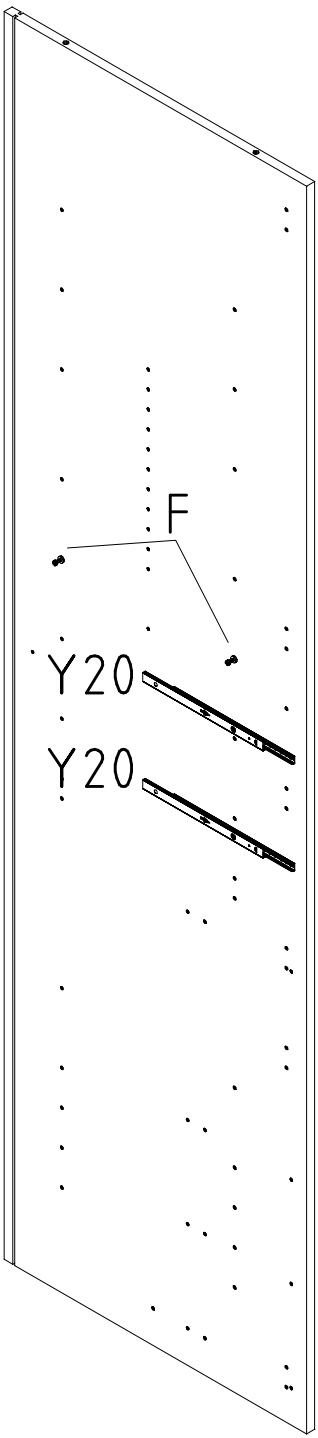
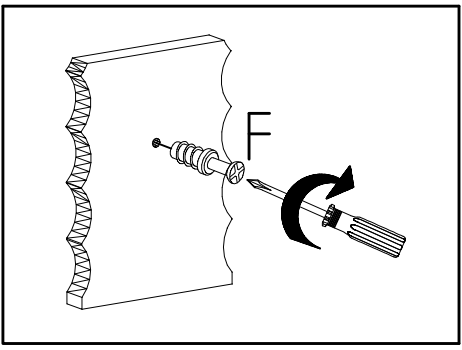
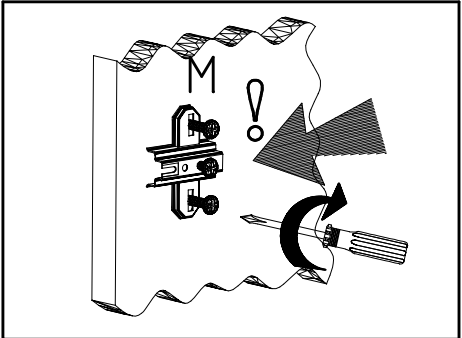
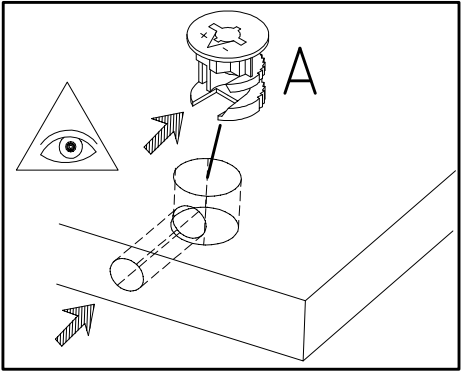
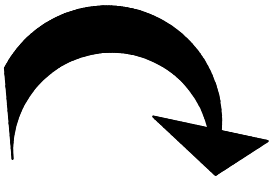
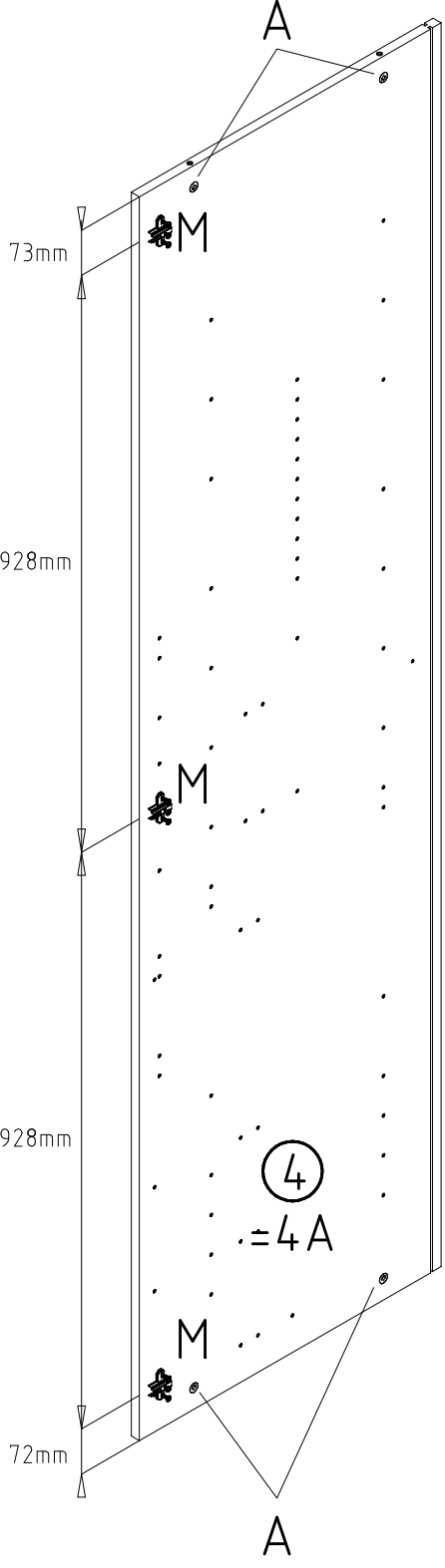
112 616

112 198

111 229

111 102

112 268



M6 x 10

T3

Y20

F

A

M

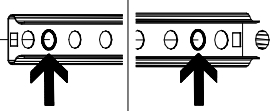
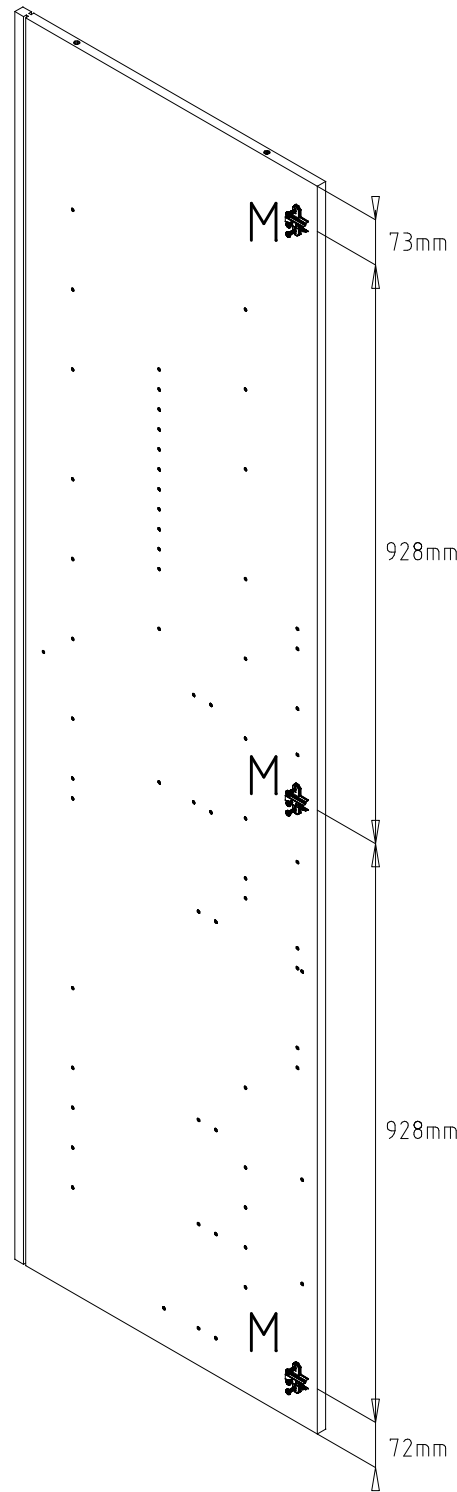
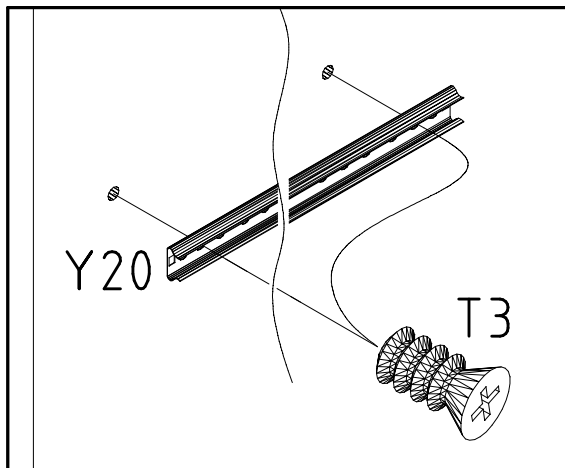
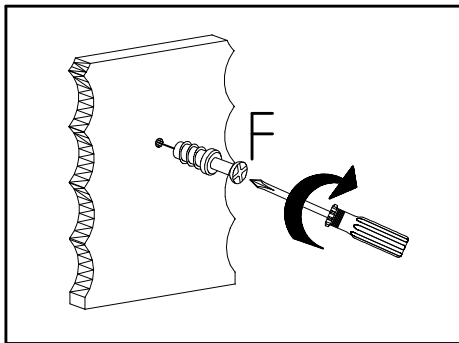
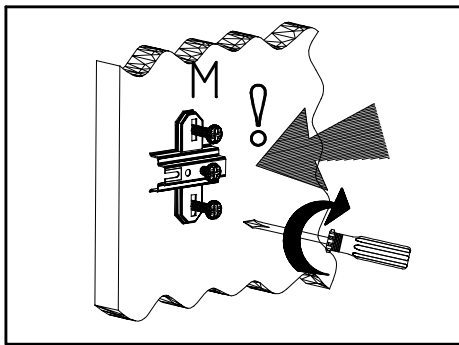
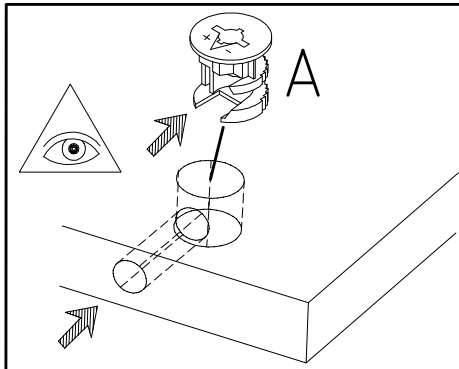
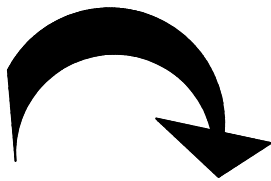
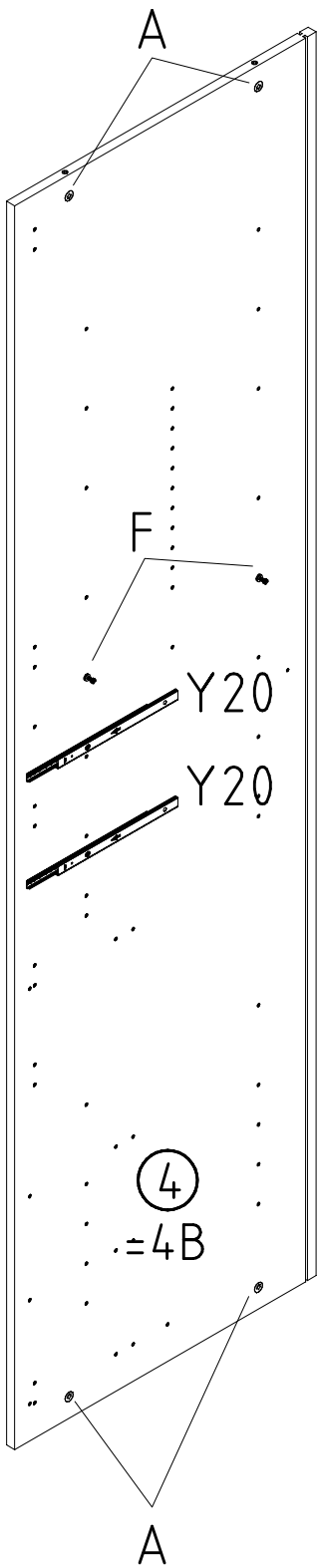
112 616

112 198

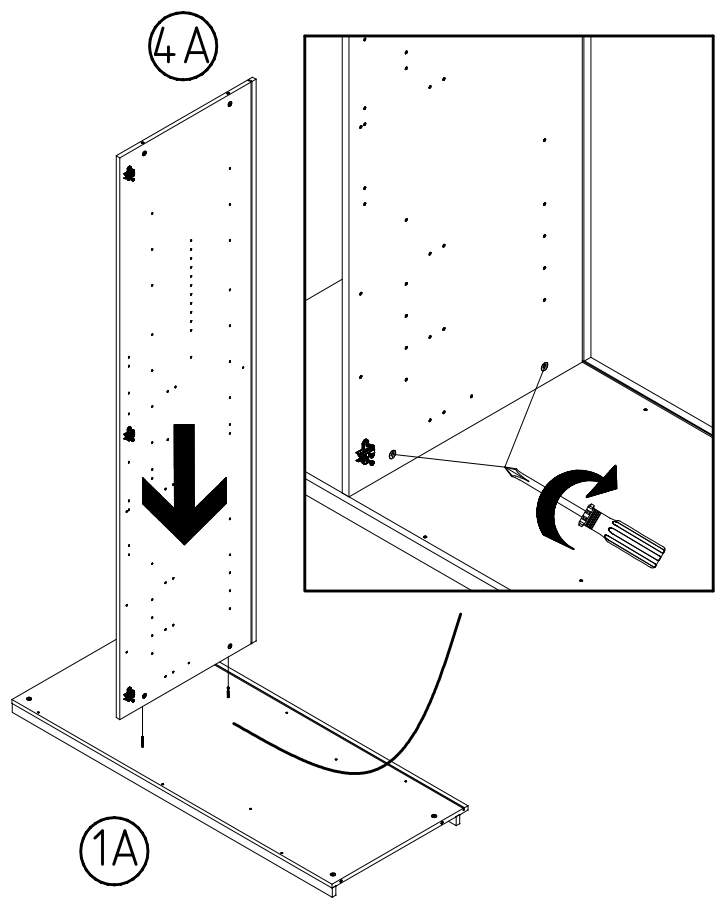
111 229

111 102

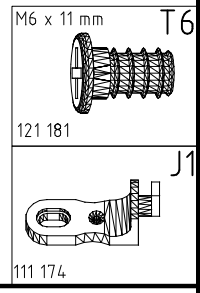
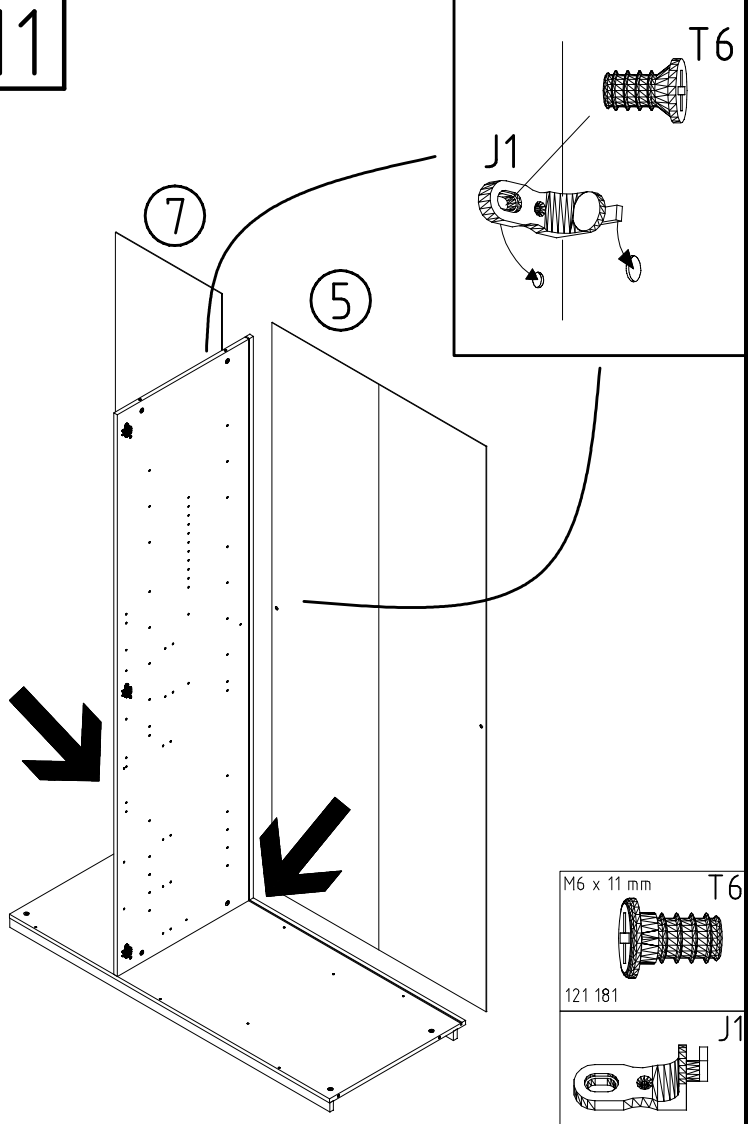
112 268



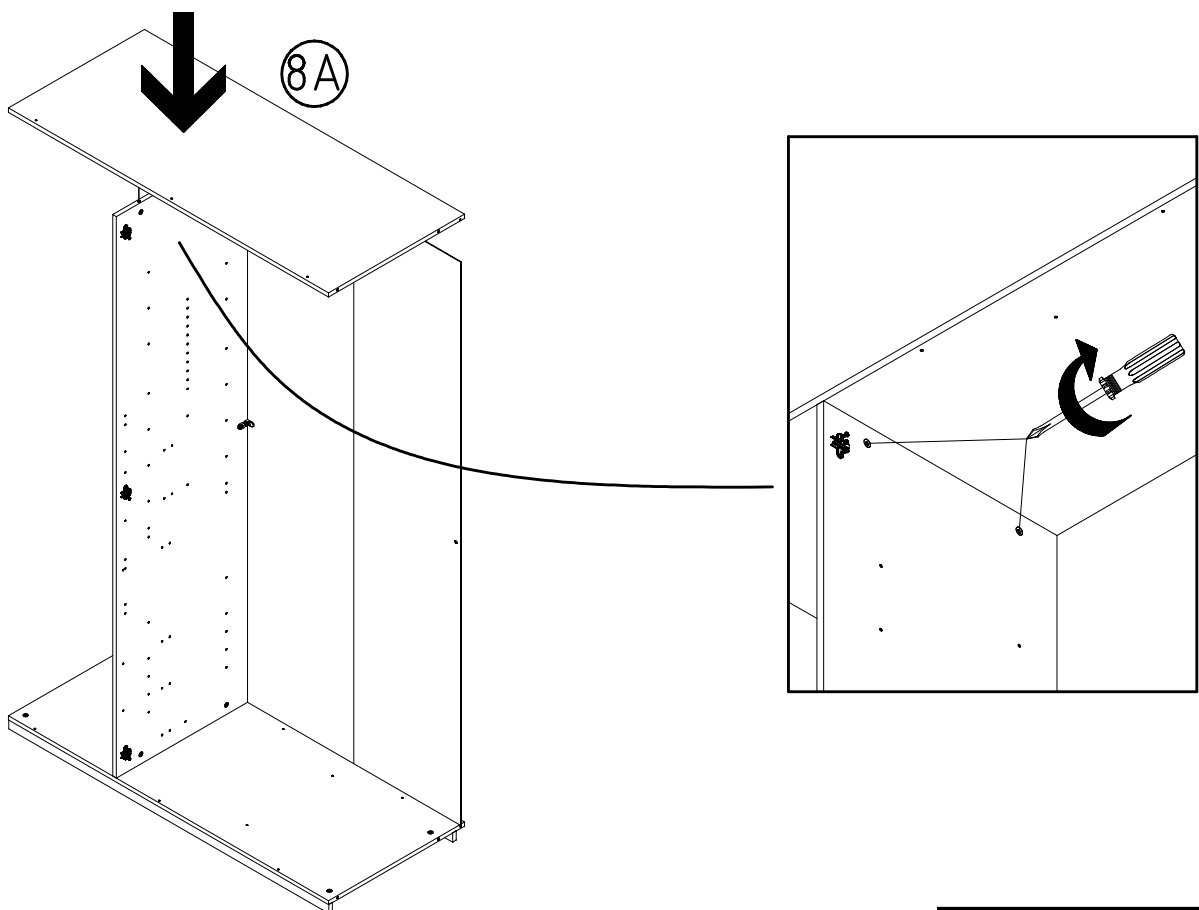
10



11

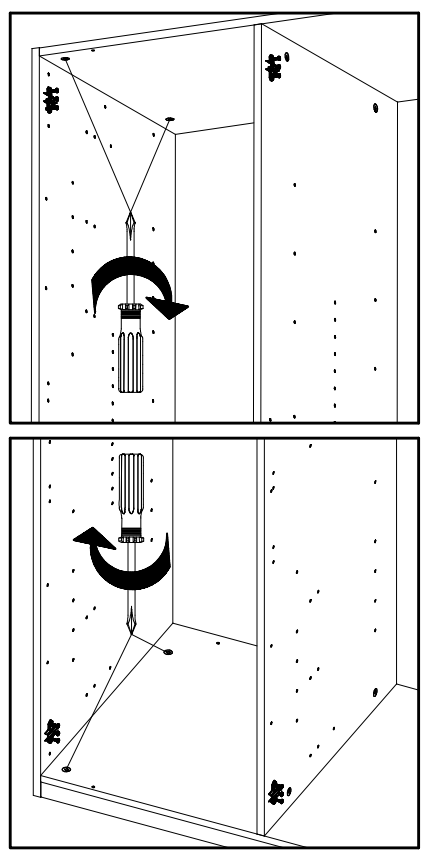
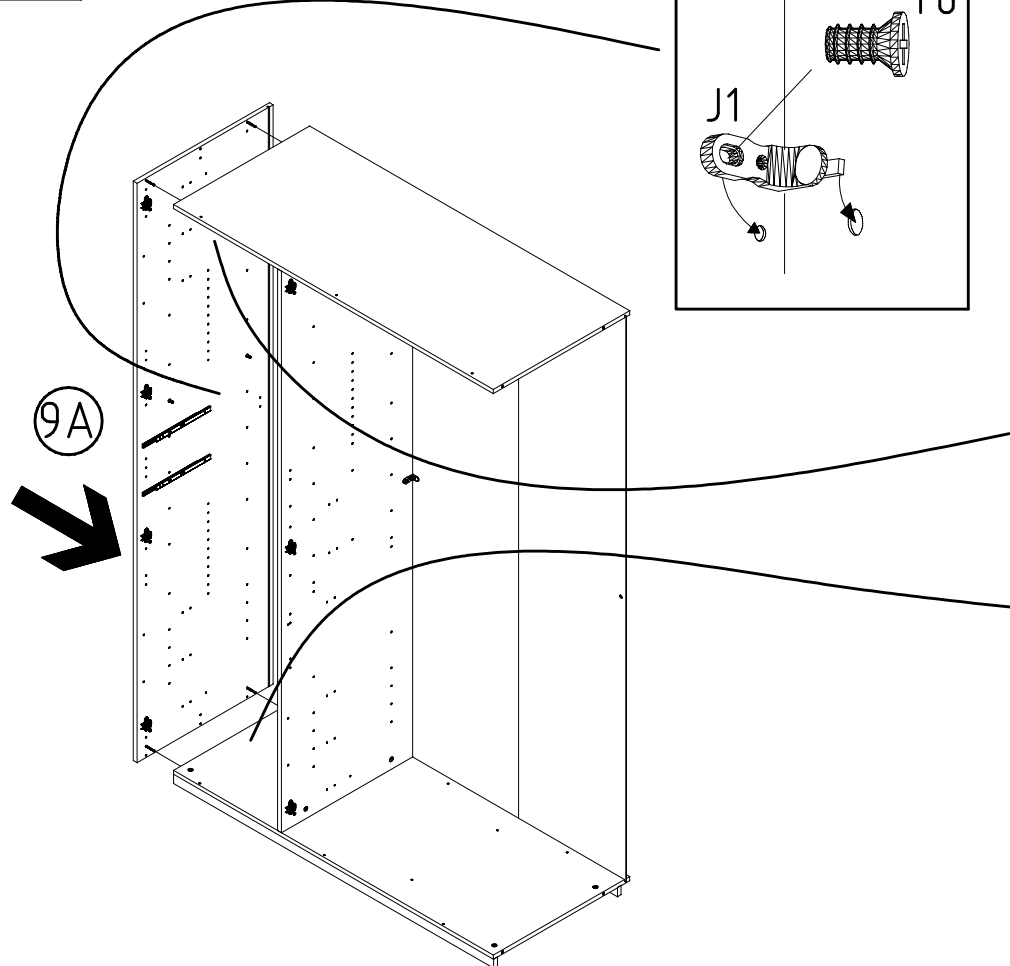


12



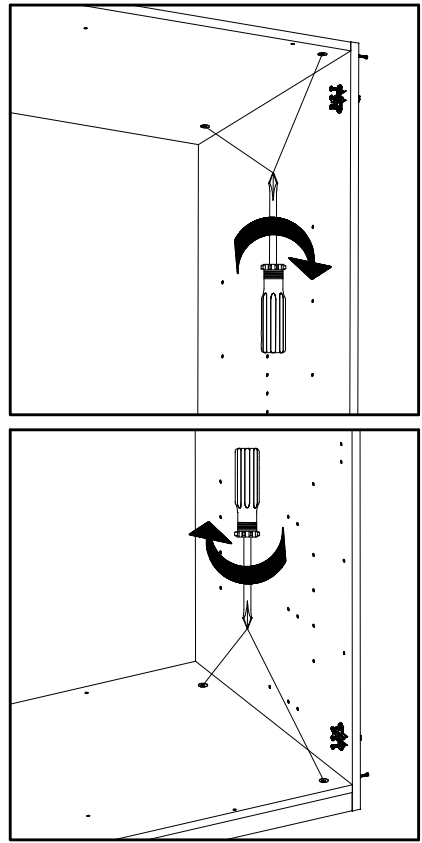
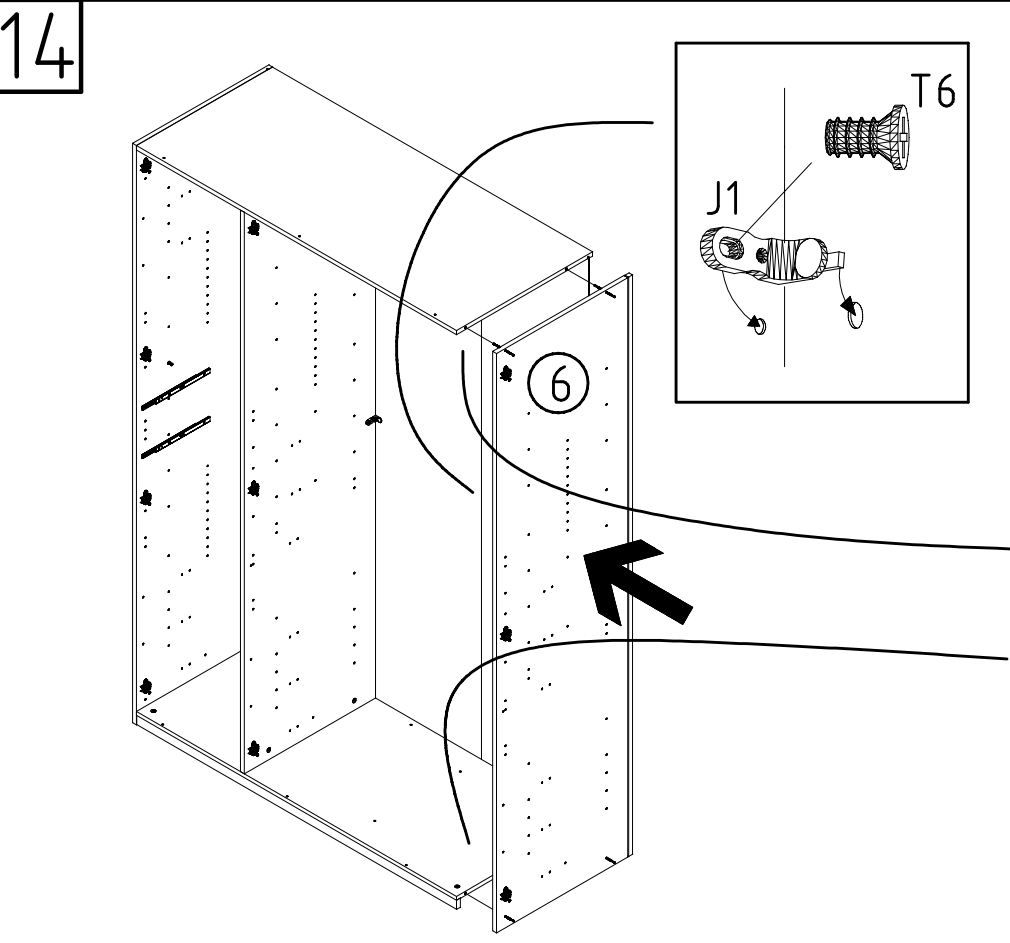
13

M6 x 11 mm T6 J1
121 181 111 174

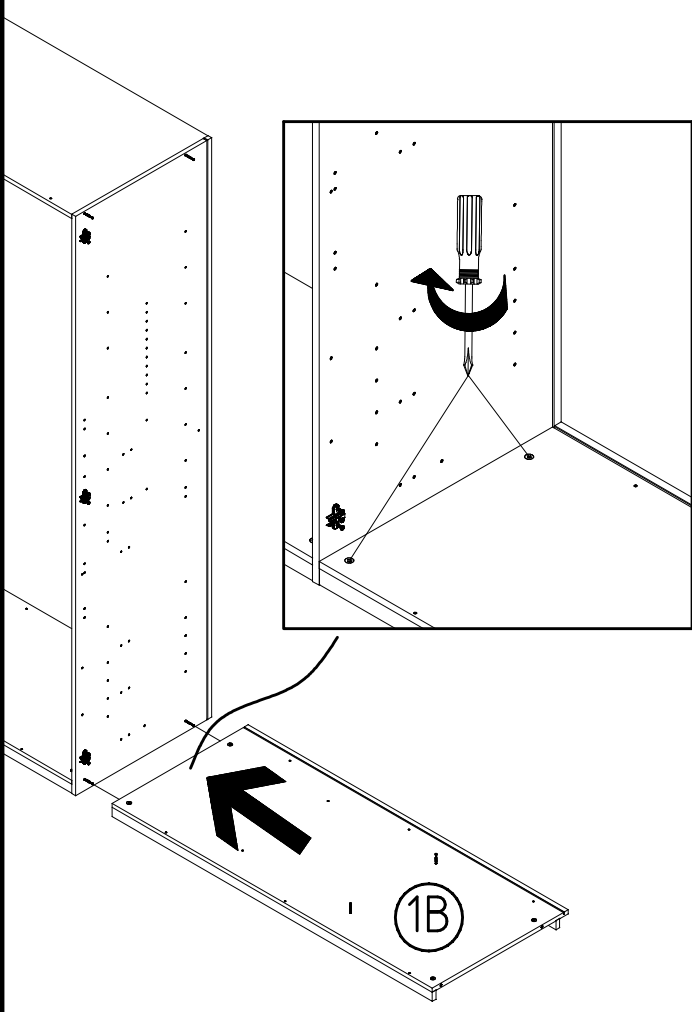


14

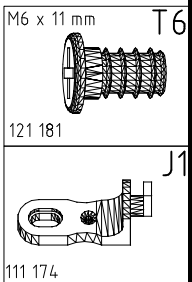
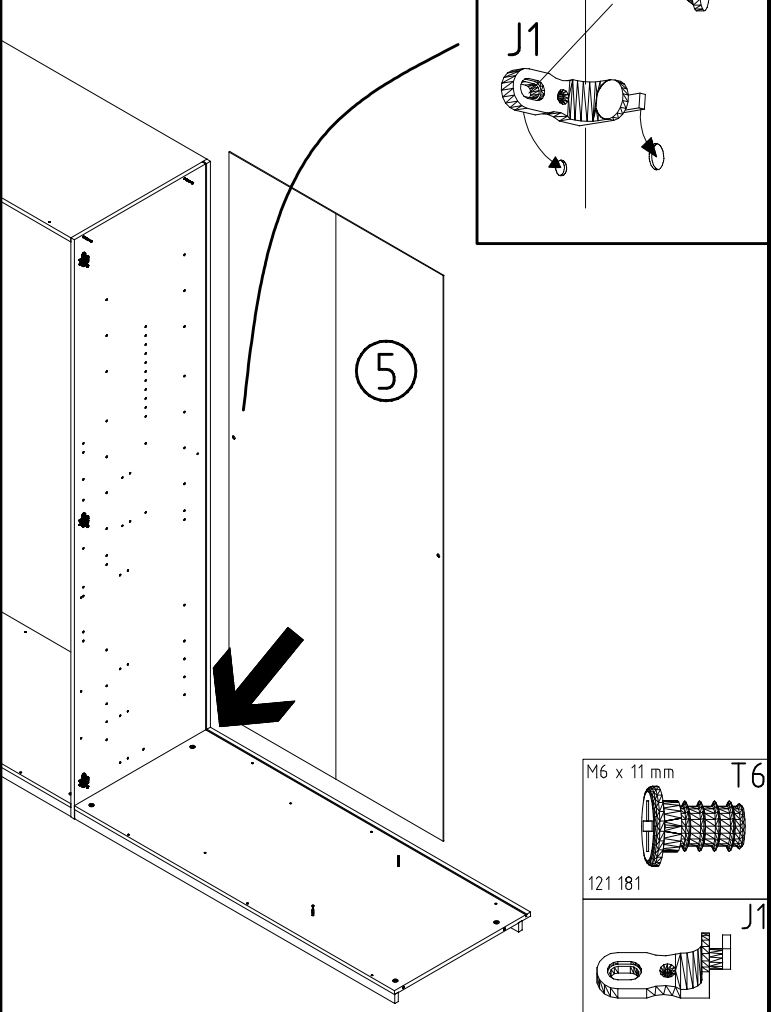
M6 x 11 mm T6 J1
121 181 111 174



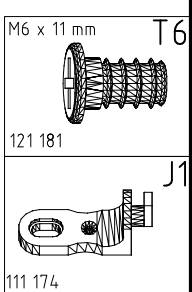
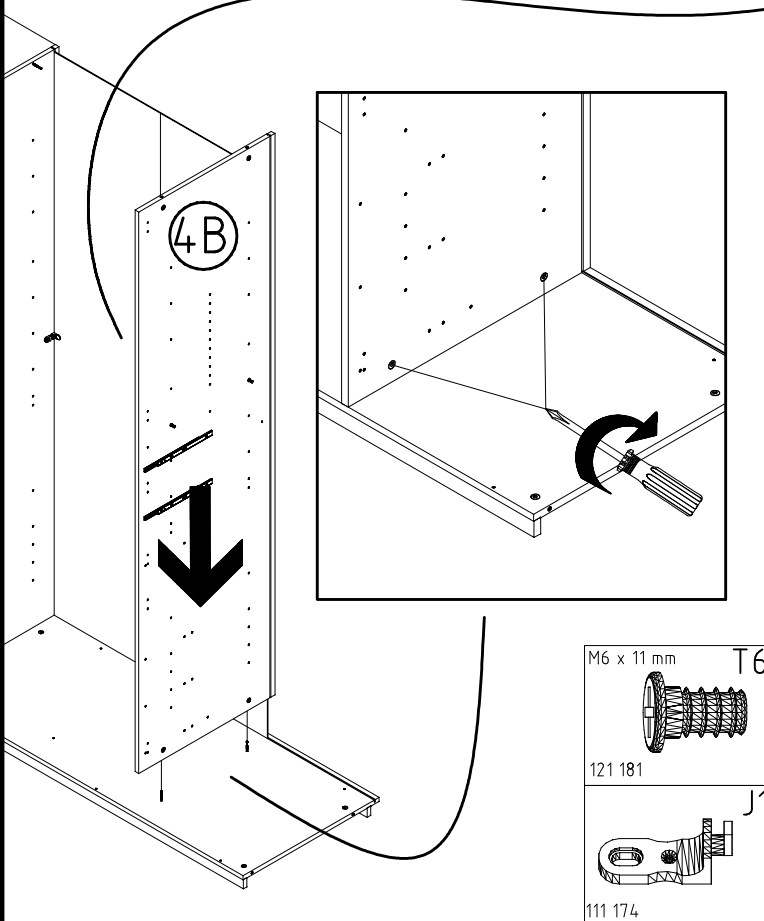
15



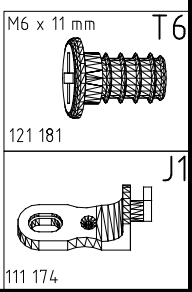
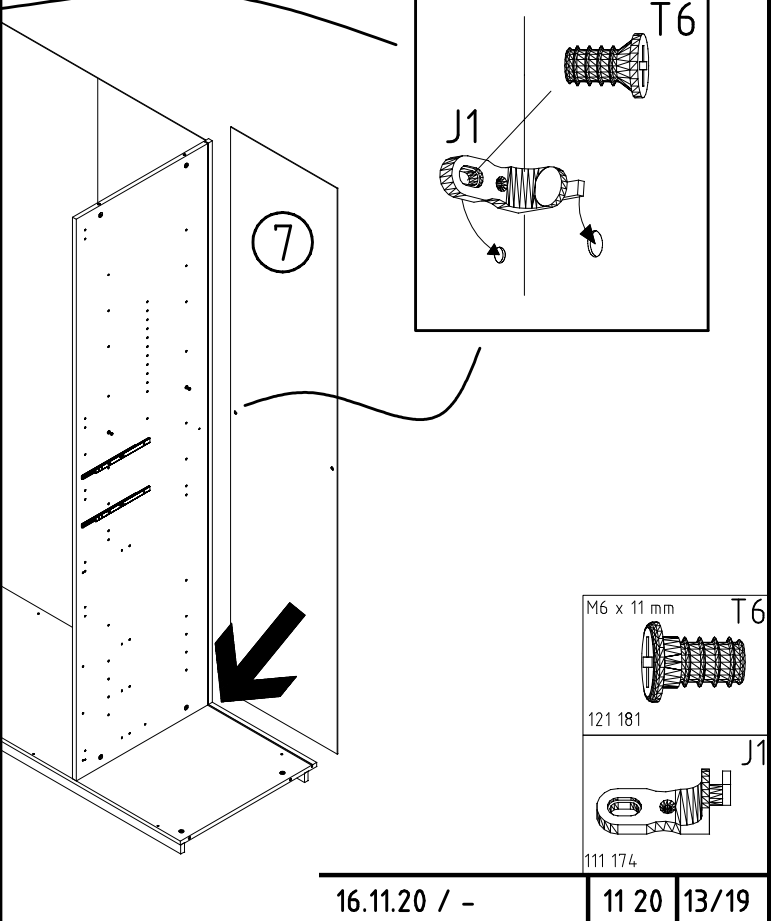
16



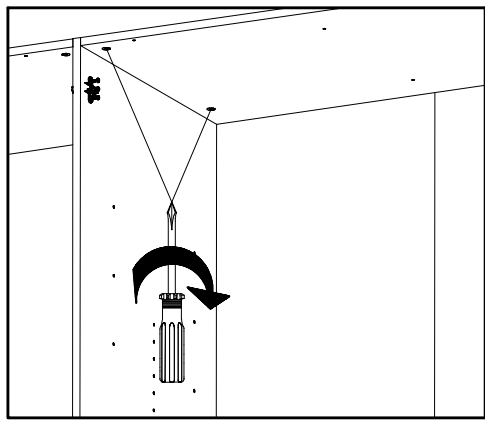
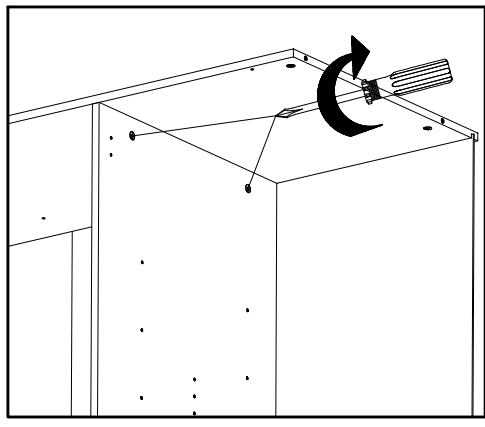
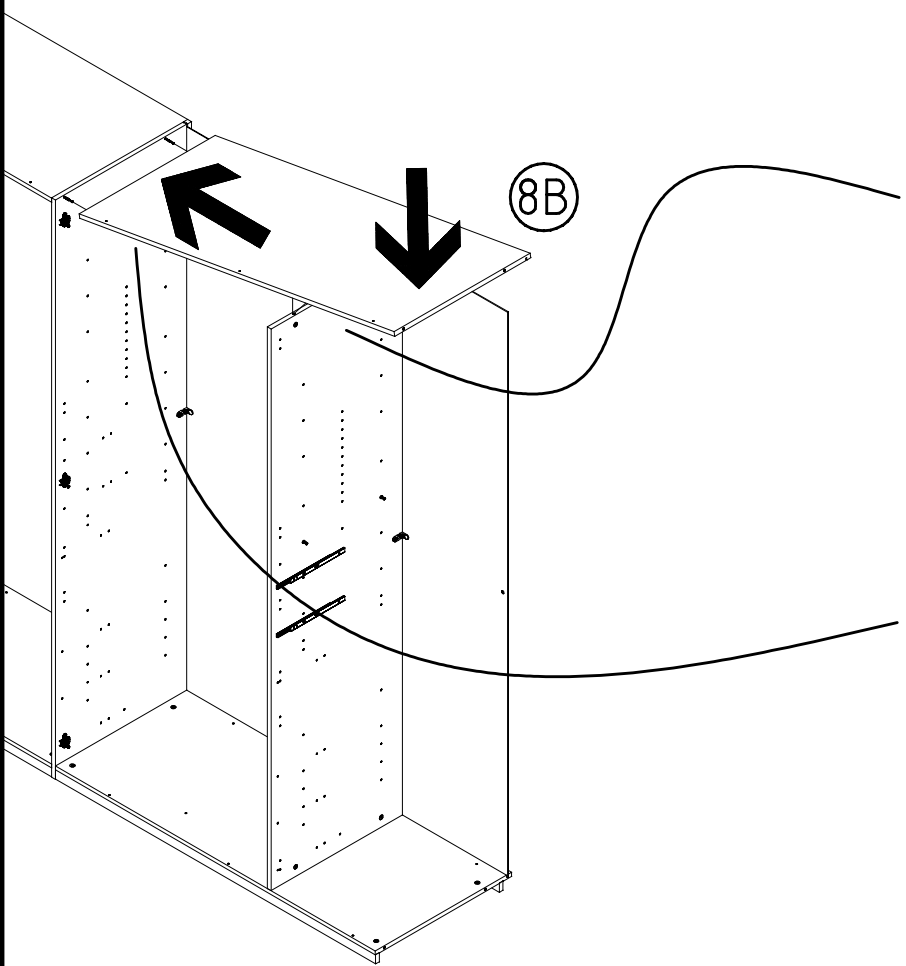
17



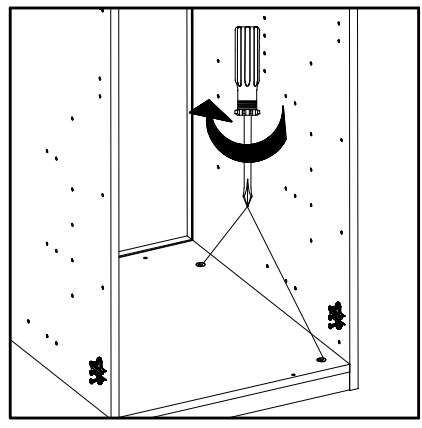
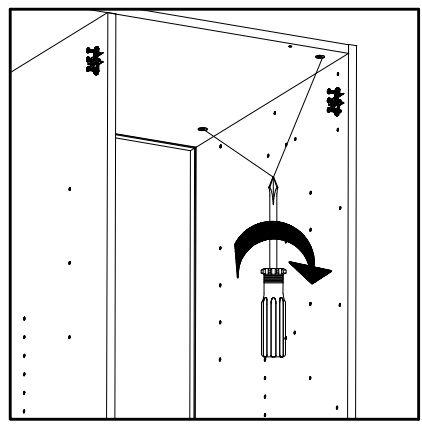
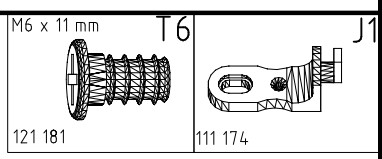
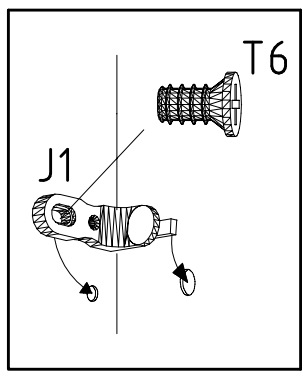
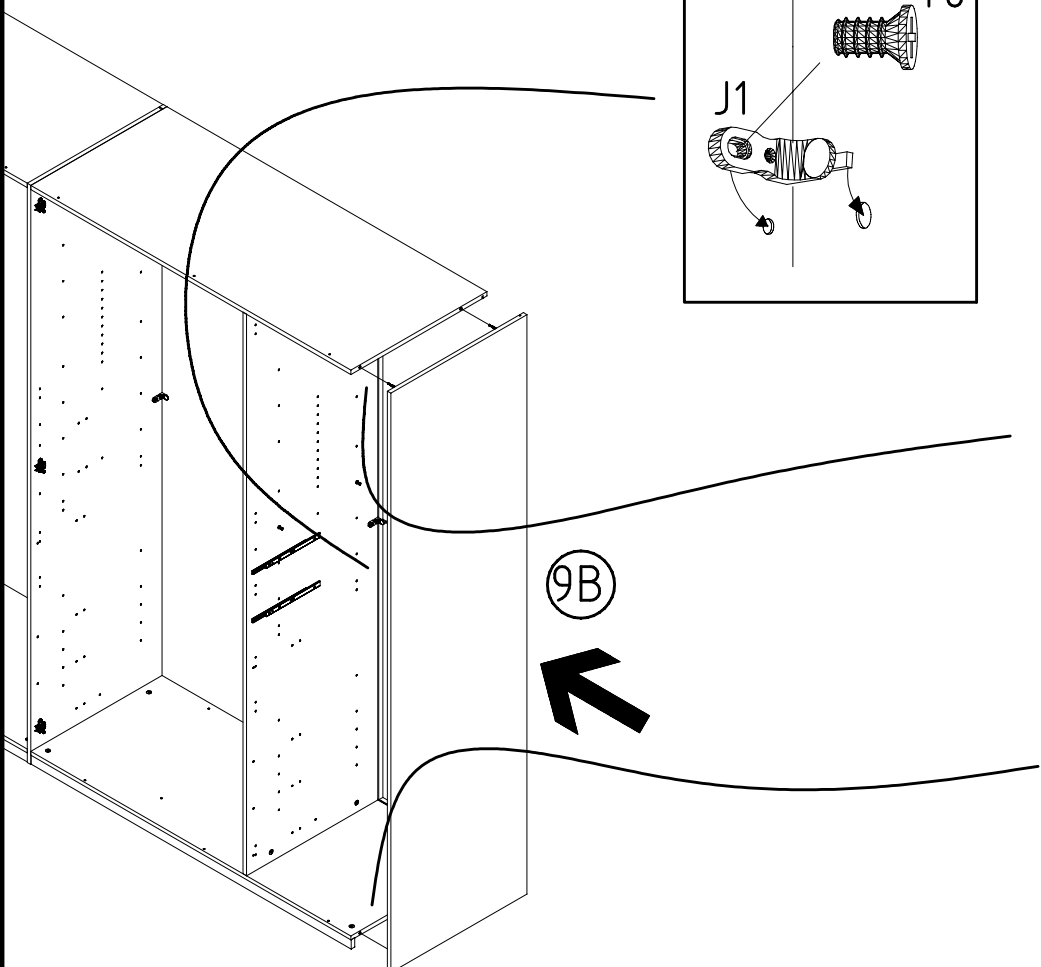
18



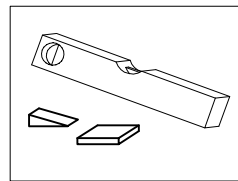
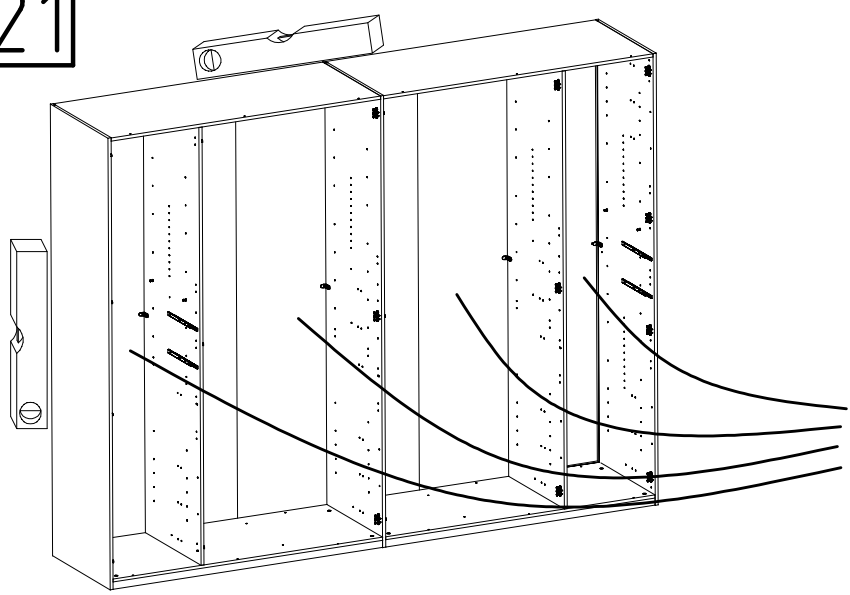
19



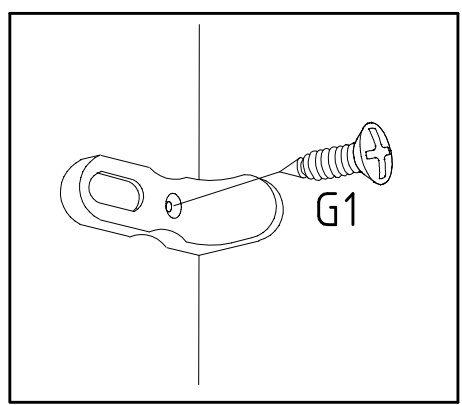
20



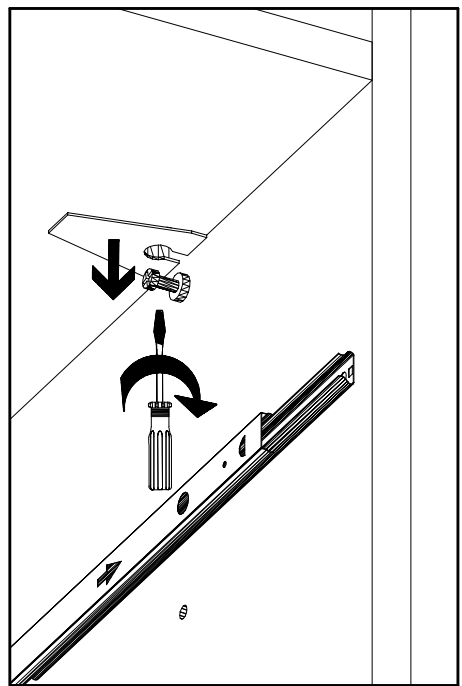
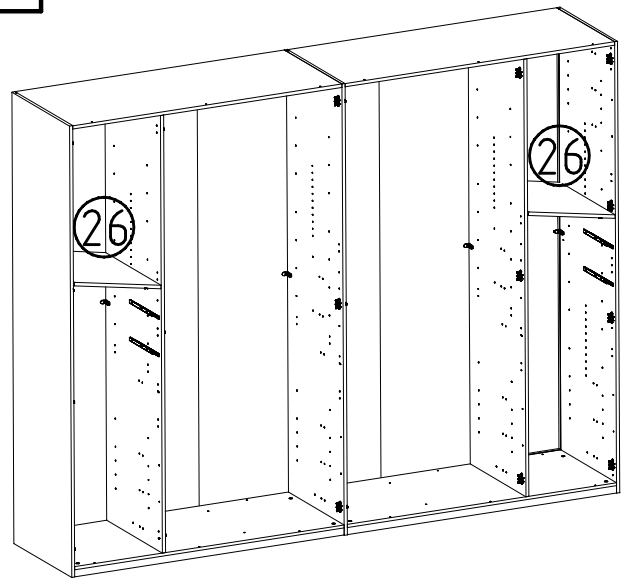
21



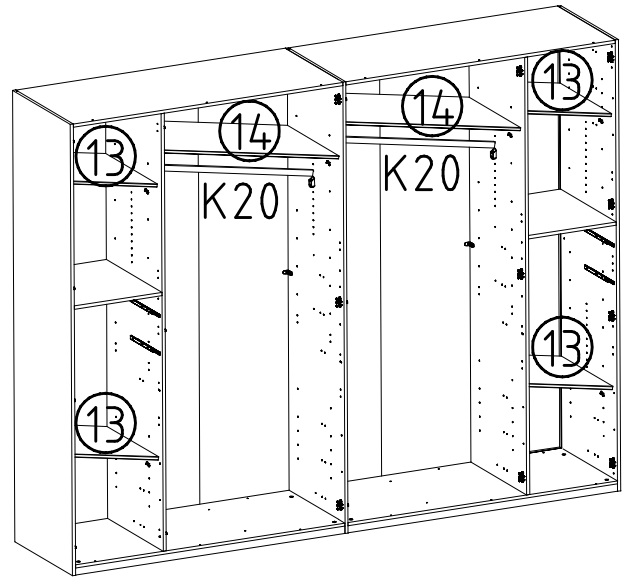
3,5 x 15 mm G1
121 370



22



23

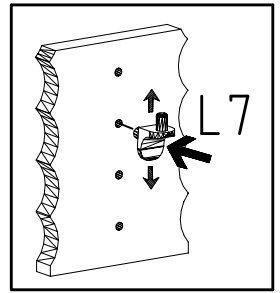
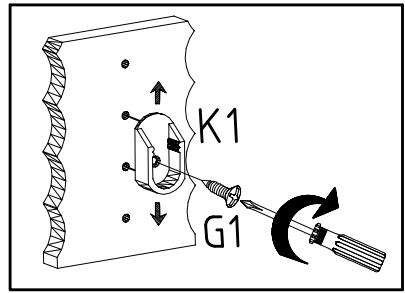


3,5 x 15 mm G1
121 370

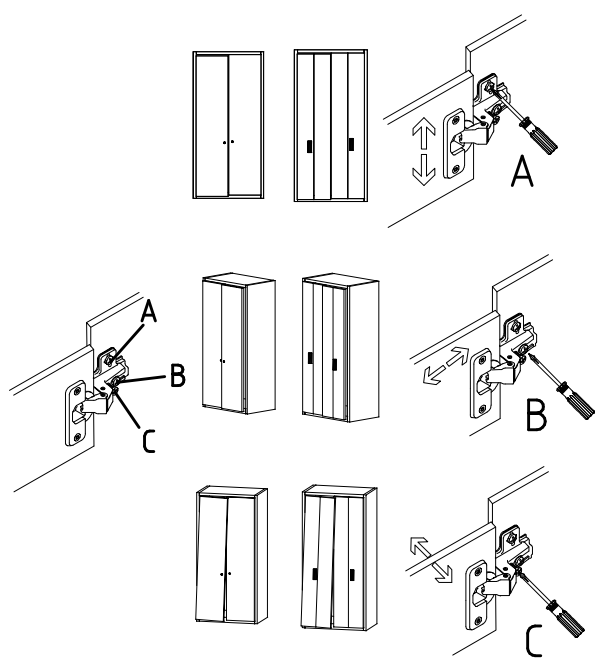
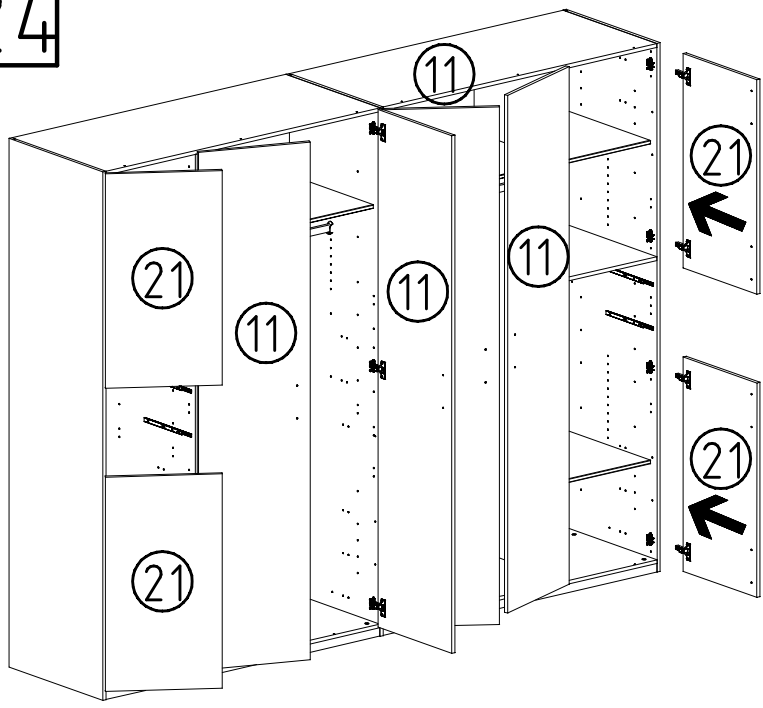
L7
111 610

K1
117 001


K20
870mm
112 402

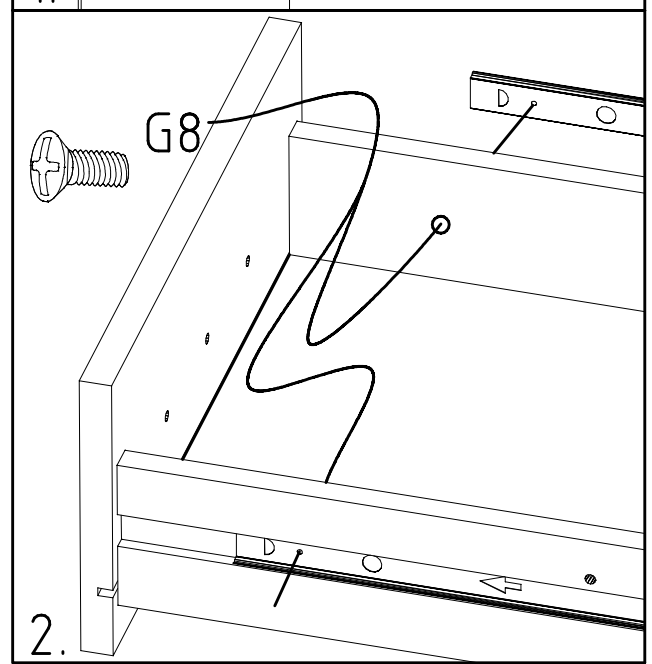
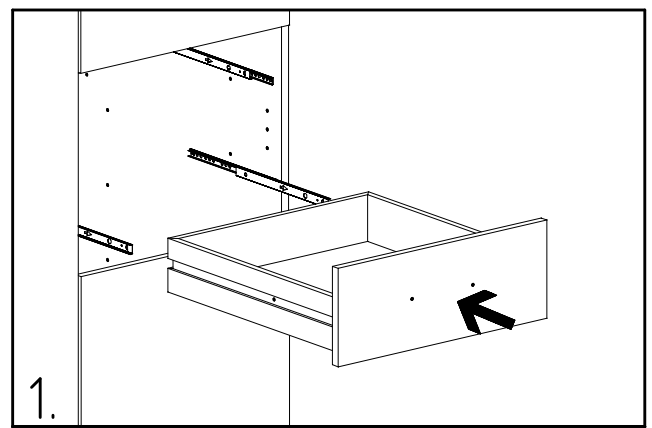
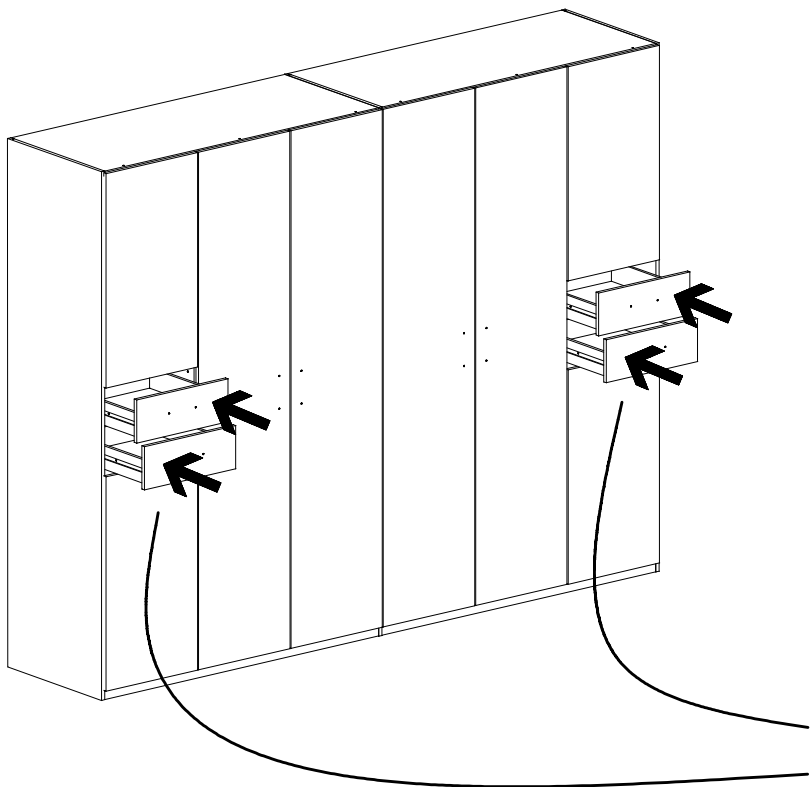


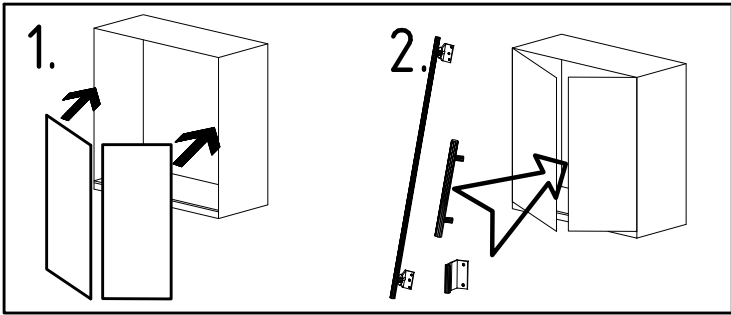
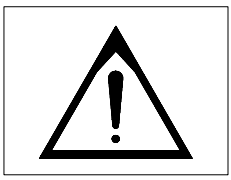
24



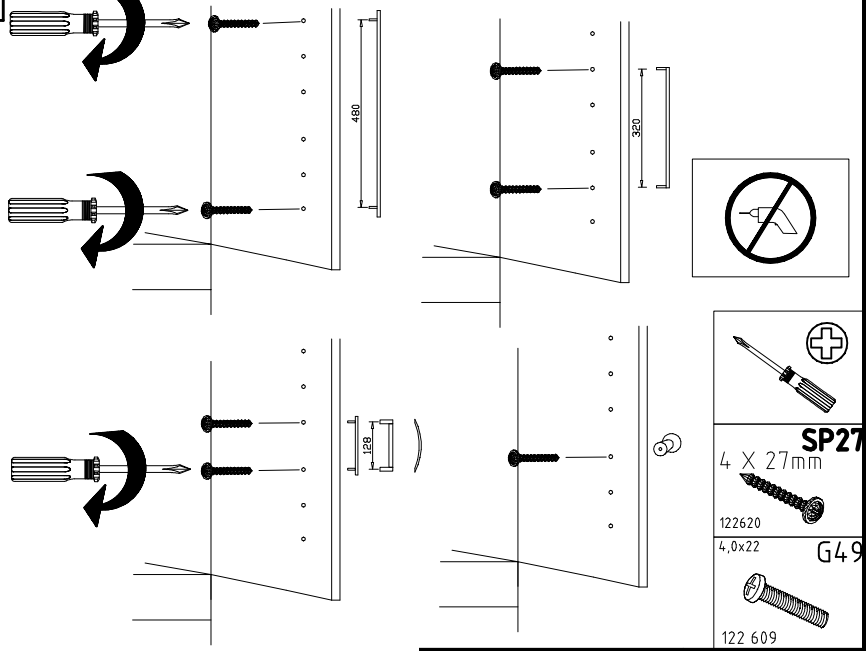
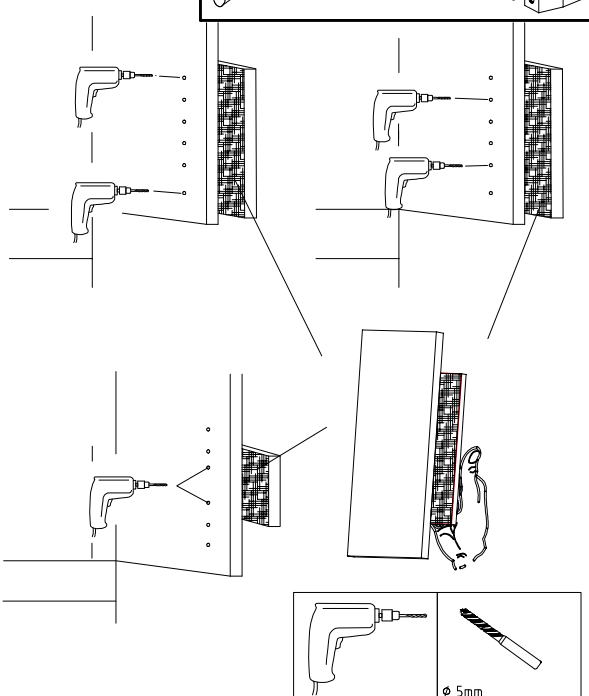
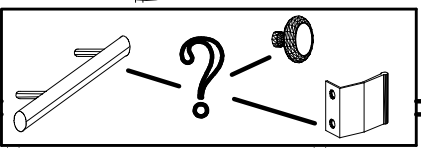
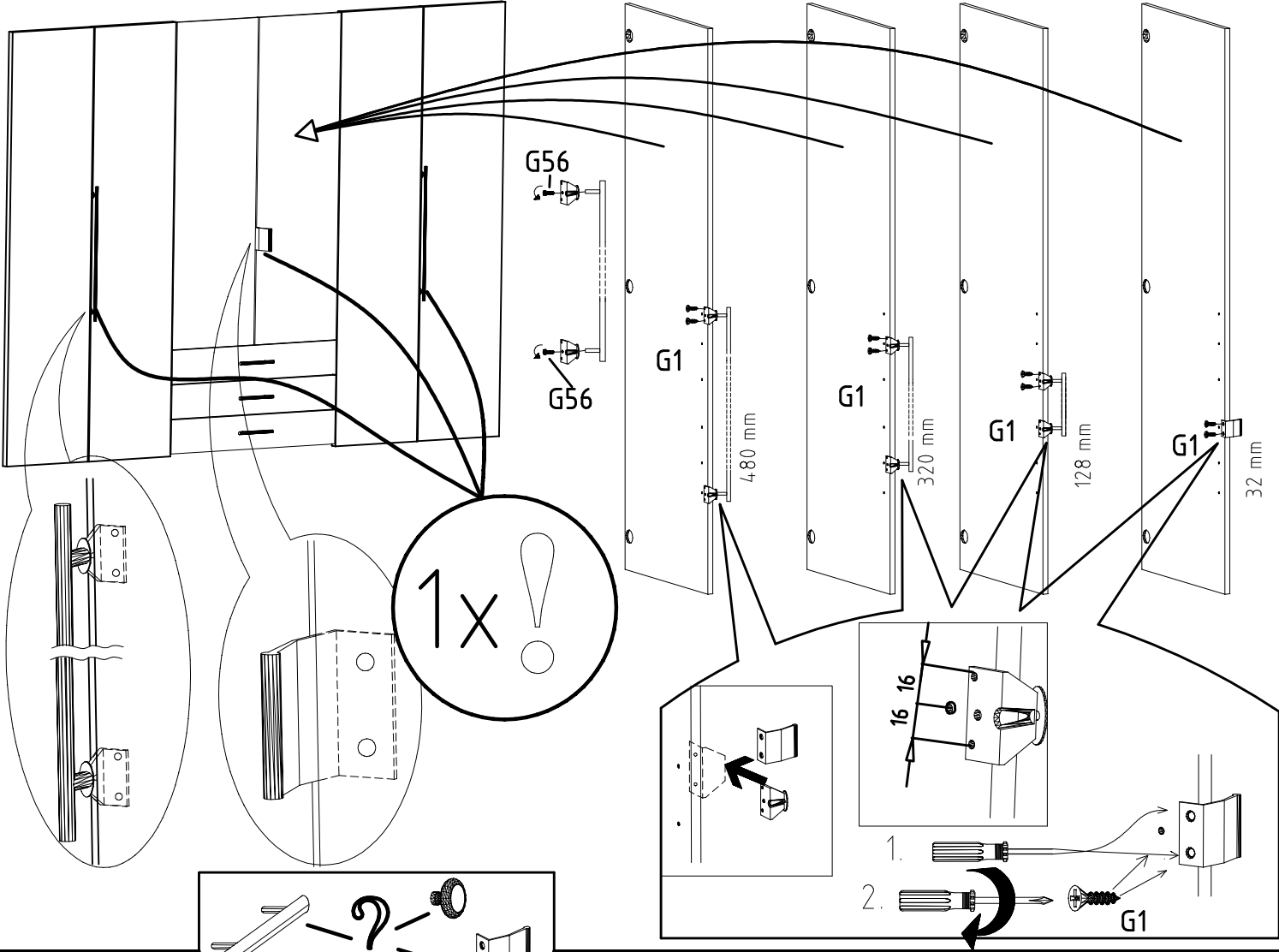
25

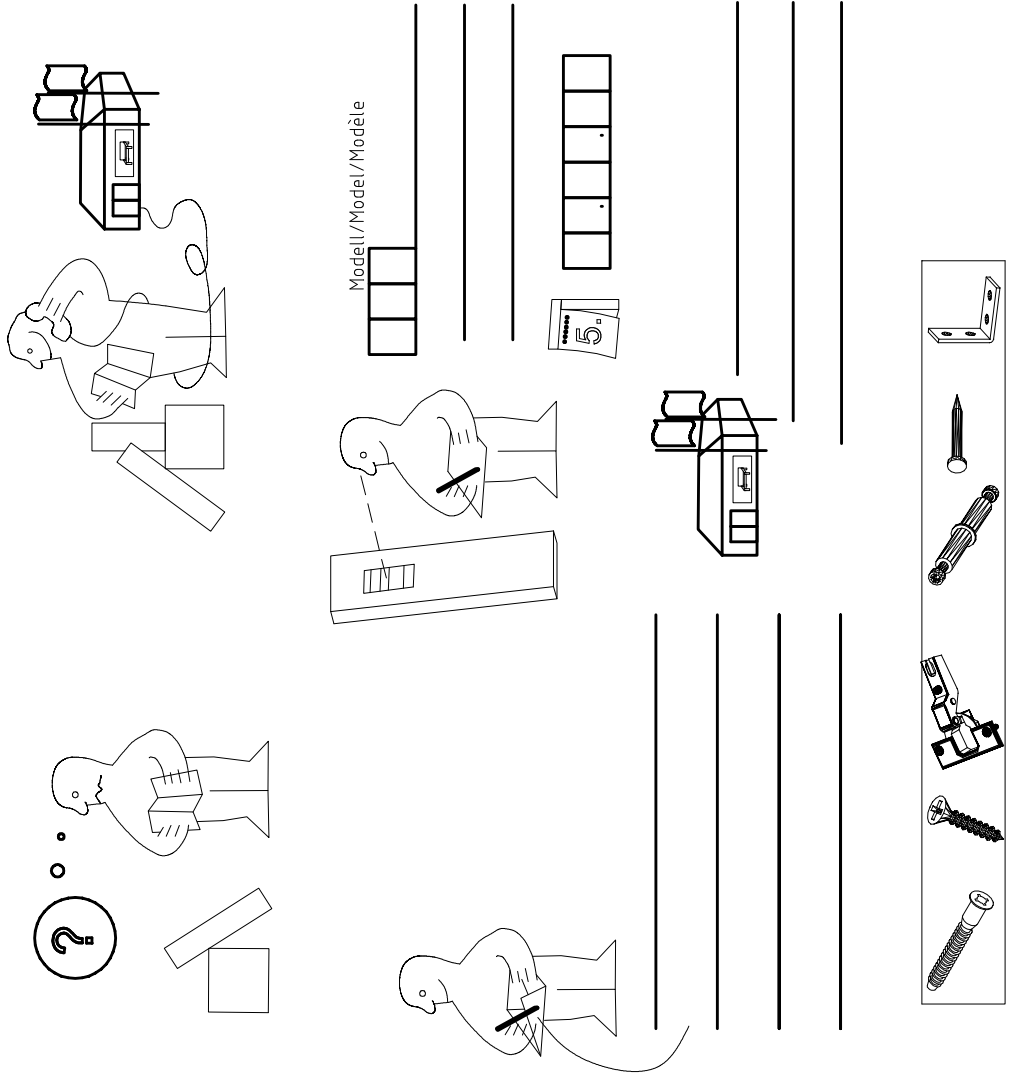
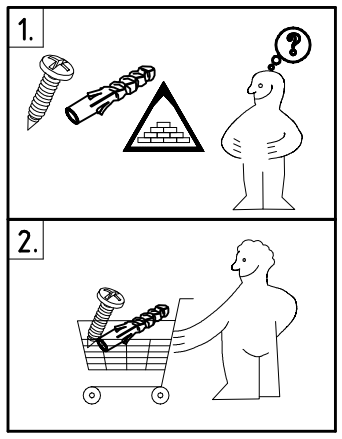
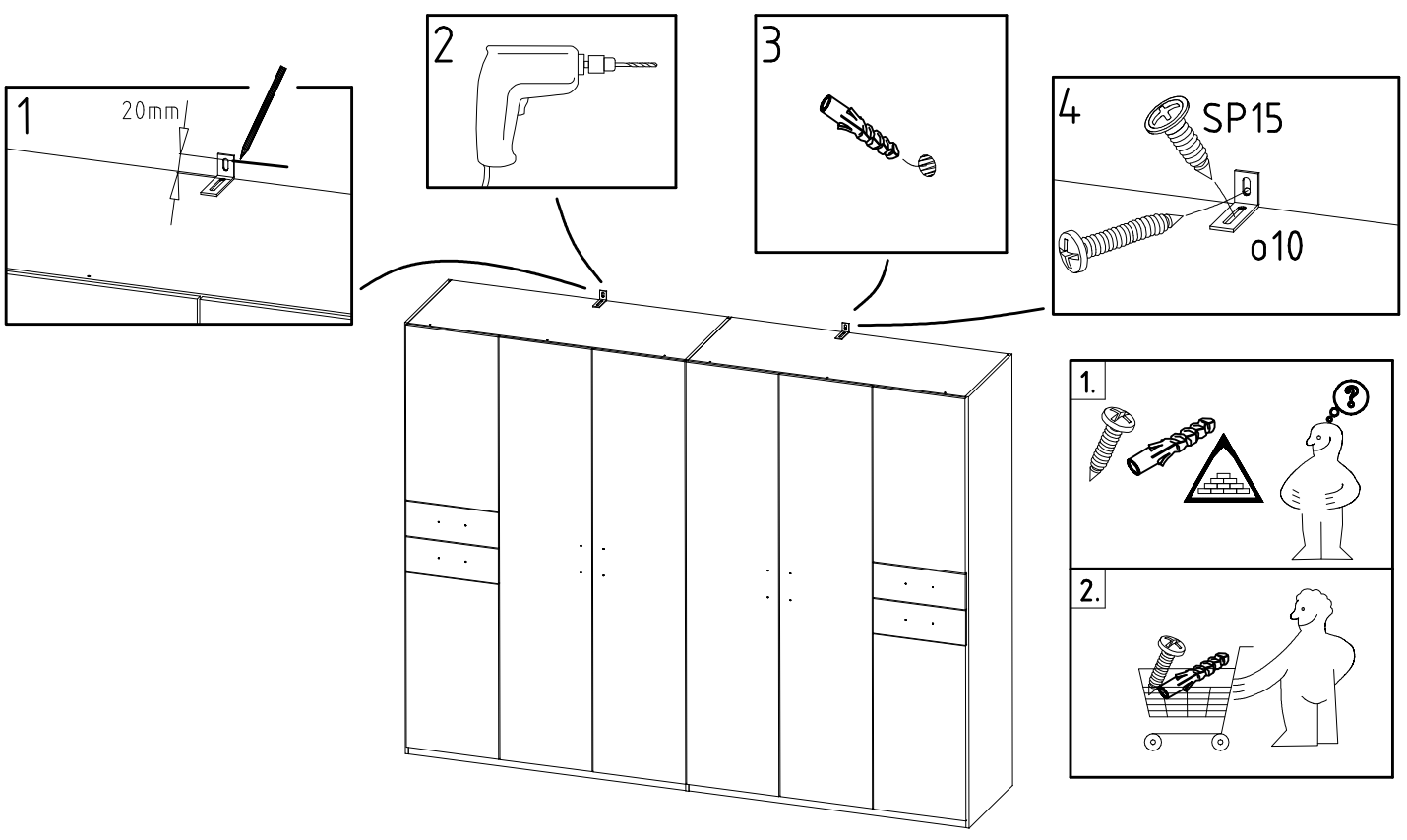
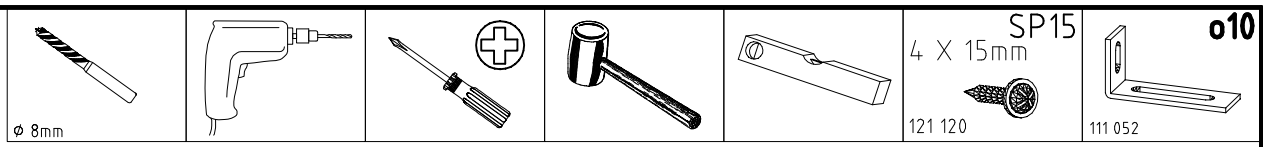
M4 x 9 mm **G8**

 111 015





3,5 x 15 mm 121 370	G1	4,0 x 12 mm 122 625	G56
------------------------	----	------------------------	-----





(121 370)	(G 1)	(4x)				

