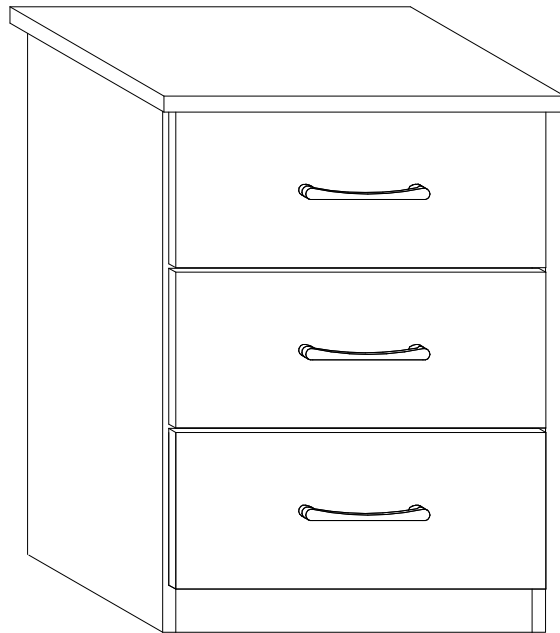
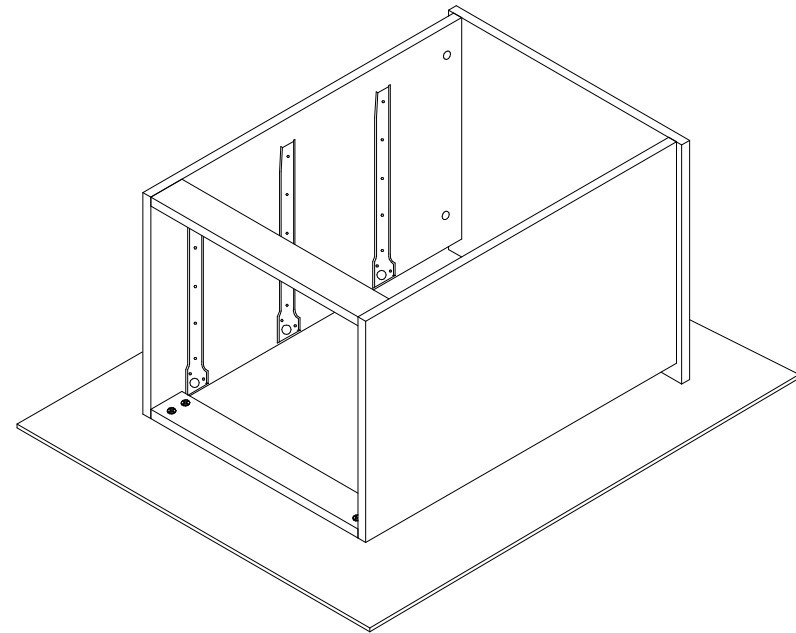
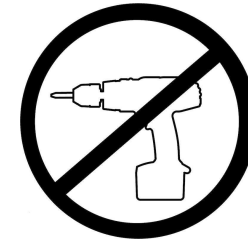
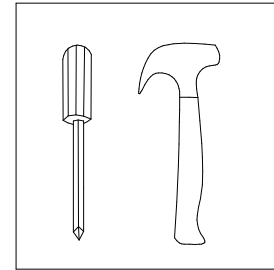


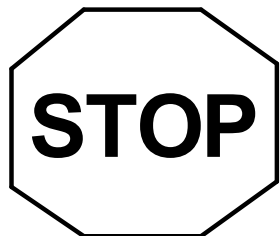
NIGHT STAND

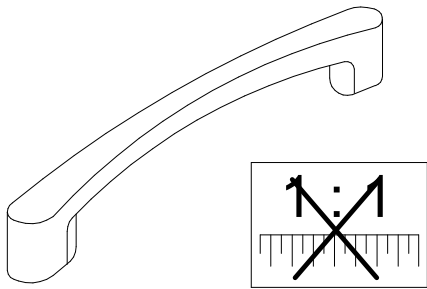


Required Tools : Screwdriver & Hammer



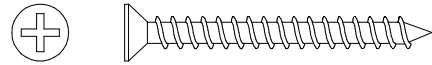
Please place on the carton while installing to prevent damage or scratches.





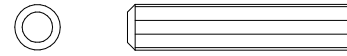
A **3PCS**

Plastic Handle



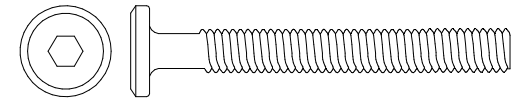
B **6PCS**

Handle Screw
M4 X 40mm



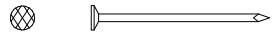
C **18PCS**

Wood Dowel
M6 X 30mm



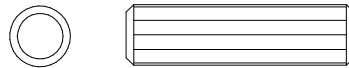
D **6PCS**

JCBC Bolt
M6 X 50mm



E **24PCS**

Nail



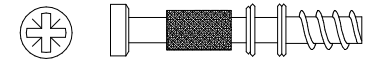
F **2PCS**

Wood Dowel
M8 X 30mm



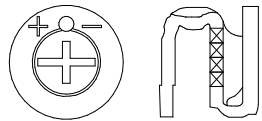
G **1PC**

Allen Key



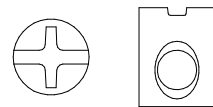
H **24PCS**

Cam Screw



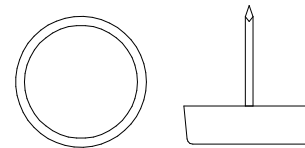
I **24PCS**

Cam Lock



J **6PCS**

Barrel Nut



K **4PCS**

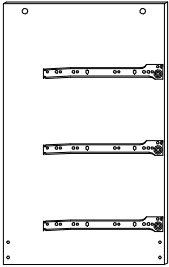
Nail Leg With Pin

1 : 1



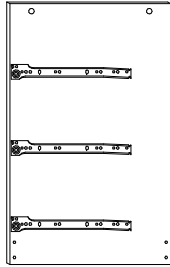
ASSEMBLY INSTRUCTION (PART) NIGHT STAND

1G



SIDE PANEL (R)
(1PC)

2G



SIDE PANEL (L)
(1PC)

3G

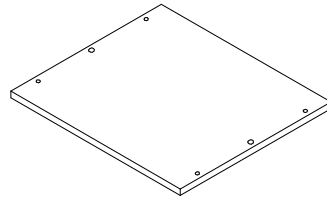
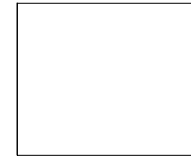


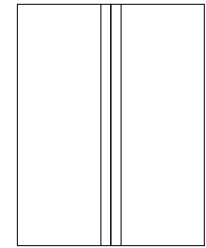
TABLE TOP
(1PC)

4G



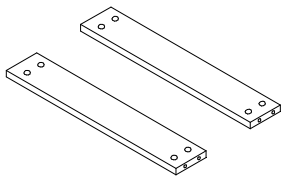
DRAWER PANEL
(3PCS)

5G



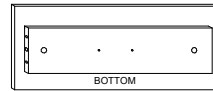
BACK PANEL
(1PC)

6G



FRONT & BACK
APRON (2PCS)

7G



DRAWER TOP (3PCS)

8G



DRAWER BACK PANEL
(3PCS)

9G



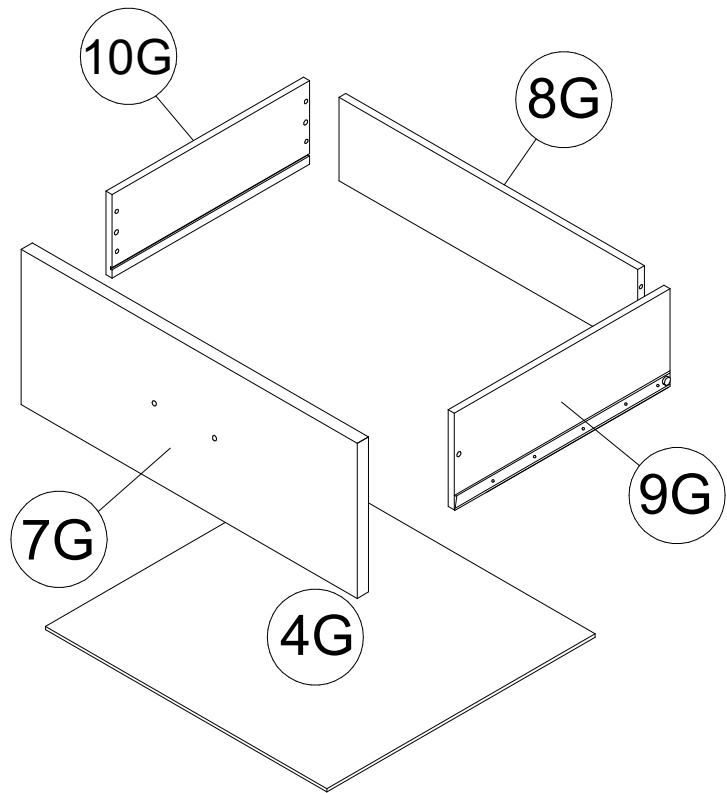
DRAWER SIDE PANEL
R (3PCS)

10G

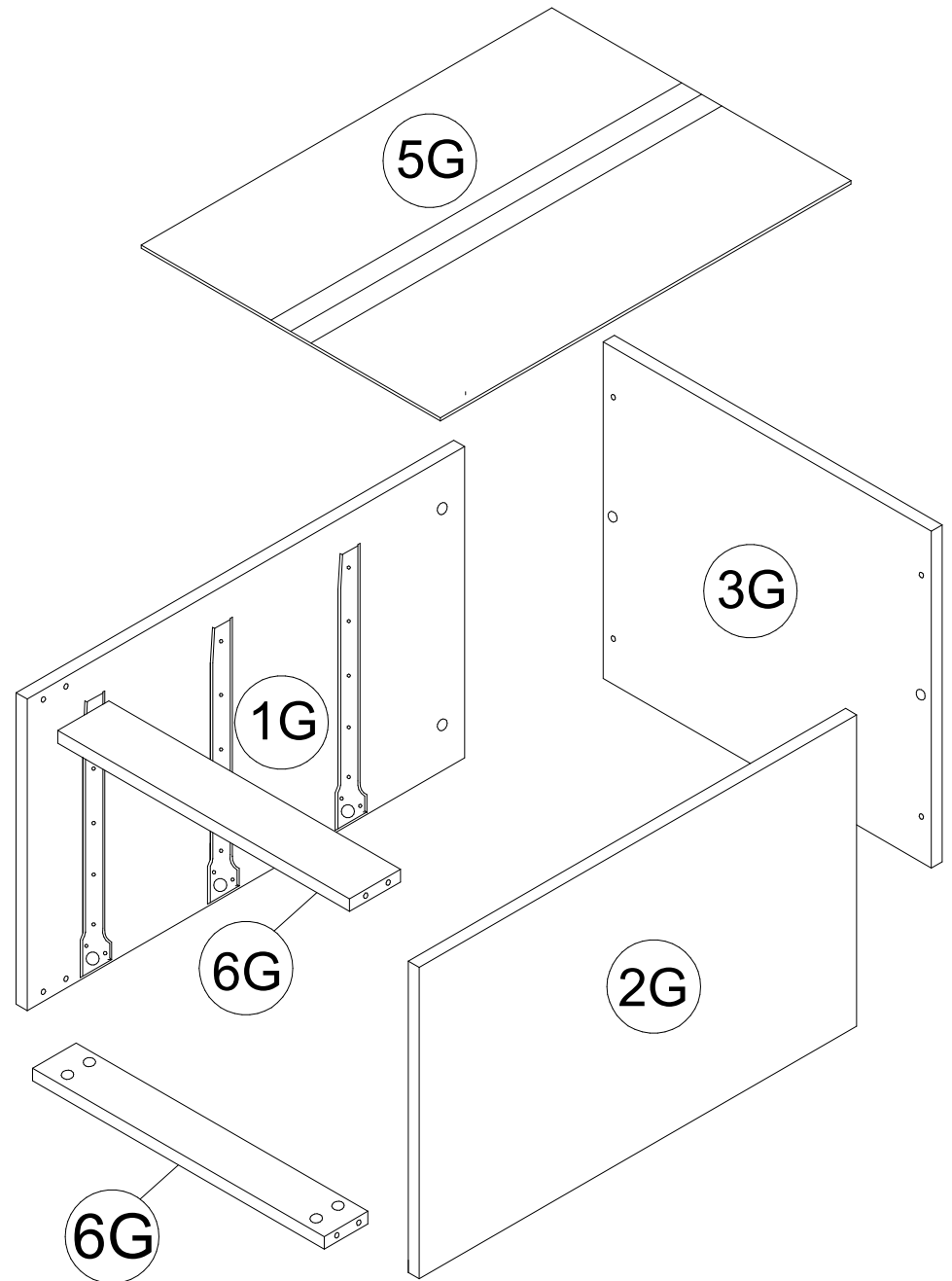


DRAWER SIDE PANEL
L (3PCS)

NIGHT STAND



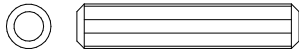
3X Drawer

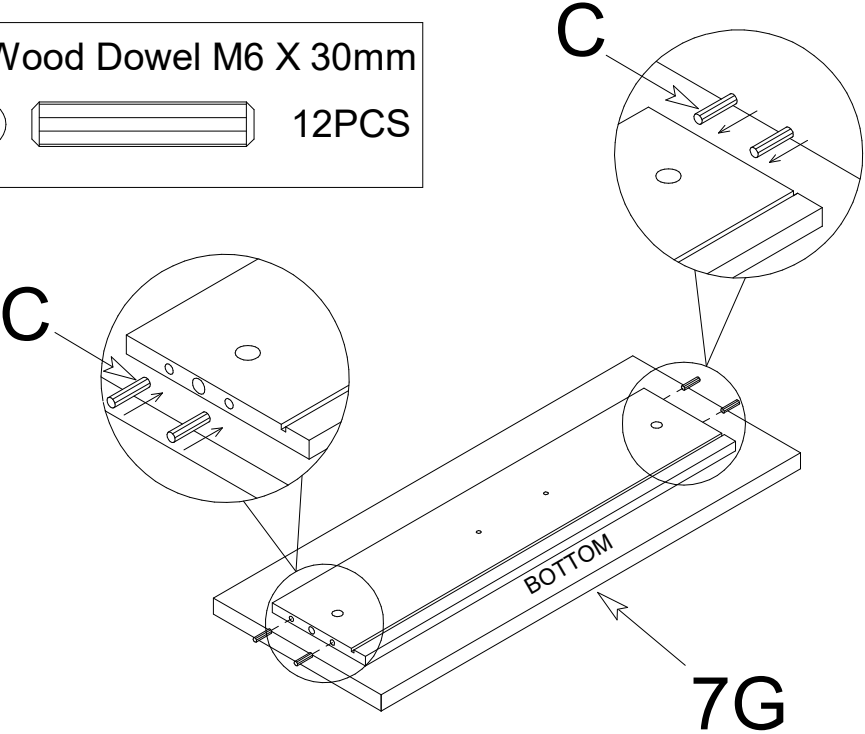


ASSEMBLY INSTRUCTION NIGHT STAND

STEP 1.


3X Drawer

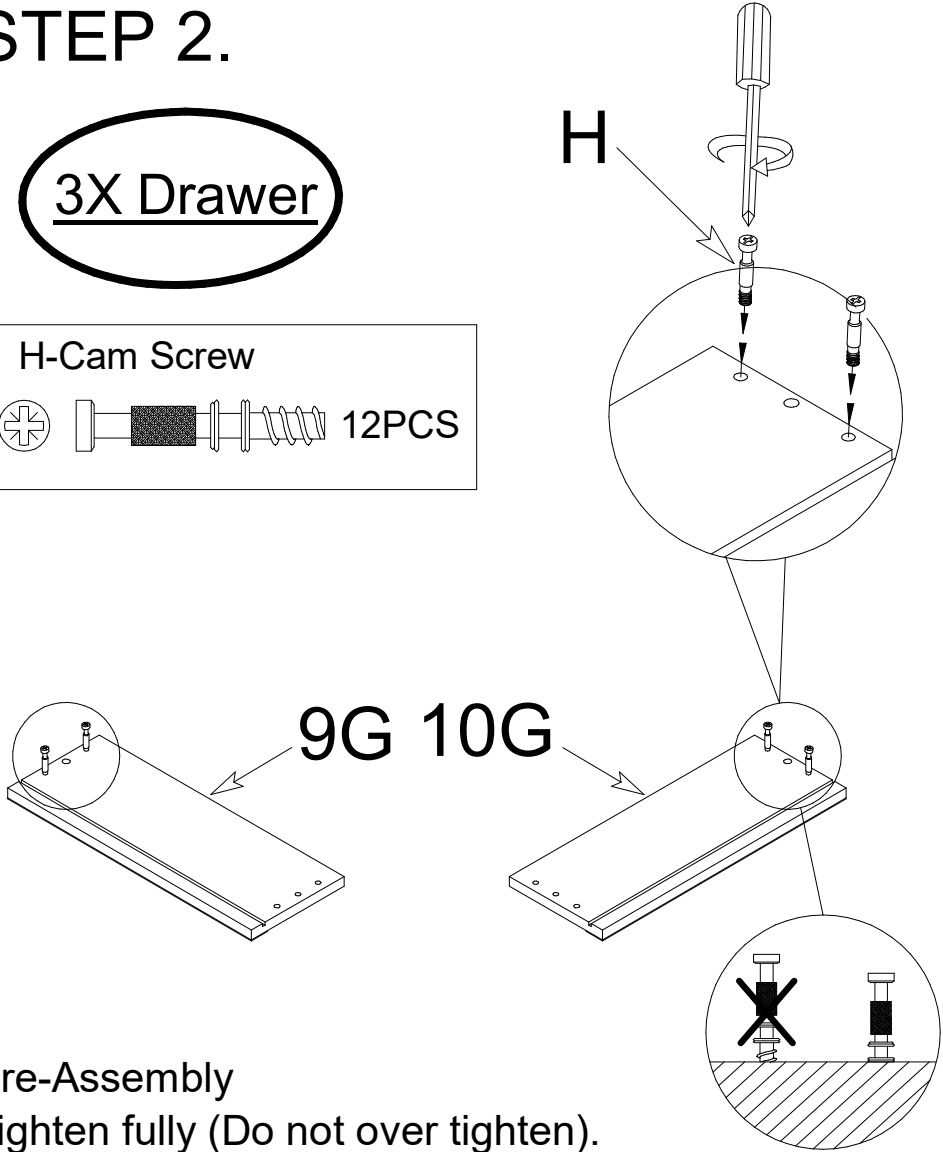
C-Wood Dowel M6 X 30mm
 12PCS



STEP 2.

3X Drawer

H-Cam Screw
 12PCS



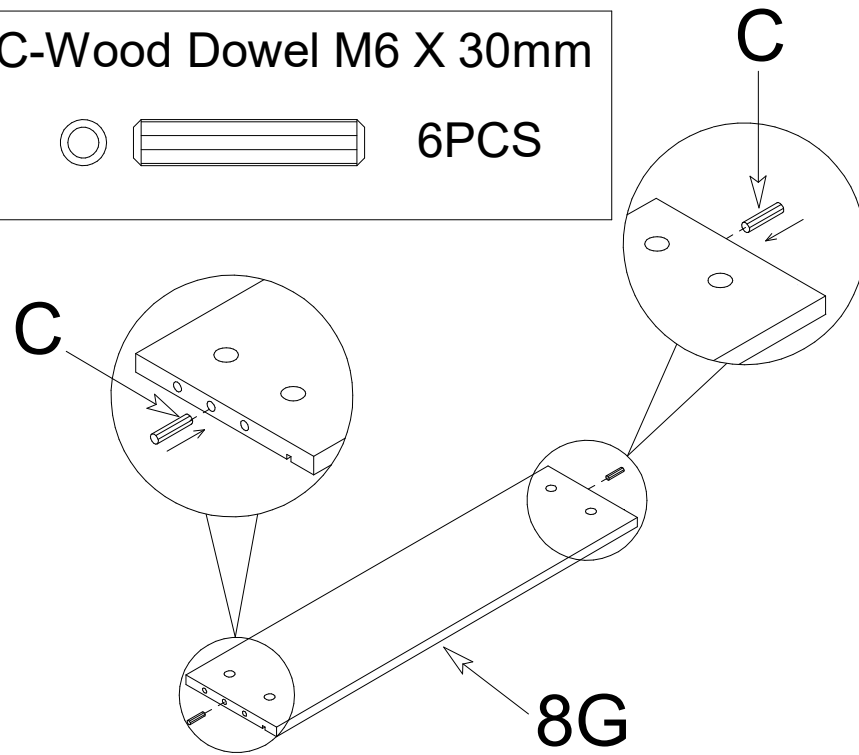
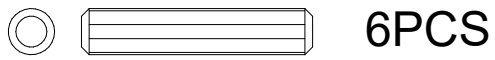
Pre-Assembly
Tighten fully (Do not over tighten).

ASSEMBLY INSTRUCTION NIGHT STAND

STEP 3.

3X Drawer

C-Wood Dowel M6 X 30mm



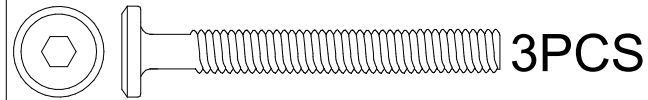
Pre-Assembly
Insert wood dowel in predrilled hole.

STEP 4.

3X Drawer

10G

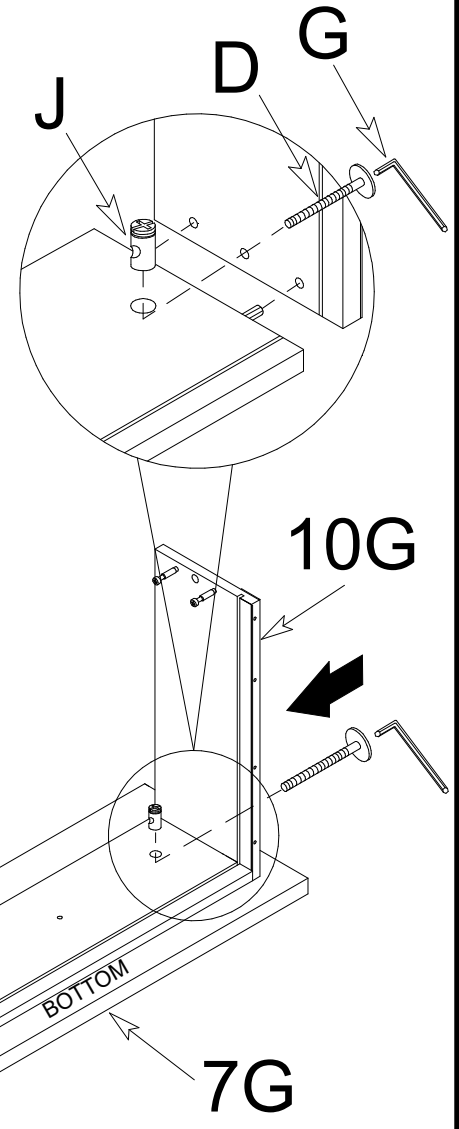
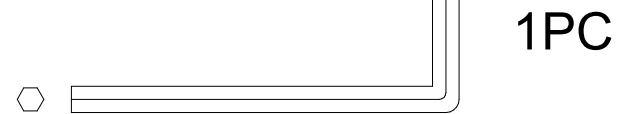
D-JCBC Bolt M6 X 50mm



J-Barrel Nut



G-Allen Key



Tighten fully. (Do not over tighten).

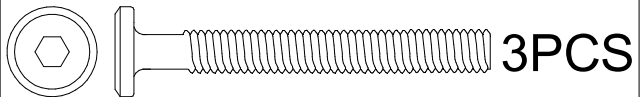
ASSEMBLY INSTRUCTION NIGHT STAND

STEP 5.

3X Drawer

9G

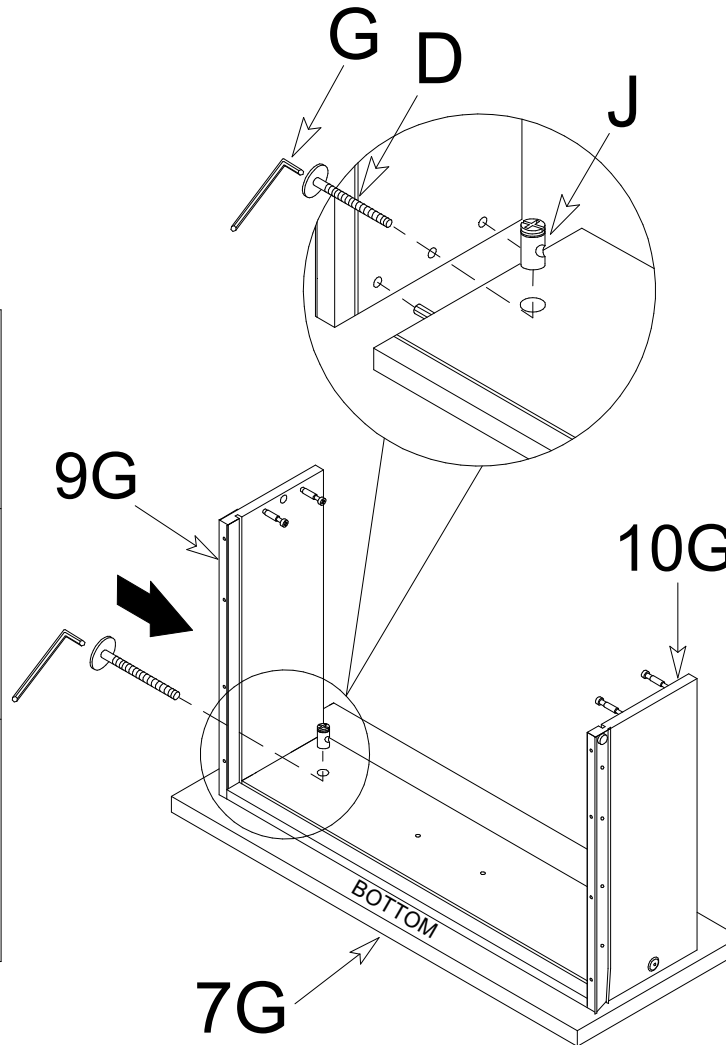
D-JCBC Bolt M6 X 50mm



J-Barrel Nut



G-Allen Key

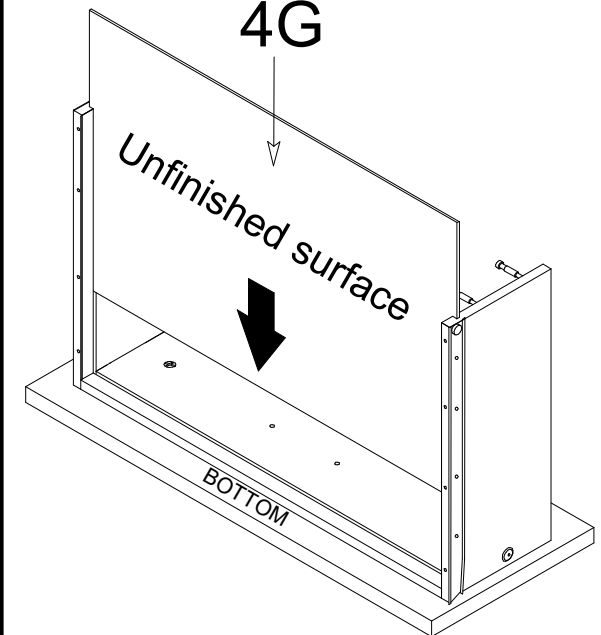


Tighten fully. (Do not over tighten).

STEP 6.

3X Drawer

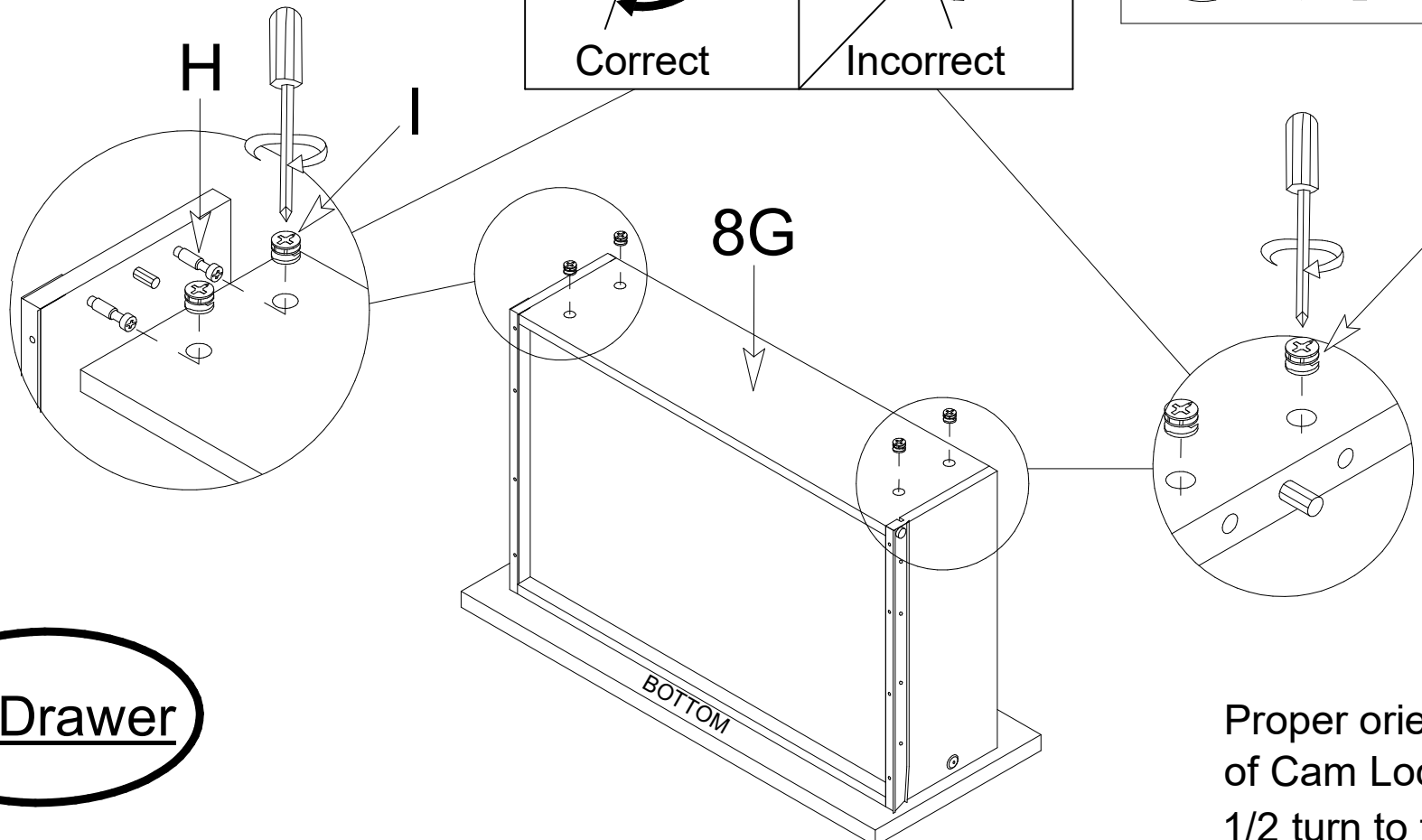
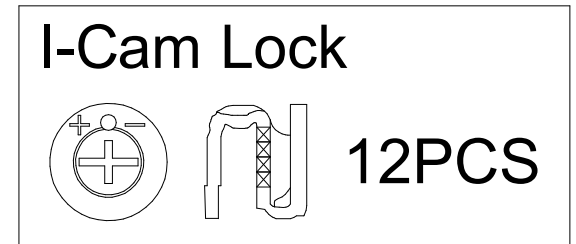
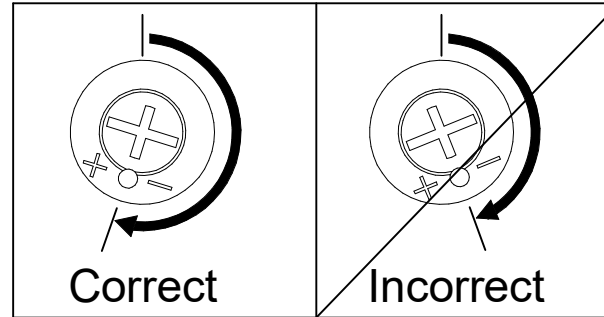
4G



ASSEMBLY INSTRUCTION NIGHT STAND

STEP 7.

Tighten fully. (Do not over tighten).



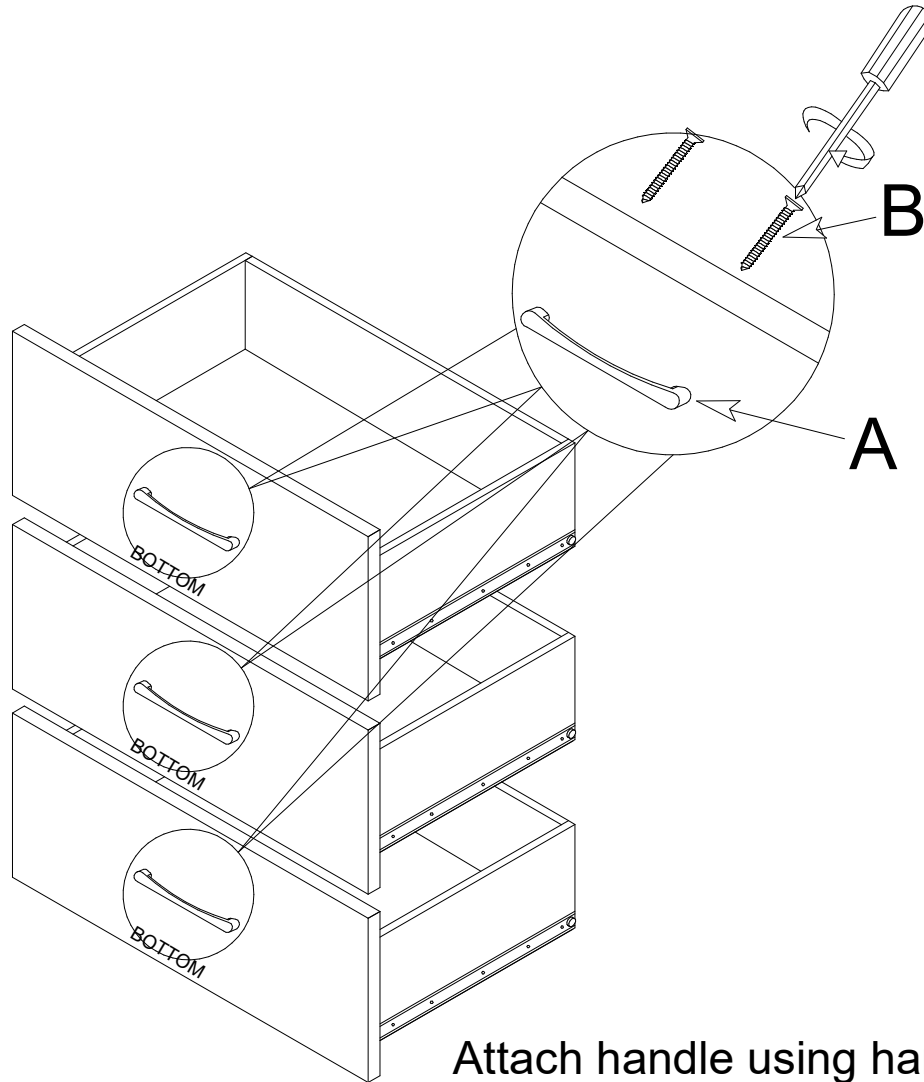
3X Drawer

Proper orientation
of Cam Lock (I).
1/2 turn to fully lock.

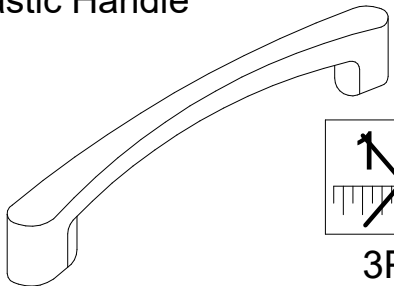
ASSEMBLY INSTRUCTION NIGHT STAND

STEP 8.

3X Drawer

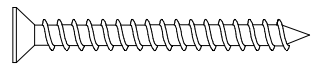


A-Plastic Handle



~~1:1~~
3PCS

B-Handle Screw M4 X 40mm

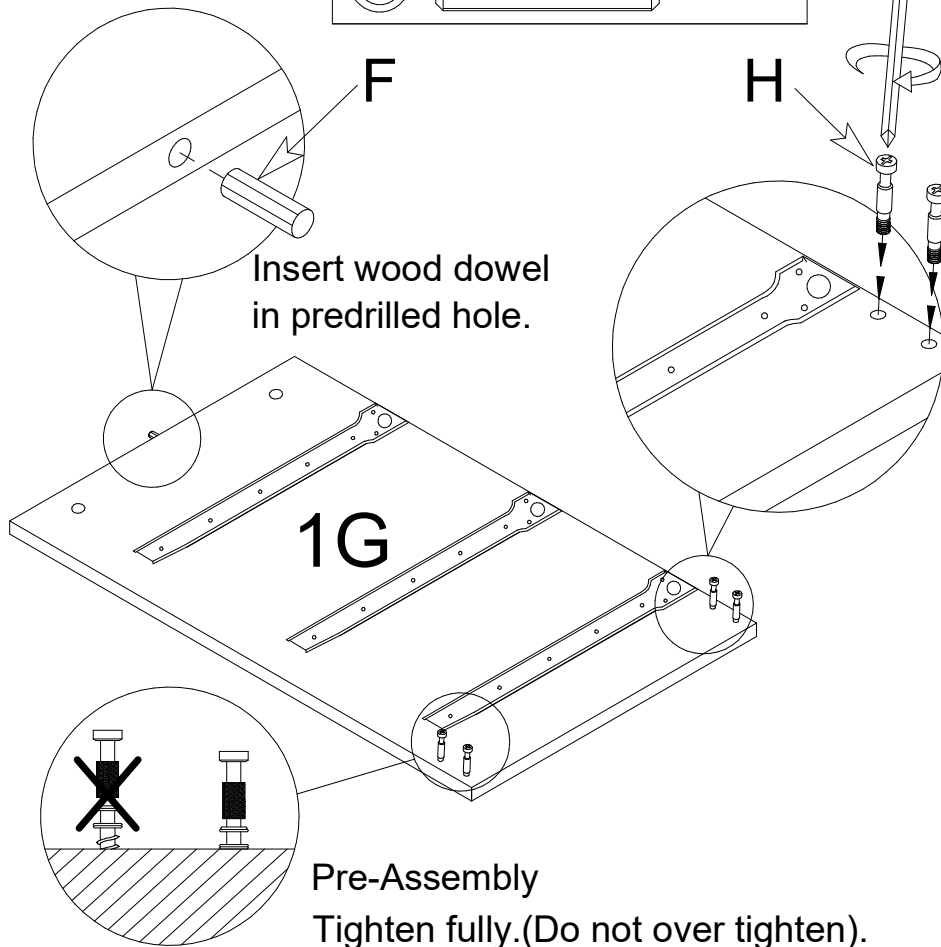
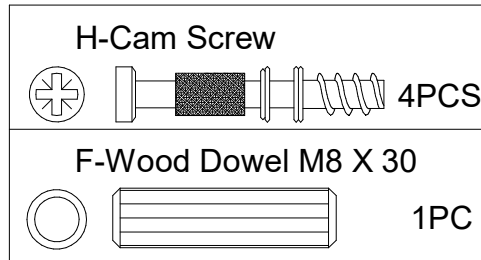


6PCS

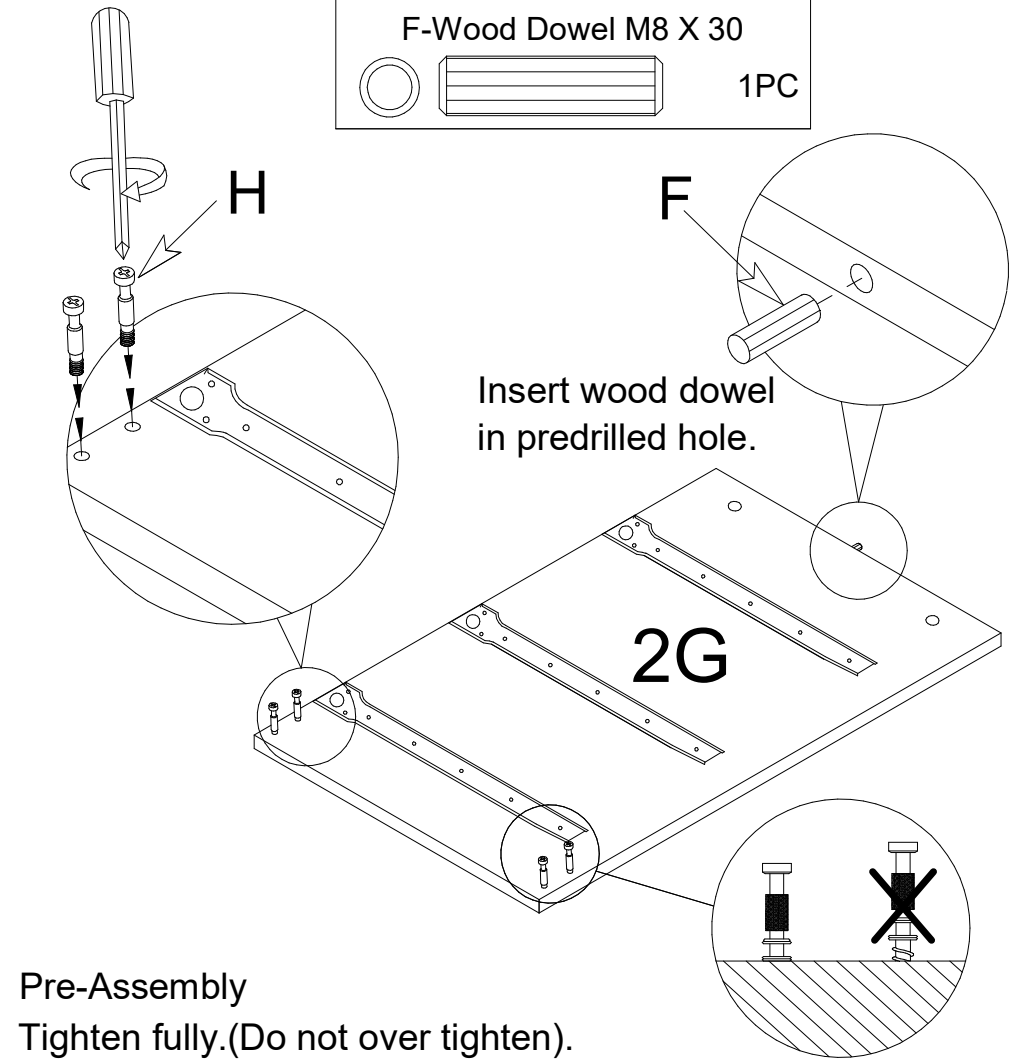
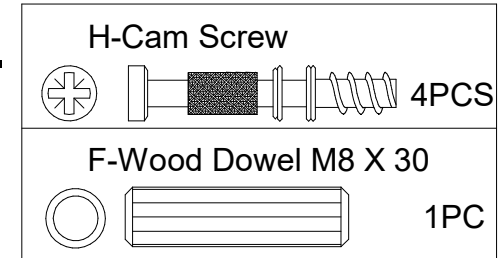
Attach handle using handle screw (B).

ASSEMBLY INSTRUCTION NIGHT STAND

STEP 9.

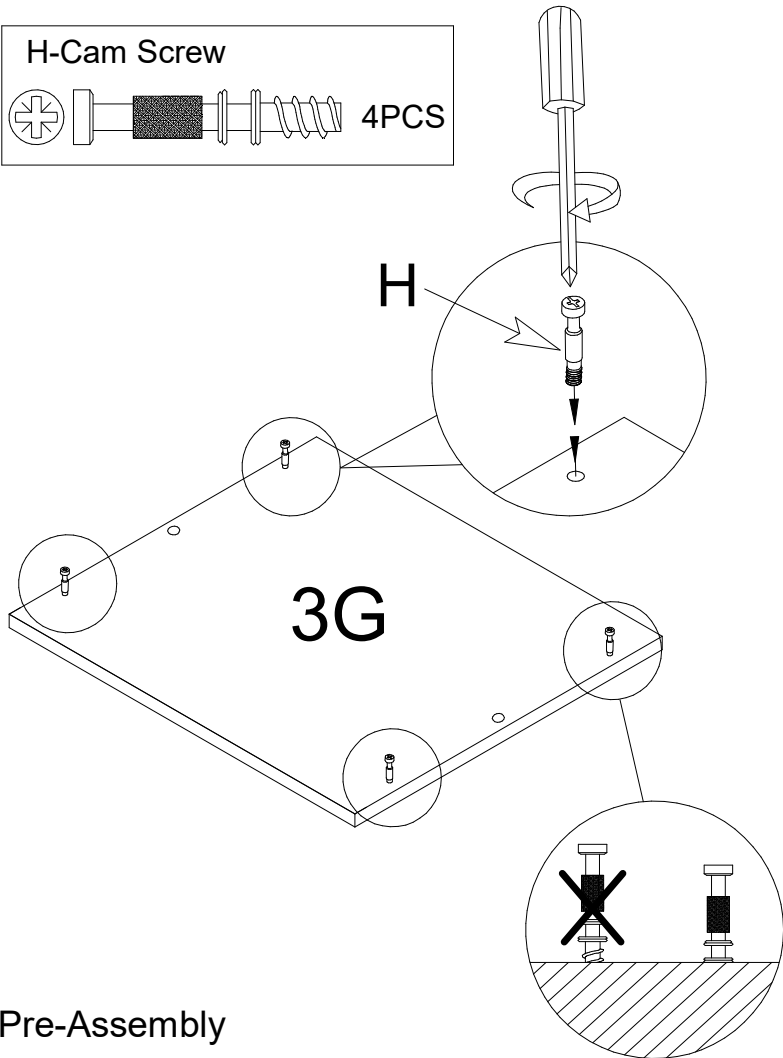
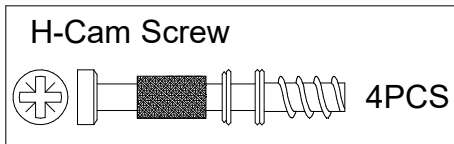


STEP 10.



ASSEMBLY INSTRUCTION NIGHT STAND

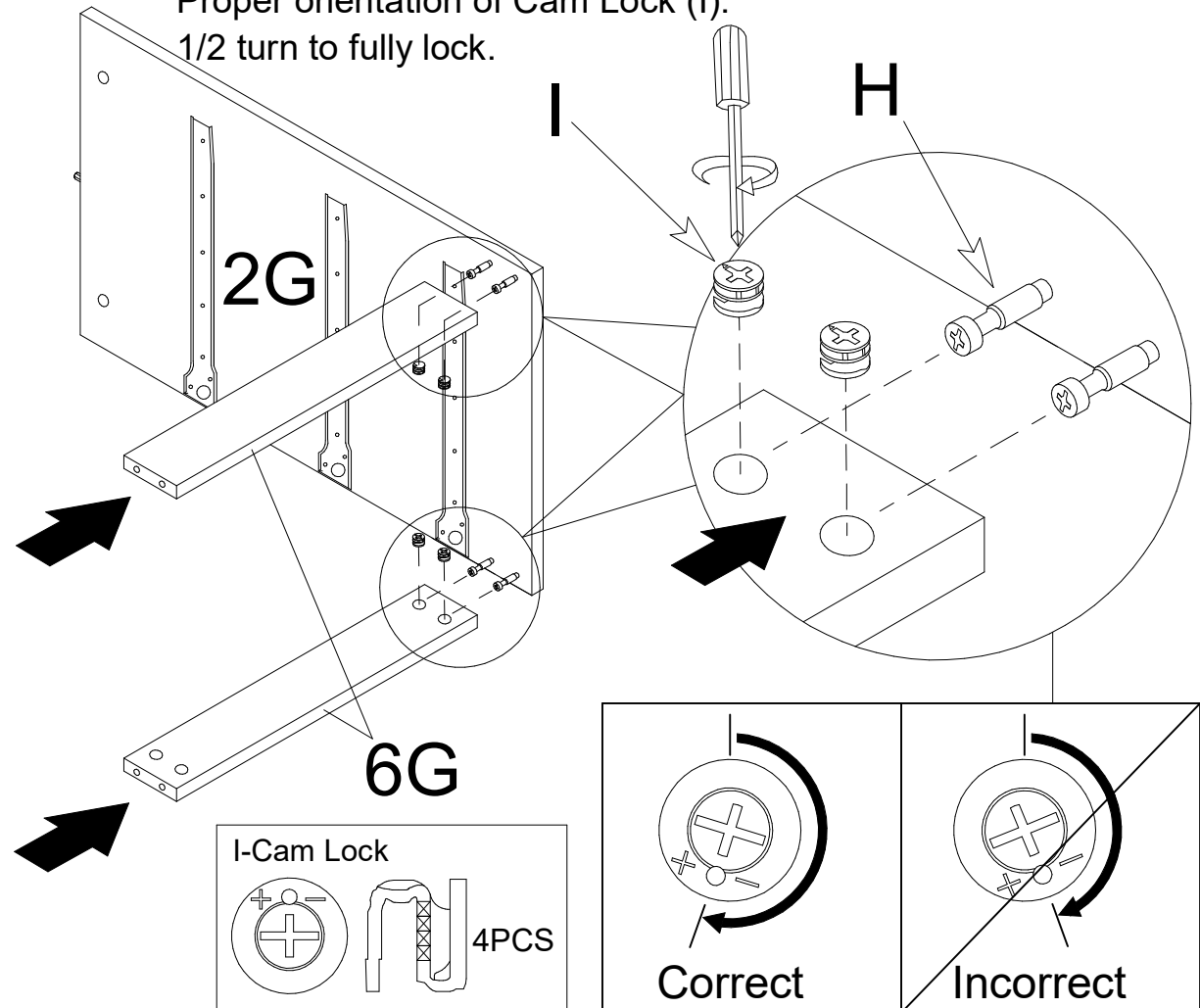
STEP 11.



Pre-Assembly
Tighten fully. (Do not over tighten).

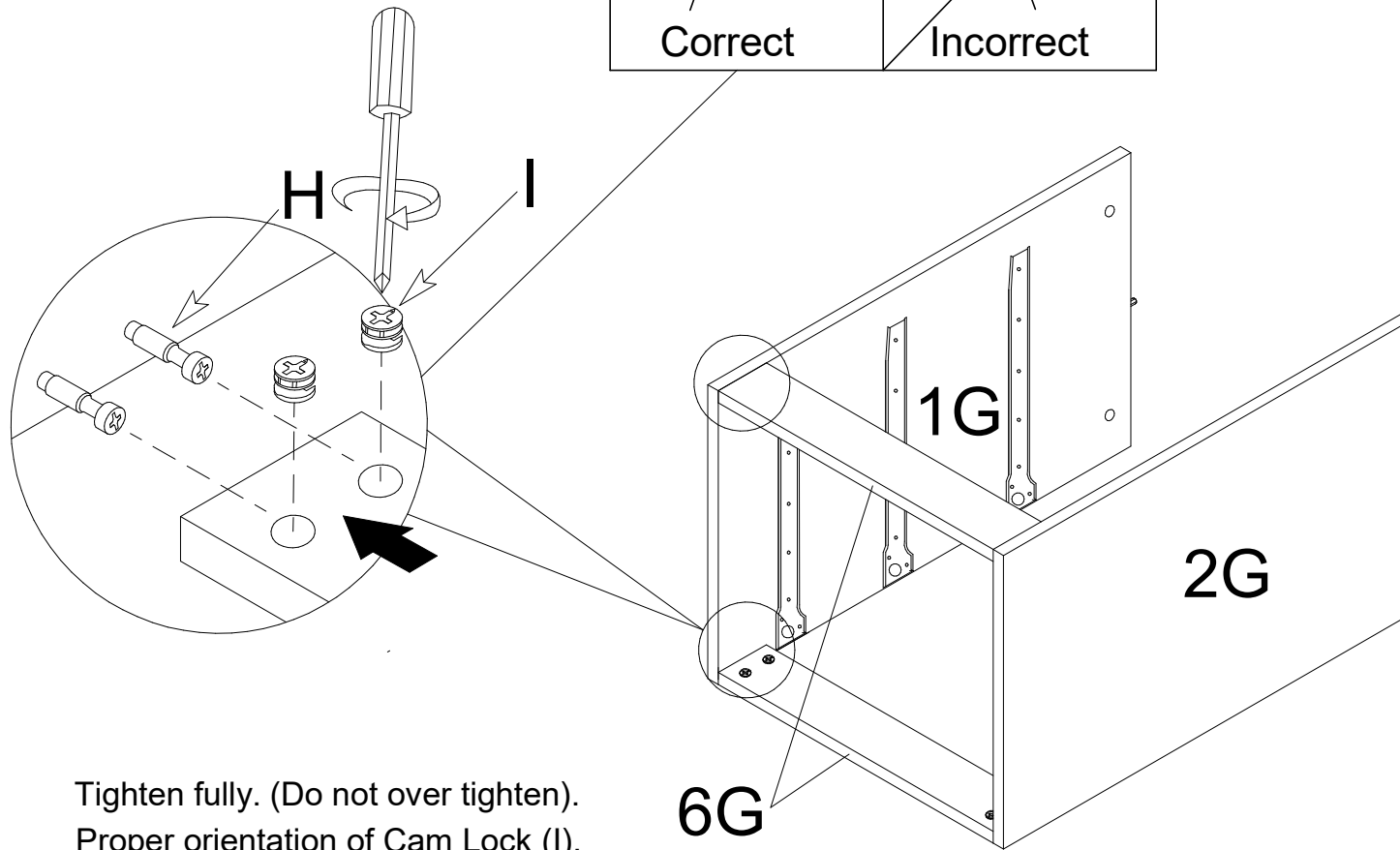
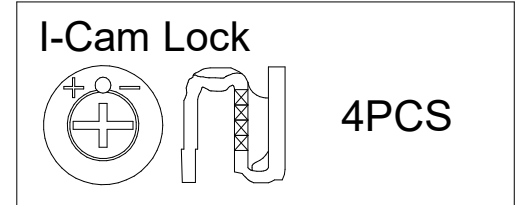
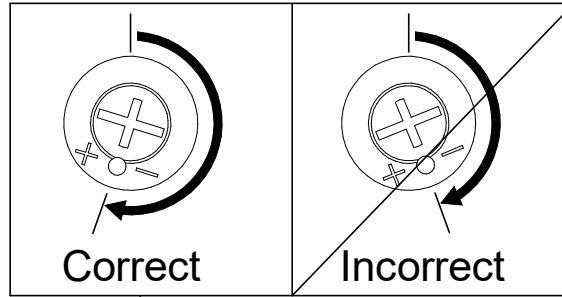
STEP 12.

Tighten fully. (Do not over tighten).
Proper orientation of Cam Lock (I).
1/2 turn to fully lock.



ASSEMBLY INSTRUCTION NIGHT STAND

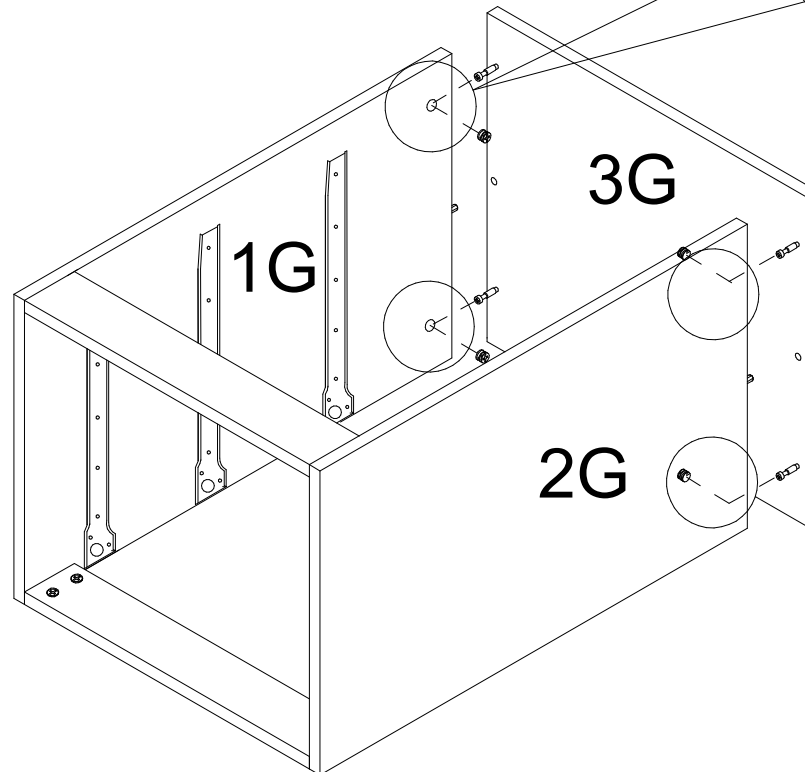
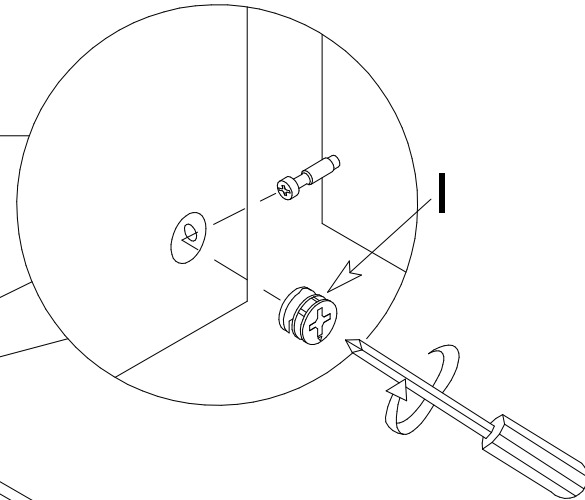
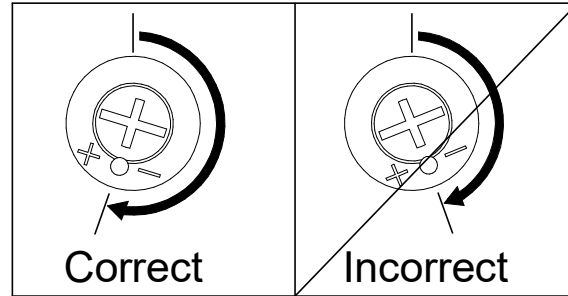
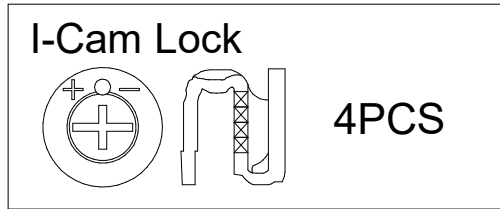
STEP 13.



Tighten fully. (Do not over tighten).
Proper orientation of Cam Lock (I).
1/2 turn to fully lock.

ASSEMBLY INSTRUCTION NIGHT STAND

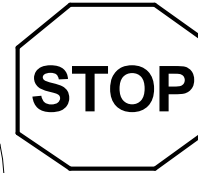
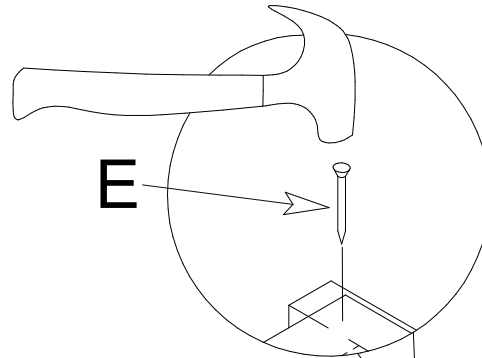
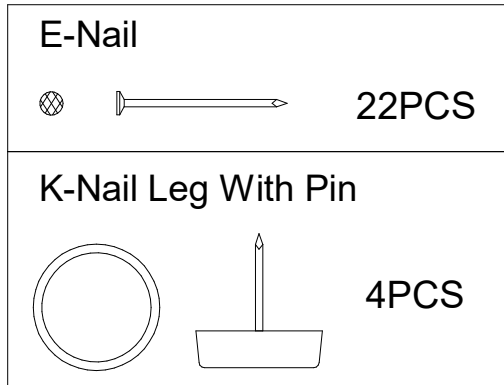
STEP 14.



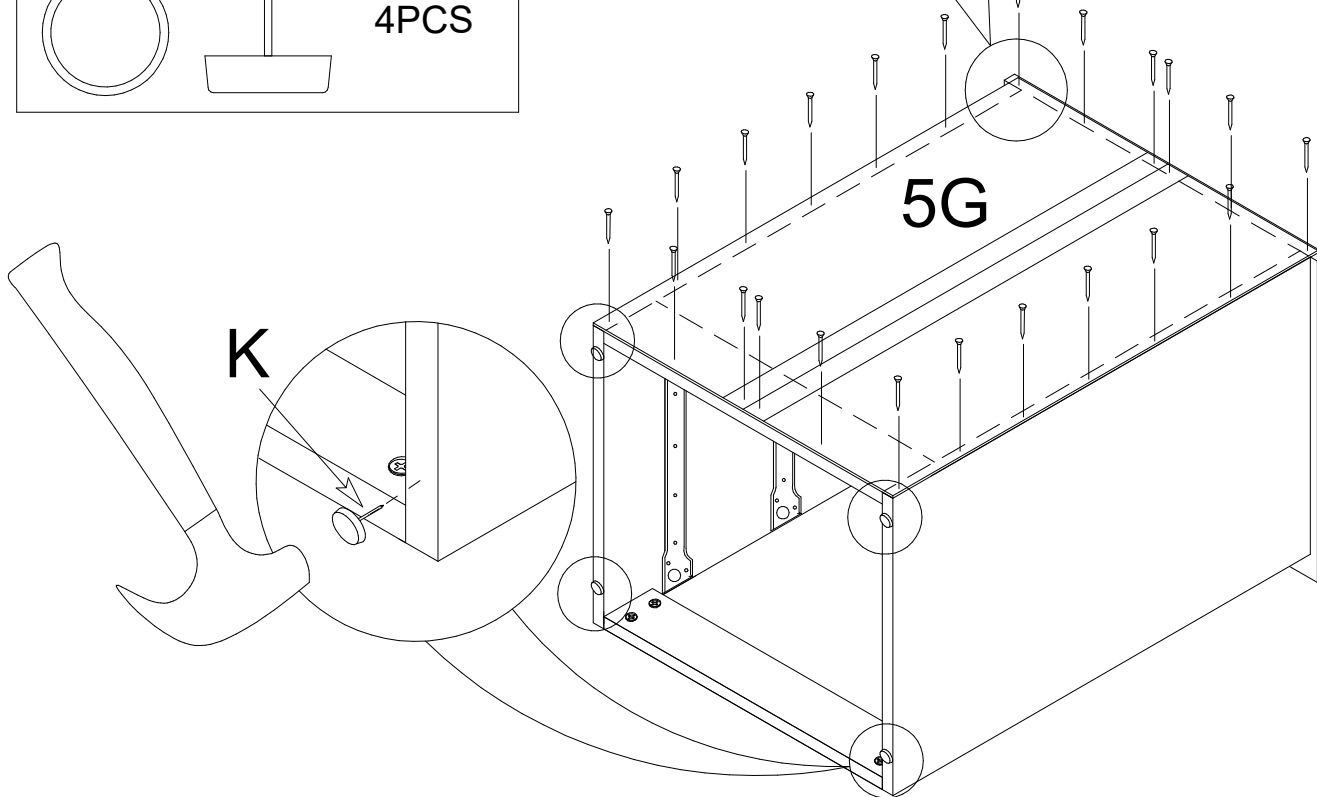
Tighten fully. (Do not over tighten).
Proper orientation of Cam Lock (I).
1/2 turn to fully lock.

ASSEMBLY INSTRUCTION NIGHT STAND

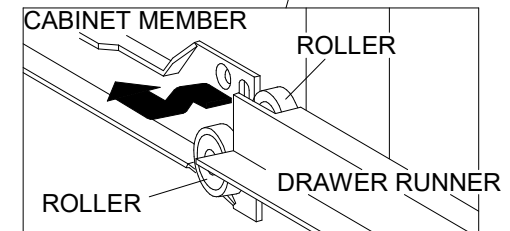
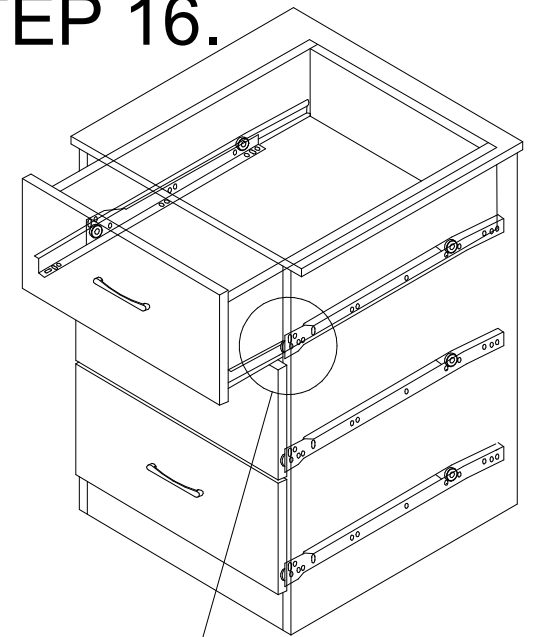
STEP 15.



Please make sure unfinished surface facing upwards before hammering the nails.



STEP 16.



Put in drawer on the track.