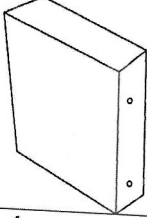
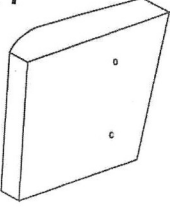
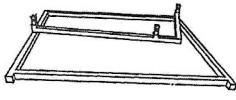
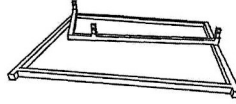





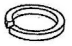
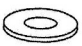

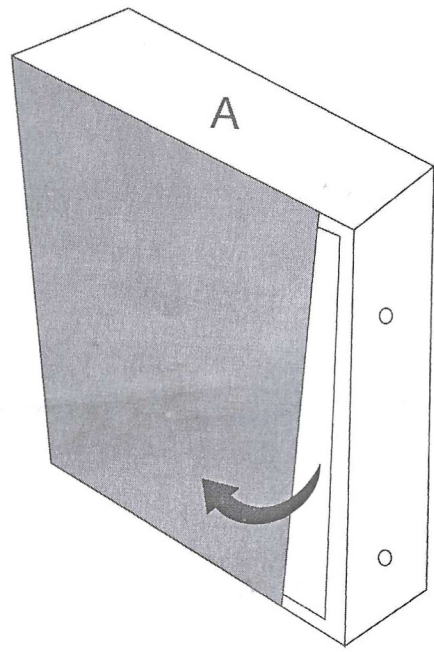


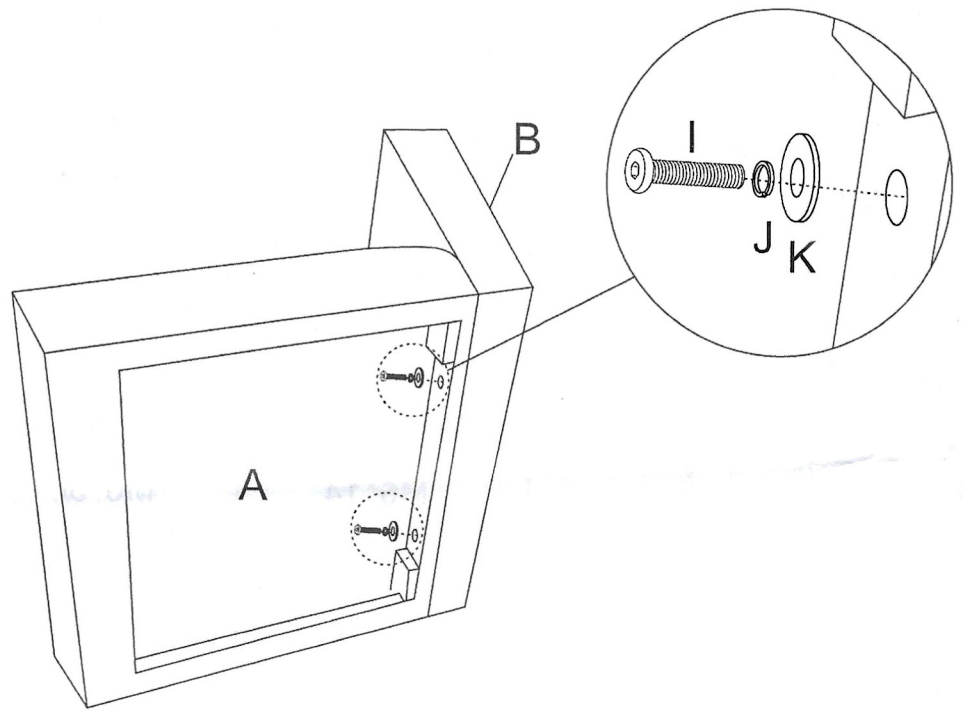
ASSEMBLY INSTRUCTIONS

Ax1 	Bx1 	Cx1 	L Dx1 	R Ex1 
Fx1 	Gx1 	Hx6  M6*14	Ix6  M6*50	Jx6 
Kx6 	Mx1 			

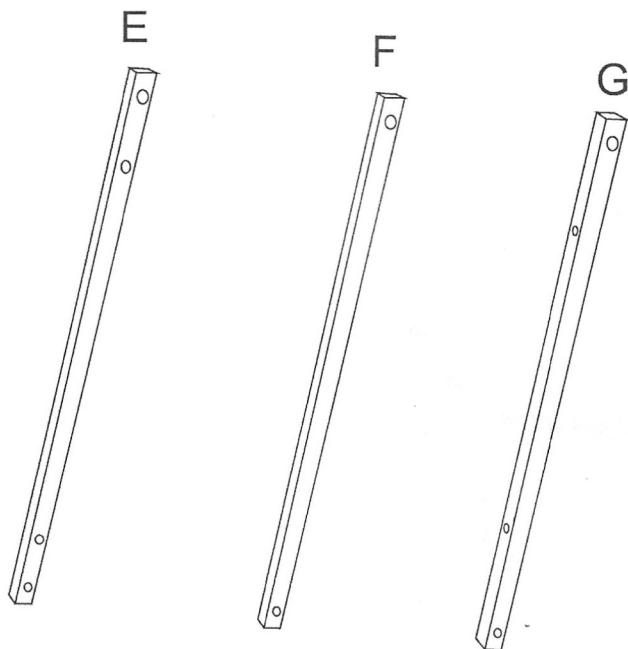
step1



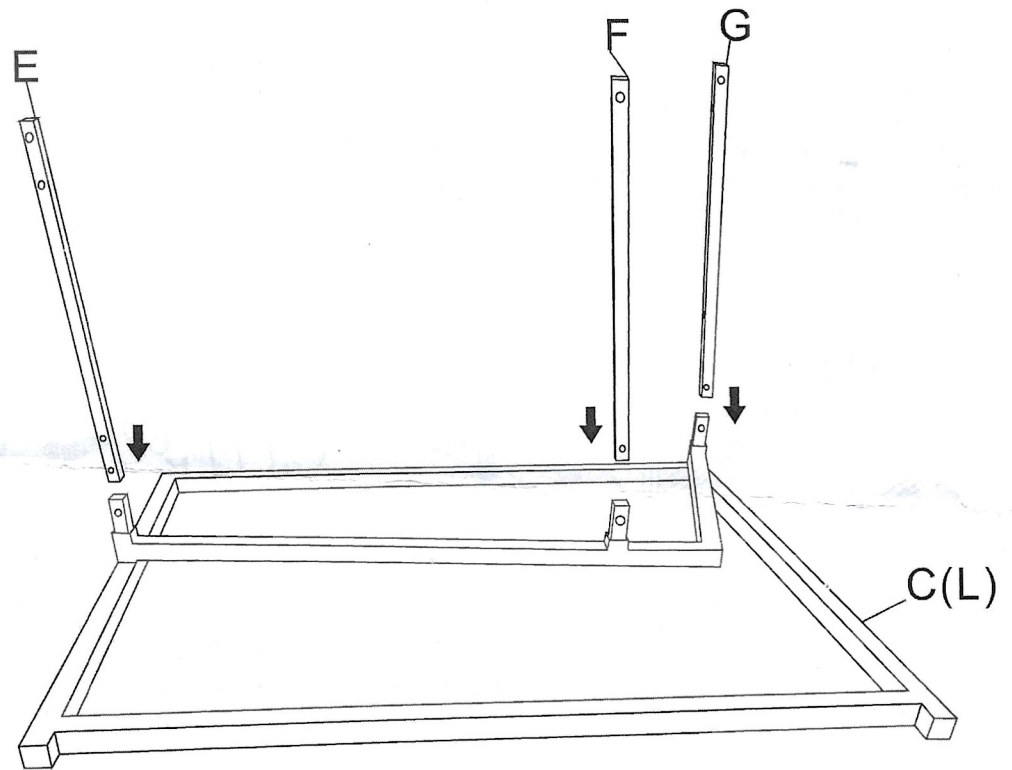
step2



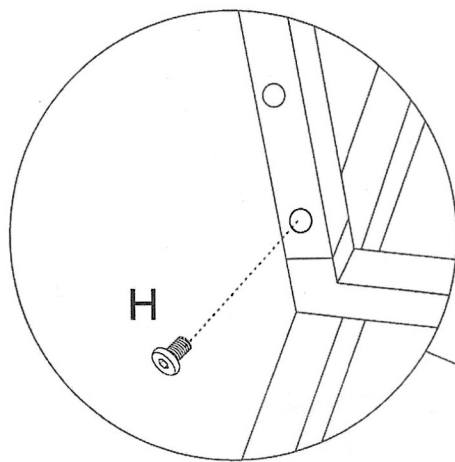
step3



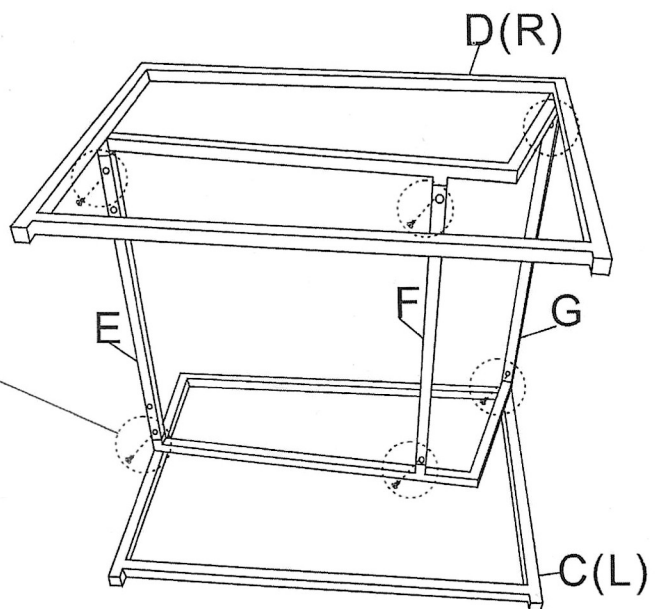
step4



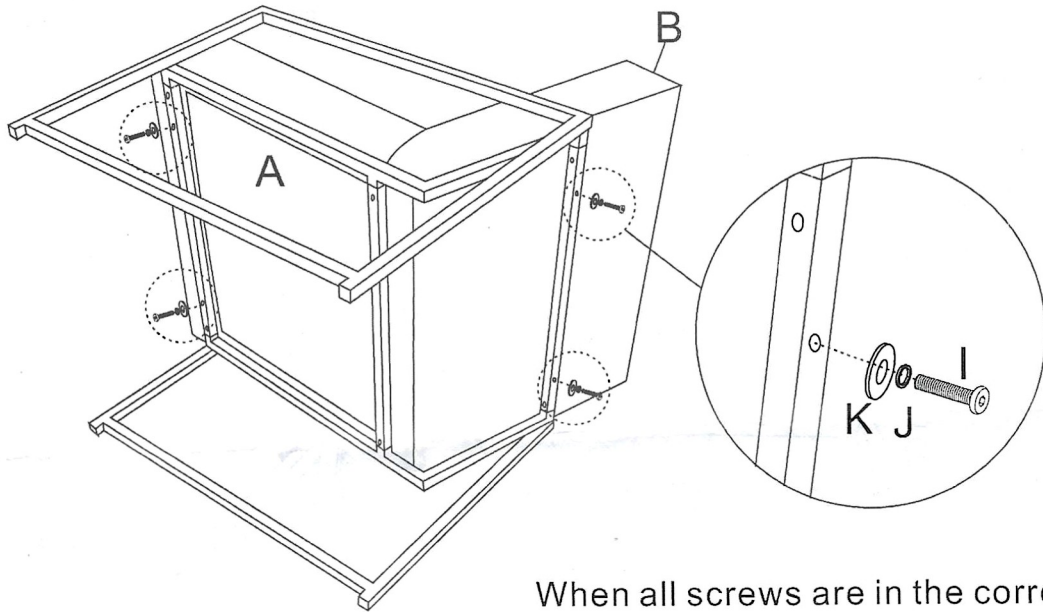
step5



70% pre-screwed.



step6



When all screws are in the corresponding position, tighten all the screws.

step7

