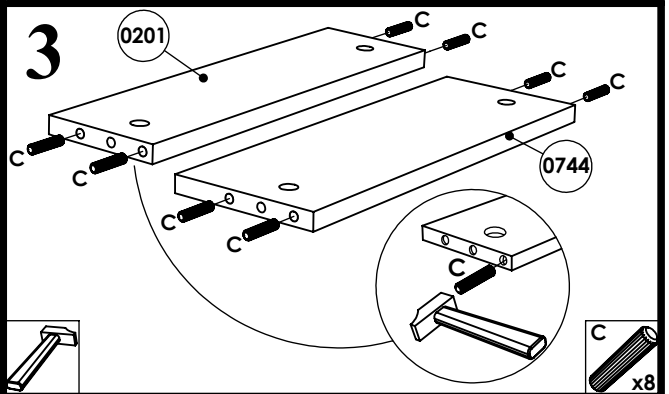
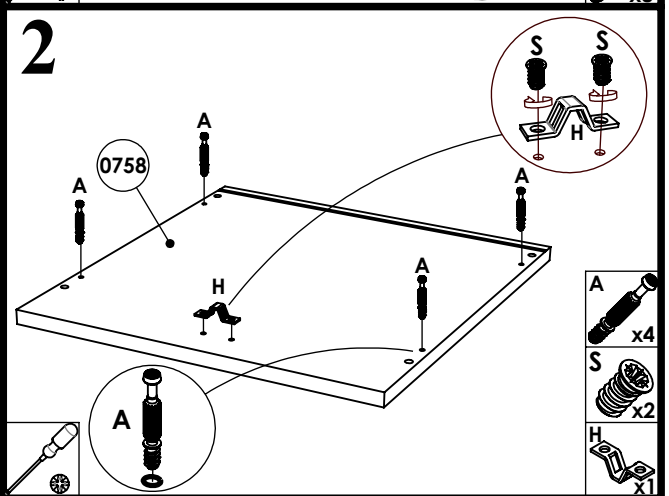
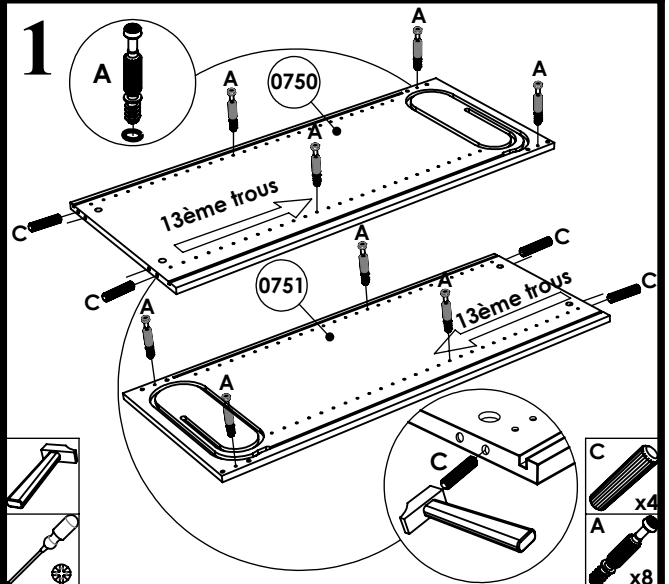
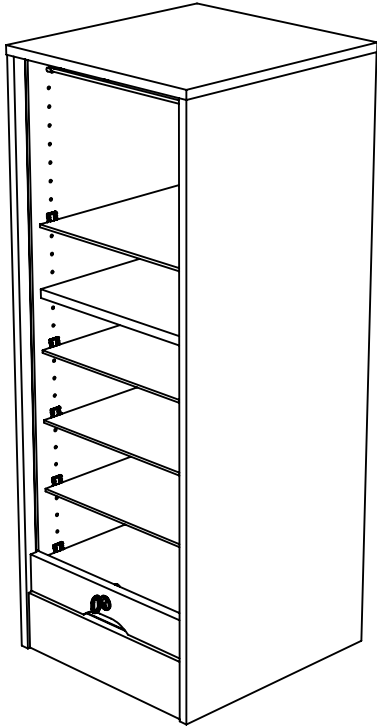


CLASSEUR RIDEAU 110 SIMPLE



<b>A</b> x12	<b>B</b> x12	<b>C</b> x12	<b>F</b> x20	<b>G</b> x1	<b>H</b> x1	<b>J</b> x1	<b>K</b> x4	<b>L</b> x2
<b>S</b> x4	<b>UP</b> x1							

