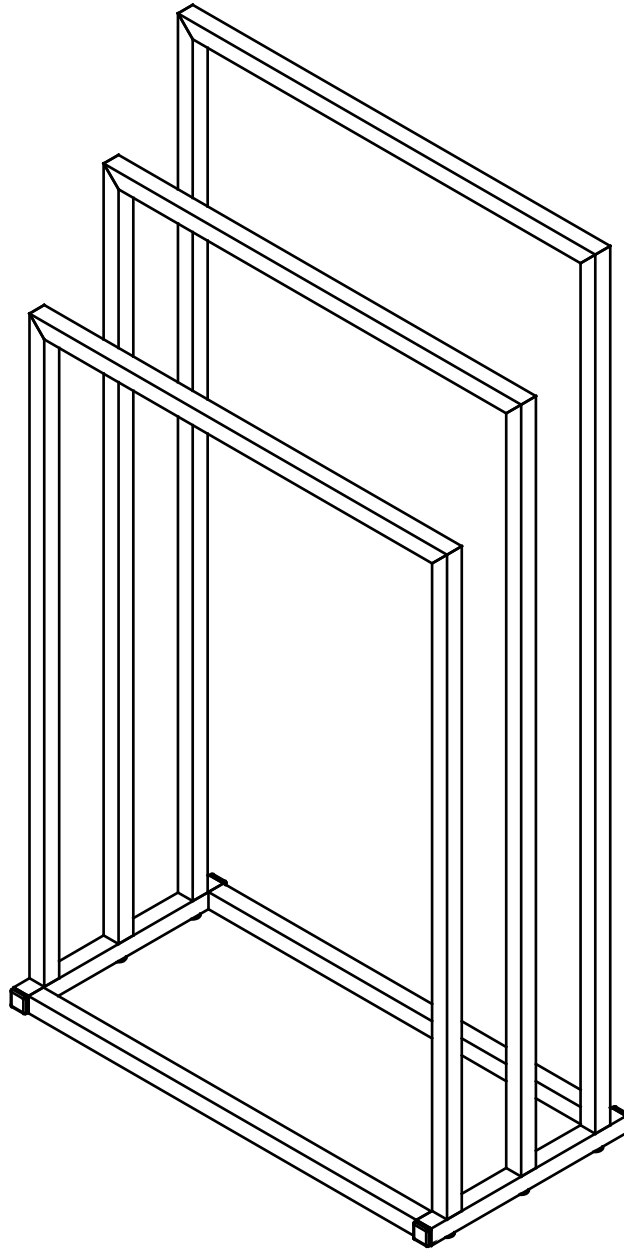


Towel Rack

Assembly Instructions - Please keep for future reference



Dimensions

Width - 45cm
Depth - 21.5cm
Height - 84.5cm

Important – Please read these instructions fully before starting assembly

If you need help or have damaged or missing parts, email us



Safety and Care Advice

Important – Please read these instructions fully before starting assembly

- Check you have all the components and tools listed on page 2.
- Remove all fittings from the plastic bags and separate them into their groups.
- Keep children and animals away from the work area, small parts could choke if swallowed.
- Make sure you have enough space to layout the parts before starting.

- Do not stand or put weight on the product, this could cause damage.
- Assemble the item as close to its final position (in the same room) as possible.
- Assemble on a soft level surface to avoid damaging the unit or your floor.
- Parts of the assembly will be easier with 2 people.



- We do not recommend the use of power drill/drivers **for inserting screws**, as this could damage the unit. Only use hand screwdrivers.
- Dispose of all packaging carefully and responsibly.

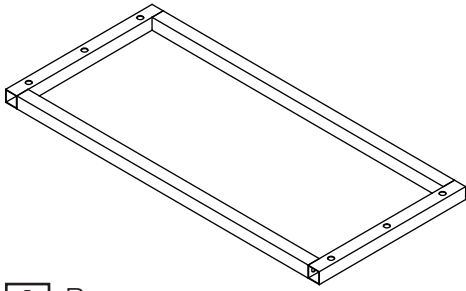
Care and maintenance

- Only clean using a damp cloth and mild detergent, do not use bleach or abrasive cleaners.
- From time to time check that there are no loose screws on this unit.
- This product should not be discarded with household waste. Take to your local authority waste disposal centre.

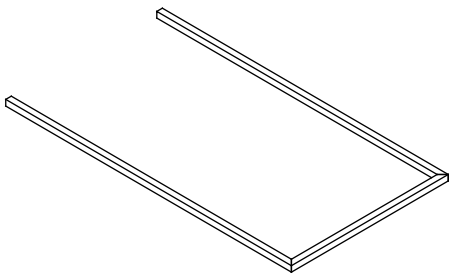
Components - Panels

If you have damaged or missing components, email us

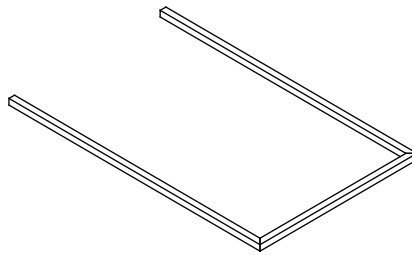
Please check you have all the panels listed below



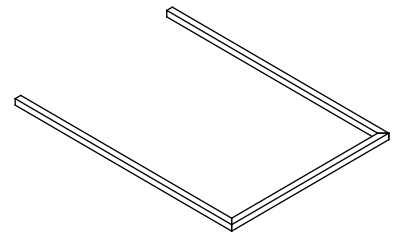
A Base



B Large rail



C Medium rail



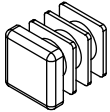
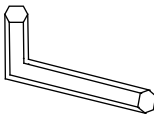
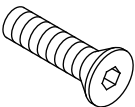

D Small rail

Components - Fittings

If you have damaged or missing components, email us

Please check you have all the fittings listed below

Note: The quantities below are the correct amount to complete the assembly. In some cases more fittings may be supplied than are required.

<p>e</p>  <p>End cap x 4</p>	<p>f</p>  <p>Allen key x 1</p>	<p>g</p>  <p>Bolt x 6</p>
<p>h</p>  <p>Foot x 4</p>		

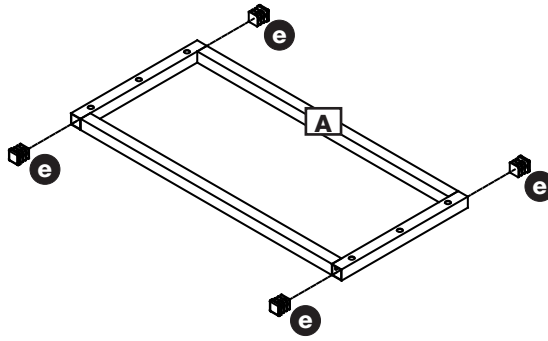
Assembly Instructions

Step 1

Assembly

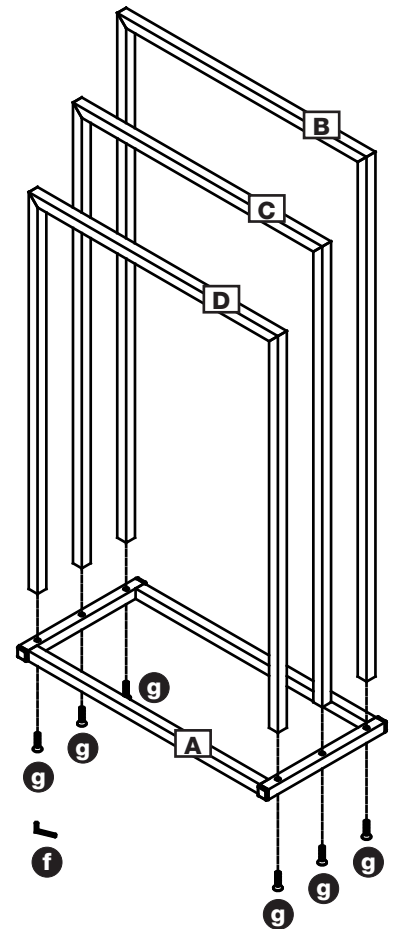
a: Insert 4 x bungs **e** into the base **A** as shown.

a:



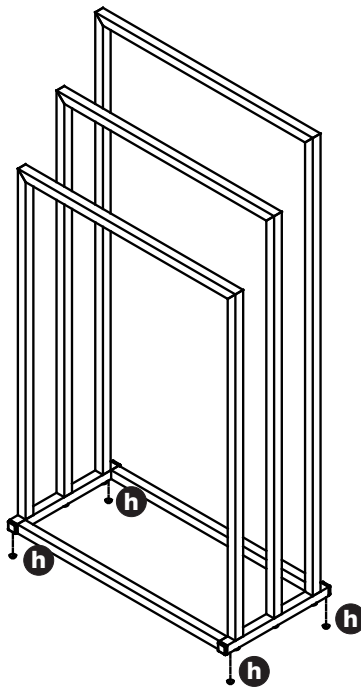
b: Attach the three different sized rails in ascending height order, **D** then **C** then **B**, to the base **A** as shown, fixing into position with 2 x bolts **g** for each rail.

b:



c: Insert 4 x feet **h** into the underside of base **A** as shown.

c:



Assembly is complete.

If you need any help or have damaged or missing parts, email us.