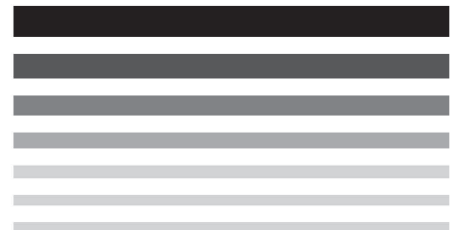




SAKURA

Models: M-3000 30/36

RANGE HOOD OPERATING INSTRUCTIONS



Before using this range hood,
please read these instructions
completely.



Table of contents

1	Important Safety Notice- - - - -	P3
2	Parts Identification - - - - -	P6
3	Installation Accessories - - - - -	P7
4	Installation Ducting - - - - -	P8
5	Installation Guidelines - - - - -	P9
6	Installation Procedures - - - - -	P10
7	Operation Procedures- - - - -	P12
8	Safety Guidelines - - - - -	P13
9	Daily Maintenance- - - - -	P14
10	Trouble Shooting - - - - -	P15
11	Wiring Diagram- - - - -	P17
12	Specifications- - - - -	P17

Table des matières

1	Consignes importantes de sécurité - - - - -	P18
2	Identification des éléments - - - - -	P21
3	Pièces nécessaire à l'installation - - - - -	P22
4	Installation du conduit - - - - -	P23
5	Conseils d'installation - - - - -	P24
6	Procédure d'installation - - - - -	P25
7	Procédure d'utilisation- - - - -	P27

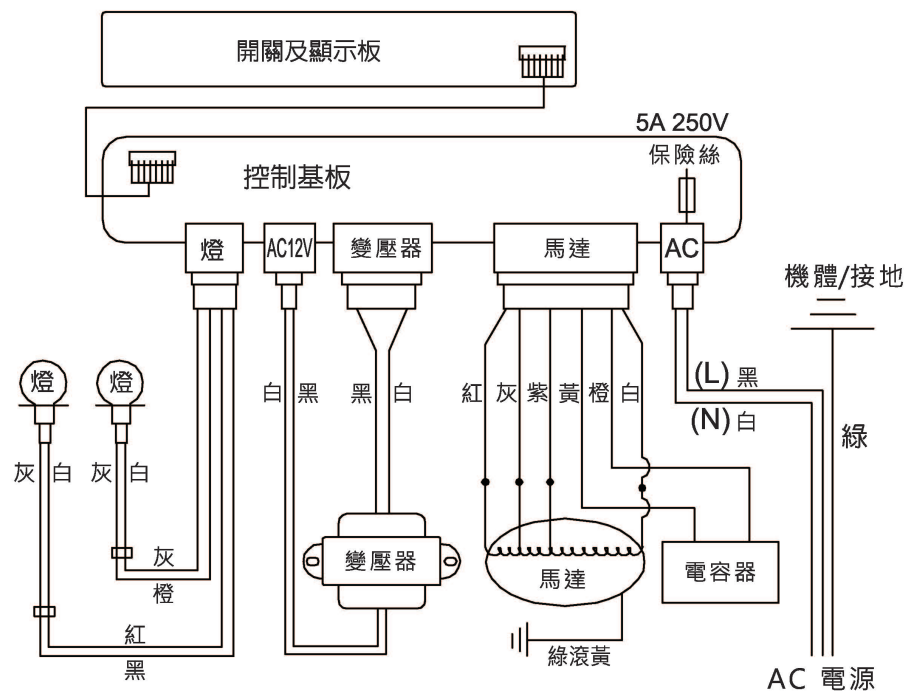
12 規格表

型號		M-3000 30	M-3000 36
重量 (Kg)	淨重	17	19.5
	毛重	23	26
機體尺寸 寬×深×高		29-8/11" X 20-2/7" X 2-1/6"	35-7/16" X 20-2/7" X 2-1/6"
包裝尺寸 長×寬×高		33-3/16" X 15-11/23" X 24-1/4"	38-10/11" X 15-11/23" X 24-1/4"
使用電壓		120V~60Hz	
出風口徑		Ø 5-7/8"	
照 明		2x1W	
回速器		2300/1800/1500 RPM	
耗電量		350 W	

11 配線圖

● M-3000 30 / M-3000 36

M-3000 30 / M-3000 36 除油煙機配線圖



注：交流電壓120V使用20 μ F 250VAC電容器

8	Pour votre sécurité	P28
9	Entretien quotidien	P29
10	Dépannage	P30
11	Schéma électrique	P31
12	Spécifications	P32

目錄

1	重要安全須知	P33
2	部品名稱	P35
3	安裝附屬零件表	P36
4	排氣管的安裝	P37
5	安裝前須知	P38
6	安裝施工說明	P39
7	使用方法	P41
8	使用注意事項	P42
9	日常保養	P43
10	異常狀況之處理	P44
11	配線圖	P45
12	規格表	P46

1 Important Safety Notice

READ AND SAVE THESE INSTRUCTIONS

WARNING :

TO REDUCE THE RISK OF FIRE, ELECTRIC SHOCK, OR INJURY TO PERSONS, OBSERVE THE FOLLOWING:

- a) Use this unit only in the manner intended by the manufacturer. If you have questions, contact the manufacturer.
- b) Before servicing or cleaning unit, switch power off at service panel and lock the service disconnecting means to prevent power from being switched on accidentally. When the service disconnecting means cannot be locked, securely fasten a prominent warning device, such as a tag, to the service panel.

"CAUTION"

"For General Ventilating Use Only. Do Not Use To Exhaust Hazardous Or Explosive Materials And Vapors."

INSTALLATION

WARNING :

TO REDUCE THE RISK OF FIRE, ELECTRIC SHOCK, OR INJURY TO PERSONS, OBSERVE THE FOLLOWING^a:

^aBased on "Kitchen Firesafety Tips" published by NFPA.

- a) Installation work and electrical wiring must be done by qualified person(s) in accordance with all applicable codes and standards, including fire-rated construction.
- b) Sufficient air is needed for proper combustion and exhausting of gases through the flue (chimney) of fuel burning equipment to prevent back drafting. Follow the heating equipment manufacturer's guideline and safety standards such as those published by the National Fire Protection Association (NFPA). And the American Society for Heating, Refrigeration and Air Conditioning Engineers (ASHRAE), and the local code authorities.
- c) When cutting or drilling into wall or ceiling, do not damage electrical wiring and other hidden utilities.
- d) Ducted fans must always be vented to the outdoors.

"CAUTION"

" TO REDUCE THE RISK OF FIRE, USE ONLY METAL DUCTWORK."

WARNING :

TO REDUCE THE RISK OF A RANGE TOP GREASE FIRE:

- a) Never leave surface units unattended at high settings. Boilovers cause smoking and greasy spillovers that may ignite. Heat oils slowly on low or medium settings.
- b) Always turn hood ON when cooking at high heat or when flambeing food (i.e. Crepes Suzette, Cherries Jubilee, Peppercorn Beef Flambe'),

10 異常狀況之處理

1. 使用中發現異常狀況時，請將開關電源切斷，並請合格技師進行維修。
2. 處理異常狀況時請將開關電源切斷。

狀況	原因及處理方法
電源線損壞	▲ 電源線規格: UL/CUL SJT VW-1 105°C 3X18AWG 綠色接地線附圓形端子
燈亮馬達不轉	A. 若電容器已燒毀，則需更換新電容器。 B. 馬達不運轉或運轉遲緩、異音、有燒焦味，可能馬達損壞，必需更換新馬達組。
機體震動	A. 查看馬達是否鎖緊。 B. 如馬達已鎖緊，則是風葉受損；不平穩轉動會產生機體震動，應更換風葉。
吸力強	A. 油煙機與爐面的距離太高。 B. 油煙機周圍環境門窗通風多，對流太大。 C. 油煙機裝置於窗戶處所導致，最好在油煙機後部下方放一塊板子，與油煙機後部對齊，遮住窗戶。 D. 參考安裝原則及安裝注意事項進行安裝。
機體裝設歪斜	A. 如左右歪斜則由吊鐵調整左右高度。 B. 如向前傾斜，則由膨脹螺絲再行鎖入牆壁，或查看吊鐵固定於機體的螺絲是否鬆落。

9 日常保養

日常保養重於維修：

為發揮本機最佳性能，延長其使用壽命，應經常注意保養。

A. 常保持機體外部潔淨：

使用後請用乾布或沾有中性清潔劑之抹布，擦拭機體外殼、排氣管護罩表面，經常清潔以保持其美觀、衛生和控制面板的感應度。

註：●鎖定狀態

為方便進行清潔控制面板而不會啟動任何功能鍵。

●鎖定程序

- (1)在關機狀態下，長按開關鍵3秒(圖9-1)。
- (2)商標指示燈亮起，而其它功能圖示不會顯示，表示操作面板已鎖定(圖9-2)。

●解除鎖定程序

- (1)在面板鎖定狀態下，長按開關鍵3秒(圖9-3)。
- (2)商標指示燈會熄滅，返回關機狀態(圖9-1)。



B. 拆除濾油網清潔：

注意：(1)保養維修時應將電源插頭拔掉！

(2)為避免濾油網意外地掉下和衣服沾染油漬，必需以雙手拆除濾油網。

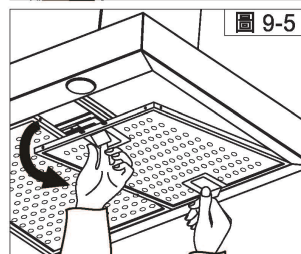
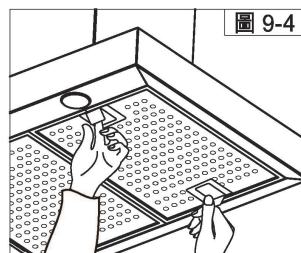
1. 濾油網之裝拆：

用雙手承托濾油網及拉開鎖扣，往下推動鎖扣，使濾油網鬆開(圖9-4)；將濾油網傾斜，向下取出(圖9-5)。

2. 濾油網應定期清潔。

3. 清洗時可使用性質溫和的清潔劑。除手洗外，也可用洗碗碟機，但應選用低溫、短促的清洗程序。

4. 待濾油網風乾才重新裝回抽油煙機。

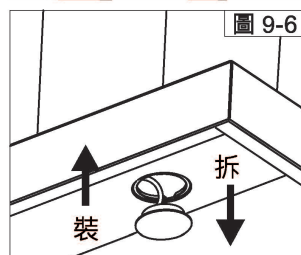


C. 更換LED燈泡：

1.更換燈泡前，必需將電源切斷和確定燈泡已經冷卻。

2.拔除LED燈接線組後將LED燈組推出(圖9-6)。

3.更換新零件後，再接上LED燈接線組，並將LED燈組推回燈固定板固定。



c) Clean ventilating fans frequently. Grease should not be allowed to accumulate on fan or filter.

d) Use proper pan size. Always use cookware appropriate for the size of the surface element.

WARNING :

TO REDUCE THE RISK OF INJURY TO PERSONS IN THE EVENT OF A RANGE TOP GREASE FIRE, OBSERVE THE FOLLOWING^a:

- SMOTHER FLAMES with a close-fitting lid, cookie sheet, or metal tray, then turn off the burner. BE CAREFUL TO PREVENT BURNS. If the flames do not go out immediately, EVACUATE AND CALL THE FIRE DEPARTMENT.
- NEVER PICK UP A FLAMING PAN . You may be burned.
- DO NOT USE WATER, including wet dishcloths or towels . A violent steam explosion will result.
- Use an extinguisher ONLY if:
 - You know you have a Class ABC extinguisher, and you already know how to operate it.
 - The fire is small and contained in the area where it started.
 - The fire department is being called.
 - You can fight the fire and evacuate to exit.

^aBased on "Kitchen Firesafety Tips" published by NFPA.

"CAUTION"

To reduce risk of fire and to properly exhaust air, be sure to duct air outside-Do not vent exhaust air into spaces within walls or ceilings or into attics, crawl spaces, or garages.

WARNING :

TO REDUCE THE RISK OF FIRE OR ELECTRIC SHOCK, DO NOT USE THIS FAN WITH ANY SOLID-STATE CONTROL DEVICE.

OPERATION

Always leave safety grills and filters in place. Without these components, operating blowers could catch onto hair, fingers and loose clothing.

GROUNDING INSTRUCTIONS

This appliance must be grounded. In the event of an electrical short circuit, grounding reduces the risk of electric shock by providing an escape wire for the electric current. This appliance is equipped with a cord having a grounding wire with a grounding plug. The plug must be plugged into an outlet that is properly installed and grounded.

WARNING : Improper grounding can result in a risk of electric shock.

Consult a qualified electrician if the grounding instructions are not completely understood, or if doubt exists as to whether the appliance is properly grounded.

Do not use an extension cord. If the power supply cord is too short, have a qualified electrician install an outlet near the appliance.

"CAUTION"

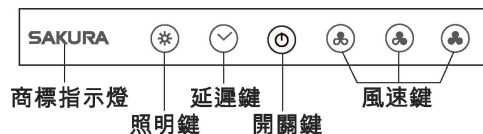
The light source is designed for this specific application and can overheat if serviced by untrained personnel. If any servicing is required, the product should be returned to an authorized service facility for examination or repair.

8 使用注意事項

1. 當拆洗濾油網時，請勿開機使用。
2. 換燈泡前，請將電源切斷。
3. 切勿讓非專業人員拆卸本機內部。
4. 切勿在鍋中燃火(當烹調燒酒雞之類食物，嚴禁鍋中燃火，以免燒壞機體)。
5. 切勿用水直接沖洗機體及內部電子零件或把機體浸泡在水裡，以免產生漏電或損壞馬達。
6. 切勿使用強酸或強鹼之清潔劑浸泡清洗濾油網。
7. 當使用氣體或其他燃料的器具時，請開啟抽油煙機和門窗，以提供充足的空氣流通。
8. 請依照說明書指示清潔抽油煙機以避免產生火警。
9. 未放置鍋具時，不可讓抽油煙機底下的爐火空燒，以免溫度太高損壞內部機件。
10. 抽油煙機不可和其他燃燒燃料的器具使用同一個排氣管道。
11. 若電源線損壞，需由合格技師進行更換，以確保安全。
12. 切勿清潔抽油煙機內部零件。

7 使用方法

開關之操作



● 「」鍵：開關控制鍵

- (1)在關機狀態下(圖7-1)，輕觸此鍵進入待機狀態模式。
- (2)此時開關鍵及商標指示燈會同時亮起，並顯示出所有功能按鍵圖示(圖7-2)。
- (3)再按此鍵為關閉抽油煙機，所有功能圖示會熄滅，返回關機狀態。

註：如待機狀態超過10分鐘仍無任何功能鍵操作，抽油煙機會自動關閉電源，進入關機狀態。

關機狀態 圖7-1



待機狀態 圖7-2



圖7-3



圖7-4



圖7-5



● 「 」鍵：風速控制鍵(低速,中速,高速)

- (1)在待機狀態下，輕觸所需風速鍵可啟動抽油煙機，而此鍵指示燈會亮著(圖7-3及圖7-4)。
- (2)在任何風速運轉中，可按其它風速鍵切換風速。
- (3)按一下已設定風速鍵可關閉風機，返回待機狀態(在照明燈未開啟狀態下)(圖7-2)。

● 「」鍵：照明燈控制鍵

- (1)在開機或待機狀態下，輕觸此鍵可開啟照明燈，而此鍵指示燈會亮著。
- (2)每按一下，即可切換開燈與關燈。

● 「」鍵：延遲關機控制鍵

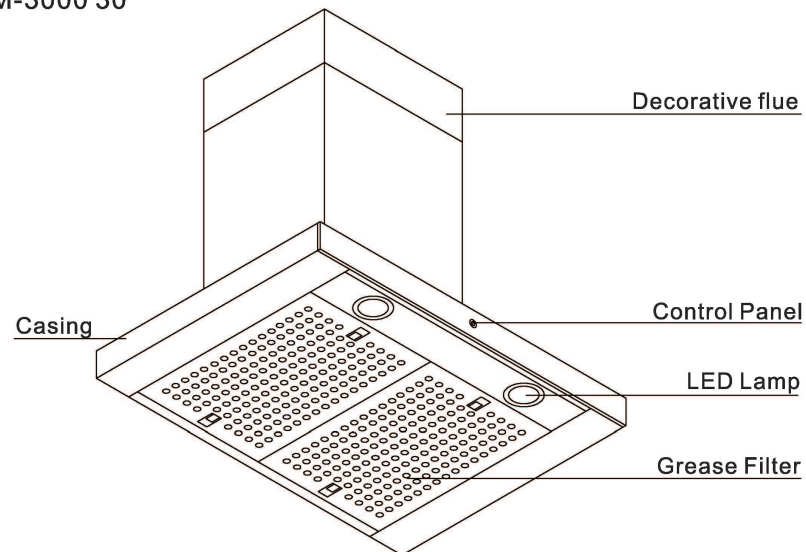
- (1)在任何風速運轉中，此功能才能運作，延遲關機時間設定為10分鐘。
- (2)輕觸此鍵便進入延遲關機模式(圖7-5)，同時此鍵指示燈會亮著。
- (3)當延遲關機倒數10分鐘完成，抽油煙機及照明燈會自動關閉，所有指示燈熄滅，進入關機狀態(圖7-1)。

※ 取消延遲關機功能

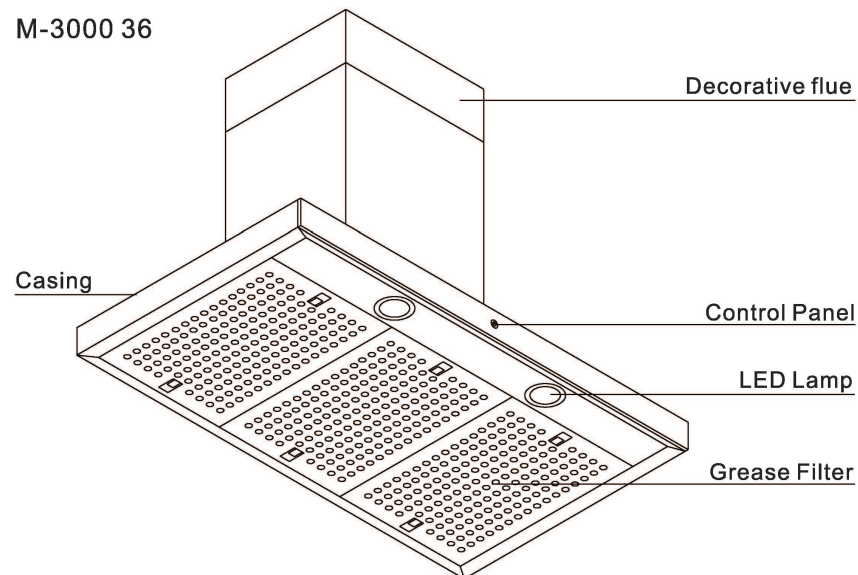
- (1)風機保持運作：當延遲關機功能運作時，再輕觸此鍵，延遲關機功能便會取消，而此鍵指示燈熄滅，風機仍保持運作。
- (2)關閉風機：當延遲關機功能運作時，輕觸所設定的風速鍵可立即關閉風機，進入待機狀態(在照明燈未開啟狀態下)(圖7-2)。

2 Parts Identification

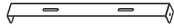

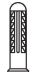


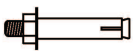
● M-3000 30



● M-3000 36

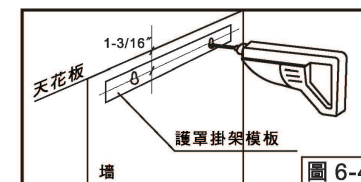


3 Installation Accessories

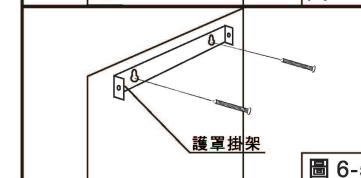
Item	Title	Sketch	Quantity
1.	Flue mounting bracket		1
2.	Wood screw		4
3.	Wall plug		4
4.	screw for fixing upper pipe cover		2
5.	drilling template		1
6.	Anchor		2

6 安裝施工說明

11. 將護罩掛架模板貼於牆壁上，該模板水平中心線距離天花板1-3/16" 豎直方向與機體中心線對齊；以 $\phi 6\text{mm}$ 鑽頭鑽孔（左右各一個）。(圖 6-4)

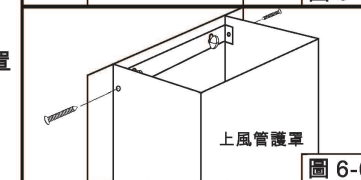


12. 把牆栓打進兩個孔中，用螺絲將護罩掛架固定到牆壁上。(圖 6-5)



13. 將上下風管護罩表面之PE保護膜撕掉。

14. 如圖示用上風管護罩固定螺絲將上風管護罩固定到掛架上。(圖 6-6)



● 抗風葉片組件安裝說明

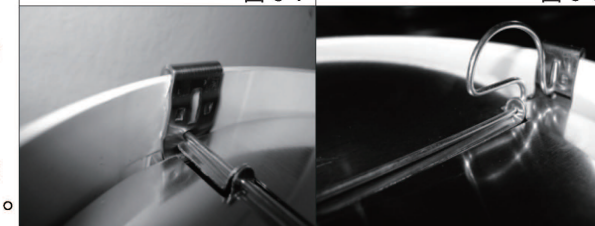
1. 將兩個卡片固定到風箱出口的頸部，使兩個卡片相對並在一條線上。(圖 6-7)



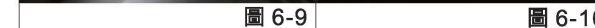
2. 將抗風葉片的保護膜撕掉。(圖 6-8)



3. 將轉動桿較細的一端插入其中一卡片的孔中。(圖 6-9)



4. 最後將該卡片的另一端卡入另一個卡片的槽內。(圖 6-10)



6 安裝施工說明

1. 打開紙箱檢視說明書等附屬配件是否齊全。
2. 安裝前先測試操作開關上之各項功能是否正常（馬達運轉、照明），嚴禁將手伸入抽油煙機內部以避免觸及風扇發生危險或損壞風扇。
3. 確定牆壁的強度必須足以承托抽油煙機的重量。
4. 測量從爐頂部到抽油煙機底部的尺寸（最小 25-5/8"）。在抽油煙機底部標示出水準線A。
5. 標示出抽油煙機的中心線。
6. 標示出安裝高度線B（距線A為10-7/16"）。（圖 6-1）
7. 將機體掛鉤模板貼於B線，並與機體中心線對齊，以 $\varnothing 8\text{mm}$ 鑽頭鑽孔（左右各一個）。（圖 6-2）
8. 按照標示，將膨脹螺絲固定於孔內。
9. 調整機體兩側之掛鉤（吊鐵），將機體掛於膨脹螺絲上，並收緊螺帽。（圖 6-3）
10. 懸掛後，機體一定要保持水平。（安裝原則第3點已敘述）

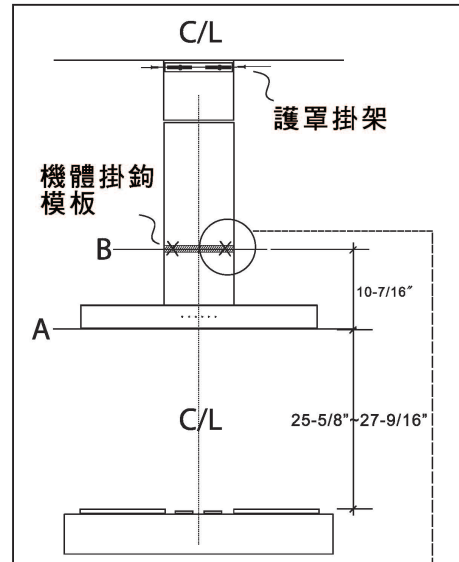


圖 6-1

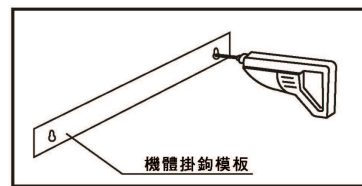


圖 6-2

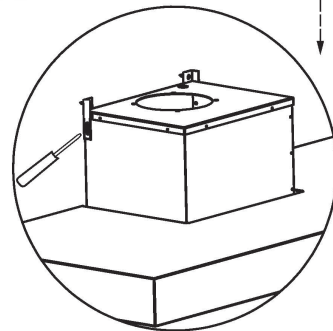


圖 6-3

4 Installation Ducting

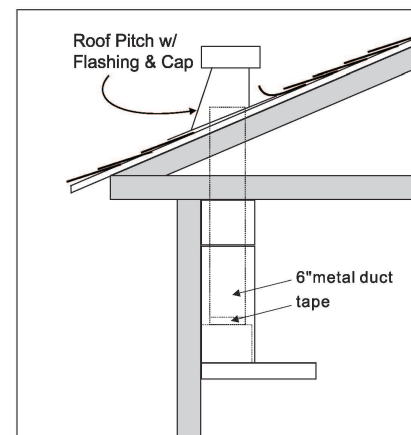
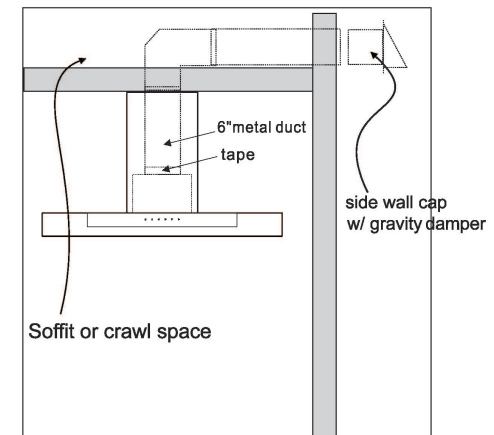
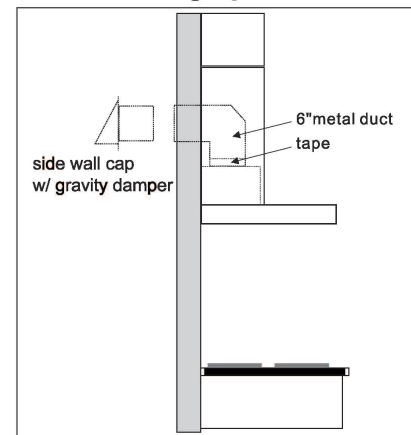
WARNING FIRE HAZARD

Never exhaust air or terminate duct work into spaces between walls, crawl spaces, ceilings, attics or garages. All exhaust must be ducted to the outside.

Use 6" metal ductwork only.

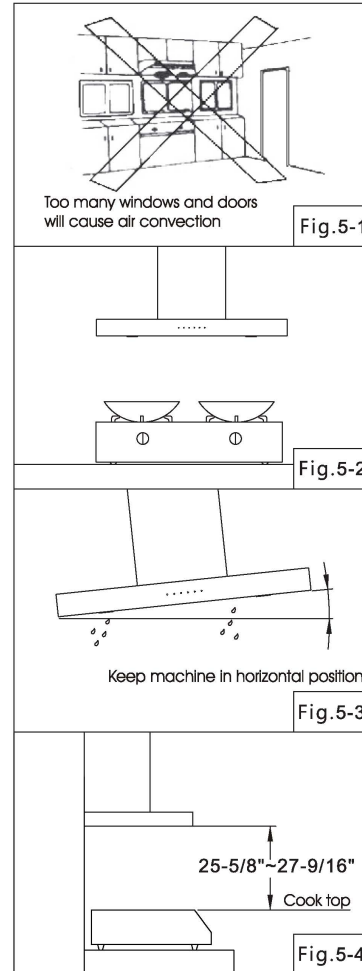
Fasten the metal duct to the top housing of range hood. Then tape the connections with duct tape. After this, refer to the Item6:Installation procedures for the installation methods of pipe cover.

Some Ducting Options:



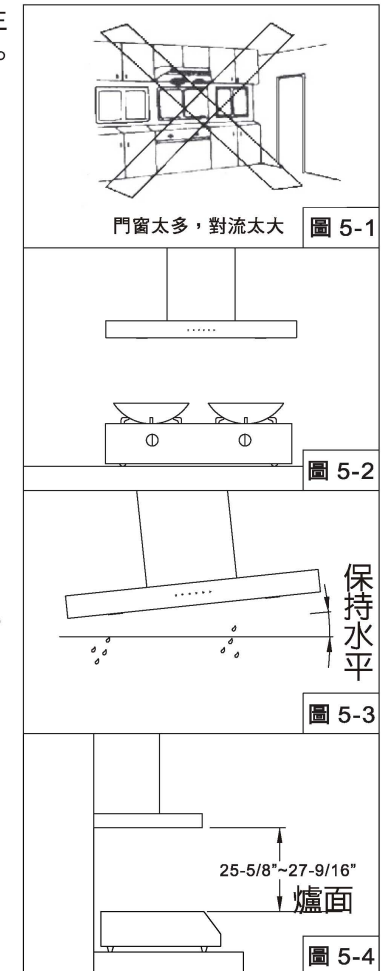
5 Installation Guidelines

1. Too many windows and doors surrounding the appliance will cause air convection, worsening the performance of air-exhaust. (Fig.5-1)
2. The appliance shall be installed on frontal upper side of cooking area. (Fig.5-2)
3. The casing must be horizontal after installation. (Fig.5-3)
4. Minimize the distance between the exhaust outlet of the appliance and the air venting hole for effective air exhaustion.
5. The minimum distance between the hob surface and the lowest part of the range hood must be not less than 25-5/8". If the instructions for installation for the gas hob specify a greater distance, this must be adhered to. (Fig.5-4)
6. When making the electrical connections, check that the voltage values correspond to those indicated on the appliances. Electrical wiring must be done by a qualified electrician.
7. Regulations concerning the discharge of exhaust air have to be fulfilled.



5 安裝前須知

1. 抽油煙機安裝之周圍，應避免門窗過多而產生太大空氣對流，否則無法發揮其排煙之效果。(圖 5-1)
2. 抽油煙機安裝於爐台之正上方。(圖 5-2)
3. 安裝後之機體不能歪斜應保持水平。(圖 5-3)
4. 排風出口至機體之距離，應儘量避免過長，以免氣流擠壓於管內，影響其排風效果。
5. 抽油煙機之安裝高度為爐面至機體最低位之距離，最少為25-5/8"。倘上述距離有別於爐具生產商的建議，以較遠者為準。(圖 5-4)
6. 接駁電源必須符合標籤上所示的額定電壓。由合資格技術人員處理。
7. 應符合條例中有關於廢氣排放的事宜。



4 排氣管的安裝

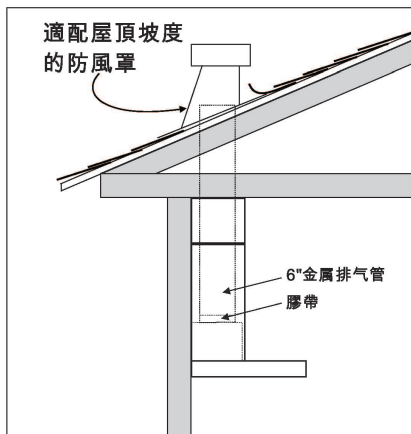
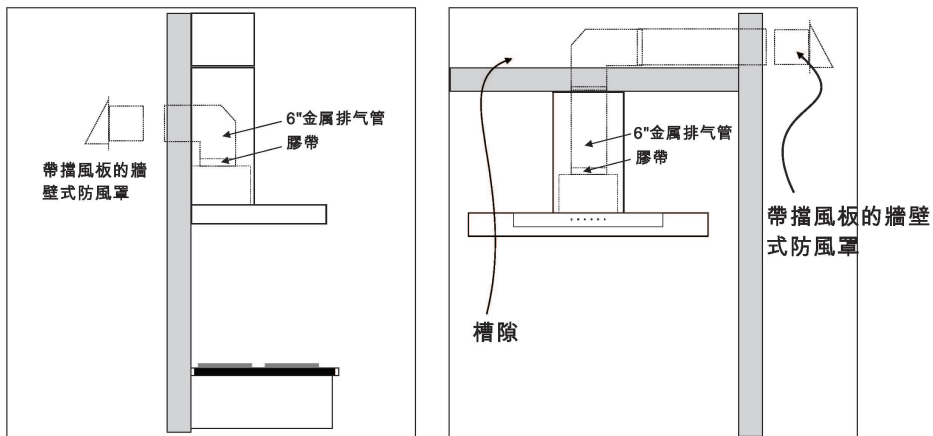
小心火災

不要將氣體排在牆壁、狹小的空間、天花板、閣樓或者車庫內，必須將氣體通過排氣管排到外面。

僅限於使用6"金屬排氣管。

把排氣管套在出風口外面，然後用膠帶纏好固定。最後參照本說明書第6部份中排氣管護罩的安裝說明安裝好上下排氣管護罩。

多種安裝方式：



6 Installation Procedures

1. Check if all installation accessories are ready.
2. Check if the range hood is functioning well. Do not touch the fan inside the hood to prevent any injury or damage the fan.
3. Make sure that the wall must be strong enough to take the weight of the hood.
4. Measure the distance between the hob top and the bottom of hood (min. 25-5/8"). Mark the line "A".
5. Mark a centre line of hood on the wall.
6. Mark a line "B" (10-7/16" from a line "A"). (Fig.6-1)
7. Rest the drilling template against the wall: The vertical centre line printed on the drilling template must correspond to the centre line drawn on the wall. Drill $\varnothing 5/16$ " holes at the indicated positions (1 hole each at left and right). (Fig.6-2)
8. Fix sleeve anchor to the drilled holes.
9. Adjust the hangers on two sides of range hood and hang it to sleeve anchors. Tighten the nut of sleeve anchor. (Fig.6-3)
10. Make sure that the range hood remains in horizontal position (refer to installation guidelines).

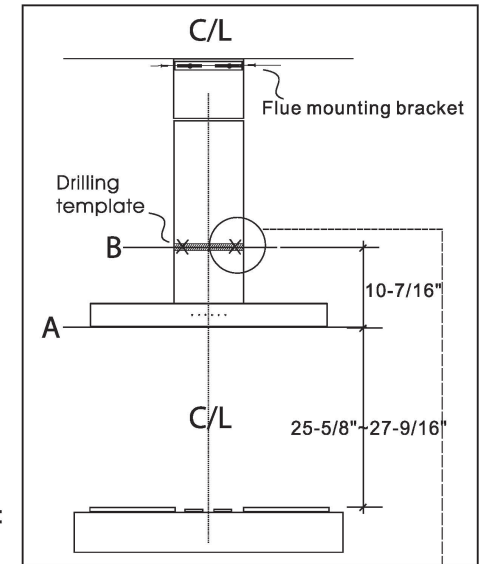


Fig.6-1

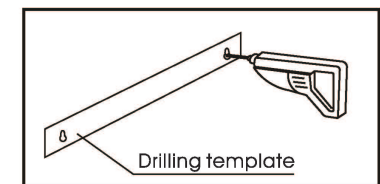


Fig.6-2

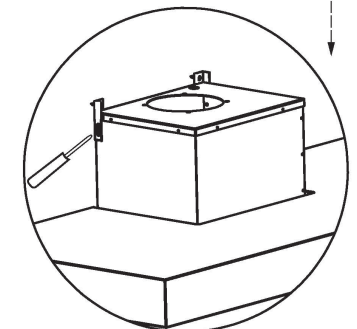


Fig.6-3

6 Installation Procedures

11. Rest the flue mounting bracket drilling template against the wall, the vertical centre line printed on the drilling template must correspond to the centre line drawn on the wall. The distance between the ceiling and the horizontal centre line of drilling template is 1-3/16". Drill $\phi 1/4"$ holes at the indicated positions (1 hole each at left and right). (Fig.6-4)

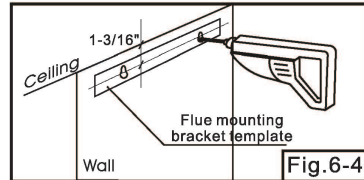


Fig.6-4

12. Insert 2 wall plugs and fix mounting bracket to the wall using 2 screws. (Fig.6-5)

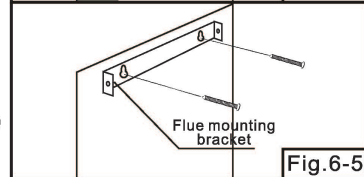


Fig.6-5

13. Peel off PE protective sheet on the decorative flue.

14. Install the upper decorative flue to mounting bracket using 2 screws. (Fig.6-6)

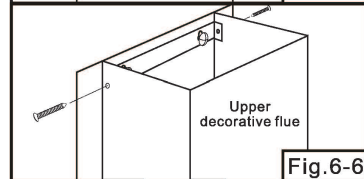


Fig.6-6

● Procedures of damper installation.

1. Add 2 metal clips to blower outlet collar. Make sure the clips face each other in the same orientation. (Fig.6-7)



Fig.6-7

Fig.6-8

2. Peel off protective sheet from butterfly damper. (Fig.6-8)

3. Insert narrow end of rod into hole on metal clip. (Fig.6-9)

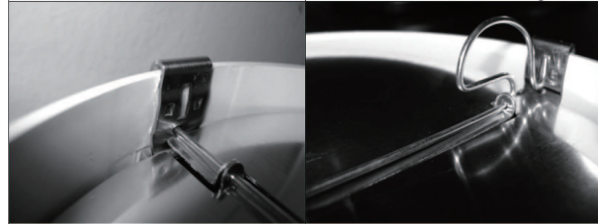


Fig.6-9

Fig.6-10

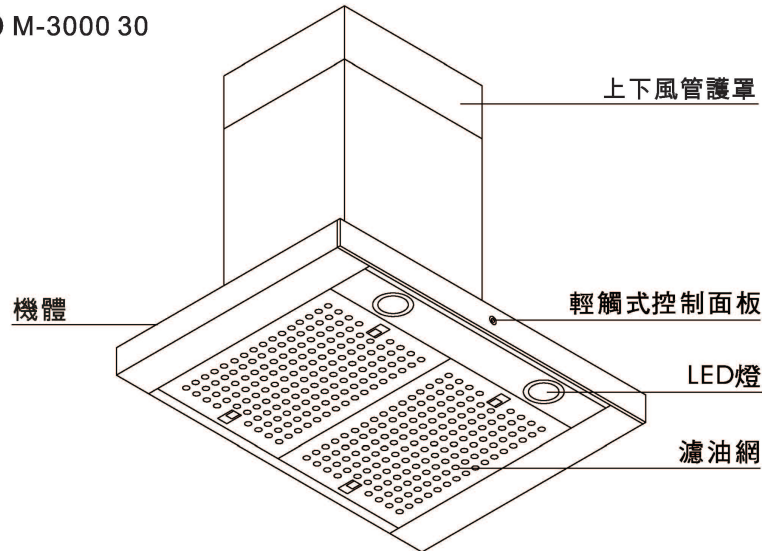
4. Insert end of rod with loop into the slot on second metal clip. (Fig.6-10)

3 安裝附屬零件表

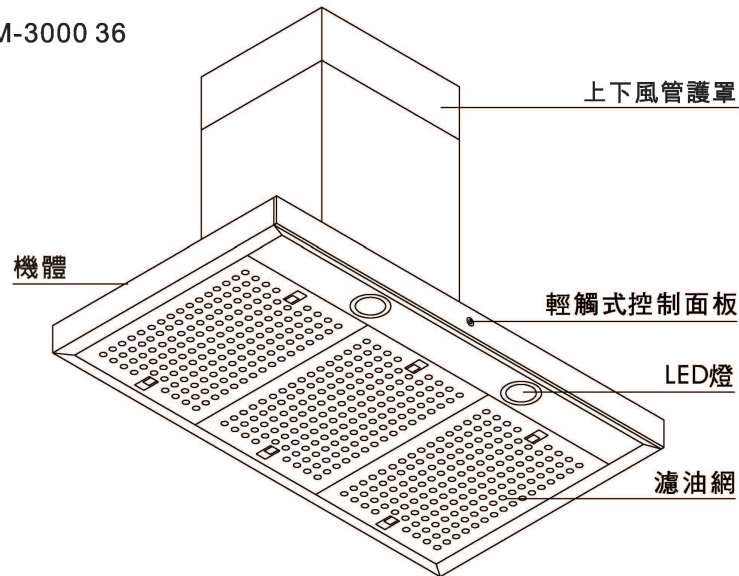
項次	名稱	簡圖	數量
1.	護罩掛架		1條
2.	螺絲		4枝
3.	牆栓		4枝
4.	上護罩固定螺絲		2枝
5.	安裝模板		1張
6.	膨脹螺絲		2枝

2 部品名稱

● M-3000 30




● M-3000 36



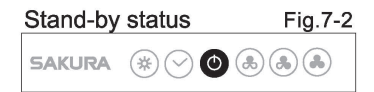
7 Operation Procedures




OPERATION




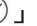
- 「」 Button : ON/OFF Control Button
 - (1) Press the button to enter stand-by mode of the range hood.
 - (2) Logo indicator turn on and all icons of control button will display. (Fig.7-2)
 - (3) Press again the button to turn off the range hood, all icons of functions will be off and back to off status. (Fig.7-1)

NOTE : If more than 10 minutes in stand-by status still no any operation, the range hood will automatically turn off and enter the off status.



- 「  」 Button : Fan Speed Control Button (Low, Med, High)
 - (1) After the ON/OFF button is pressed, press the desired speed button to turn on the fan, the indication lamp of set speed button is on. (Fig.7-3 & Fig.7-4)
 - (2) At any speed operation, press the other fan speed button to change fan speed.
 - (3) Press the set fan speed button to turn off the fan, the unit is back to stand-by status (if the light is off). (Fig.7-2)



- 「」 Button : ON / OFF button of the light
 - (1) Make sure the unit is in stand-by or operation status for pressing this button to turn on the lamp. The indicator of this button will illuminate.
 - (2) Press the button again to turn it off.
- 「」 Button : Delay-off button.
 - (1) This function can only be worked in the operation of the fan. The delay time is 10 minutes.
 - (2) Press the button to operate this function and the indication lamp will illuminate. (Fig.7-5)
 - (3) When 10 minutes time count down finishes, the range hood and lighting will switch off automatically. All indication lamps will extinguish. The unit is in off status. (Fig.7-1)

※ Cancel the delay-off function

- (1) Fan remains operation : When the delay-off function is in operation, press this button to cancel the function. The fan remains operation.
- (2) Shut off the fan : When the delay-off function is in operation, press the set fan speed button to turn off the fan. The unit is back to stand-by status (if the light is off). (Fig.7-2)

8 Safety Guidelines

1. Do not turn on range hood when remove or clean the filter.
2. Make sure the power is off before replacing the light bulb.
3. It is forbidden to dismantle the appliance by a non-professional person.
4. When frying, take particular care to prevent oil and grease from catching fire.
5. Do not splash water to the hood or soak the hood in water or it may cause short circuit or damage the range hood.
6. Do not use strong acid or strong alkaline detergent to clean the filter.
7. Turn on range hood and open windows and door to provide adequate ventilation when using appliances burning gas or other fuels.
8. There is a fire risk if cleaning is not carried out in accordance with the instructions.
9. Do not flame under the range hood.
10. The exhaust air must not be discharged into a flue which is used for exhausting fumes from appliances burning gas or other fuels.
11. If the supply cord is damage, it must be replaced by a qualified person in order to avoid any hazard.
12. Do not clean the internal components of the hood.

注意：

為防止發生火災和充分地排氣，排氣管必須通外。不要將氣體排在牆壁天花板或者閣樓裏，也不能排向狹小的空間或者車庫內。

警告：

為防止發生火災或者電擊，不要在本機上使用任何晶體的控制裝置。

操作須知：

總是保持油網處於原位。

接地須知：

本機必須接地。當發生短路時，接地能夠防止發生電擊。本機的電源線中配有帶接地插頭的接地線。將插頭插入帶接地的插座中。

警告：不恰當的接地會導致電擊。

若不能完全理解接地須知，或者對器具是否正確接地存在疑慮，請諮詢專業的電氣工程師。不要使用過長的電源線。若電源線太短，請專業電氣工程師在靠近器具的地方安裝一個插座。

注意：

本燈專為本機而設計，若由非專業人員維護，會發生過熱現象。若需要維護，請將本產品送至專業的服務機構進行檢查或維修。

1 重要安全須知

請閱讀並保留本說明書

警告：

為防止發生火災，電擊，或者人員傷亡，請閱讀如下說明：

- 根據製造商規定的方式來使用本機。若有問題，請聯繫製造商。
- 在維護或者清潔本機前，請切掉電源。

注意：

僅限於一般通風使用。不要用來排放危險的或者易爆炸性物質以及蒸氣。

警告：

為防止發生火災，電擊，或者人員傷亡，請閱讀如下說明：

- 應由專業人員進行安裝工作。
- 對於燃料灶具，充足的氧氣有助於充分燃燒。將燃燒不充分產生的氣體通過燃料灶具的煙道排到外面，不能和油機共用一個煙道，以防止發生倒灌。遵循燃料灶具的使用說明與NFPA，ASHRAE和當地指令授權機構出版的相關安全標準。
- 當在牆壁或者天花板上鑽孔時，不要損害電線和其他隱藏的設施。
- 外排式油機必須通外。

警告：

為防止發生火災，請使用金屬材質的排氣管。

警告：

為防止油機表面油脂發生火災，請：

- 不要在無人照看的情況下使用高檔烹飪。沸騰溢出的油脂會造成燃燒。熱油的時候使用低檔或者中檔慢慢加熱。
- 當燒烤食物或者用大火烹飪時應打開油機。
- 定期清潔油機，避免油機或者油網上堆積油脂。
- 使用與灶具發熱元件大小合適的烹飪用具。

警告：

為防止油機表面油脂發生火災造成人員傷亡，請閱讀如下說明：

- 用鍋蓋，曲奇紙，或者金屬盤覆蓋到鍋上，然後關閉灶具。小心著火。若鍋內的火苗沒有立即熄滅，撤離廚房並撥打火警電話。
- 不要將著火的鍋端起來，這樣的話有可能燒傷。
- 不要用水來滅火，包括濕的抹布或者紙巾，否則會爆發出劇烈的水蒸氣。
- 在如下情況下使用滅火器：
 - 明白滅火器有ABC級別，且明白如何使用滅火器；
 - 火勢較小，未蔓延；
 - 已撥打火警電話；
 - 可以撤離至安全出口。

以上出自於NFPA出版的“廚房防火安全小常識”。

9 Daily Maintenance

Daily maintenance is more important than servicing.

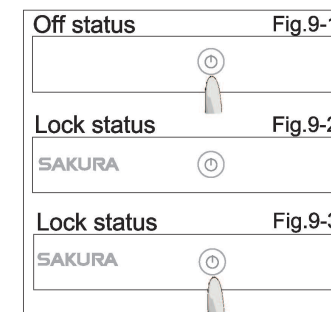
※ Good maintenance gives the best performance and prolongs the life span of the appliance.

A. Always keep the appliance clean.

After use, please wipe the casing, and the surface of duct cover with dry cloth or soaked in mild detergent to keep the hood clean and maintain the control panel's sensitivity.

NOTE：

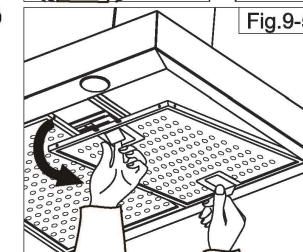
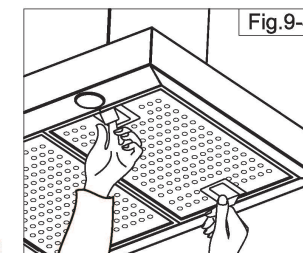
- Lock status
This status is applied to clean the control panel will not activate any function button.
- Lock procedures
(1) In the off status, press the ON/OFF button 3 seconds. (Fig.9-1)
(2) Logo indicator lights, other function icons are not displayed. The control panel is locked. (Fig.9-2)
- Unlock procedures
(1) In the lock status, press the ON/OFF button 3 seconds. (Fig.9-3)
(2) Logo indicator will extinguish. The unit is back to off status. (Fig.9-1)



B. Detachable grease filter for cleaning.

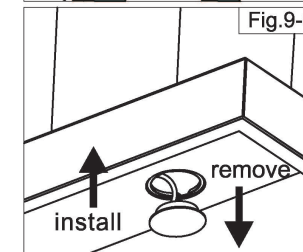
Warning： (1) Disconnect the main supply or unplug before cleaning.
(2) In order to avoid sudden drop of grease filters and grease contamination of clothes, use two hands to detach the filters.

- Support the grease filter and pull the latch to remove filter (Fig.9-4). Tilt the filter downwards to detach it. (Fig.9-5)
- The grease filter must be cleaned regularly.
- Use non-aggressive detergents to wash filter, either by hand or in the dishwasher which must be set in a low temperature and short cycle.
- Make dry the filter before put back to range hood.



C. Replacing light bulbs.

- Make sure power supply is turned off and bulbs are not hot.
- Remove the LED lamp by disconnecting the connector.
- Re-install the new LED lamp. (Fig.9-6)



10 Trouble Shooting

1. Be remained to immediately cut off power supply when troubles occur, and contact qualified technician.
2. Disconnect the power before repairing.

Status	Cause and Method of Repairing
Power supply cord is damaged	<ul style="list-style-type: none"> • Power supply cord specification: UL/CSA SJT VW-1 18AWGx2C. (Green earthing wire)
The lamp works but the motor does not run	<p>A. The capacitor should be replaced if it burnt.</p> <p>B. The motor stops rotating after a shot time and there is a burning odor. The motor may have been burnt. Replaced with a new motor.</p>
Appliance vibration	<p>A. Check if the motor is firmly screwed.</p> <p>B. If the motor has been tightened, it will be caused by the damaged fan bland. The unstable rotation will cause vibration; replace with a new one.</p>
Inadequate suction	<p>A. The distance between range hood and cooking surface is far.</p> <p>B. Too many door or windows around the hood causing convection.</p> <p>C. If the hood is installed in front of window, it is desirable to install a piece of plywood below back side of the hood so as to cover the window.</p> <p>D. Please refer to the installation Guidelines and Safety Guidelines for installation.</p>
Appliance installed not horizontally	<p>A. If appliance is inclined to lateral side, adjust hangers of both sides for leveling.</p> <p>B. If appliance is inclined forward, screw further to the wall, or check if screws are firmly fitted to hangers.</p>

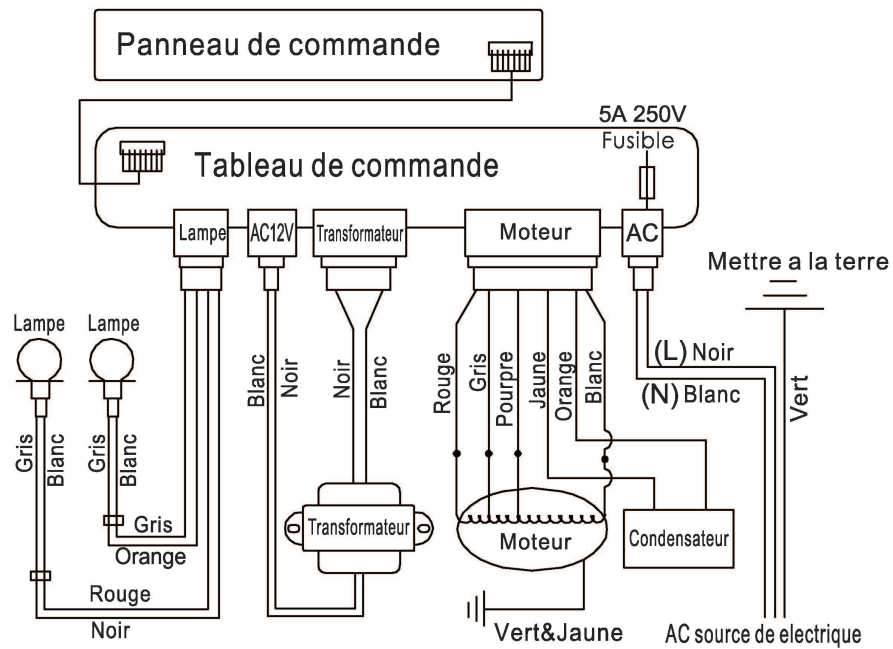
12 Spécifications

MODÈLE		M-3000 30	M-3000 36
POIDS (Kg)	POIDS NET	17	19.5
	POIDS EMBALLÉ	23	26
DIMENSIONS DE LA HOTTE LARGEUR X PROFONDEUR X HAUTEUR		29-8/11" X 20-2/7" X 2-1/6"	35-7/16" X 20-2/7" X 2-1/6"
DIMENSION DU CARTON D'EMBALLAGE LONGUEUR X LARGEUR X HAUTEUR		33-3/16" X 15-11/23" X 24-1/4"	38-10/11" X 15-11/23" X 24-1/4"
TENSION		120V~60Hz	
DIAMÈTRE DU TROU D'ÉVACUATION		Ø 5-7/8"	
LUMIÈRE		2 AMPOULES LED 1W	
VITESSE DU MOTEUR		2300/1800/1500 RPM	
CONSOMMATION ÉLECTRIQUE		350W	

11 Schéma électrique

- M-3000 30 / M-3000 36

Schéma électrique pour la hotte Sakura M-3000 30/M-3000 36

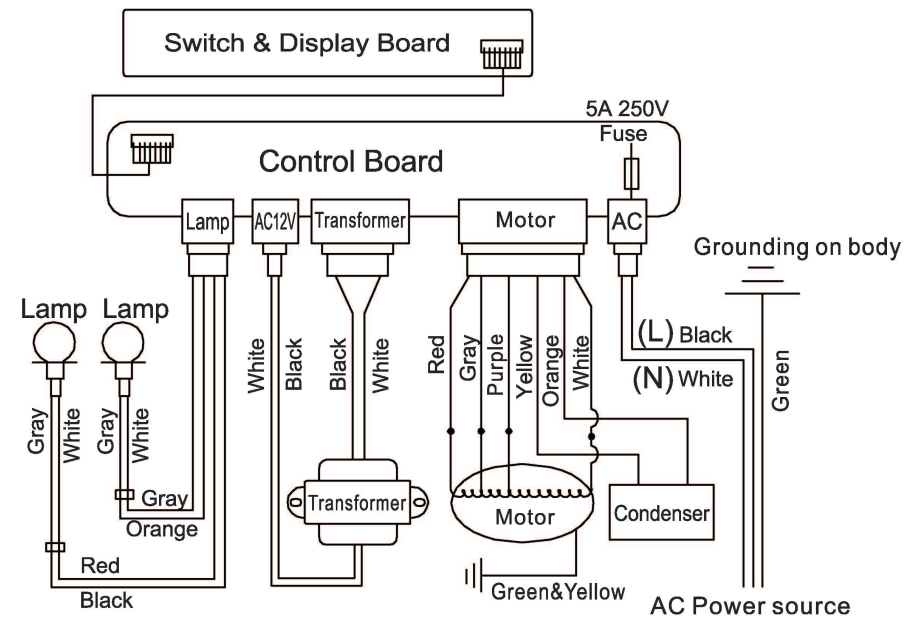


Remarque : Condensateur 20 μ F 250VAC alimenté en 120VAC

11 Wiring Diagram

- M-3000 30 / M-3000 36

CIRCUIT ASSEMBLY DRAWING OF M-3000 30 / M-3000 36 RANGE HOOD



REMARKS:CONDENSER 20 μ F 250VAC FIT AC120V

12 Specifications

MODEL		M-3000 30	M-3000 36
WEIGHT (Kg)	NW	17	19.5
	GW	23	26
MACHINE DIMENSION W X D X H		29-8/11" X 20-2/7" X 2-1/6"	35-7/16" X 20-2/7" X 2-1/6"
CARTON DIMENSION L X W X H		33-3/16" X 15-11/23" X 24-1/4"	38-10/11" X 15-11/23" X 24-1/4"
VOLTAGE		120V~60Hz	
DIAMETER OF EXHAUSTING HOLE		Ø 5-7/8"	
ILLUMINATION		2X1W LED LAMPS	
MOTOR SPEED		2300/1800/1500 RPM	
POWER CONSUMPTION		350 W	

10 Dépannage

1. Lorsqu'un problème survient, coupez immédiatement le courant d'alimentation et contactez un technicien qualifié pour réparation.
2. Coupez le courant d'alimentation pendant le dépannage.

Problème	Cause et dépannage
Le cordon d'alimentation est endommagé	<ul style="list-style-type: none"> ● Type de cordon d'alimentation : UL/CSA SJT VW-1 18AWGx2C (fil de terre vert)
L'ampoule s'allume mais le moteur ne fonctionne pas	<p>A. Remplacez le condensateur si ce dernier est brûlé</p> <p>B. Le moteur s'arrête immédiatement et il y a une odeur brûlée, le moteur a peut-être grillé. Veuillez le remplacer par un nouveau moteur.</p>
Vibration de la hotte	<p>A. Vérifiez si le moteur est bien vissé.</p> <p>B. Si le moteur est bien vissé, cela signifie que le ventilateur est endommagé. La rotation instable pourrait causer la vibration. Veuillez le changer par un nouveau ventilateur.</p>
Aspiration faible	<p>A. La hauteur entre la hotte et plan de cuisson est trop importante.</p> <p>B. Trop de fenêtres autour de la hotte pourraient causer un courant d'air.</p> <p>C. Si la hotte est installée devant une fenêtre, il est souhaitable d'installer un morceau de contreplaqué derrière la hotte afin de couvrir cette fenêtre. Veuillez vous référer aux instructions d'installation et aux consignes de sécurité pour l'installation.</p>
Appareil en biais	<p>A. Si la hotte est inclinée latéralement, ajustez les crochets se situant de chaque côté pour mettre le caisson de niveau.</p> <p>Si la hotte est inclinée vers l'avant, vérifiez toutes les vis de fixation et vissez davantage si nécessaire.</p>

9 Entretien du quotidien

L'entretien quotidien est plus important que la réparation.

※ Pour que l'appareil atteigne sa meilleure performance et que sa durée d'utilisation soit prolongée, il faut l'entretenir régulièrement.

A : Toujours garder l'extérieur de la hotte propre :

Après utilisation, veuillez essuyer le Caisson et la surface du cache-conduit avec un chiffon sec ou imbibé d'un détergent neutre. Le nettoyage régulier non seulement maintient la propreté et l'hygiène, mais permet aussi de conserver la sensibilité du panneau de commande.

NOTE : ● Mode serrure

Pour nettoyer le panneau.

● Verrouiller le panneau

(1) Sur le modèle de OFF, appuyez sur le bouton ON / OFF pendant 3 secondes. (Fig.9-1)

(2) Logo et ON / OFF lumière. (Fig.9-2)

● Déverrouiller le panneau

(1) sur le modèle de serrure, appuyez sur le bouton ON / OFF pendant 3 secondes. (Fig.9-3)

(2) Mode serrure (Fig.9-1)

B : Nettoyage des filtres à graisse

Attention: (1) Débranchez la hotte ou coupez le courant d'alimentation avant le nettoyage!
(2) Afin d'éviter que les filtres à graisse ne tombent et que la graisse ne tache vos vêtements, veuillez utiliser deux mains pour les démonter.

1. Montage et démontage des filtres à graisse :

Soutenez le filtre à graisse et tirez sur le loquet pour retirer le filtre. (Fig. 9-4). Inclinez le filtre vers le bas pour le détacher. (Fig. 9-5)

2. Nettoyez régulièrement le filtre à graisse.

3. Utilisez un détergent non-agressif pour le nettoyer, soit à la main ou au lave-vaisselle en choisissant la température basse et le cycle court.

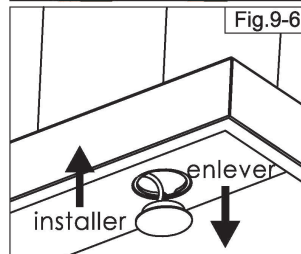
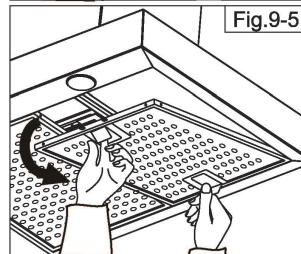
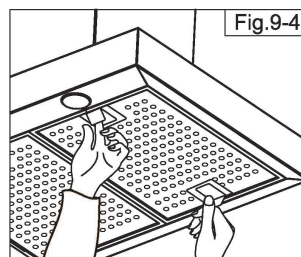
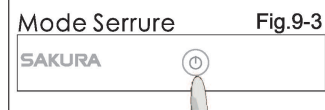
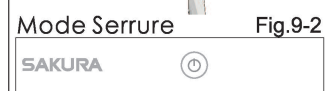
4. Remontez le filtre à graisse uniquement quand celui est sec.

C : Changement de l'ampoule LED

1. Avant de changer l'ampoule, coupez le courant d'alimentation et assurez-vous que l'ampoule est refroidie.

2. Enlever la LED cassée.

3. Installer la nouvelle LED lamp. (Fig.9-6)



1 Consignes importantes de sécurité

Veuillez lire et conserver ce guide

Attention

Pour réduire le risque d'incendie, d'électrocution ou de blessure, veuillez respecter les consignes suivantes :

- a) Utilisez cet appareil selon les consignes du fabricant. Veuillez le contacter en cas de questions.
- b) Débranchez la prise de courant avant de procéder à l'entretien ou au nettoyage de l'appareil

Avertissement :

Votre appareil est destiné à un usage normal. Ne l'utilisez pas pour évacuer des produits ou des vapeurs dangereuses ou explosives.

Installation

Attention :

Pour réduire les risques d'incendie, d'électrocution ou de blessure, veuillez respecter les consignes suivantes :

- a) Les travaux d'installation de l'appareil et de câblage électrique doivent être effectués par des professionnels.
- b) Une circulation d'air suffisante est nécessaire pour une bonne combustion et une bonne évacuation (par une cheminée) des gaz émis par des appareils à combustion afin d'éviter tout risque de refoulement. Suivez les instructions de votre appareil de cuisson ainsi que les normes de sécurité telles que celles publiées par l'Association Nationale pour la Protection contre l'Incendie (NFPA) américaine et la société américaine des ingénieurs du chauffage, de la réfrigération et de la climatisation (ASHRE) ou d'autres codes d'autorité locale.
- c) Veillez à ne pas endommager de câbles électriques d'où autres éléments cachés lorsque vous percez des trous sur le mur ou le plafond.
- d) Les ventilateurs doivent toujours expulser l'air vers l'extérieur

Avertissement :

Pour réduire les risques d'incendie, veuillez utiliser un conduit métallique.

Attention :

Pour réduire les risques d'incendie causés par le dépôt de graisses, veuillez :

- a) Ne jamais laisser votre appareil de cuisson sur grand feu sans surveillance. Les débordements ou les projections d'huiles ou de graisses peuvent prendre feu. Veillez à chauffer l'huile ou la graisse à petit ou moyen feu.
- b) Mettez toujours la hotte en route quand vous grillez ou utilisez le grand feu.
- c) Nettoyez régulièrement les ventilateurs. Evitez l'accumulation de graisse sur la hotte ou les filtres à graisse.
- d) Utilisez toujours des ustensiles de cuisine appropriés à votre appareil de cuisson (gazinière, plaque chauffante, etc.) et de taille adéquat.

Attention :

Pour réduire les risques de blessures causées par l'inflammation des graisses, veuillez respecter les consignes suivantes:

- a) Etouffer les flammes avec un couvercle hermétique, du papier sulfurisé ou un plateau métallique, puis éteignez le gaz. Soyez prudent pour ne pas vous brûler. Si le feu ne s'éteint pas immédiatement, sortez de la cuisine et appelez les sapeurs-pompier.
- b) Ne jamais prendre une casserole en flammes, vous risqueriez de vous brûler.
- c) Ne jamais utiliser d'eau, y compris un linge mouillé, qui pourrait causer une violente explosion de vapeur.
- d) Utilisez un extincteur dans les cas suivants :
 - 1) Vous connaissez le classement ABC de l'extincteur et vous savez comment l'utiliser
 - 2) Le feu est de taille réduite et ne se propage pas.
 - 3) Les sapeurs-pompier ont été contactés.
 - 4) Vous pouvez facilement évacuer en cas de besoin.

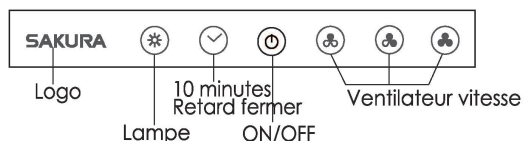
Les consignes ci-dessus sont basées sur les conseils « sécurité en cas d'incendie dans la cuisine » promulgués par une association américaine NFPA (National Fire Protection Association).

8 Pour votre sécurité

1. Ne mettez pas la hotte en route lorsque vous retirez ou nettoyez les filtres à graisse.
2. Veuillez couper le courant d'alimentation avant de changer l'ampoule.
3. Ne jamais laisser une personne non-professionnelle démonter cet appareil.
4. Ne jamais laisser la casserole prendre le feu (Interdit d'allumer le feu dans la casserole comme plat « coq au vin »), cela risque de brûler l'appareil.
5. Ne jamais éclabousser la hotte, les composantes électroniques, ou immerger la hotte dans l'eau, cela risquerait de causer un court-circuit ou d'abîmer la hotte.
6. Ne jamais utiliser de détergent acide ou alcalin fort pour faire tremper ou nettoyer les filtres à graisse.
7. Mettez la hotte en route et ouvrez fenêtres et portes pour créer une ventilation suffisante lors de l'utilisation d'appareils de combustion à gaz, pétrole, ou autres.
8. Il y a un risque d'incendie si le nettoyage n'est pas effectué selon les instructions.
9. N'allumez pas le feu sans placez d'ustensiles sur la gazinière, la haute température risque d'abîmer les parties intérieures.
10. Le conduit d'évacuation d'air de la hotte ne peut pas être partagé avec d'autres appareils brûlant d'autres combustibles.
11. Pour votre sécurité, si le câble d'alimentation est endommagé, il est impératif de le faire changer par un technicien qualifié.
12. Ne jamais nettoyer les composants internes de la hotte.

7 Procédure d'utilisation

COMMANDES



● 「⏻」 Bouton : ON/OFF

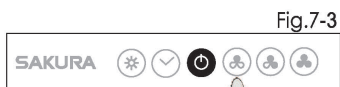
- (1) Appuyez sur le bouton pour passer en mode stand-by.
- (2) Logo et mode d'éclairage. (Fig.7-2)
- (3) Appuyez à nouveau pour fermeture. (Fig.7-1)

NOTE : Aucune opération dans les 10 minutes, la machine se ferme automatiquement.



● 「🌀🌀🌀」 Bouton : Ventilateur vitesse (Faible, Moyen, Grand)

- (1) Appuyez sur le bouton pour passer en mode stand-by, appuyez sur le ventilateur vitesse. (Fig.7-3 & Fig.7-4)
- (2) Appuyez sur le ventilateur vitesse pour changer la vitesse.
- (3) Appuyez à nouveau sur le ventilateur à éteindre le ventilateur. (Fig.7-2)



● 「*」 Bouton : Lampe

- (1) Appuyez sur la lampe en stand-by ou d'une opération.
- (2) Appuyez à nouveau sur la lampe pour l'éteindre.



● 「⏴」 Bouton : 10 minutes retard

- (1) Cette fonction ne peut être travaillée dans le fonctionnement du ventilateur. (Fig.7-5)
- (2) Dans les 10 minutes, la machine se ferme automatiquement. (Fig.7-1)

※ Résilier "10 minutes retard fermer"

Appuyez à nouveau pour arrêter 10 minutes de retard. (Fig.7-2)

Avertissement:

Pour réduire les risques d'incendie et évacuer l'air correctement, assurez-vous que le conduit d'évacuation mène bien à l'extérieur. L'air ne doit pas être expulsé dans des espaces confinés tels que combles ou greniers, vides-sanitaires, ou garages.

Attention:

Pour réduire les risques d'incendie ou d'électrocution, ne jamais utiliser de régulateur à semi-conducteurs avec cet appareil.

Utilisation :

Les grilles et les filtres doivent toujours être en place.

Instructions de mise à la terre :

Cet appareil doit être relié à la terre afin de réduire le choc électrique en cas de court-circuit. Cet appareil est équipé d'un câble possédant un fil de terre relié à la fiche de terre de la prise. Celle-ci doit être branchée sur une prise secteur correctement reliés à la terre. Attention : Une mise à la terre incorrecte peut être une cause d'électrocution.

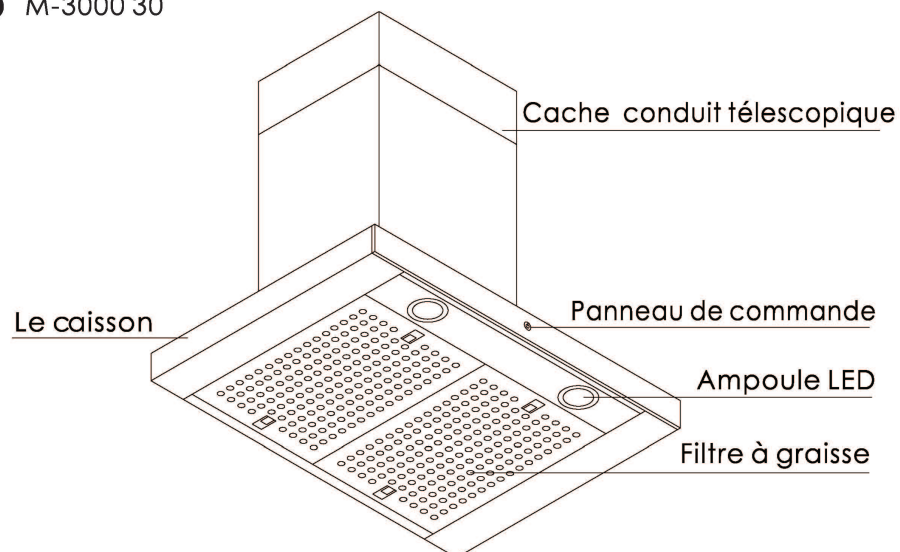
Consultez à un électricien qualifié si les instructions de mise à la terre ne sont pas complètement comprises ou en cas de doute. Ne pas utiliser de rallonge. Si le câble d'alimentation est trop court, demandez à un électricien qualifié d'installer une prise secteur à proximité de l'appareil.

Attention :

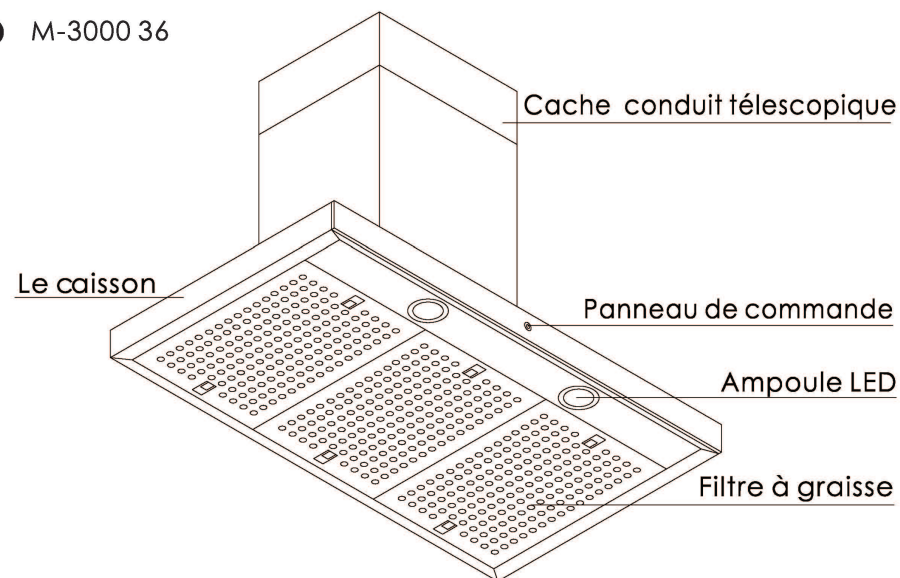
Le dispositif d'éclairage est conçu spécifiquement pour cet appareil et risque de surchauffer s'il est installé par une personne inexpérimentée. Dans le cas où une intervention s'avère nécessaire, veuillez l'envoyer pour examen ou réparation à un service client qualifié.

2 Identification des éléments

● M-3000 30



● M-3000 36



6 Procédure d'installation

- Placez le patron de perçage de l'équerre de support du cache-conduit contre le mur, la ligne centrale du patron de perçage doit s'aligner avec la ligne centrale tracée sur le mur. La distance entre le plafond et la ligne centrale du patron de perçage doit être de 1,2pouces. Percez deux trous de $\Phi 6\text{mm}$ aux endroits indiqués. (un à gauche et l'autre à droite) (Fig.6-4)
- Insérez deux chevilles et vissez l'équerre de support du cache-conduit sur le mur. (Fig. 6-5)
- Retirez le plastique de protection du cache-conduit.
- Fixez le cache-conduit supérieur sur l'équerre de support à l'aide des vis de fixation du cache-conduit supérieur. (Fig.6-6)

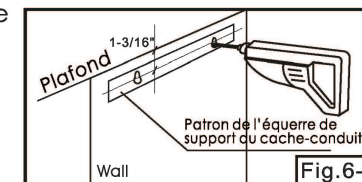


Fig.6-4

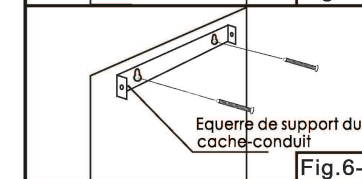


Fig.6-5

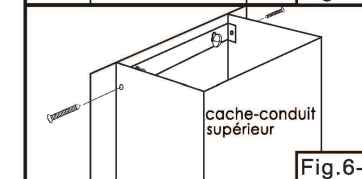


Fig.6-6

● Instructions d'installation du clapet

- Ajoutez les 2 clips métalliques au col de la sortie du ventilateur. Vérifiez que les clips sont bien face-a-face et ne sont pas en position inversée. (Fig.6-7)
- Retirez le plastique de protection du clapet. (Fig. 6-8)
- Insérez l'extrémité fine de la tige dans le trou d'un clip métallique. (Fig. 6-9)
- Insérez l'autre extrémité (avec une boucle) de la tige dans la fente du second clip métallique. (Fig. 6-10)



Fig.6-7

Fig.6-8

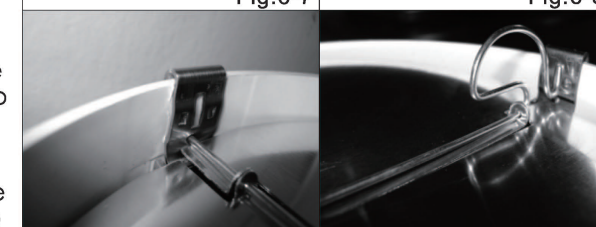


Fig.6-9

Fig.6-10

6 Procédure d'installation

1. Vérifiez qu'il ne manque aucune pièce nécessaire à l'installation.
2. Vérifiez que tous les éléments (le moteur, la lumière) fonctionnent normalement avant de commencer l'installation. Ne pas toucher le ventilateur à l'intérieur de la hotte, vous risqueriez de vous blesser ou de l'abîmer.
3. Assurez-vous que le mur est suffisamment solide pour supporter le poids de la hotte.
4. Mesurez la hauteur entre le plan de cuisson et la partie inférieure de la hotte (25,6 pouces minimum) et tracez une ligne horizontale A.
5. Tracez la ligne centrale (LC) de la hotte sur le mur.
6. Tracez une ligne B (à 10,4 pouces au dessus de la ligne A)(Fig. 6-1)
7. Placez le patron de perçage sur la ligne B, centré sur la ligne centrale (LC). Percez 2 trous de Ø 8 mm (un de chaque côté) (Fig. 6-2)
8. Insérez les boulons d'ancrage dans ces 2 trous.
9. Accrochez les crochets situés sur les 2 côtés de la hotte sur les boulons d'ancrage. Vissez complètement les boulons. (Fig. 6-3)
10. Assurez-vous que la hotte reste bien horizontale. (cf. conseils d'installation)

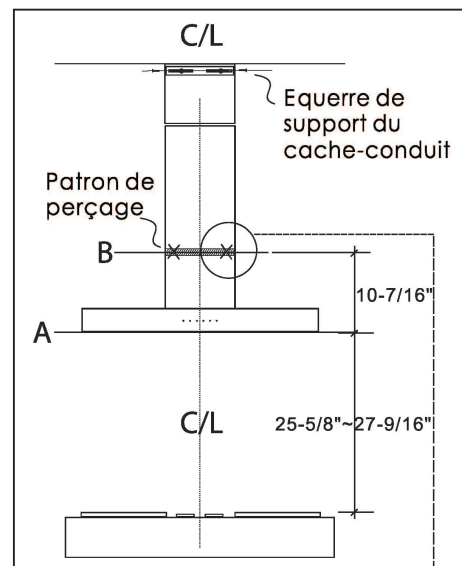


Fig.6-1

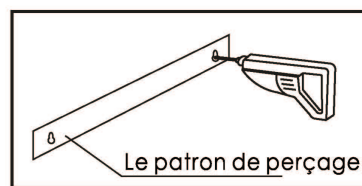


Fig.6-2

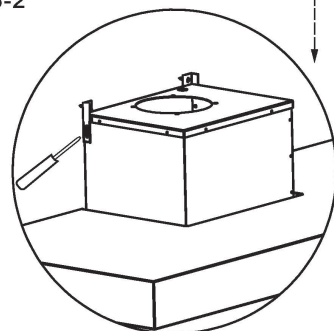


Fig.6-3

3 Pièces nécessaire à l'installation

Article	Nom	Dessin	Quantité
1.	Equerre de support du cache-conduit		1
2.	Vis		4
3.	Cheville		4
4.	Vis de fixation du cache-conduit supérieur		2
5.	Patron de perçage		1
6.	Boulon d'ancrage		2

4 Installation du conduit

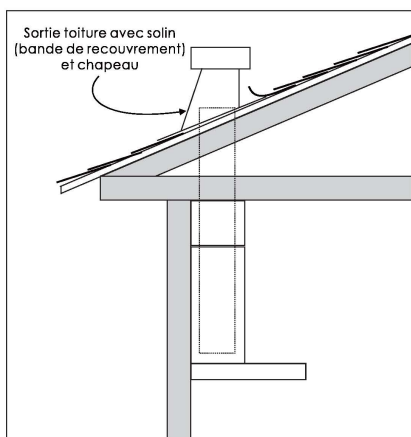
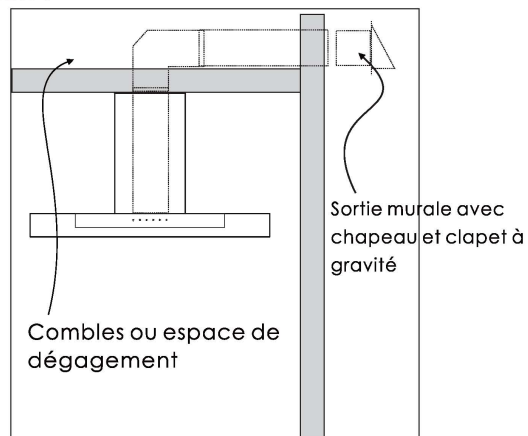
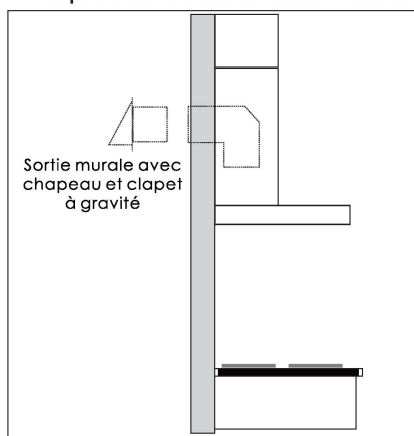
Attention, risques d'incendie

Assurez-vous que le conduit d'évacuation mène bien à l'extérieur. L'air ne doit jamais être expulsé dans des espaces confinés tels que combles ou greniers, vides-sanitaires, ou garages.

Utilisez uniquement un conduit métallique.

Des vis métal doivent être utilisées pour l'assemblage des éléments et les jointures doivent être réalisées à l'aide de ruban adhésif d'argent ou spécial conduit certifié.

Options d'installation du conduit :



5 Conseils d'installation

1. Trop de fenêtres ou de portes à proximité de la hotte peut causer un courant d'air, compromettant les performances d'évacuation (Fig. 5-1)

2. La hotte doit être installée au dessus du plan de cuisson. (Fig. 5-2)

3. Après l'installation, le caisson doit être à l'horizontal (Fig. 5-3)

4. Réduisez la distance entre la sortie extérieure du conduit et le trou d'évacuation d'air de la hotte pour éviter la compression de l'air dans le conduit, ce qui réduirait son efficacité.

5. La hauteur minimum entre la surface du plan de cuisson et la partie inférieure de la hotte doit être de 25,6 pouces (65 cm). Si le guide d'installation de la gazinière indique une hauteur supérieure, celle-ci doit être respectée. (Fig. 5-4)

6. Vérifiez que la tension d'alimentation correspond bien à celle indiquée sur la hotte.

7. L'évacuation de l'air doit être conforme aux réglementations.

