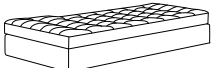
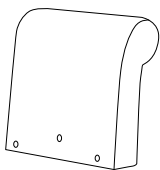
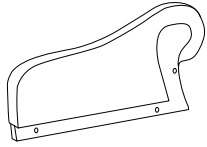
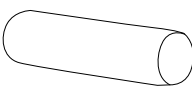
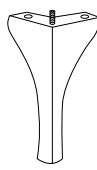
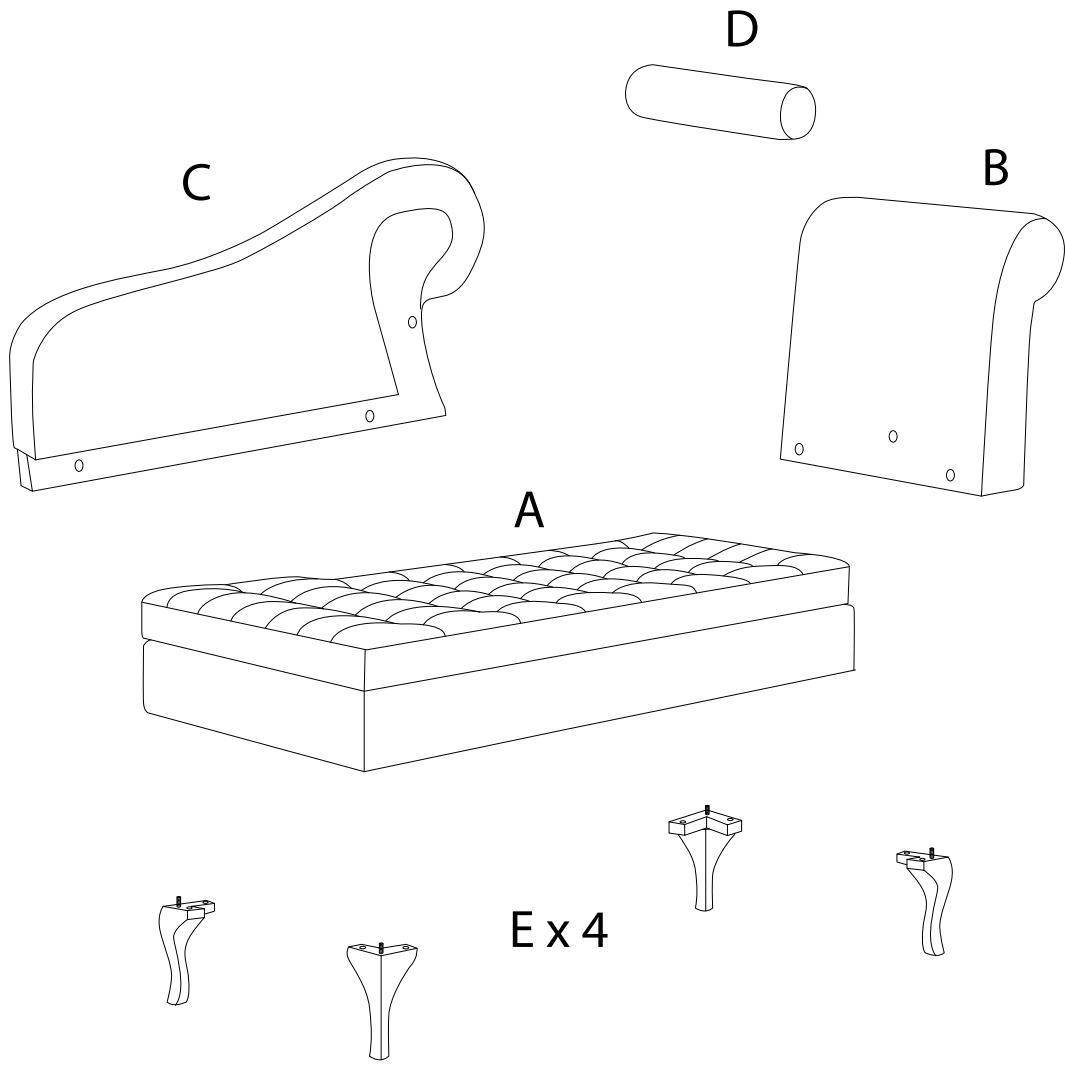
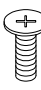


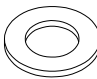
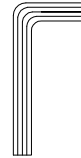


Diagram illustrating assembly instructions and safety warnings:

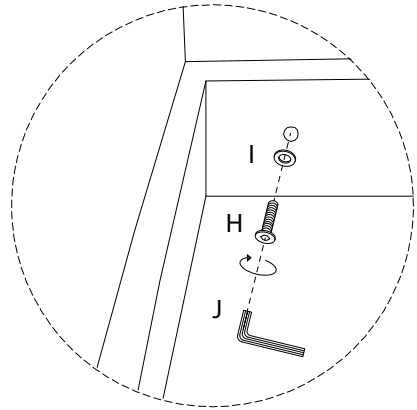
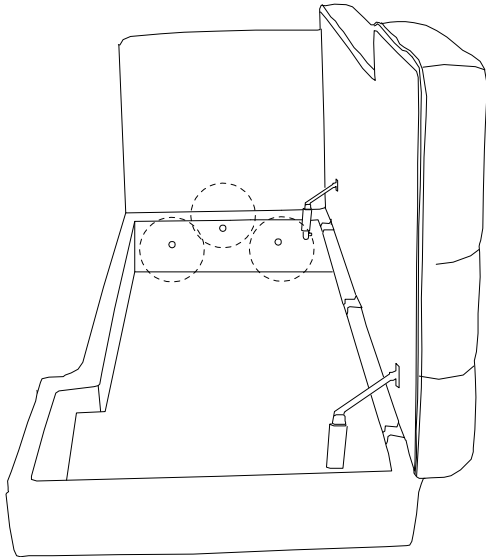
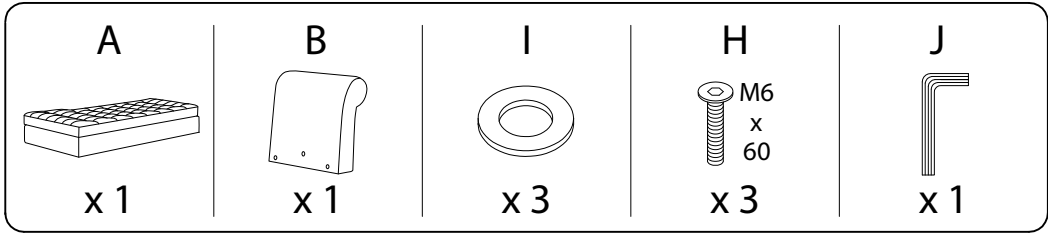
- Warning 1:** A triangle with an exclamation mark. To its left, a box contains an L-shaped bracket and a power drill with a slash through it, indicating that a power drill should not be used for this step.
- Warning 2:** A triangle with an exclamation mark. To its left, a box contains a rectangular block on a textured surface and a block with a slash through it, indicating that the block should not be placed on a textured surface.
- Time:** A clock icon with the text "20'" below it, indicating an estimated assembly time of 20 minutes.
- Person:** An icon of a person with the number "1" below it, indicating that one person is required for assembly.

A	B	C	D	E
				
x 1	x 1	x 1	x 1	x 4

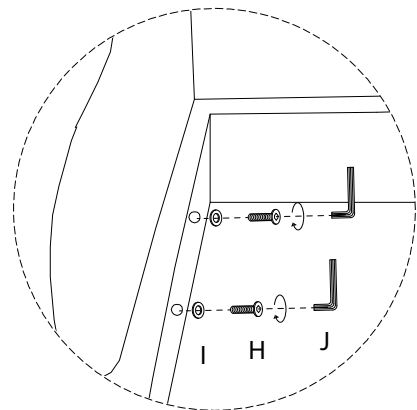
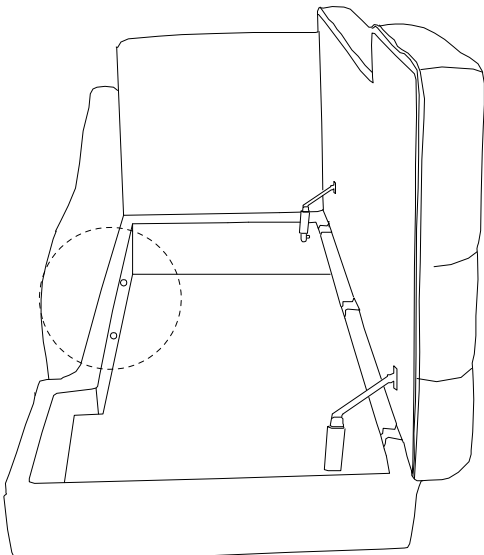


F	G	H	I	J
 M6 x 30	 M6 x 40	 M6 x 60		
x 8	x 1	x 5	x 6	x 1

1



2

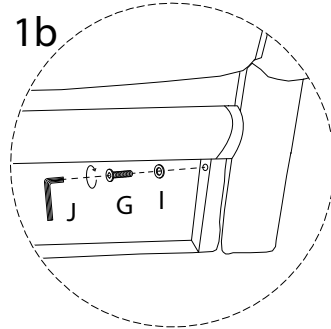
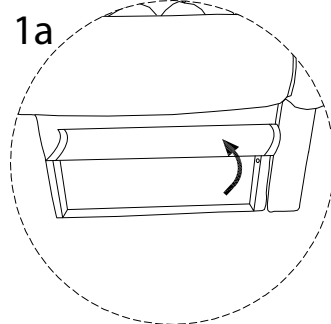
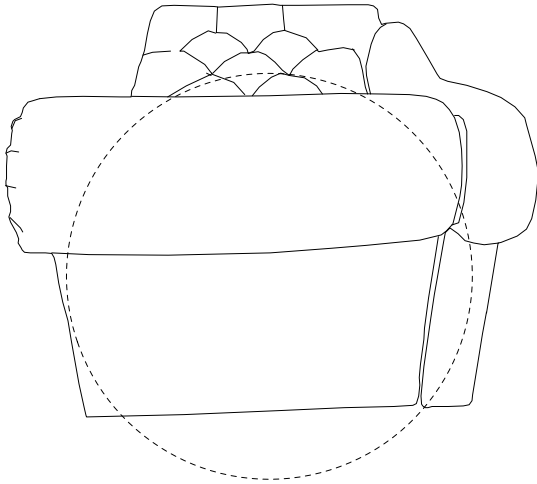


3

G
M6
x
40
x 1

I
x 1

J
x 1

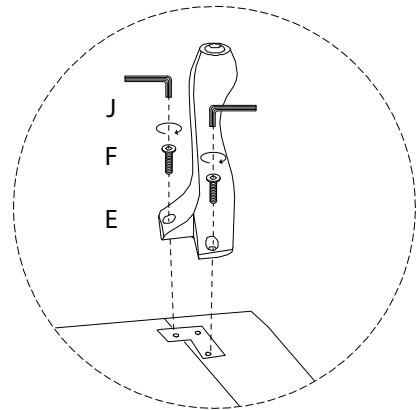
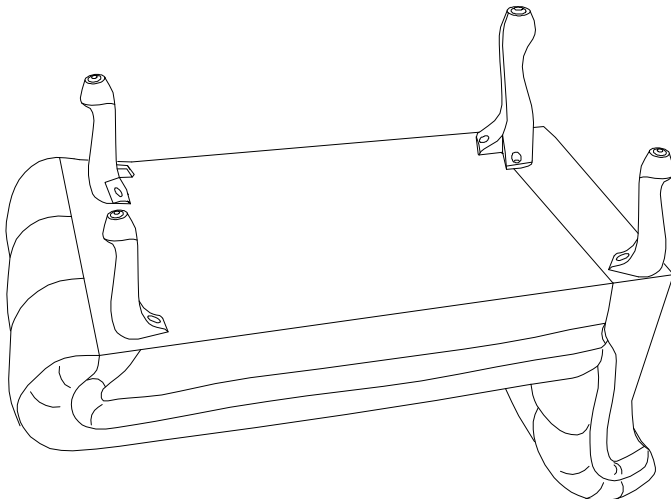


4

E
x 4

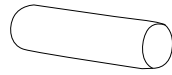
F
M6
x
30
x 8

J
x 1



5

D



x1

