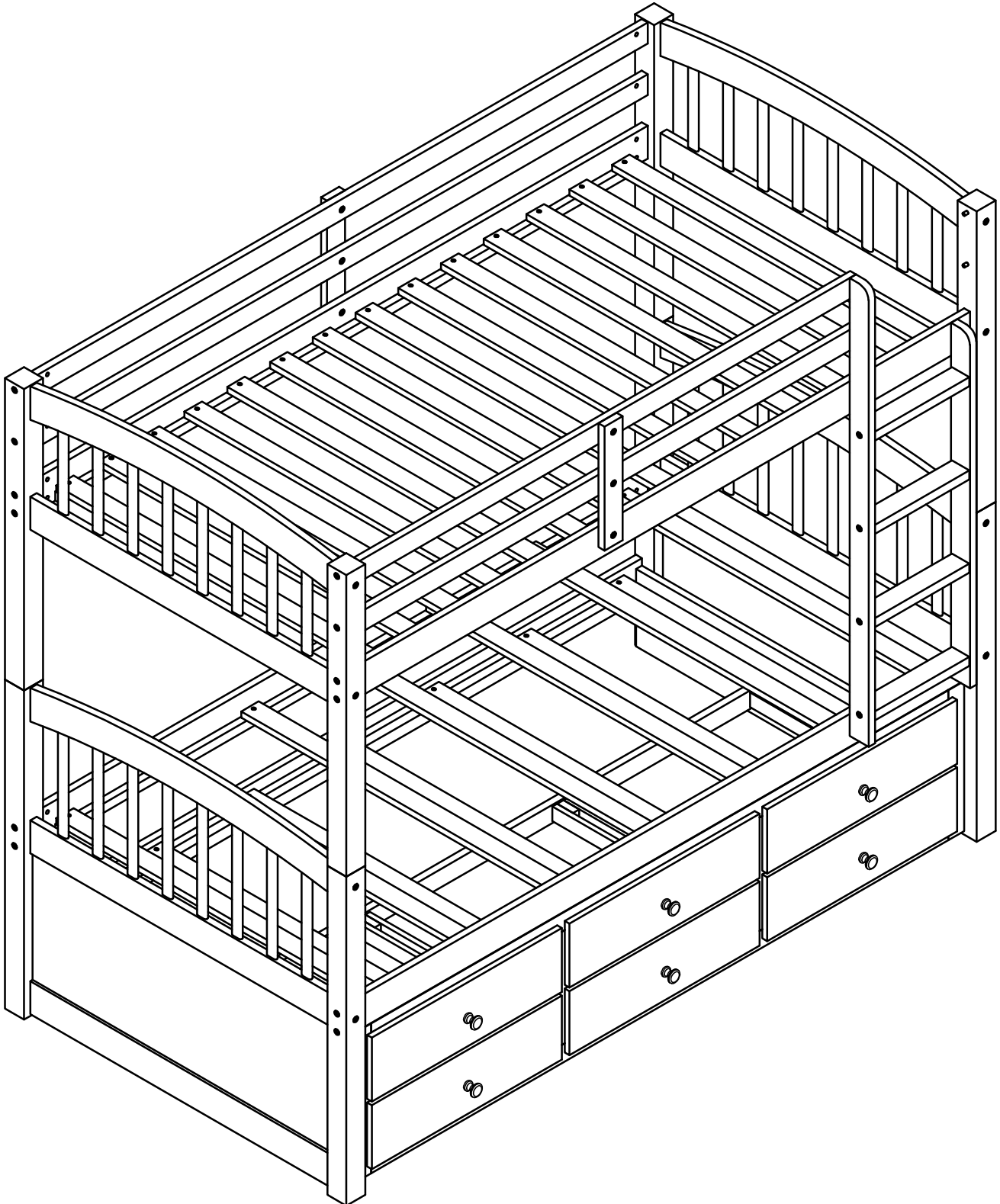


ASSEMBLY INSTRUCTION

This set is included 3 boxes if don't receive full 3 boxes please contact our customer service team





SAFETY WARNING



1. This bed is designed for use only mattress (es) meeting the following specifications on the upper bunk, and lower bunk:

Upper bunk (bunk bed and tribed included)

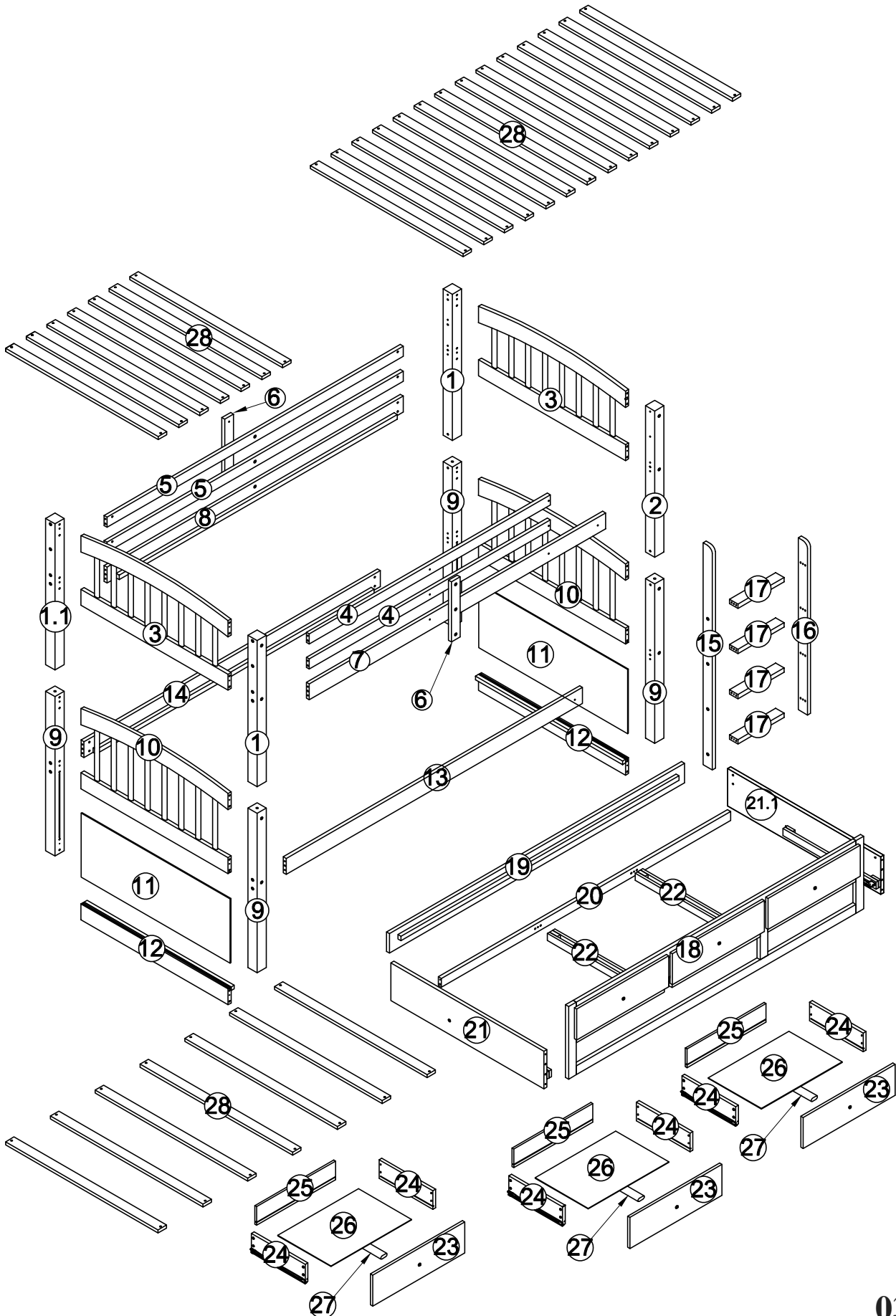
Bed type	Length	Width	Thickness
Twin Standard	74" – 75"	38 ½"	6" max

Lower bunk


Bed type	Length	Width	Thickness
Twin Standard	74" – 75"	37 ½"-38 ½"	8" max


2. Replacement parts, including additional guardrails, maybe obtained from any of our (GIGACLOUD TECHNOLOGY (USA) INC. 18961 ARENTH AVENUE CITY OF INDUSTRY, CA, 91748) dealers
3. Follow the information on the warnings appearing on the upper bunk bed end structure and on the carton. Do not remove warning label from bed.
4. Always use the recommended size mattresses or mattress supports, or both, to help prevent the likelihood of entrapment or falls.
5. Surface of mattress must be at least 5" (127mm) below the upper edge of guardrails.
6. Do not allow children under 6 years of age to use the upper bunk.
7. Periodically check and ensure that the guardrail, ladder, and other components are in their proper position, free from damage, and that all connectors are tight.
8. Do not allow horseplay on or under the bed and prohibit jumping on the bed.
9. Always use the ladder for entering and leaving the upper bunk.
10. Do not use substitute part. Contact the manufacture or dealer for replacement part.
11. Use of a night light may provide added safety precaution for a child using the upper bunk.
12. Always use guardrails on both long sides of the upper bunk. If the bunk bed will be placed next to the wall, the guardrail that runs the full length of the bed should be placed against the wall to prevent entrapment between the bed and wall.
13. The use of water or sleep flotation mattresses is prohibited.
14. **STRANGULATION HAZARD** – Never attach or hang items to any part of the bunk bed that are not designed for use with the bed; for example, but not limited to, hook, belts and jump ropes.
15. Keep these instruction for future reference.
16. Prohibit more than one person on upper bunk
17. We recommend assembling your bunk bed on the shipping carton to protect your floor or carpet.
18. Be certain all staples are out of the box before beginning assembly on the shipping carton.


ASSEMBLY INSTRUCTION

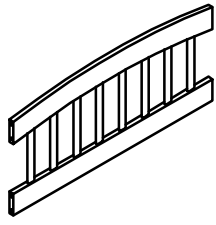



Part List

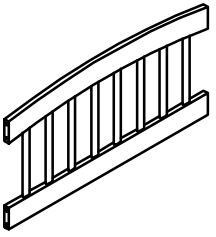
1

2pcs
Upper legs (left-right) 3pcs

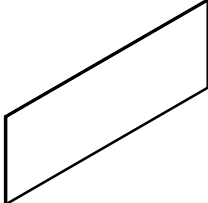
1.1

1pcs


2

Upper legs Front right 1pc

3

Upper side panels 2pcs

9

Below legs (left-right) 4pcs

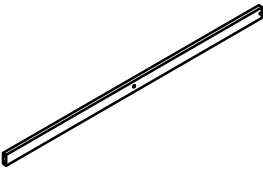


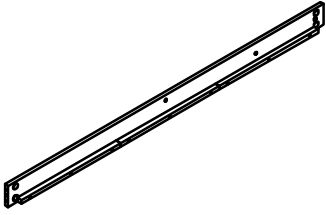
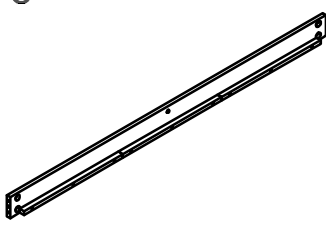
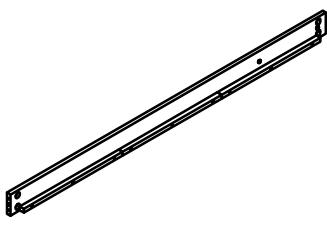
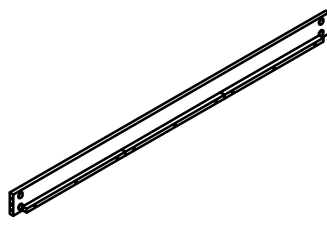


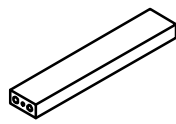
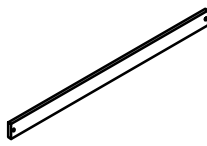
10

Below side panels 2pcs

11

Below panels 2pcs

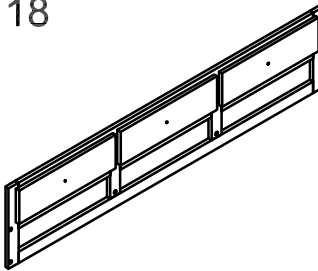
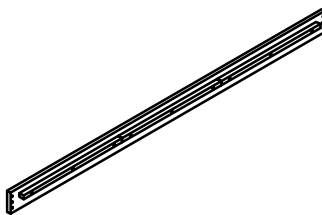
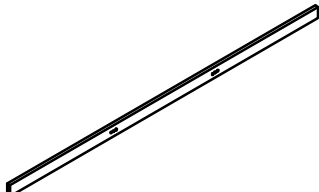
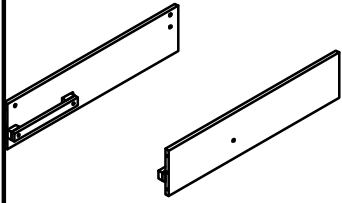
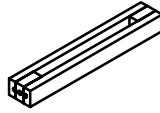
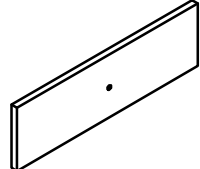
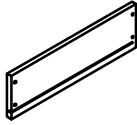
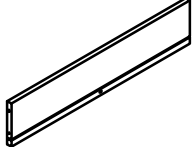
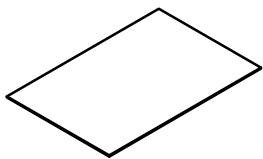
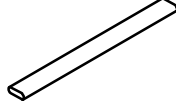
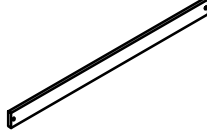
12

Bottom bar 2pcs

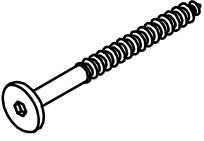
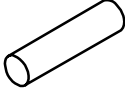
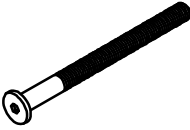



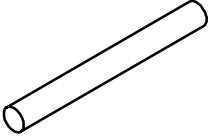
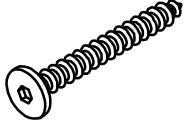




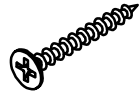

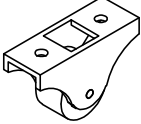
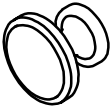

Part List

Hardware List

<p>4</p>  <p>Front guard rails 2pcs</p>	<p>5</p>  <p>Rear guard rails 2pc</p>	<p>6</p>  <p>Guard rail supports 2pcs</p>	<p>7</p>  <p>Upper front side rail 1pc</p>
<p>8</p>  <p>Upper back side rail 1pc</p>	<p>13</p>  <p>Lower front side rail 1pc</p>	<p>14</p>  <p>Lower back side rail 1pc</p>	<p>15</p>  <p>Ladder left side rail 1pc</p>
<p>16</p>  <p>Ladder Right side rail 1pc</p>	<p>17</p>  <p>Step 4pcs</p>	<p>28</p>  <p>Slats 21pcs</p>	

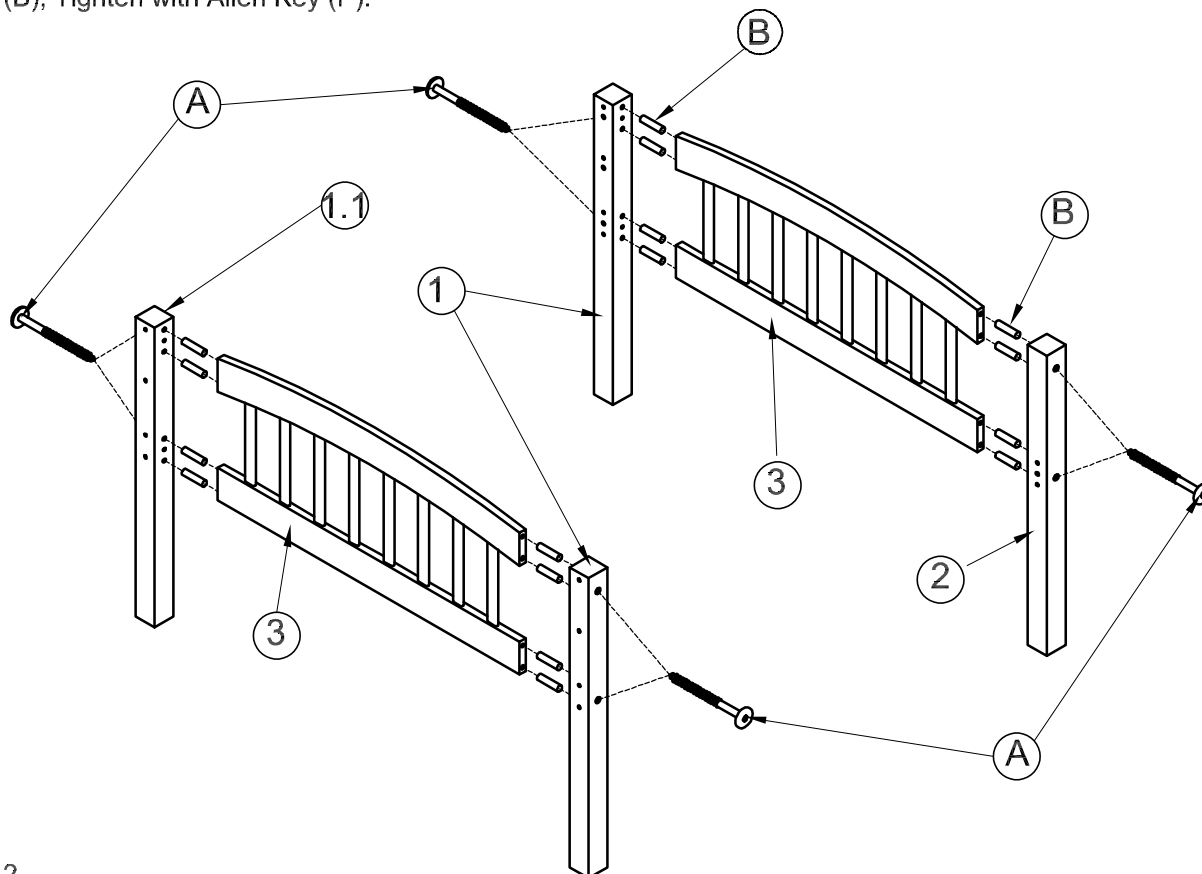
Part List

<p>18</p>  <p>Trundle front panel 1pc</p>	<p>19</p>  <p>Trundle back panel 1pc</p>	<p>20</p>  <p>Long wooden bar 1pc</p>	<p>21 21.1</p>  <p>Trundle (left-right) Side Panel 2pcs</p>
<p>22</p>  <p>Short Wooden Bars 2pcs</p>	<p>23</p>  <p>Drawer front Panels 3Pcs</p>	<p>24</p>  <p>Drawer (left-right) 6Pcs</p>	<p>25</p>  <p>Drawer rear - 3pcs</p>
<p>26</p>  <p>Drawer Bottom Panels - 3pcs</p>	<p>27</p>  <p>Drawer Support Bottom - 3pcs</p>	<p>28</p>  <p>Slats 7pcs</p>	

<p>A</p>  <p>Ø1/4" x 100mm Hexagonal bolts catch wood 20Pcs</p>	<p>B</p>  <p>Ø10 x 40mm Wood dowel 70Pcs</p>	<p>C</p>  <p>Ø1/4" x 100mm Hex-Head bolts 22Pcs</p>	<p>D</p>  <p>Ø1/4" x 13 mm Horizontal-Hole bolts 30pcs</p>	<p>E</p>  <p>Ø1/4" x 25mm Hex-Head bolts 6Pcs</p>
<p>F</p>  <p>Ø1/4" x 15mm Canopy head through 6Pcs</p>	<p>G</p>  <p>Ø12 x 110mm Wood dowel 4Pcs</p>	<p>H</p>  <p>Ø1/4" x 50mm Hexagonal bolts catch wood 10Pcs</p>	<p>I</p>  <p>Ø1/4" x 35mm Hex-Head bolts 10Pcs</p>	<p>J</p>  <p>Ø8 x 30mm Wood dowel 16Pcs</p>
<p>K</p>  <p>Ø1/4" x 70mm Hex-Head bolts 8Pcs</p>	<p>P</p>  <p>Allen Key 1Pc</p>	<p>M</p>  <p>M4 x 30 mm Wood Screws 91 pcs</p>	<p>N</p>  <p>M6 x 20mm Wood Screws 8Pcs</p>	<p>O</p>  <p>Wheels 4Pcs</p>
<p>Q</p>  <p>Knots 6Pcs</p>	<p>W</p>  <p>Small Bolt - 6Pcs</p>			

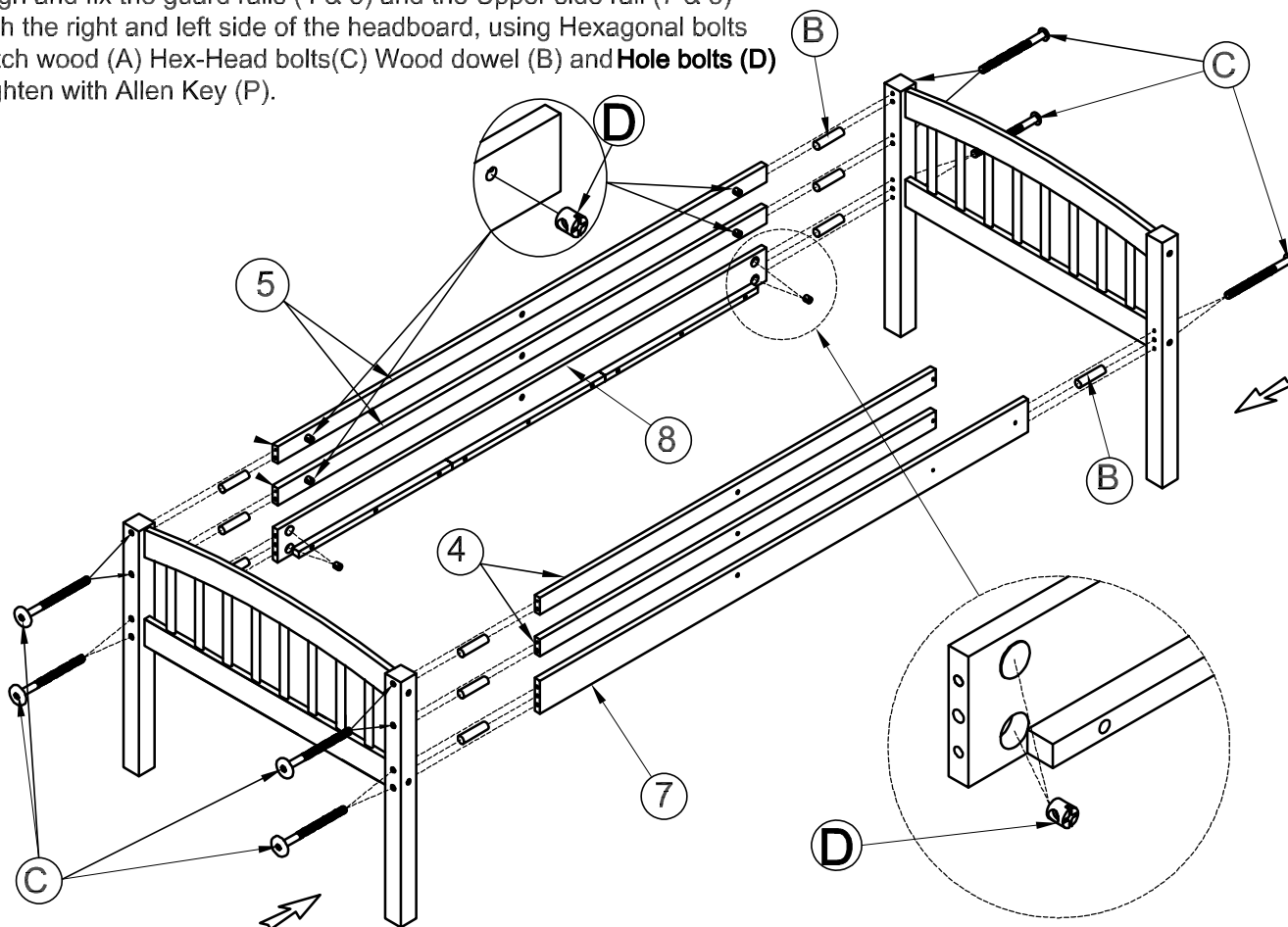
STEP 1

Align and fix Upper legs (1&1.1 & 2) and Upper side panels (3) using Hexagonal bolts catch wood (A) and Wood dowel (B), Tighten with Allen Key (P).



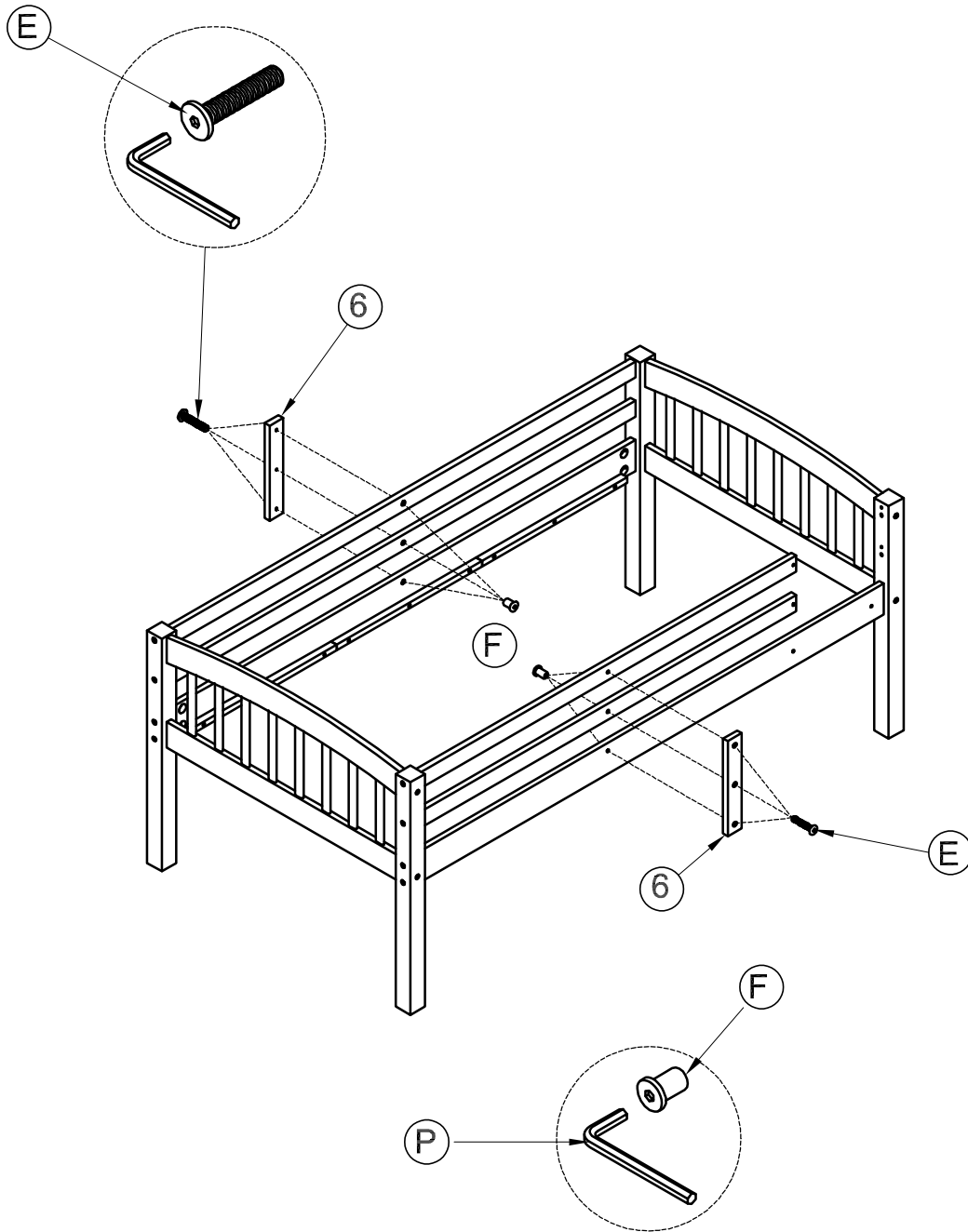
STEP 2

Align and fix the guard rails (4 & 5) and the Upper side rail (7 & 8) with the right and left side of the headboard, using Hexagonal bolts catch wood (A) Hex-Head bolts(C) Wood dowel (B) and Hole bolts (D) Tighten with Allen Key (P).



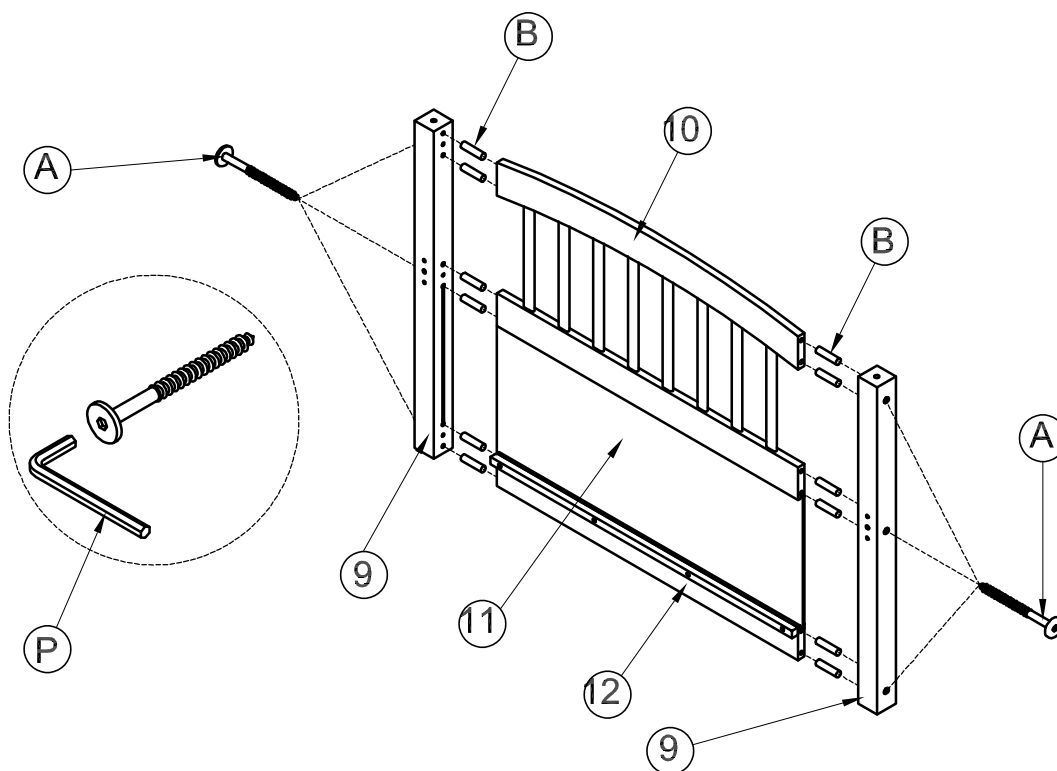
STEP 3

Aligning and fix Guard rail supports (6) with guard rails (4 & 5) and the Upper side rail (7 & 8), Using Hex-Head bolts (E) Canopy head though (F), Tighten with Allen (P) Keys.



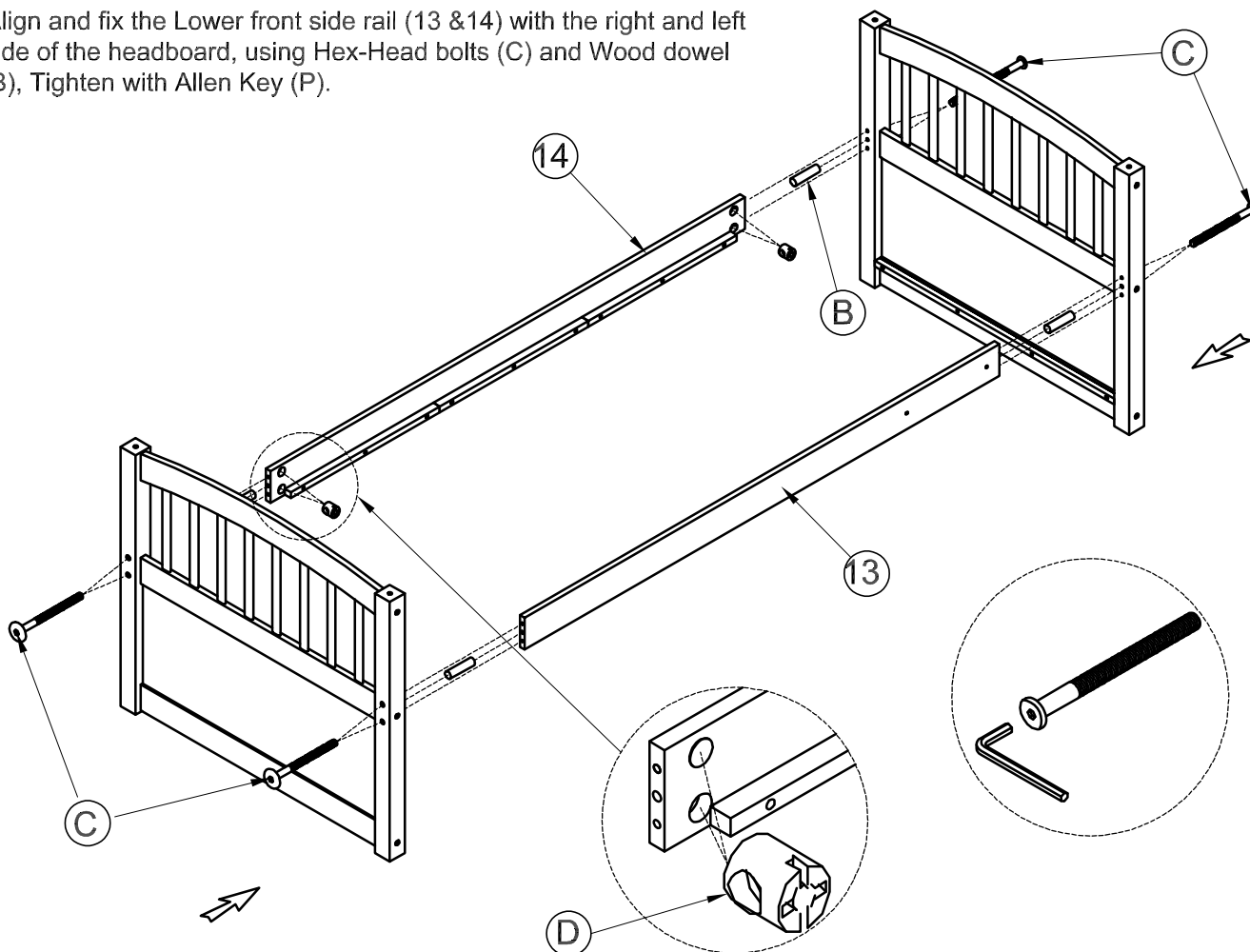
STEP 4

Align and fix Below legs (left-right) (9) Below side panels (10) Below panels (11) Bottom bar (12) using Hexagonal bolts catch wood (A) and Wood dowel (B), Tighten with Allen Key (P).



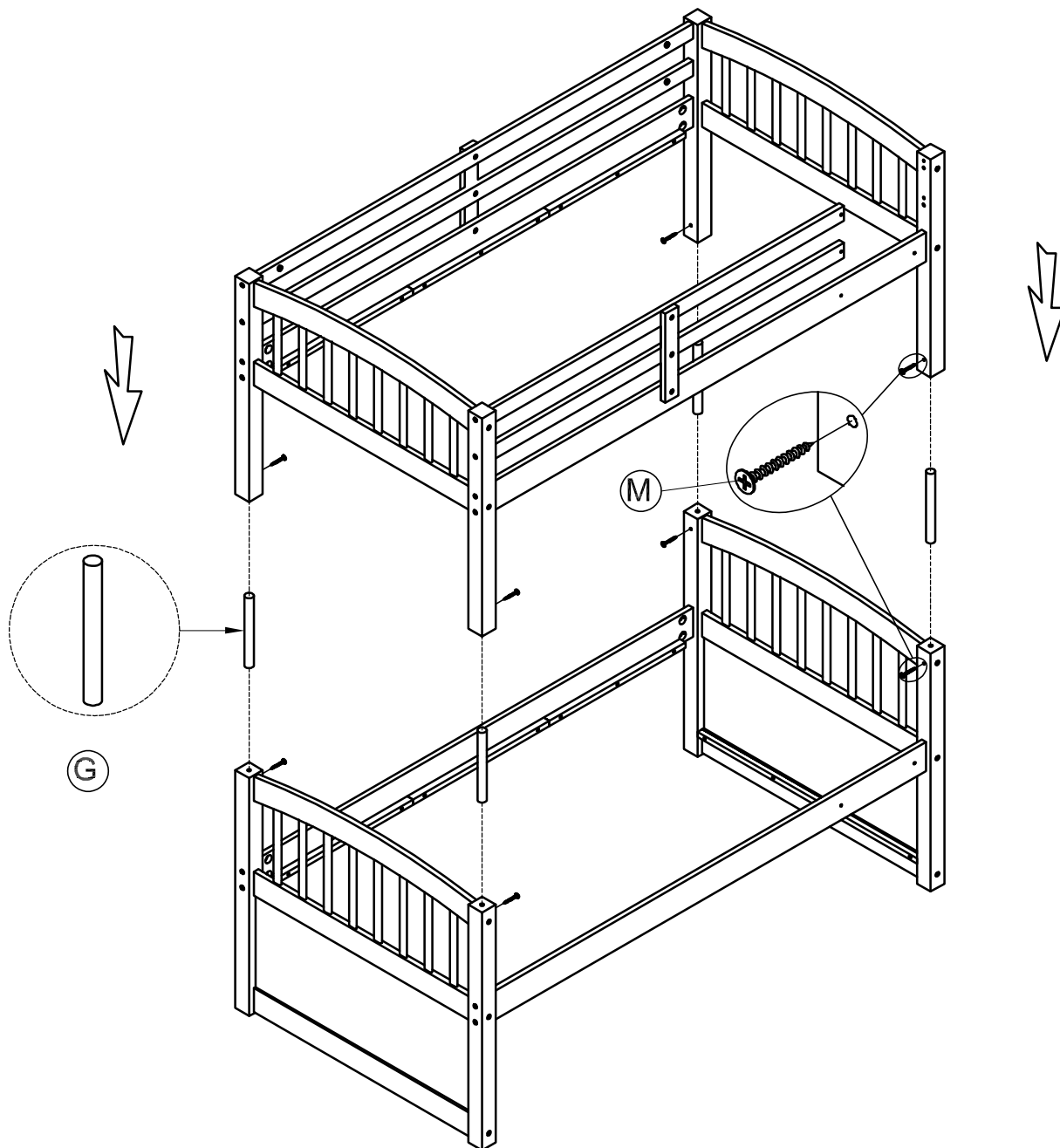
STEP 5

Align and fix the Lower front side rail (13 & 14) with the right and left side of the headboard, using Hex-Head bolts (C) and Wood dowel (B), Tighten with Allen Key (P).



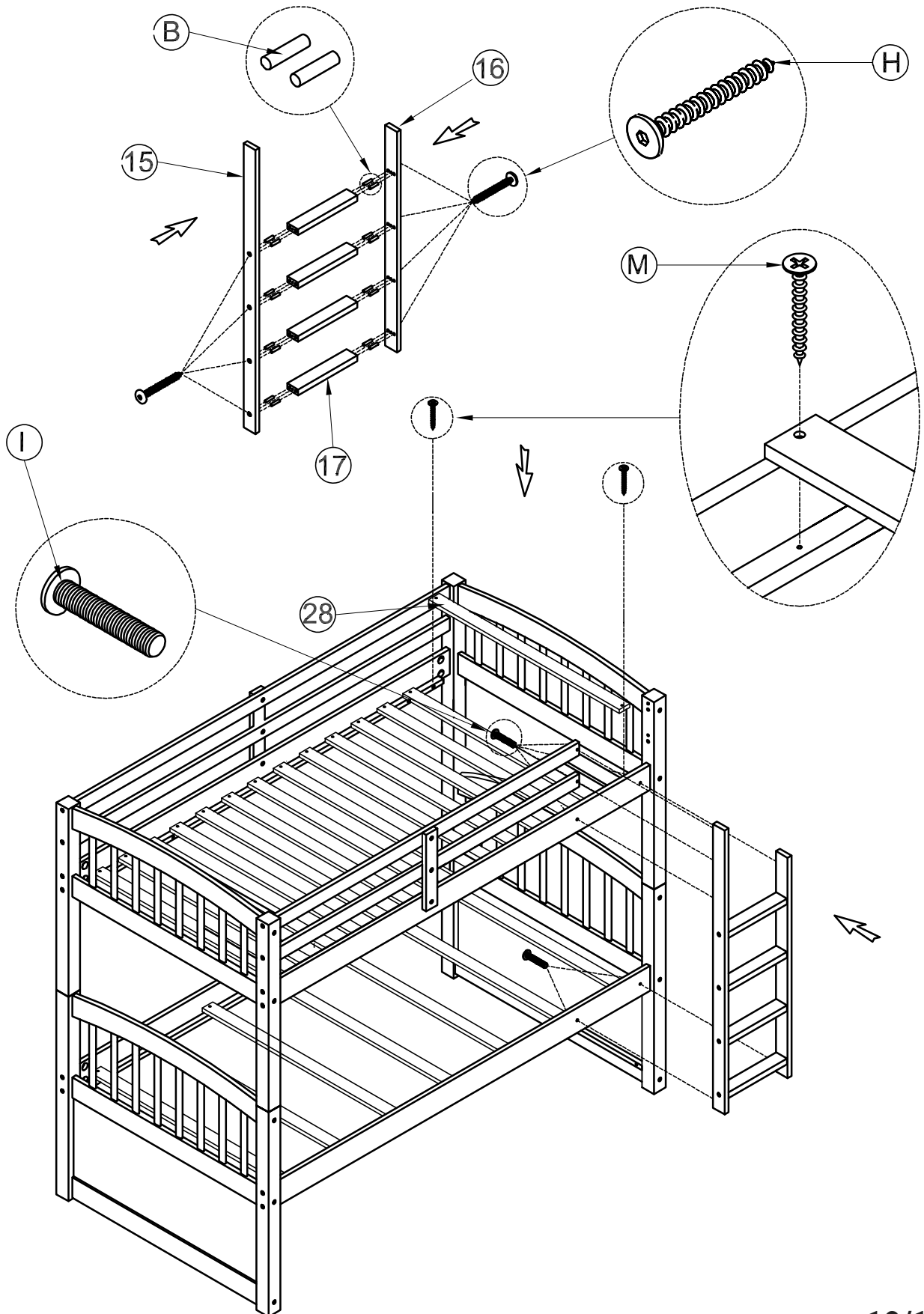
STEP 6

Align Stack upper bunk bed onto lower bunk bed, using Wood dowel (G).



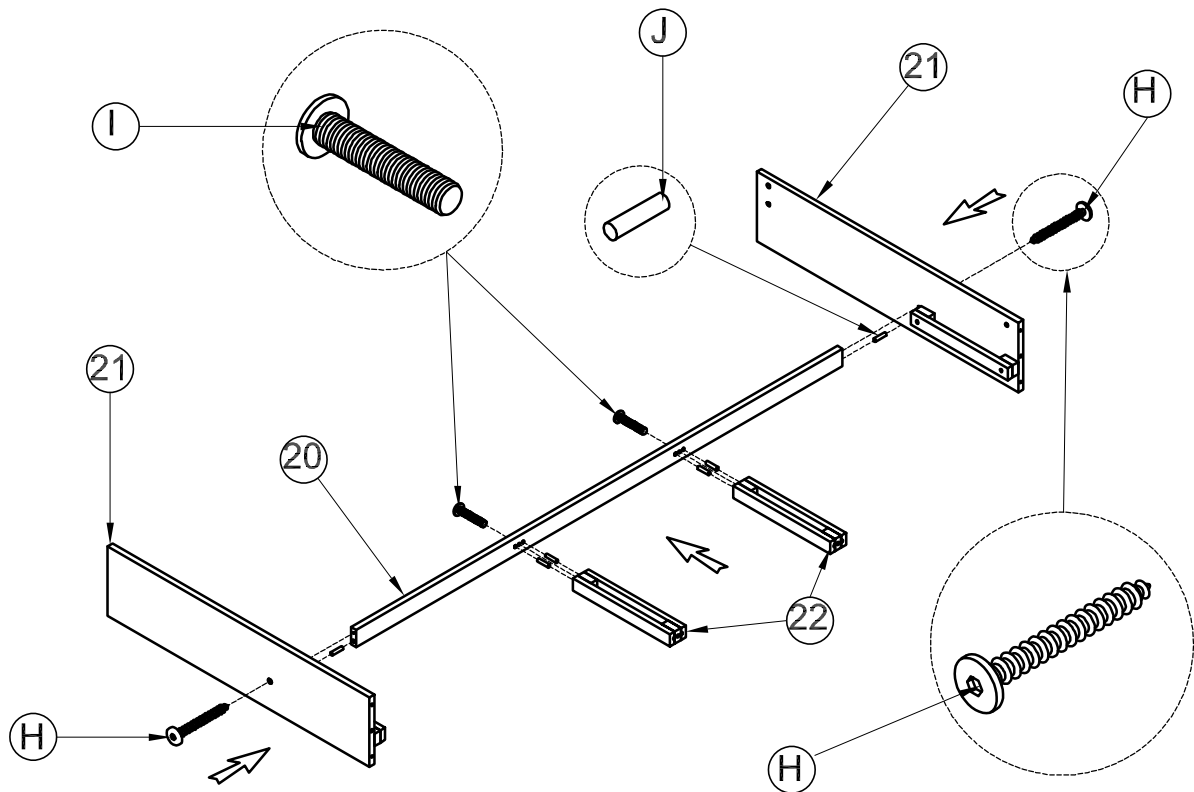
STEP 7

- 1, Align and fix ladder side rail (15&16) ladder stile to ladder step (17) using hexagonal bolts catch wood (H) and Wood dowel (B) tighten with Allen Key (P).
- 2, Align and fasten the ladder to the upper, lower guard rail, using the Hex-Head bolts (I),tighten with Allen Key (P).
- 3, Align and fix Slats (28) using Wood Screws (M), tighten with screw driver (not included)



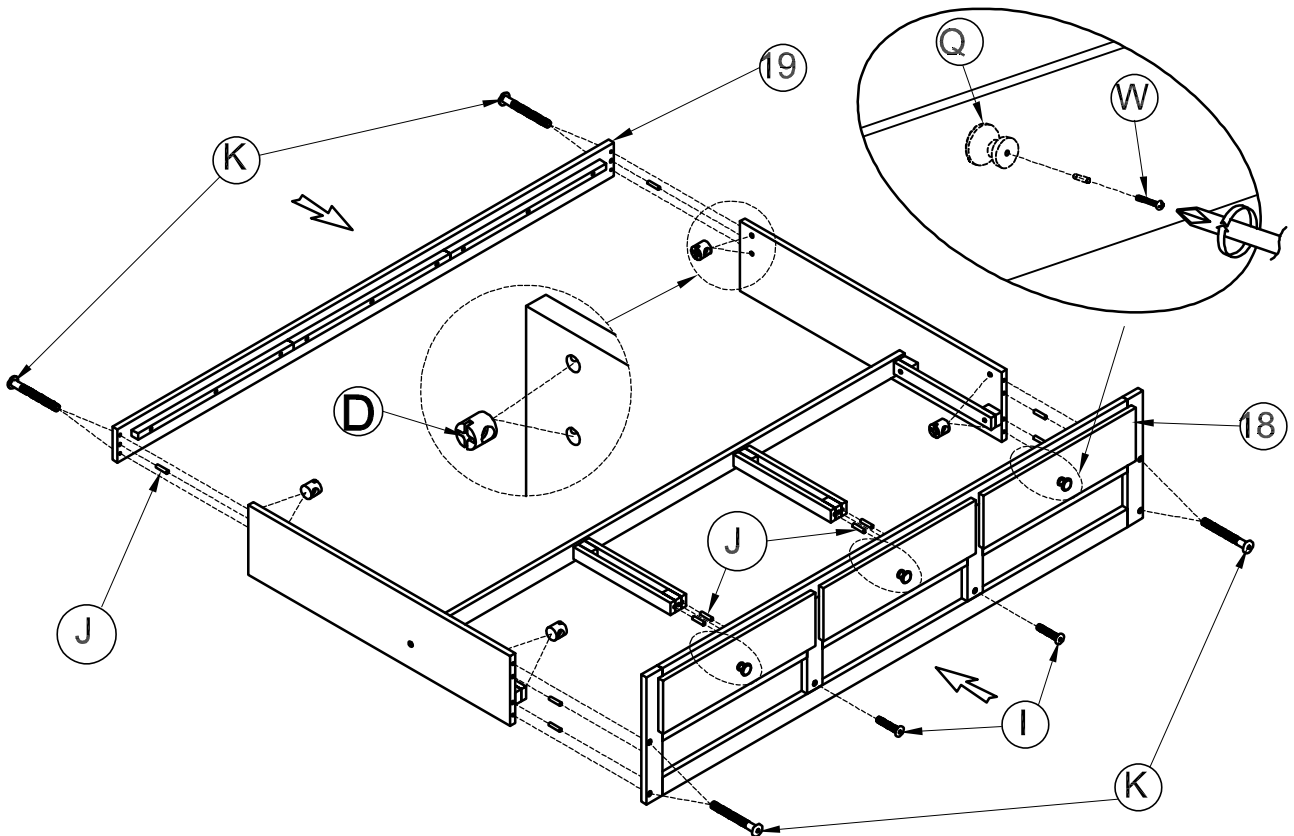
STEP 8

Align and fix Long wooden bar (20) Trundle (left-right) side panel (21) and the Short wooden bars (22) using Hexagonal bolts catch wood (H) Hex-Head bolts (I) and Wood dowel (J), tighten with Allen Key (P).



STEP 9

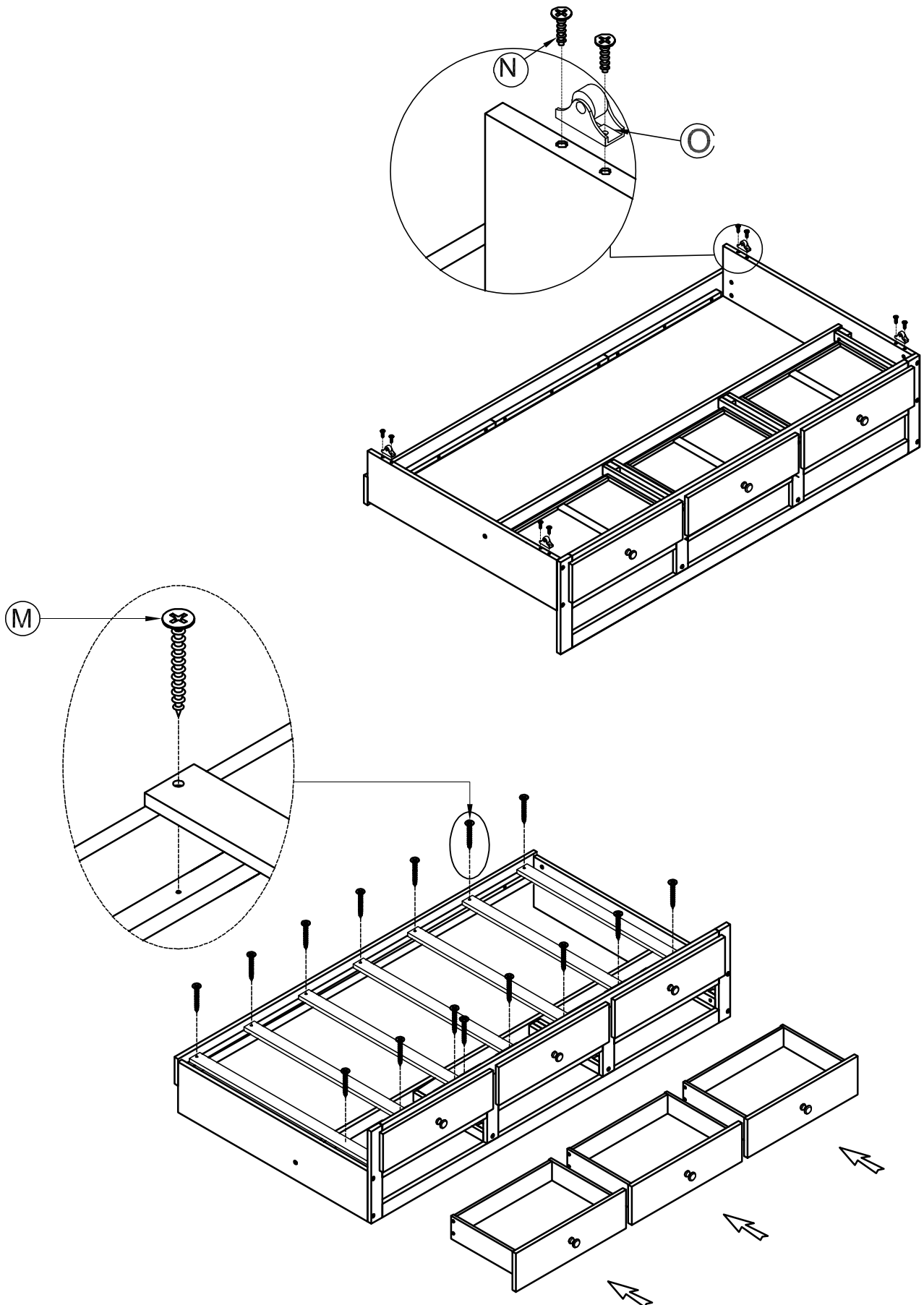
Align and fix Trundle front panel (18) Trundle back panel (19) and cluster link Step 9, using Hex-Head bolts (I) Wood dowel (J) Hex-Head bolts (K) and Horizontal-Hole bolts (D), tighten with Allen Key (P).



STEP 11

1, Align and fix Wheels (O) using Wood Screws (N), tighten with screw driver (not included)

2, Align and fix Slats (28) using Drawer Support bottom (M), tighten with screw driver (not included)



STEP 12

Push trundle into the lower bed as shown.

