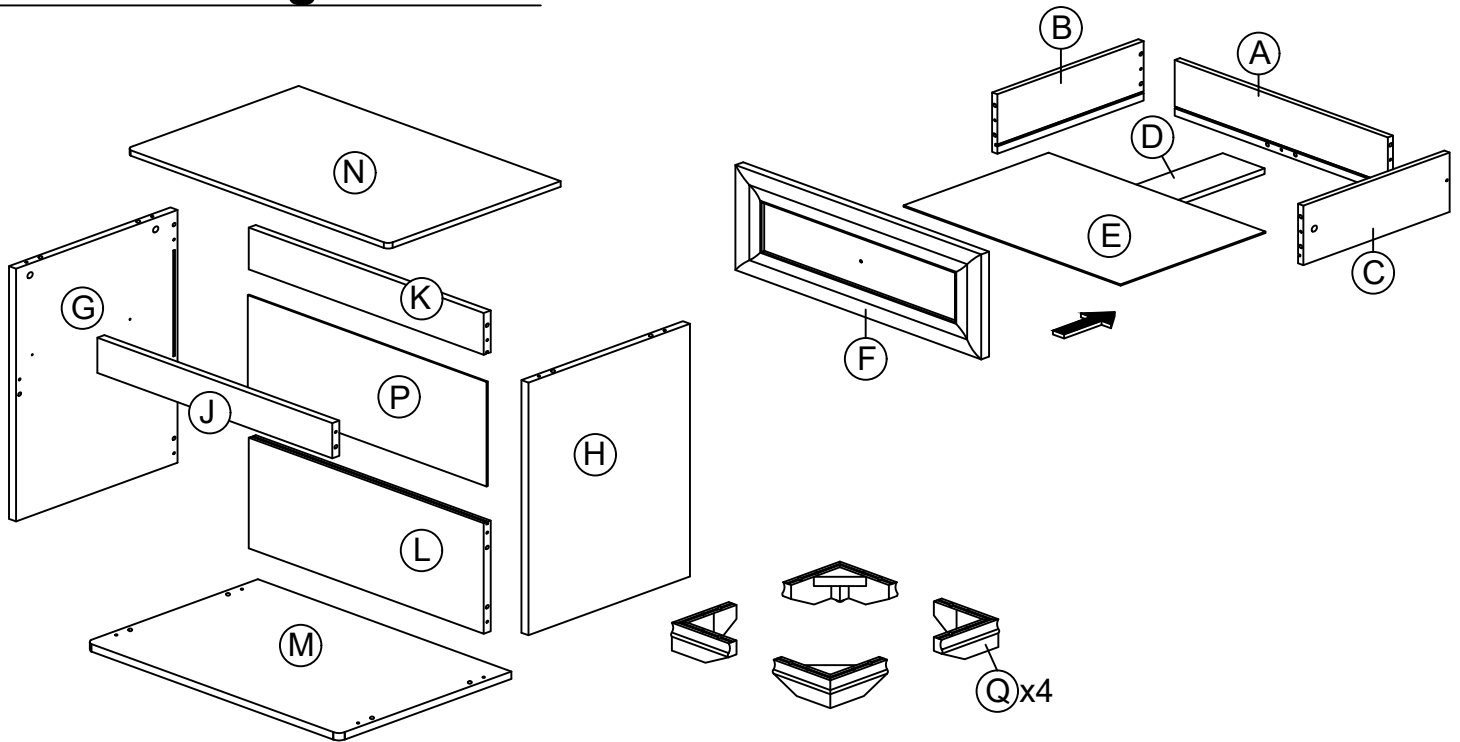


ASSEMBLY INSTRUCTION






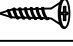
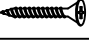
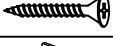








1 Drawer Night Stand



PART LIST

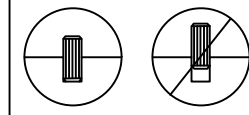
A	Drawer Back	x1
B	Drawer Left Side	x1
C	Drawer Right Side	x1
D	Drawer Support	x1
E	Drawer Bottom	x1
F	Drawer Front	x1
G	Left Side	x1
H	Right Side	x1
J	Middle Front Rail	x1
K	Top Back Rail	x1
L	Bottom Back Rail	x1
M	Bottom Panel	x1
N	Top	x1
P	Back Panel	x1
Q	Leg	x4

HARDWARE LIST

1	Cam lock		x15
3	Camlock Bolt		x15
10	M6x50MM Screw		x4
20	M8x25MM Wood Dowel		x24
23	M6x30MM Wood Dowel		x12
30	M3.5x12MM Screw		x14
36	M4x38MM Screw		x3
38	M4.5x45MM Screw		x8
40	M4 Allen Key		x1
50	Washer		x1
57L	Left Panel Drawer Track		x1
57R	Right Panel Drawer Track		x1
58L	Left Drawer Track		x1
58R	Right Drawer Track		x1
60	Handle Screw		x1
73	Handle		x1

ASSEMBLY INSTRUCTION

Step 1

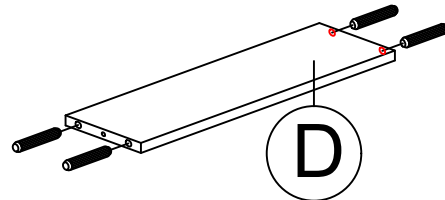
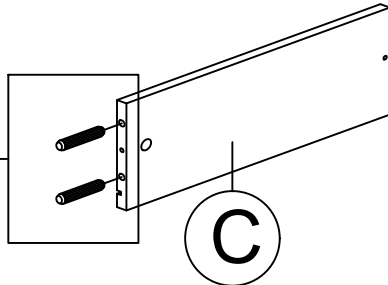
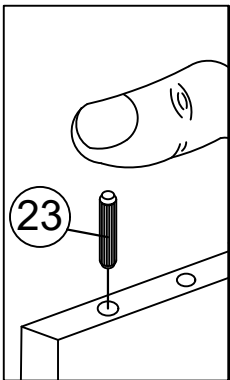
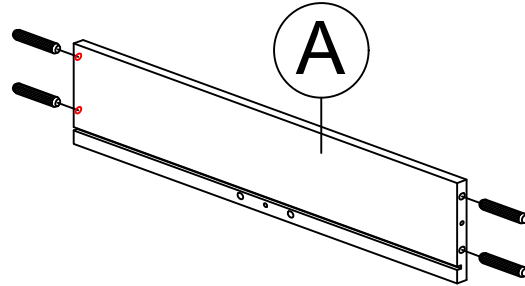
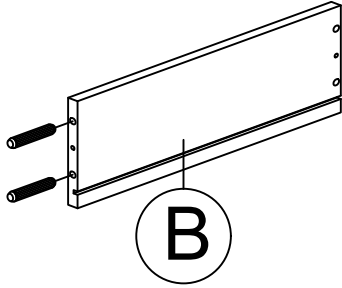


Required/Requis/Requerido

x12



23



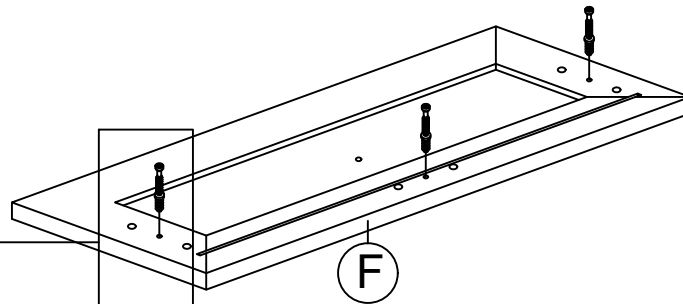
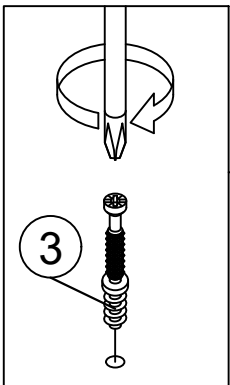
Step 2

Required/Requis/Requerido

x3



3



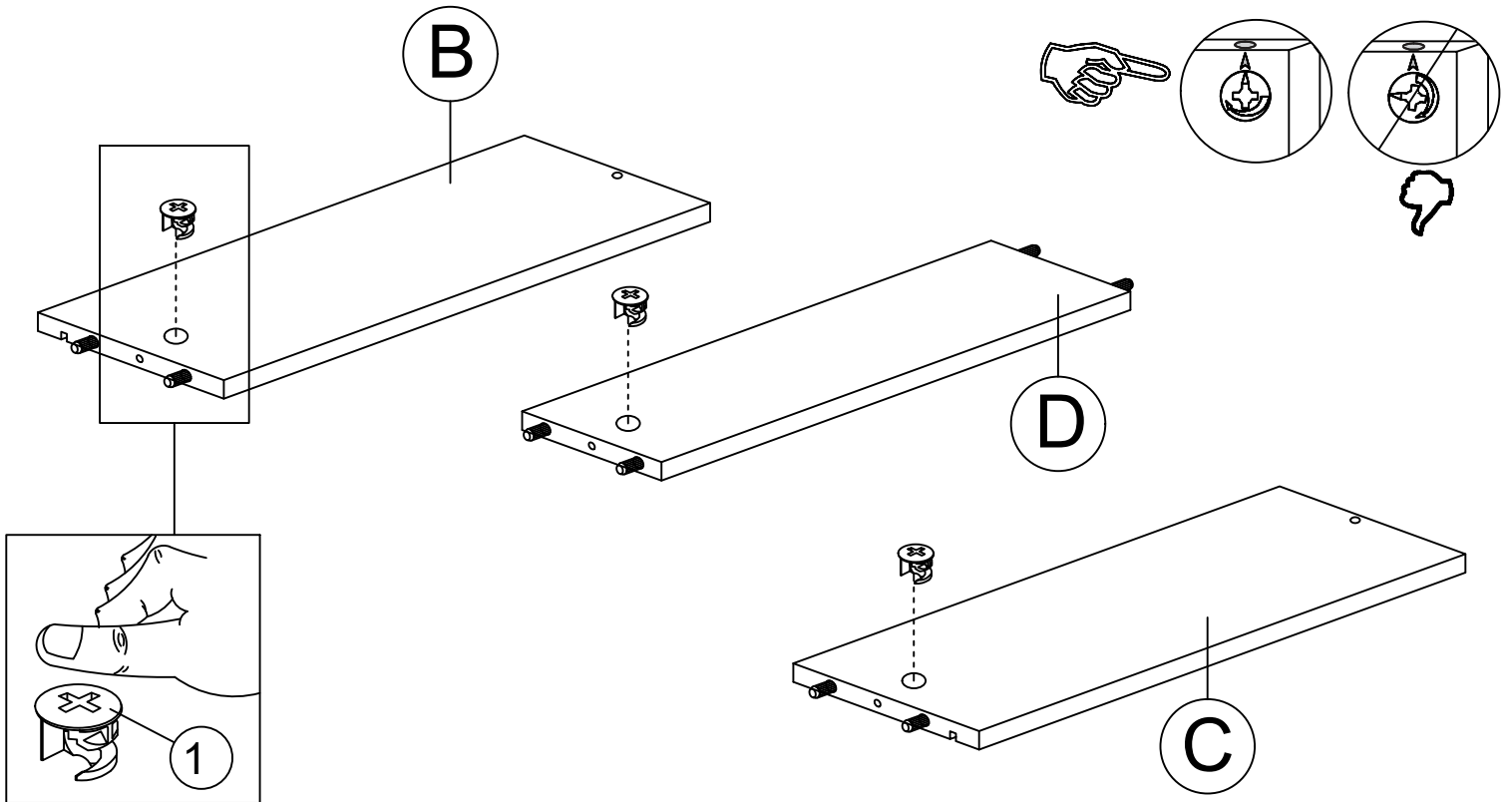
ASSEMBLY INSTRUCTION

Step 3

Required/Requis/Requerido

x3

 1

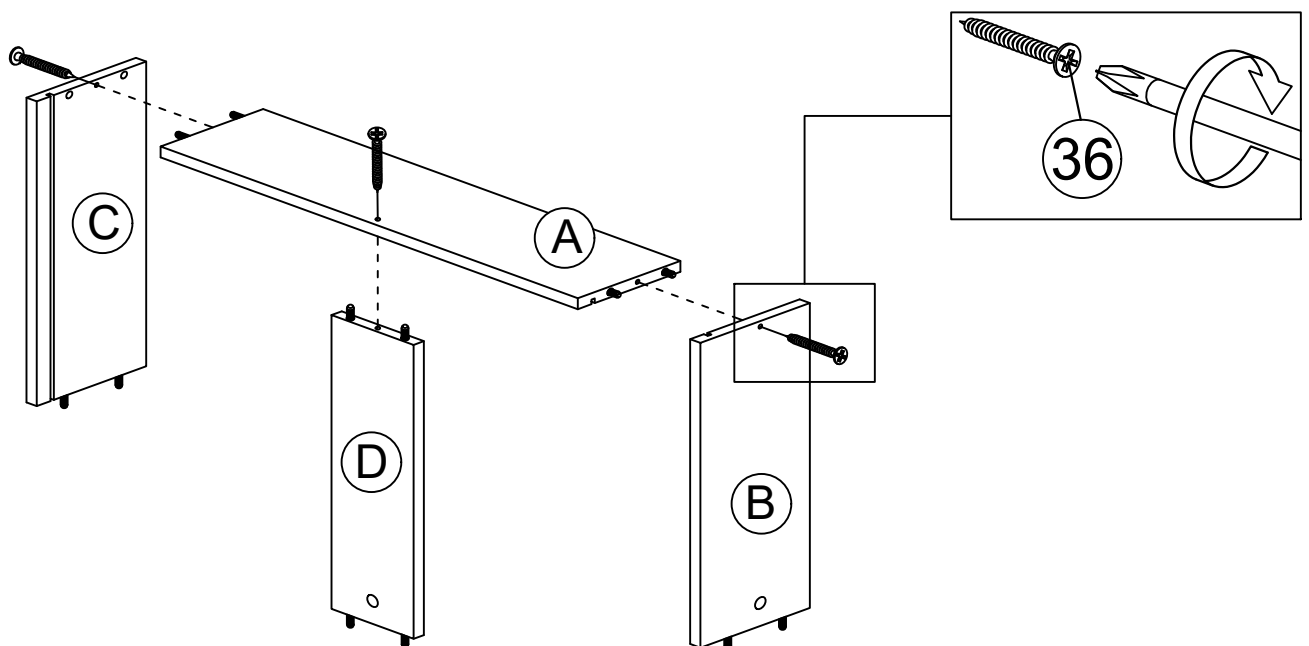


Step 4

Required/Requis/Requerido

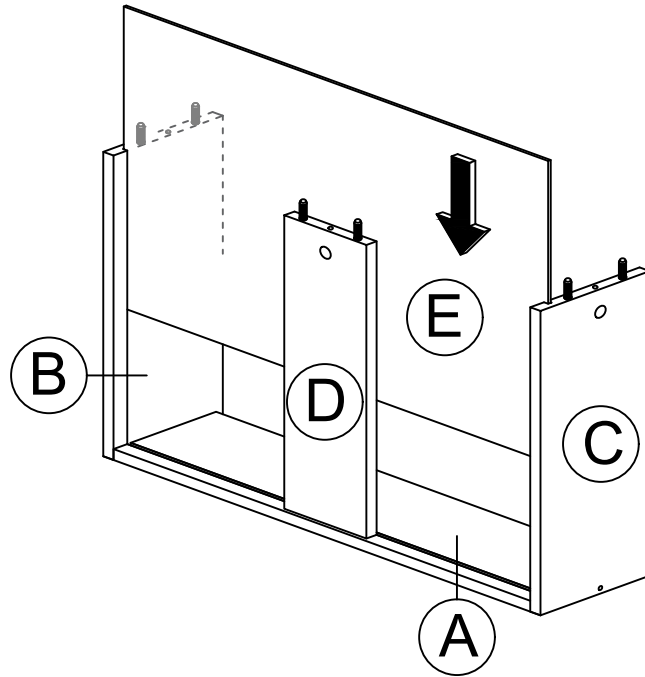
x3

 36

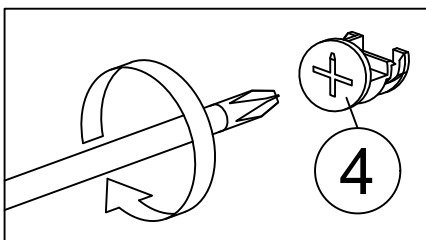
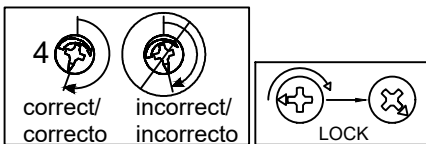
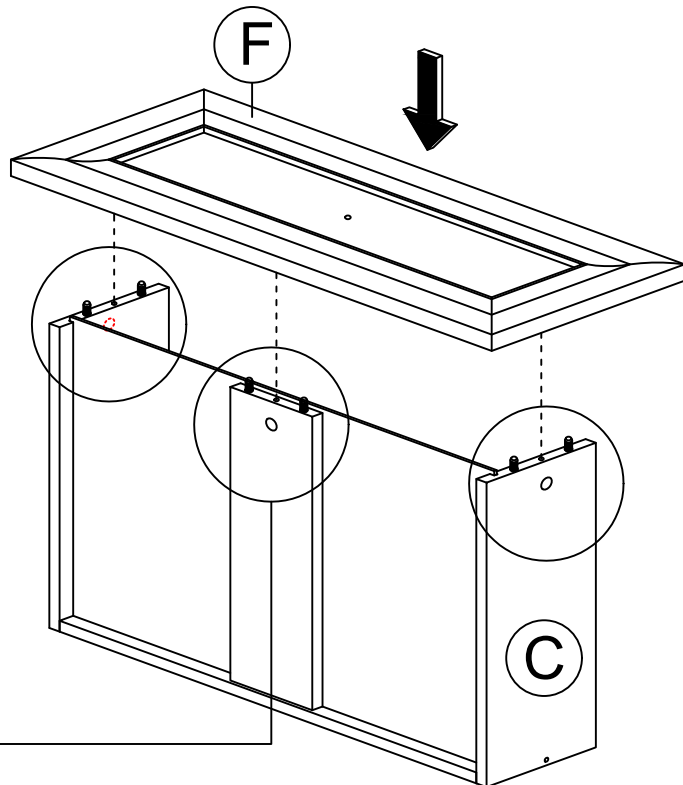


ASSEMBLY INSTRUCTION

Step 5



Step 6



ASSEMBLY INSTRUCTION

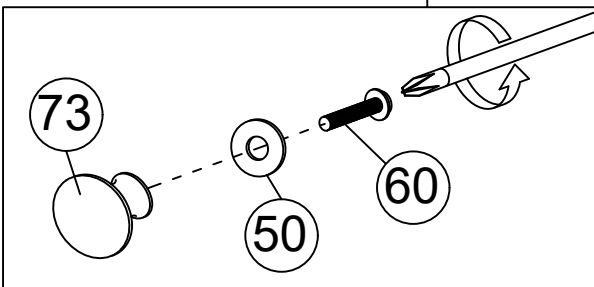
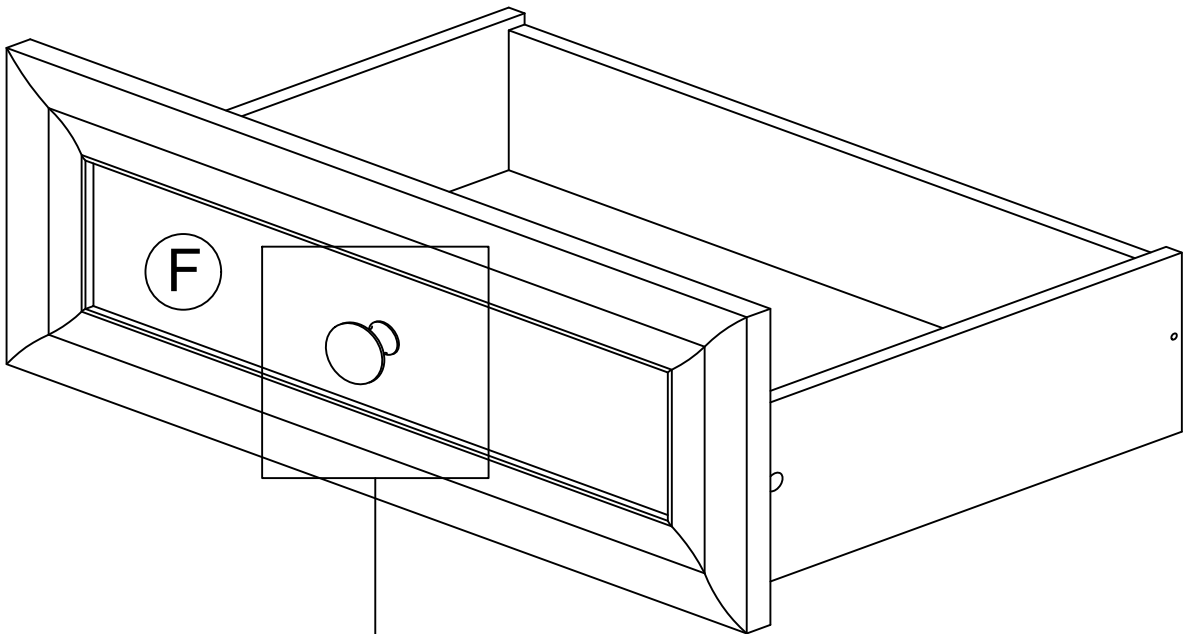
Step 7

Required/Requis/Requerido

x1  73

x1  60




x1  50

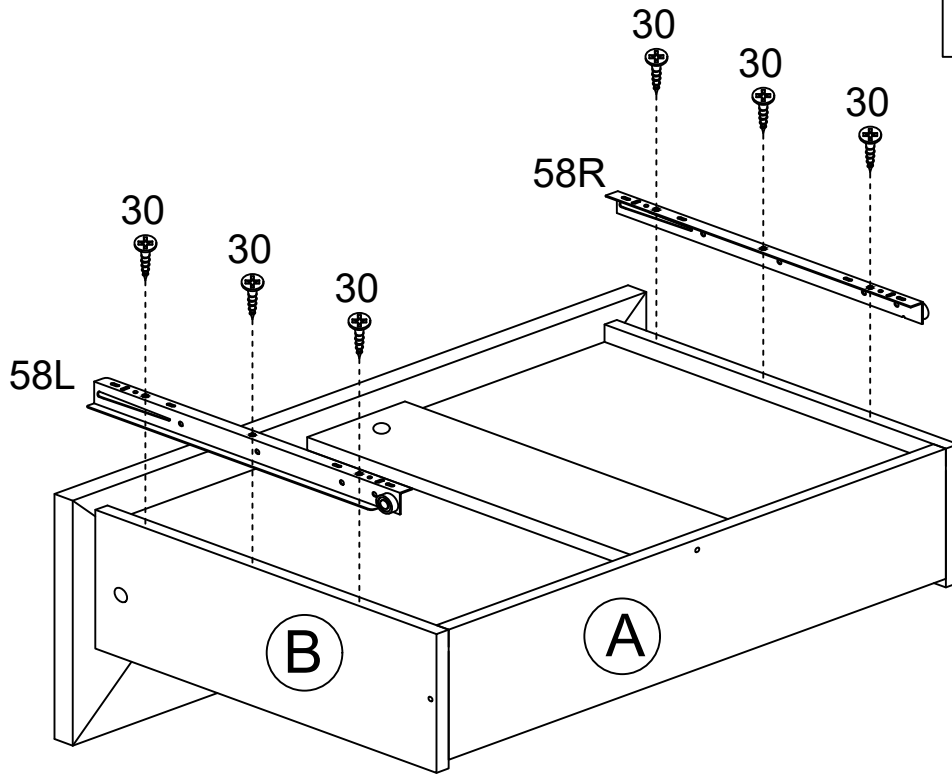


ASSEMBLY INSTRUCTION

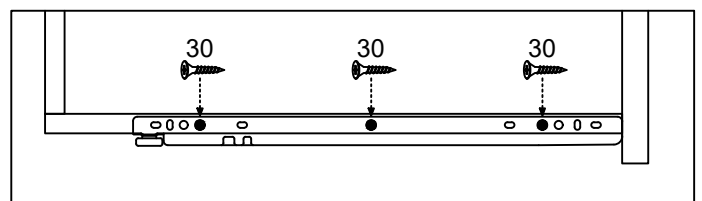
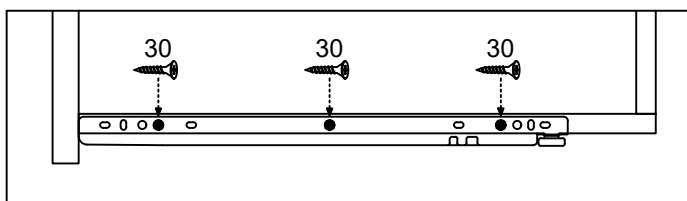
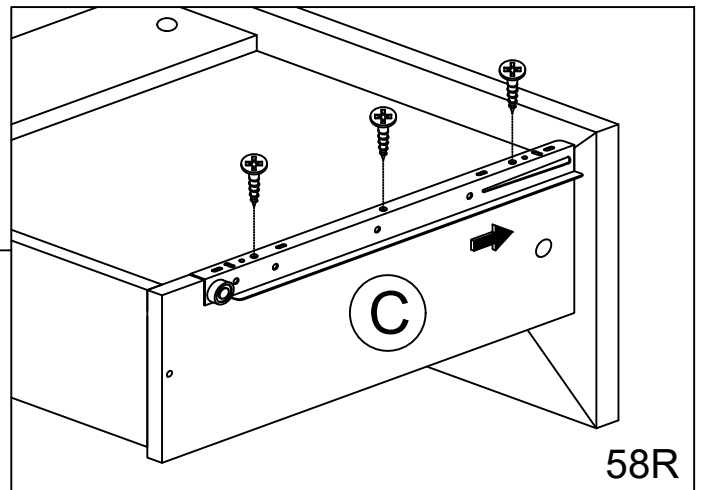
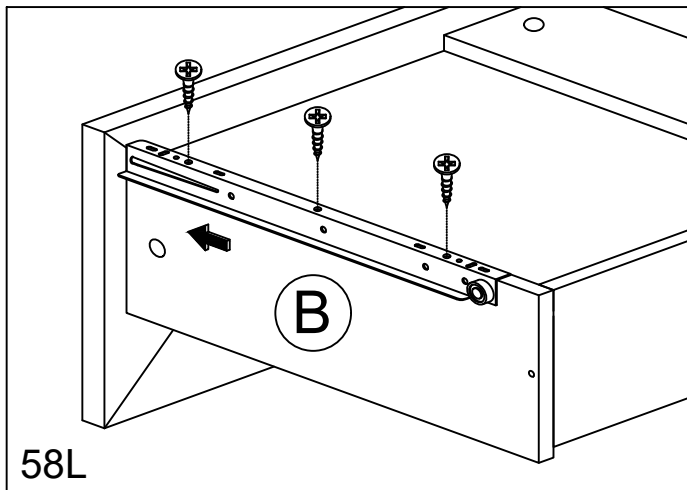
Step 8

Required/Requis/Requerido

x6		30
x1		58L
x1		58R

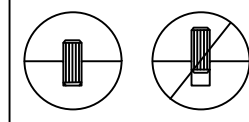


Bottom View



ASSEMBLY INSTRUCTION

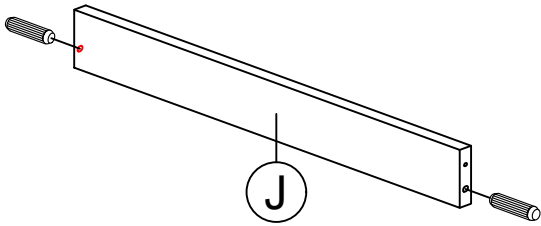
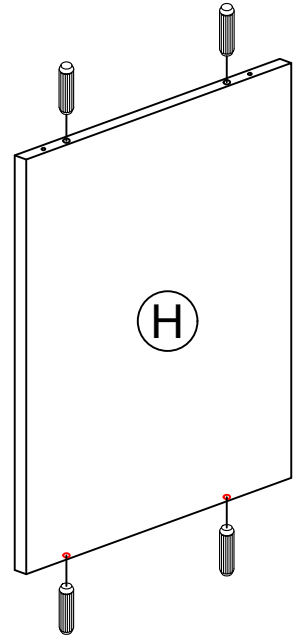
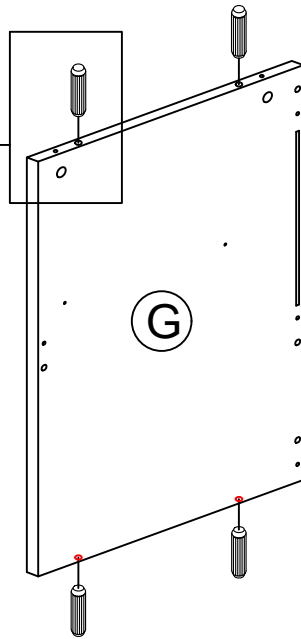
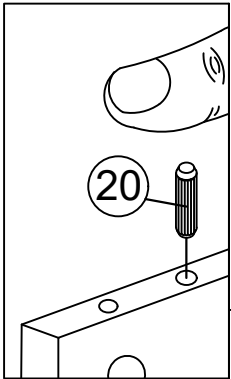
Step 9



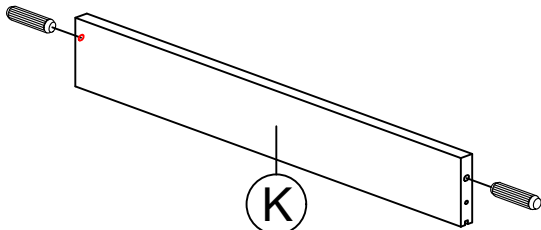
Required/Requis/Requerido

x24

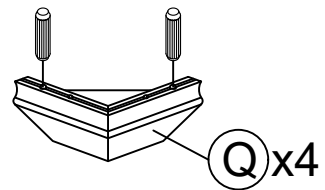
 20



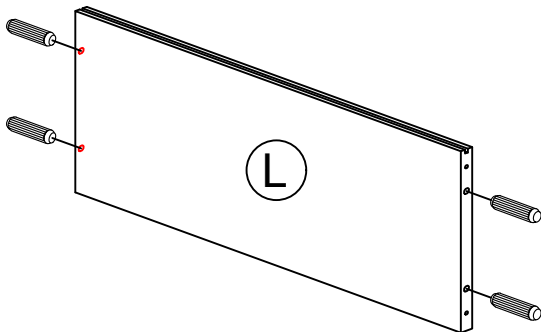
J



K



Q x4



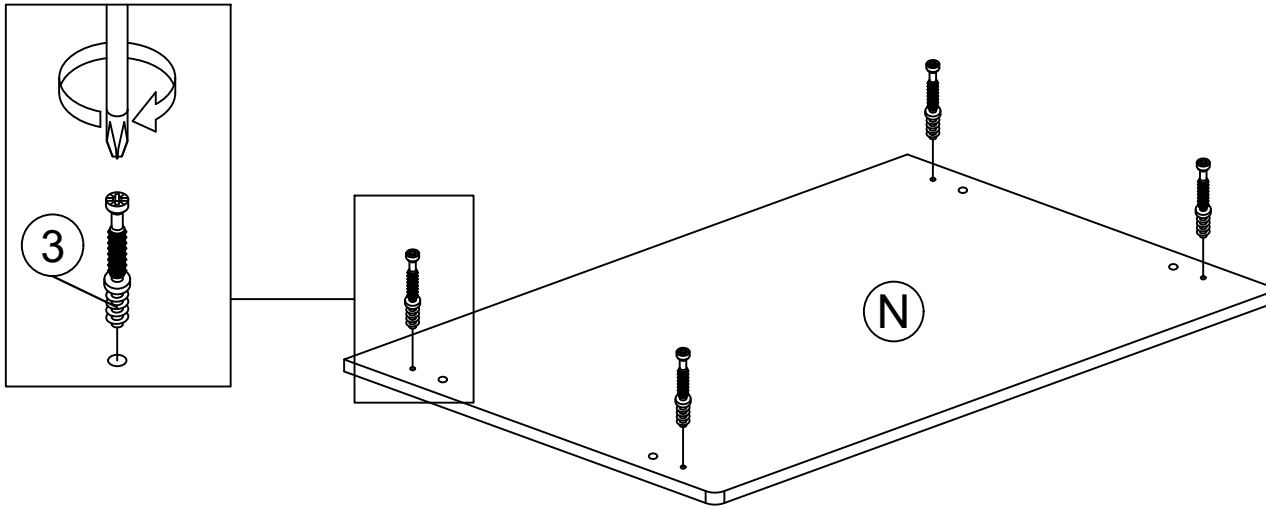
L

ASSEMBLY INSTRUCTION

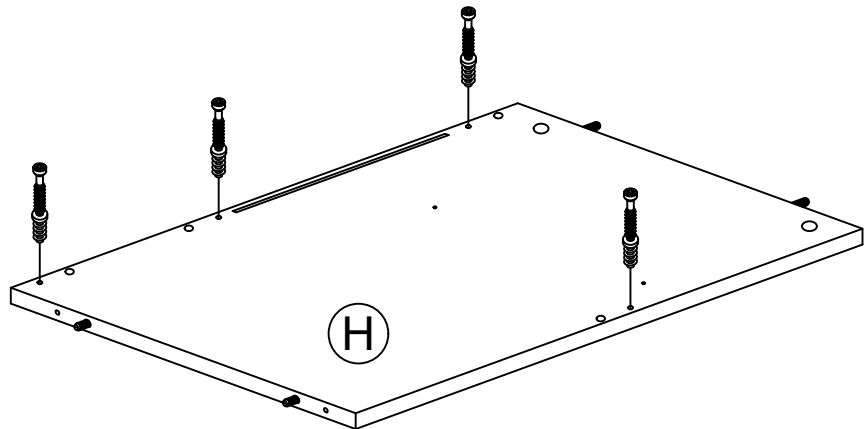
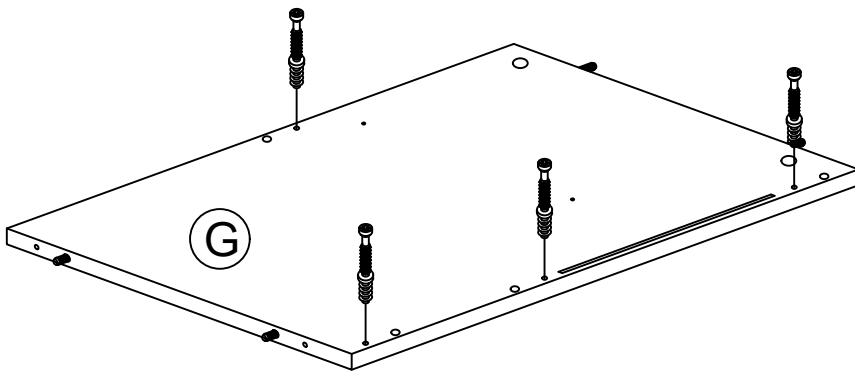
Step 10

Required/Requis/Requerido

x12



Bottom View



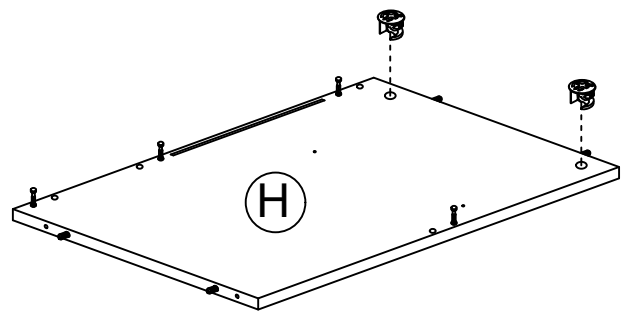
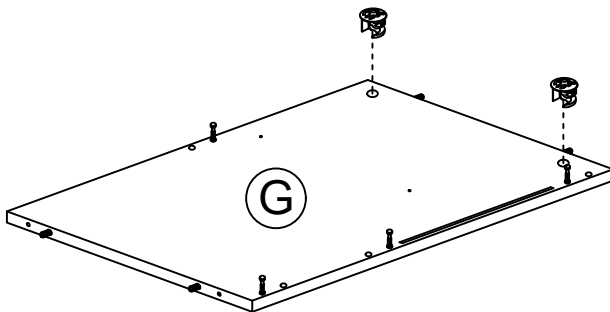
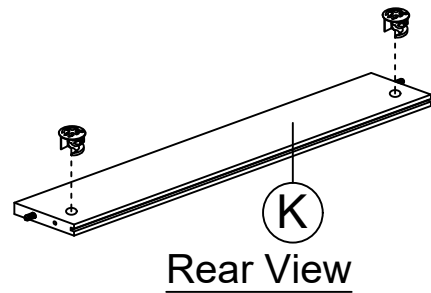
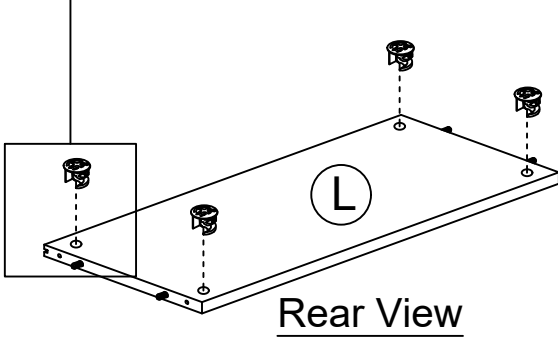
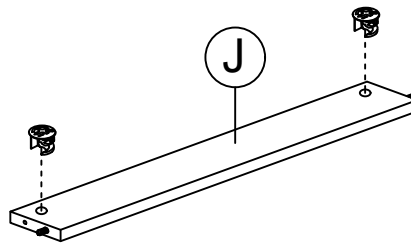
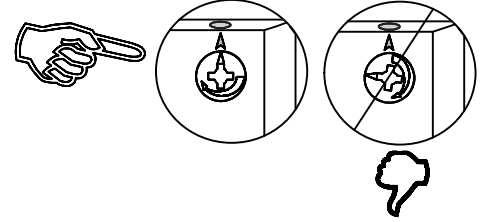
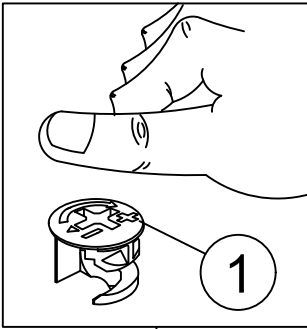
ASSEMBLY INSTRUCTION

Step 11

Required/Requis/Requerido

x12

1



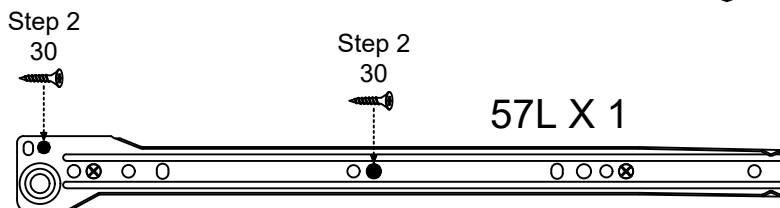
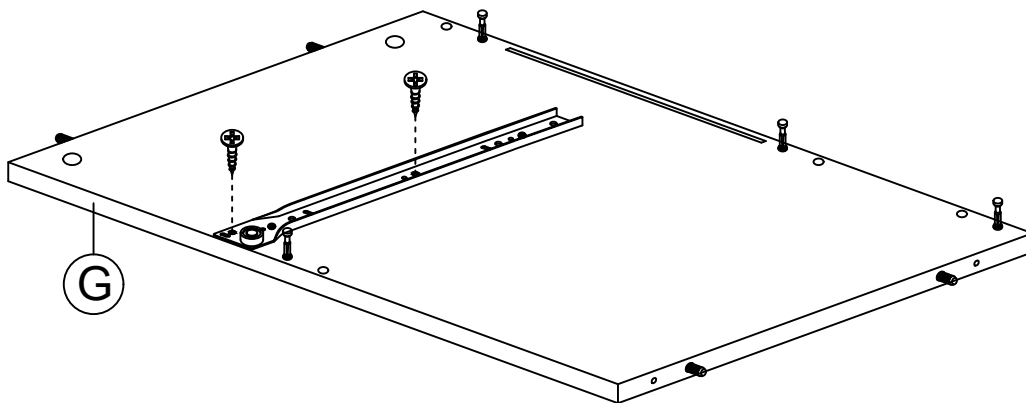
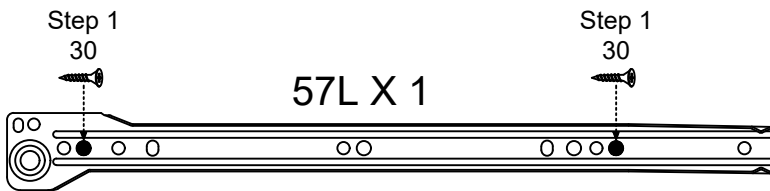
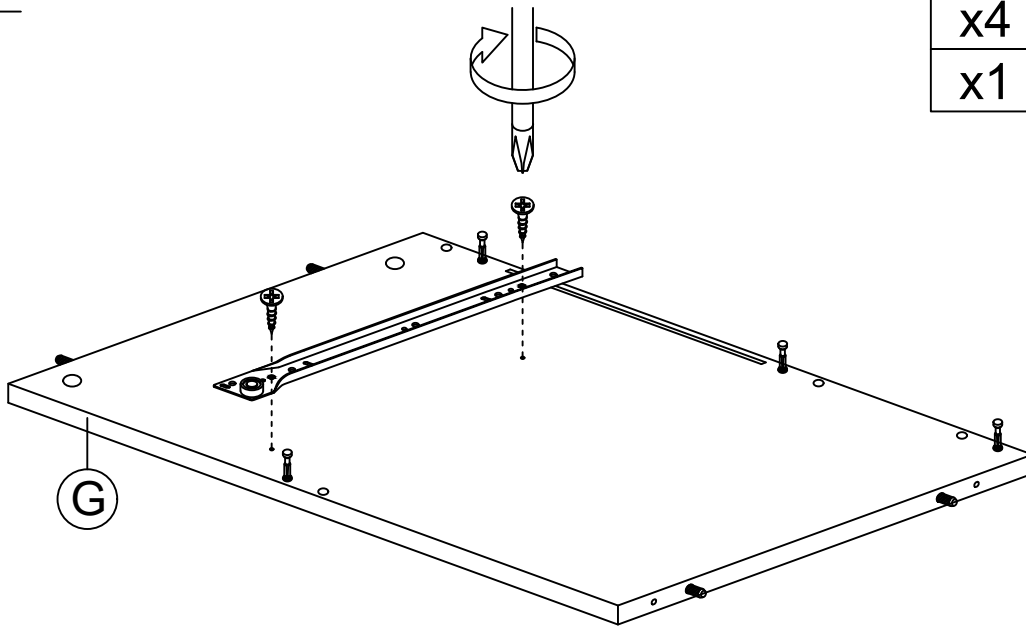
ASSEMBLY INSTRUCTION

Step 12

Required/Requis/Requerido

x4  30

x1  57L



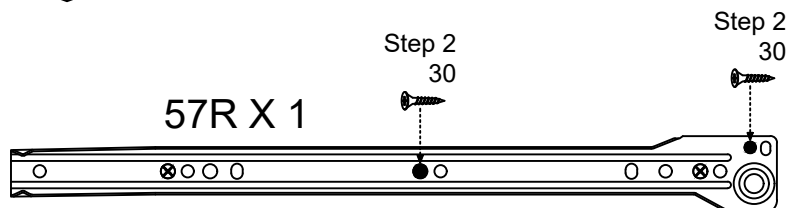
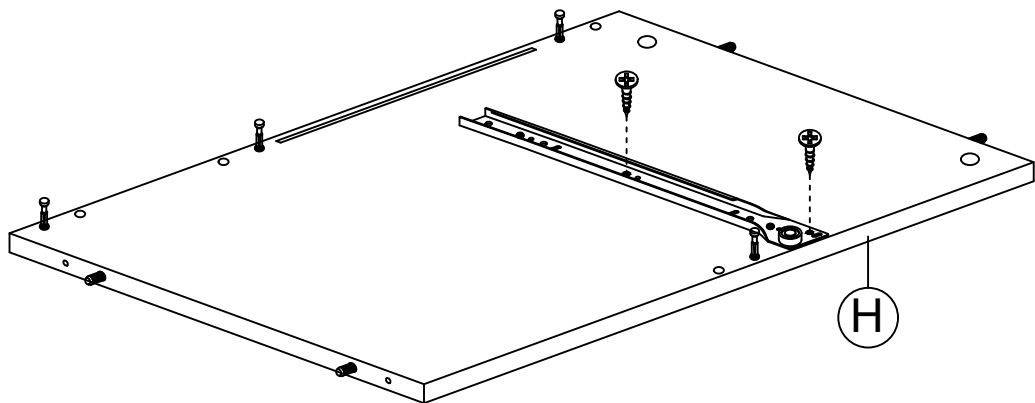
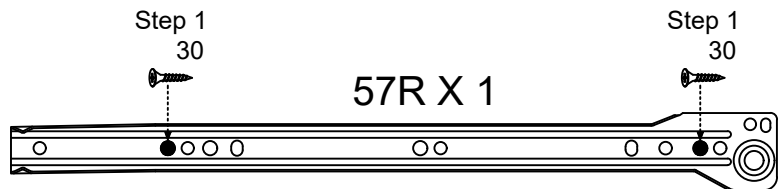
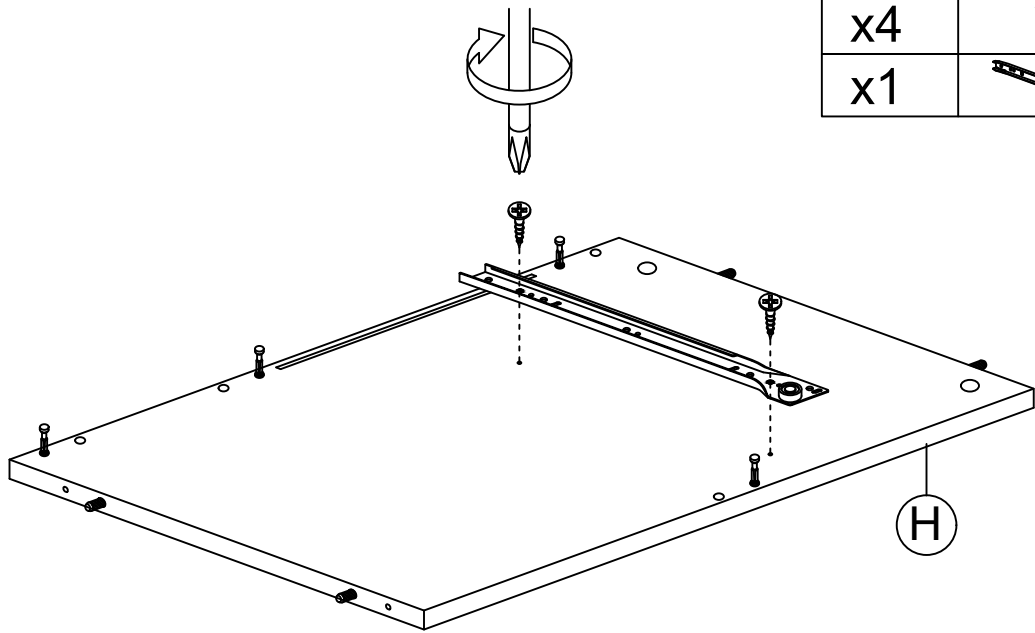
ASSEMBLY INSTRUCTION

Step 13

Required/Requis/Requerido

x4  30

x1  57R

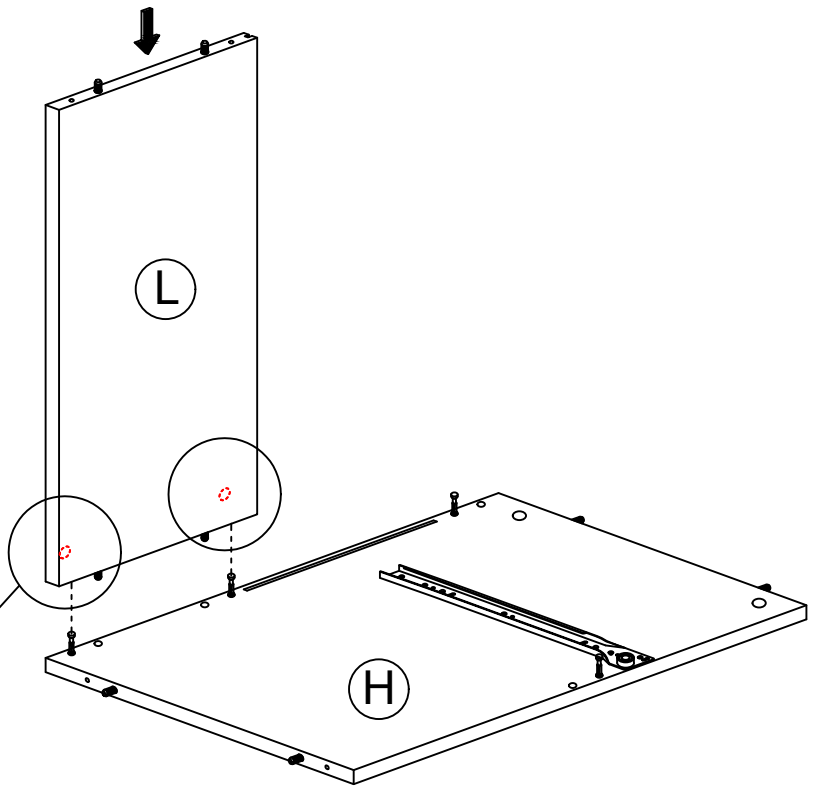
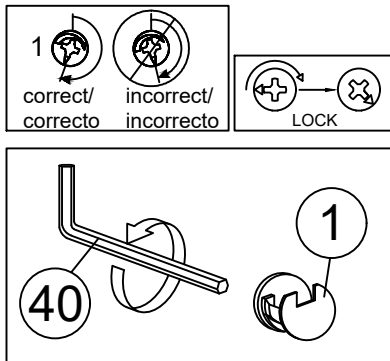


ASSEMBLY INSTRUCTION

Step 14

Required/Requis/Requerido

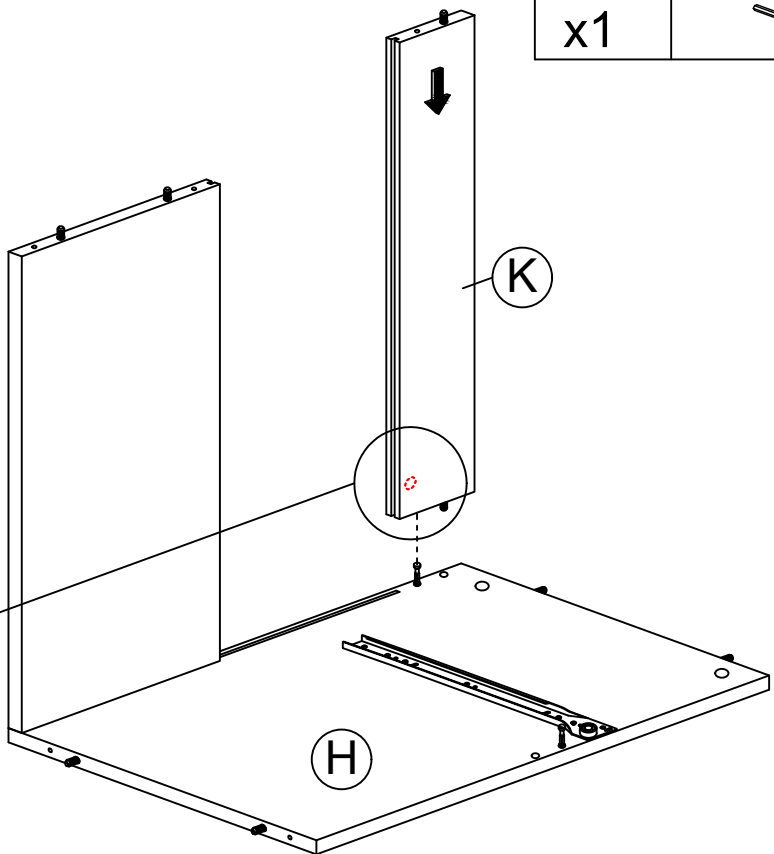
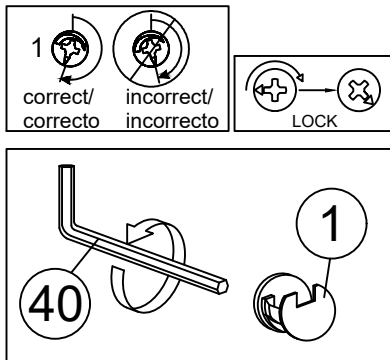
x1



Step 15

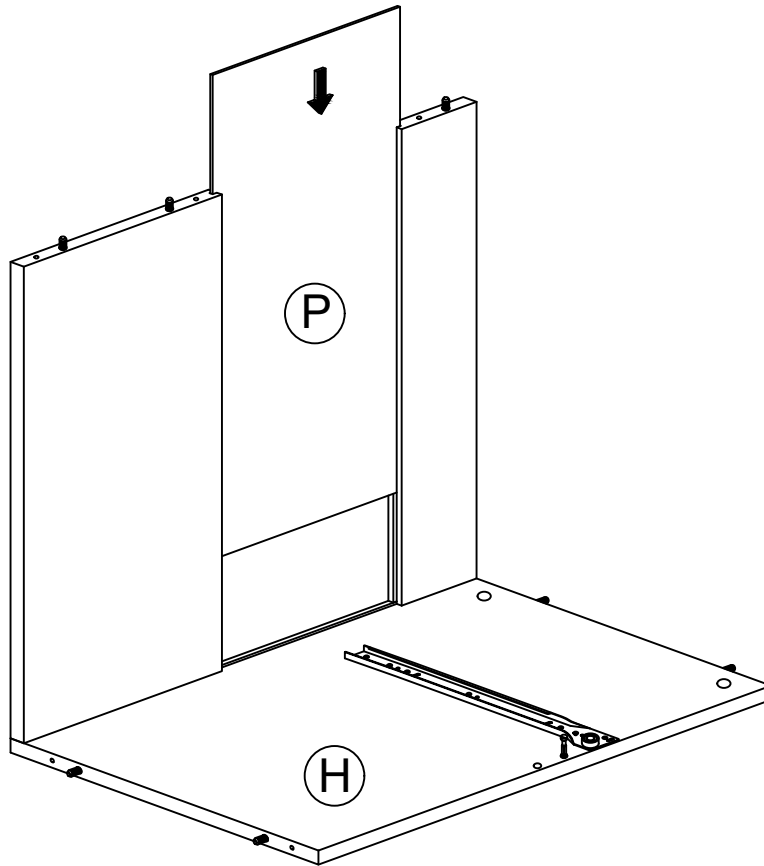
Required/Requis/Requerido

x1



ASSEMBLY INSTRUCTION

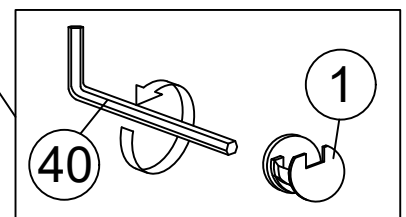
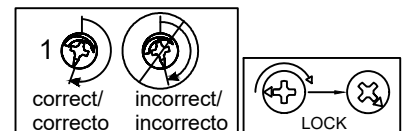
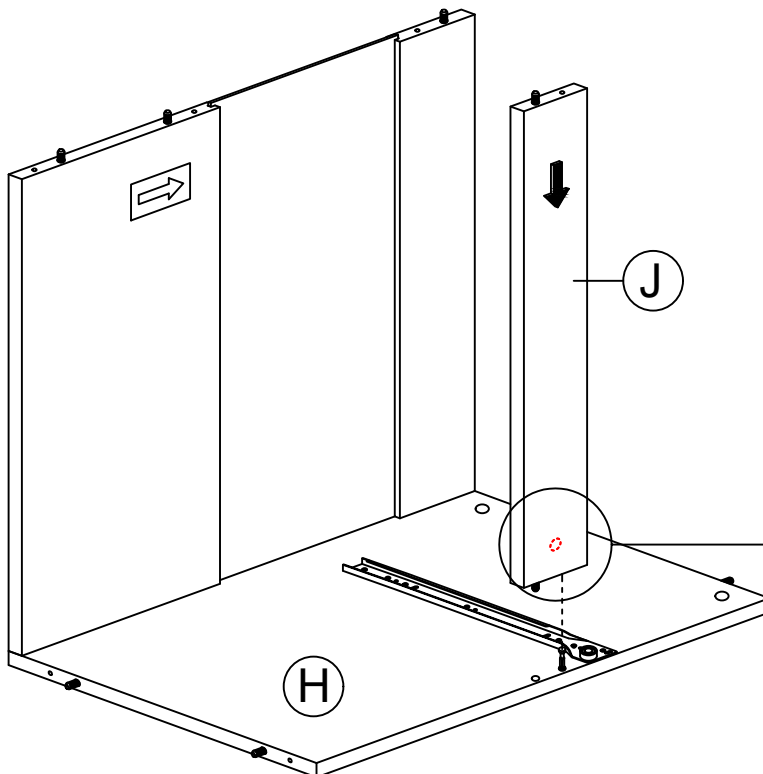
Step 16



Step 17

Required/Requis/Requerido

x1



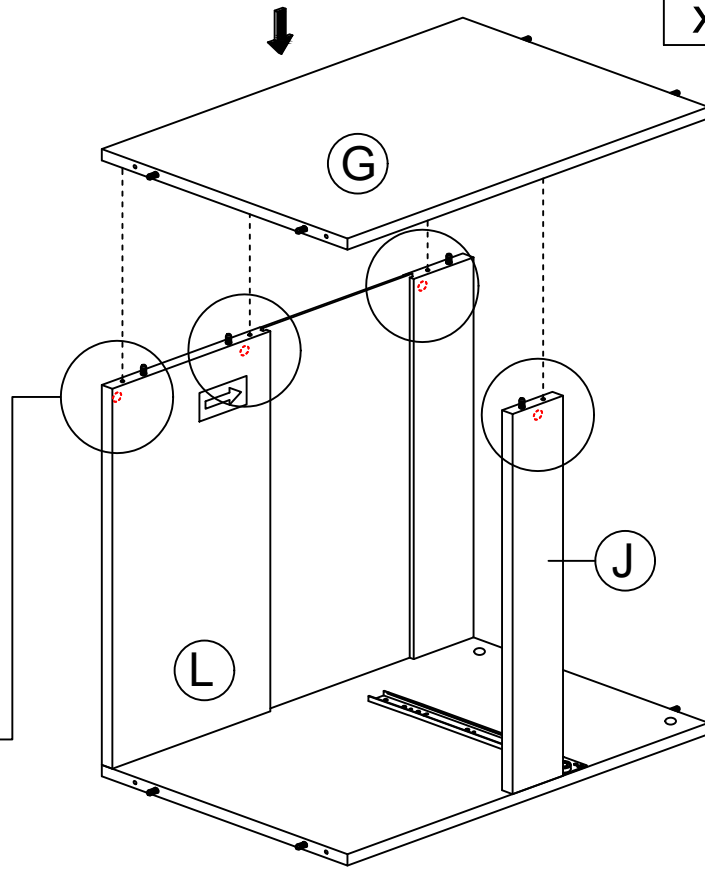
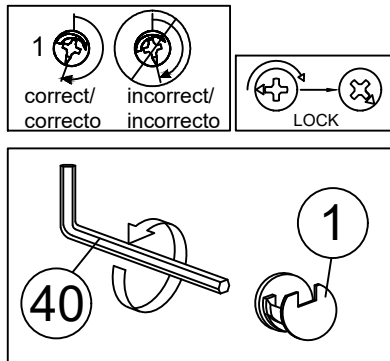
ASSEMBLY INSTRUCTION

Step 18

Required/Requis/Requerido

x1

40



Step 19

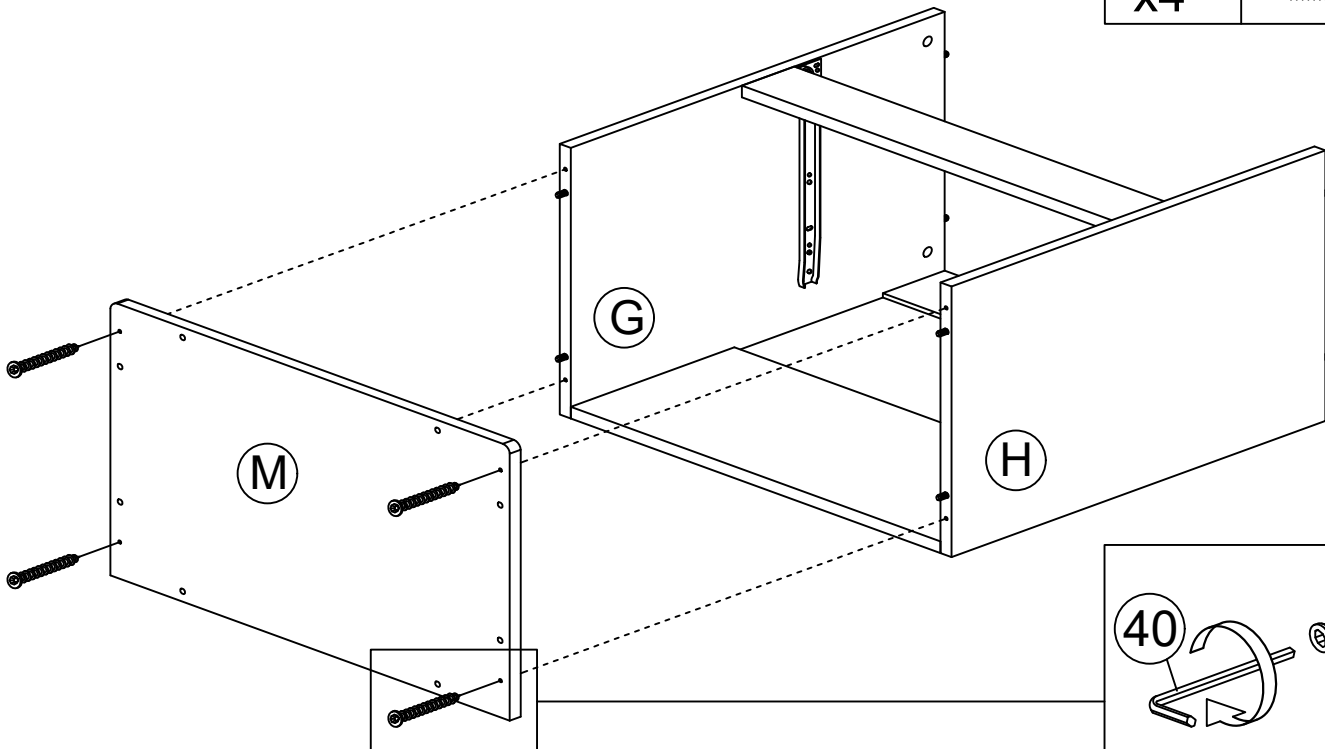
Required/Requis/Requerido

x1

40

x4

10



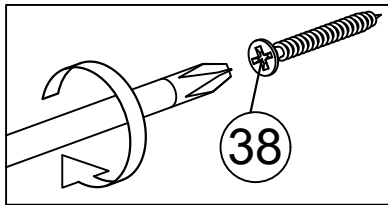
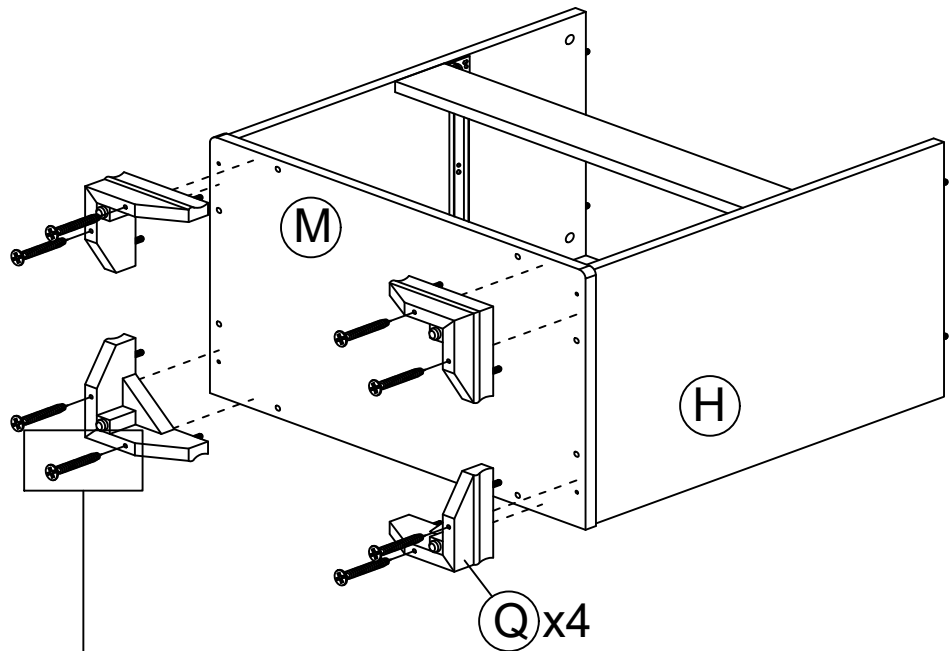
ASSEMBLY INSTRUCTION

Step 20

Required/Requis/Requerido

x8

 38

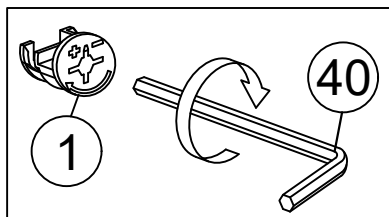
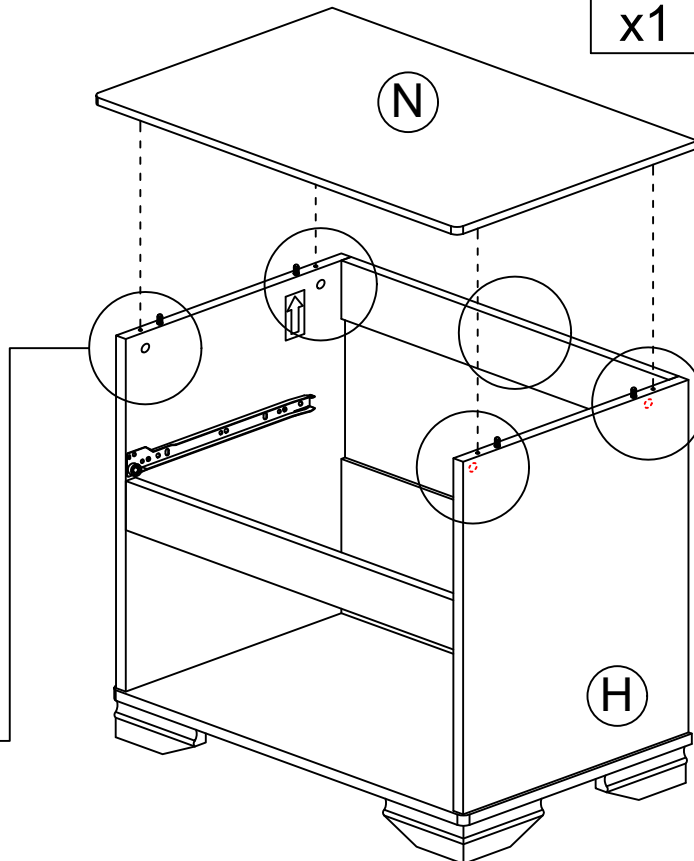


Step 21

Required/Requis/Requerido

x1

 40



ASSEMBLY INSTRUCTION

Completed

