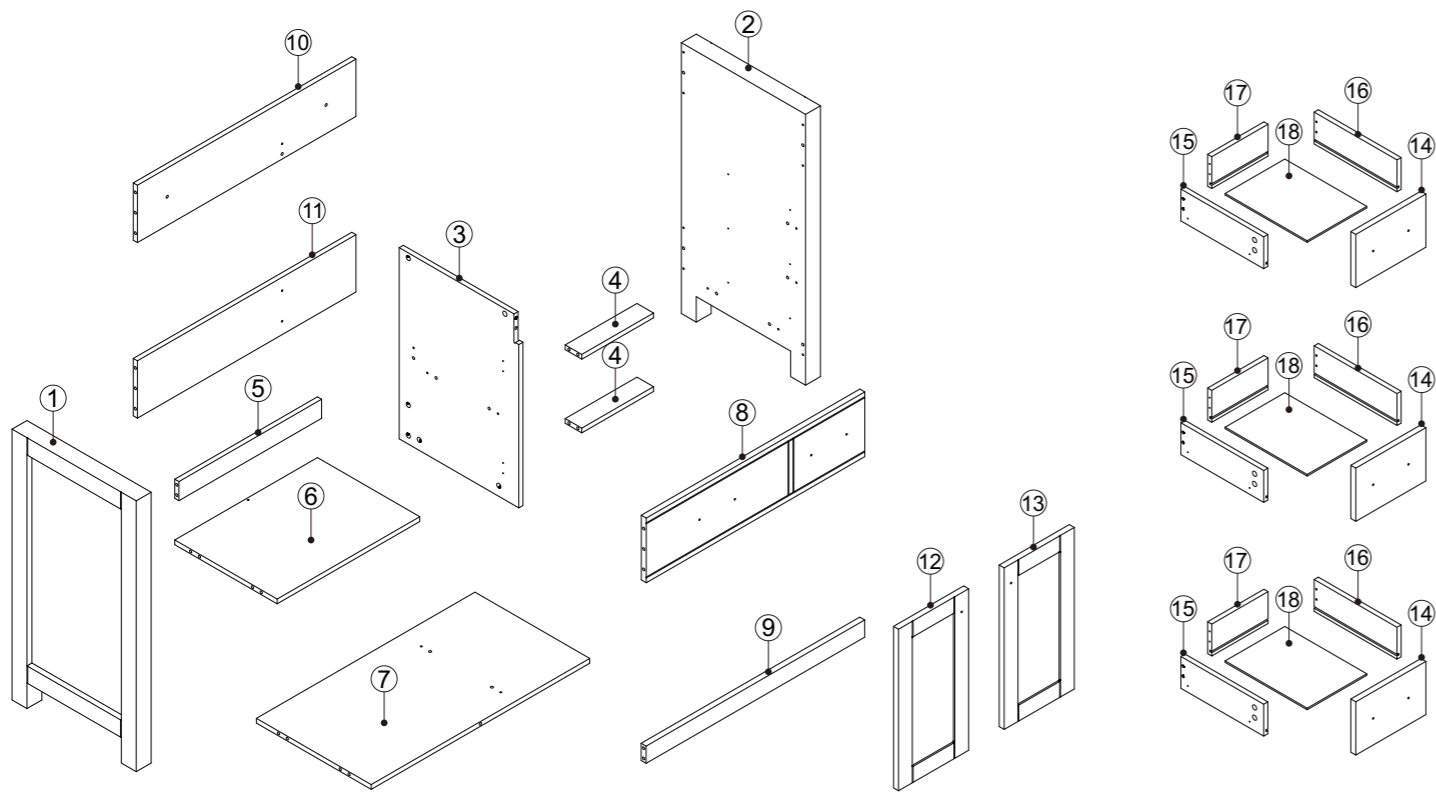
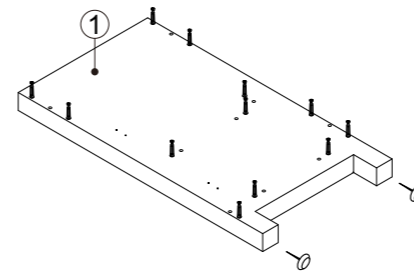


NO.	Description	Quantity
1	Left Side Board	1
2	Right Side Board	1
3	Connect board 3	1
4	Connect board 4	2
5	Connect board 5	1
6	Shelf	1
7	Bottom board	1
8	Connect board 8	1
9	Connect board 9	1
10	Connect board 10	1
11	Connect board 11	1
12	Door 12	1
13	Door 13	1
14	Drawer front	3
15	Left side board for drawer	3
16	Right side board for drawer	3
17	Back board for drawer	3
18	Bottom board for drawer	3
19	Three-in-one Connector	48
20	Wood Plug	26
21	Screws M4x14	60
22	Slider	6
23	Foot nail	4
24	Screws M4x30	12
25	Hinges	4
26	Handle Screws M4x22	12
27	Handle 27	2
28	Handle 28	5
29	Screws For Fix On The Wall M5.5x60	2

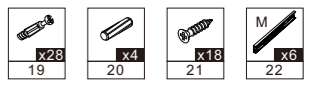
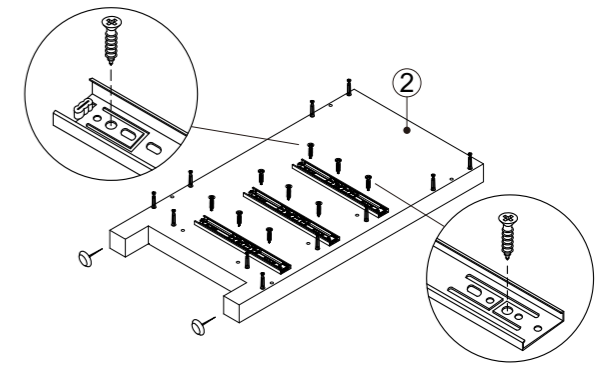


### Step 1

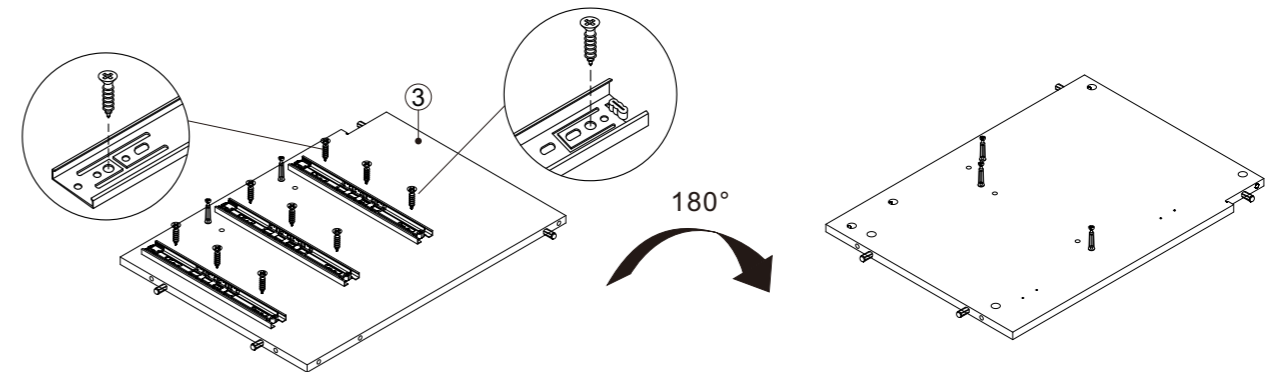
1-1



1-2

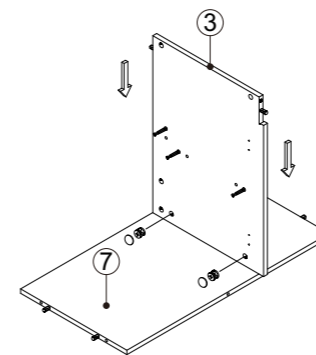


1-3

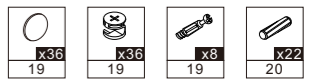
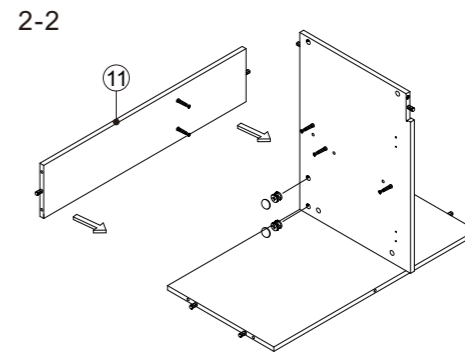


### Step 2

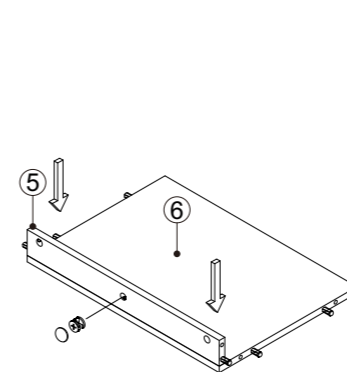
2-1



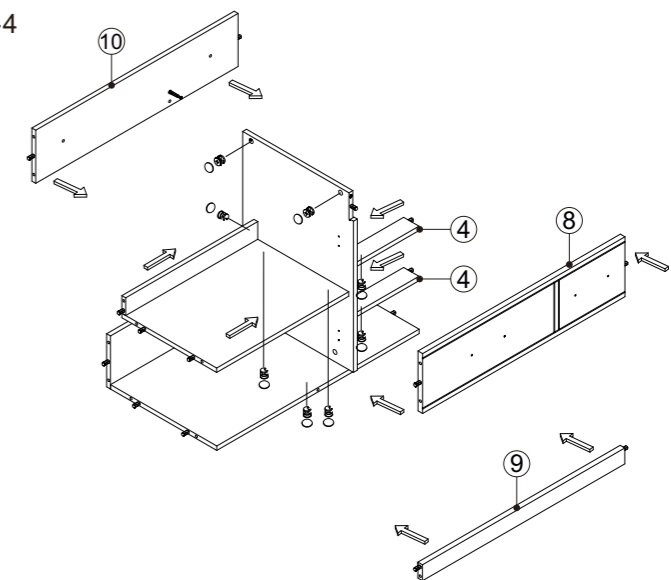
2-2



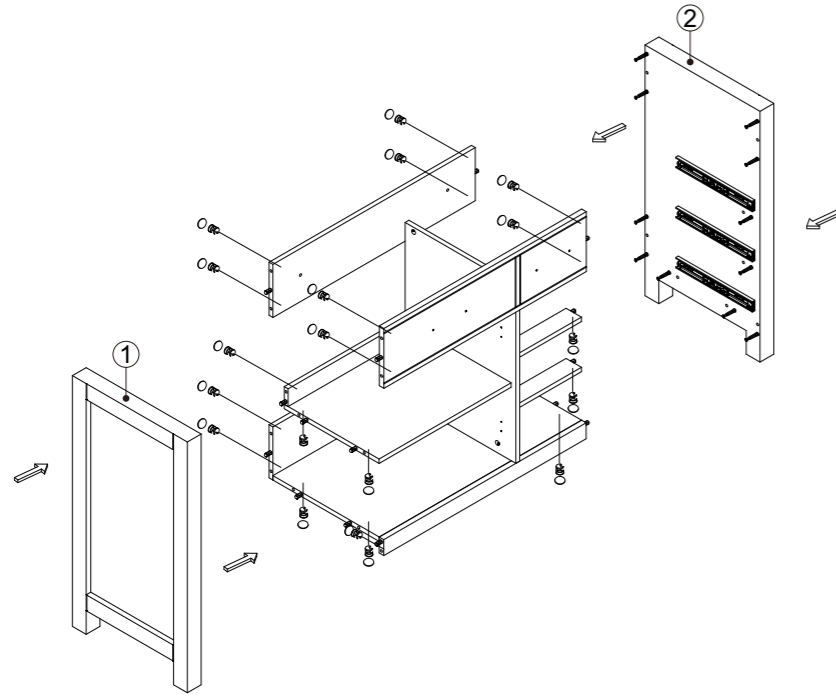
2-3



2-4

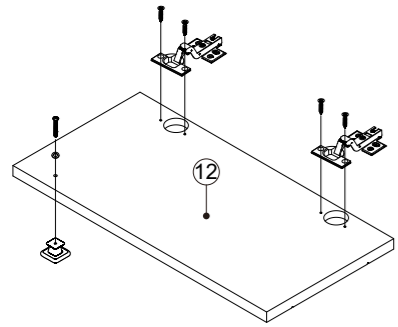


2-5

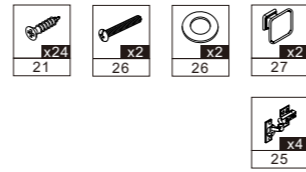
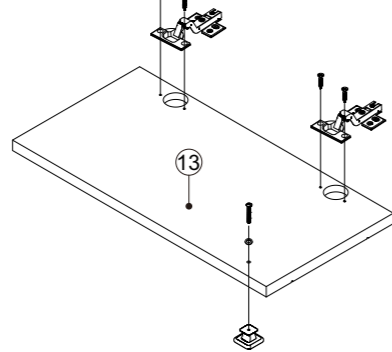


Step 3

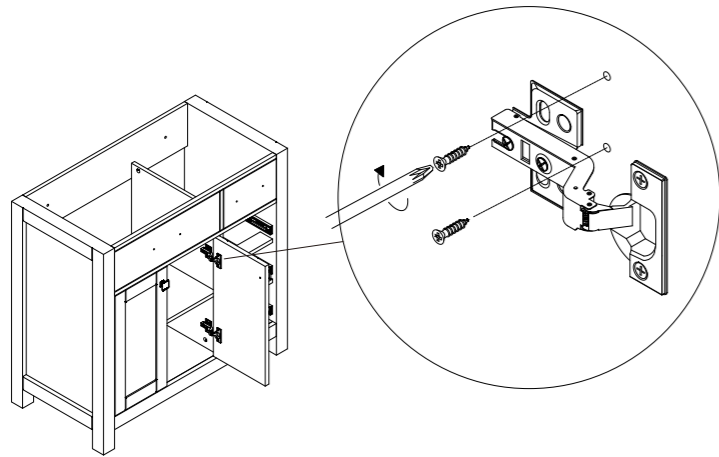
3-1



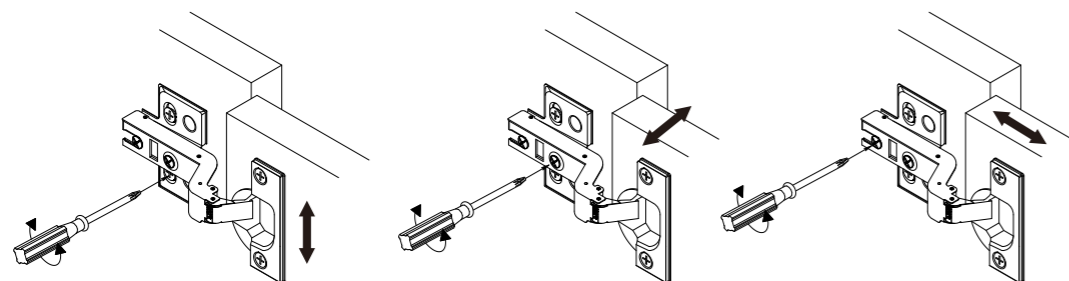
3-2



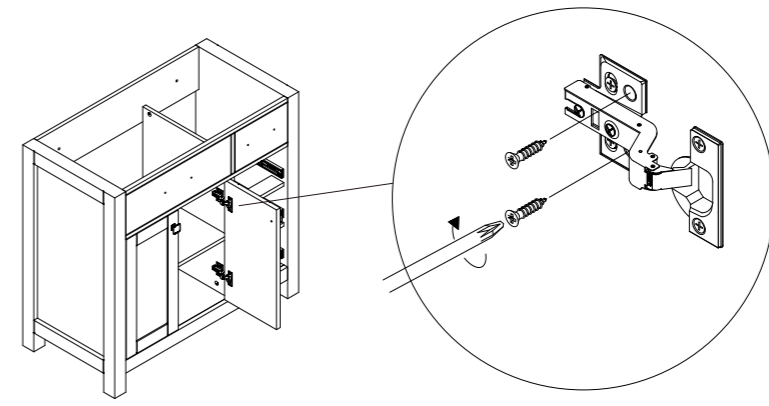
3-3



3-4

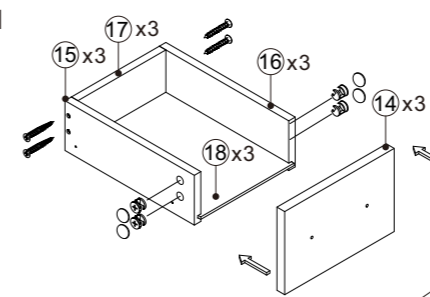


3-5

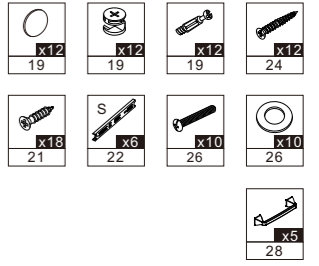
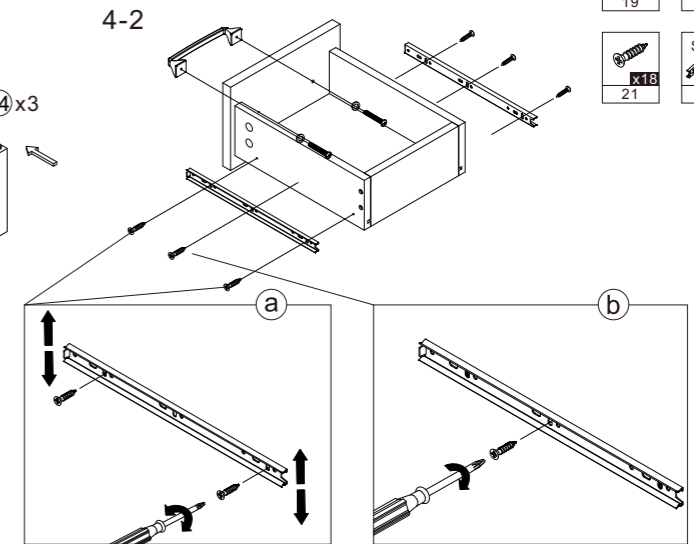


Step 4

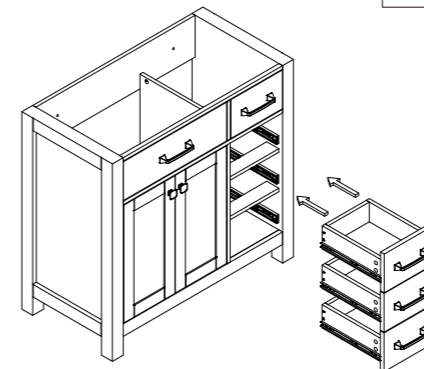
4-1



4-2



Step 5



Step 6

